



US00D655252S

(12) **United States Design Patent**
Okubo et al.

(10) **Patent No.:** **US D655,252 S**
(45) **Date of Patent:** **** Mar. 6, 2012**

(54) **MECHANICAL INTERLOCK UNIT FOR
MAGNETIC CONTACTOR**

(75) Inventors: **Koji Okubo**, Tokyo (JP); **Kouetsu Takaya**, Tokyo (JP); **Yasuhiro Naka**, Tokyo (JP); **Yutaka Nakamura**, Tokyo (JP); **Takashi Tsutsumi**, Tokyo (JP); **Hironobu Ariyoshi**, Tokyo (JP)

(73) Assignee: **Fuji Electric Fa Components & Systems Co., Ltd.**, Tokyo (JP)

(**) Term: **14 Years**

(21) Appl. No.: **29/390,745**

(22) Filed: **Apr. 28, 2011**

(30) **Foreign Application Priority Data**

Oct. 29, 2010 (JP) D2010-026013

(51) **LOC (9) Cl.** **13-03**

(52) **U.S. Cl.** **D13/159**

(58) **Field of Classification Search** D13/158,
D13/159, 160, 162, 184, 199; 200/43.14,
200/50.01, 50.21-50.23; 361/42, 44, 50,
361/71, 115, 608, 634

See application file for complete search history.

(56) **References Cited**

U.S. PATENT DOCUMENTS

D370,660 S * 6/1996 Bouteiller D13/159
D463,378 S * 9/2002 Allada et al. D13/159
2006/0152311 A1 * 7/2006 Ohkubo et al. 335/132
2008/0124971 A1 * 5/2008 Hoelzel 439/540.1
* cited by examiner

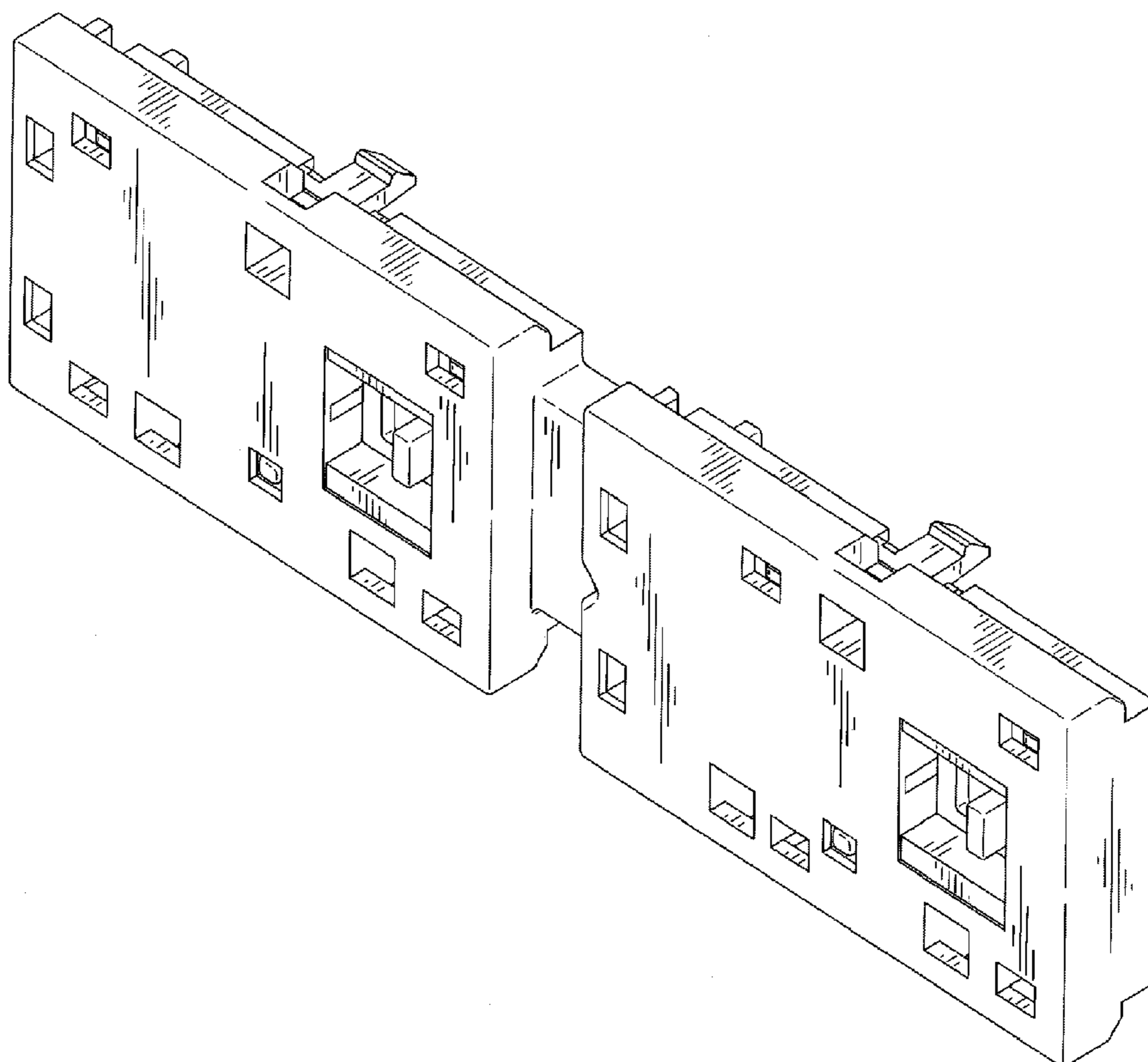
Primary Examiner — Thomas Johannes
(74) *Attorney, Agent, or Firm* — Young & Thompson

(57) **CLAIM**
The ornamental design for a mechanical interlock unit for magnetic contactor, as shown and described.

DESCRIPTION

FIG. 1 is a perspective view of front, top and right side of a mechanical interlock unit for magnetic contactor showing our new design;
FIG. 2 is a perspective view of rear, bottom and left side thereof;
FIG. 3 is a front view thereof;
FIG. 4 is a rear view thereof;
FIG. 5 is a left side view thereof;
FIG. 6 is a right side view thereof;
FIG. 7 is a top plan view thereof;
FIG. 8 is a bottom view thereof; and,
FIG. 9 is a reference view of usage thereof.
The portions of the article in broken lines are shown for illustrative purposes only and form no part of the claimed design.

1 Claim, 6 Drawing Sheets



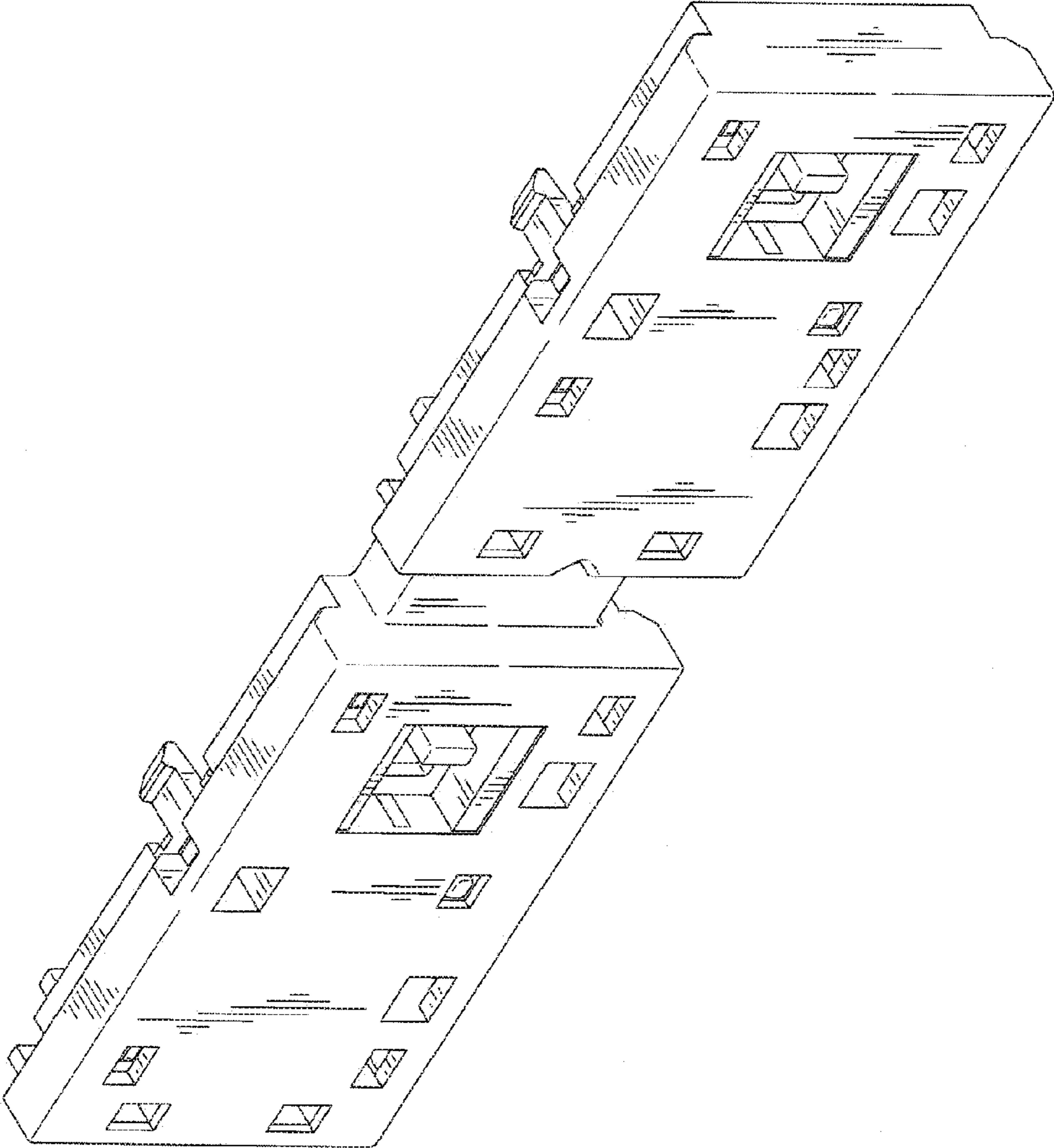


FIG. 1

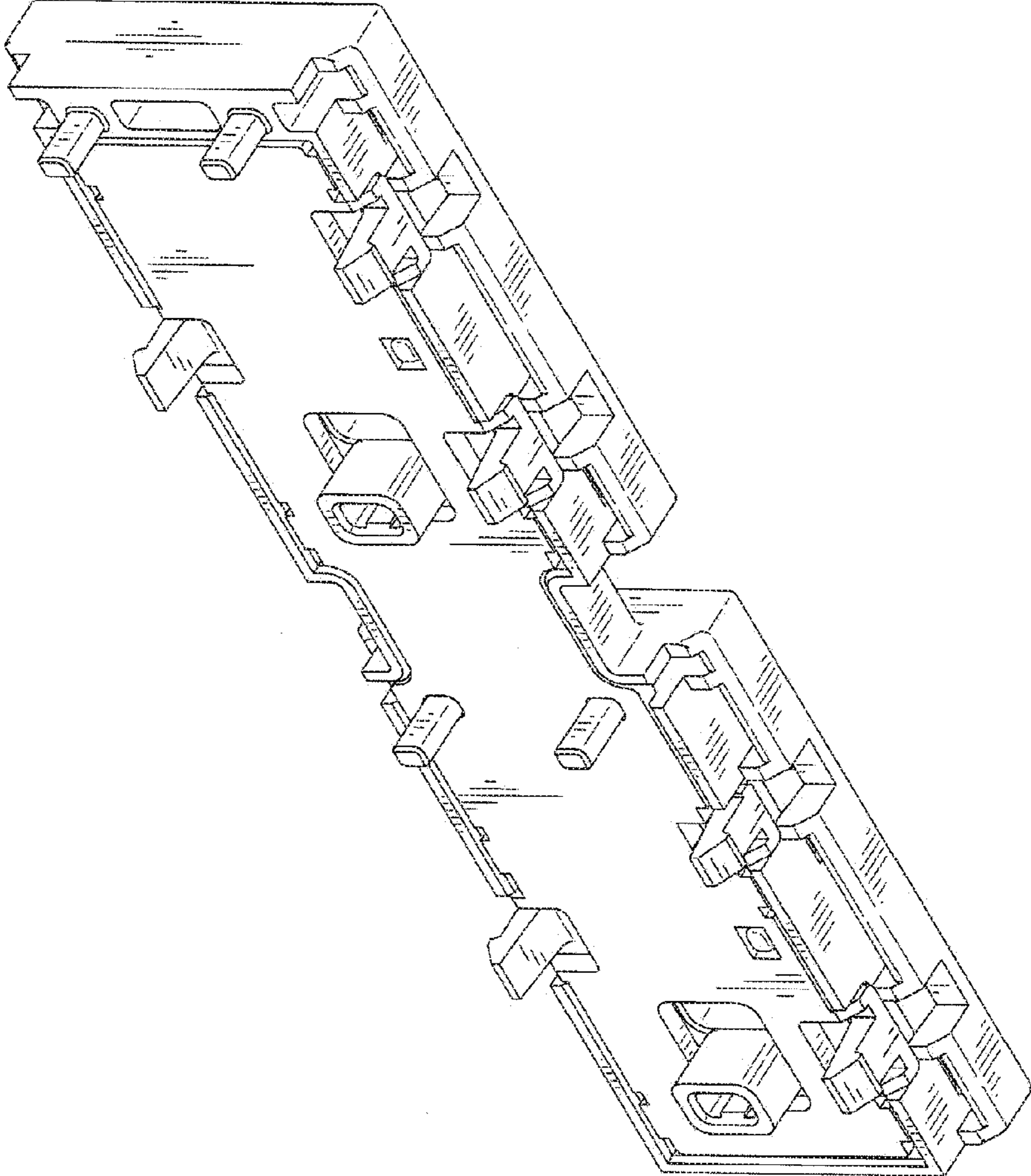


FIG. 2

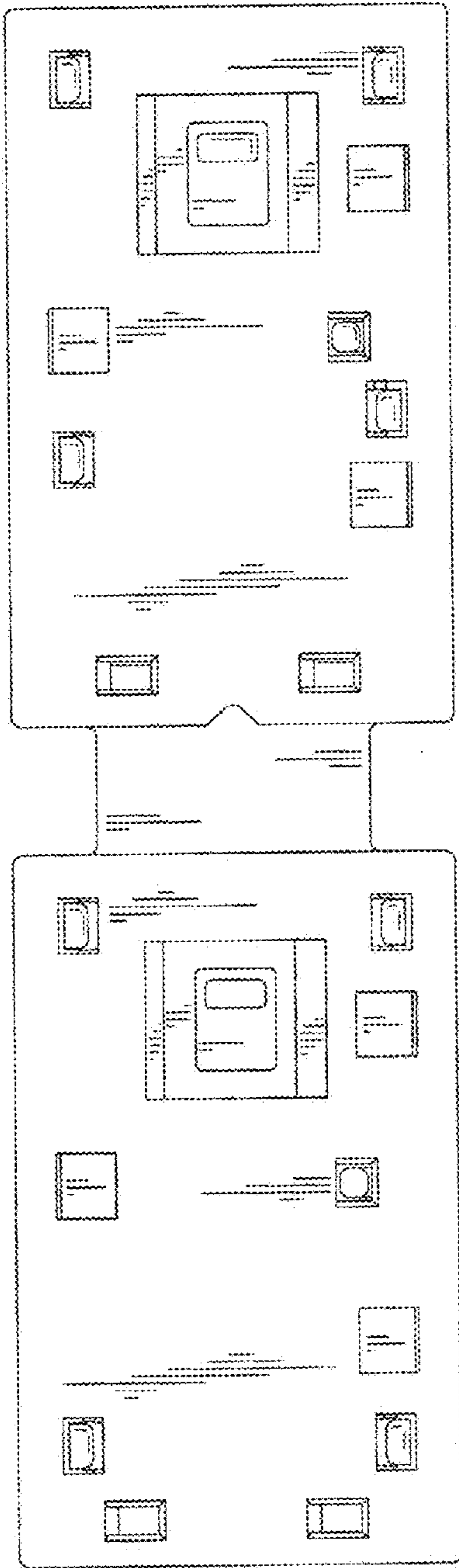


FIG. 3

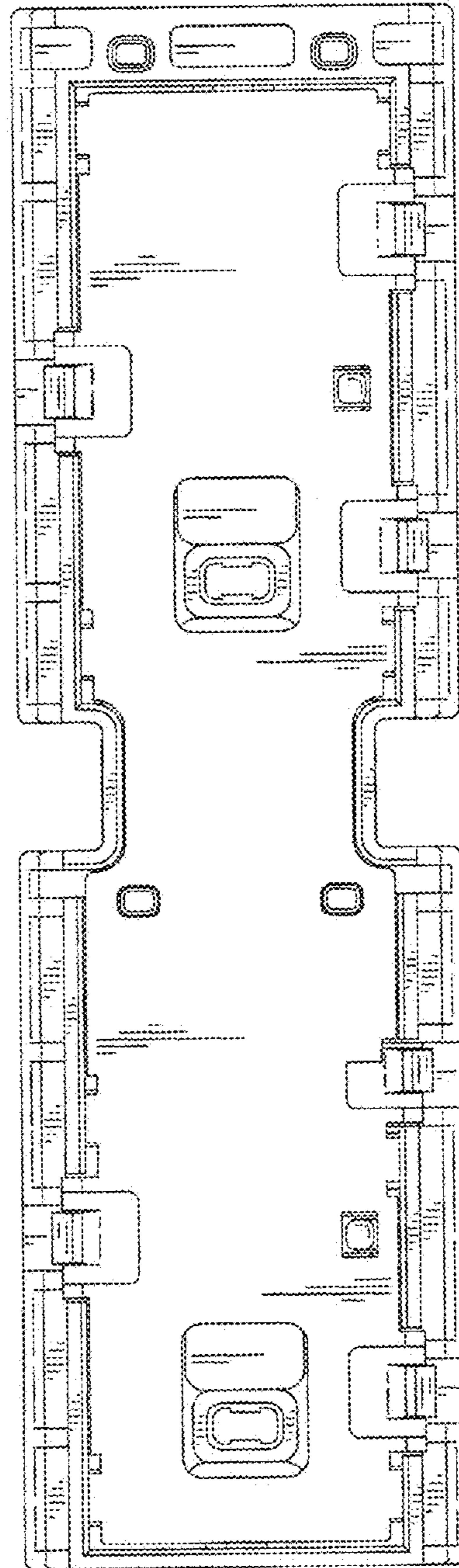


FIG. 4

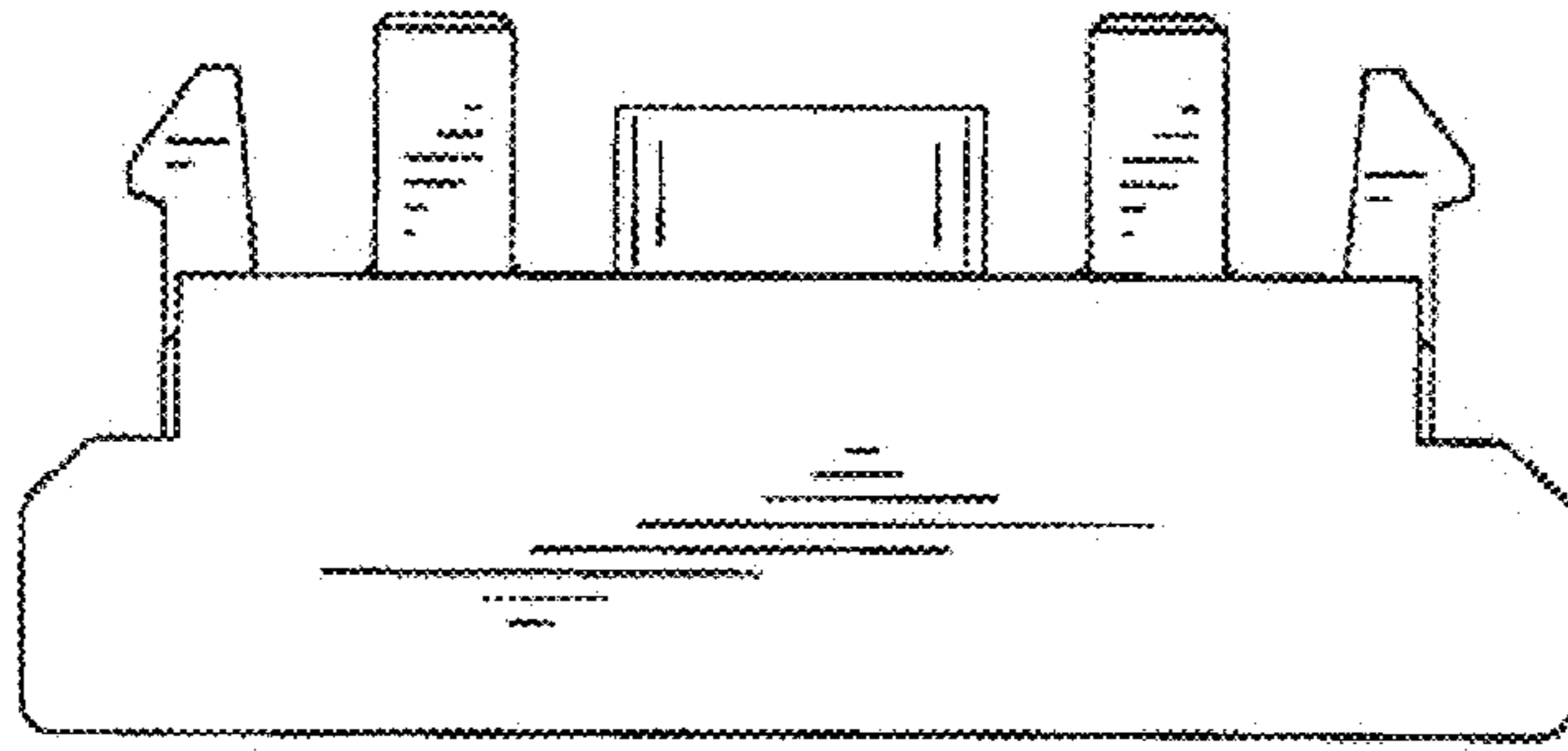


FIG. 6

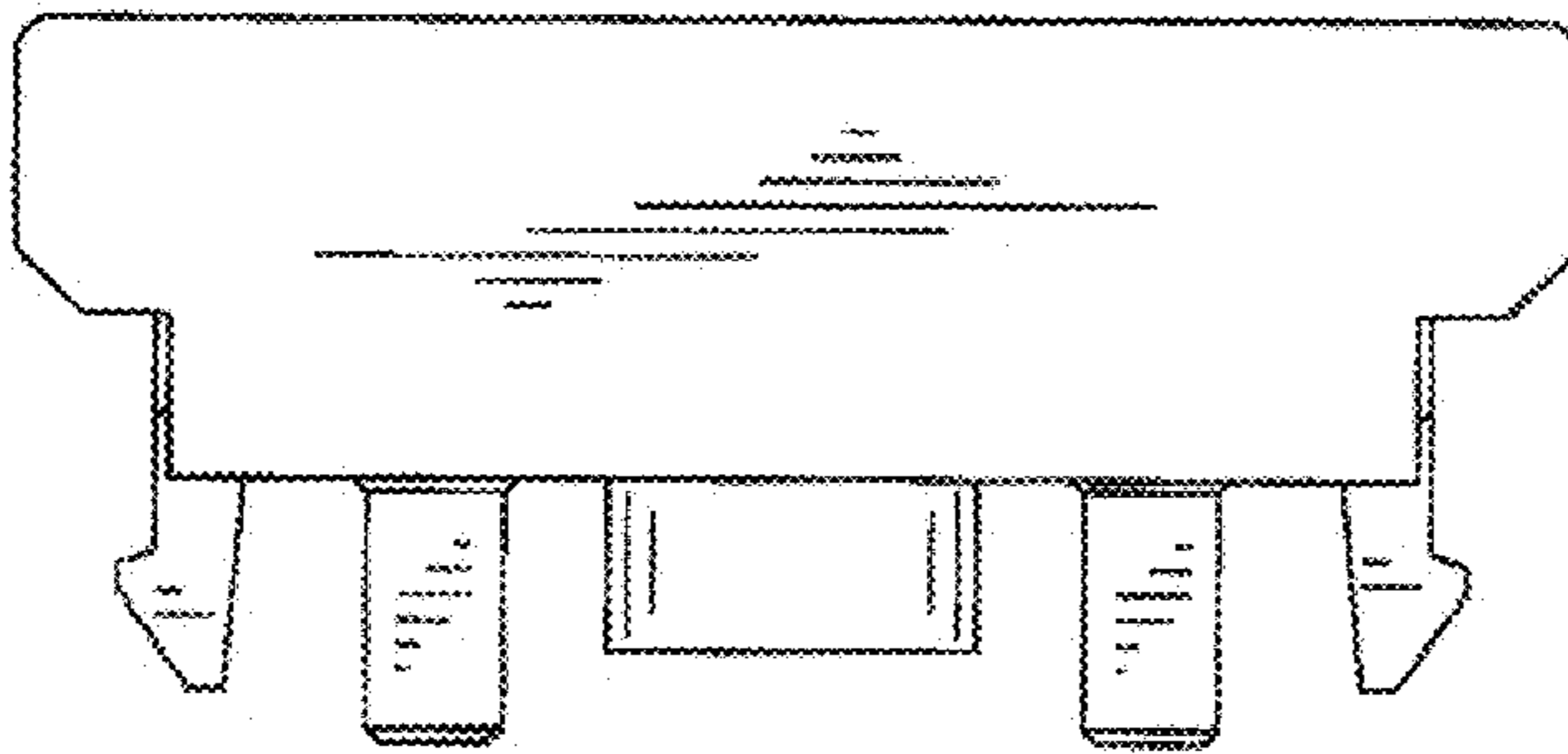


FIG. 5

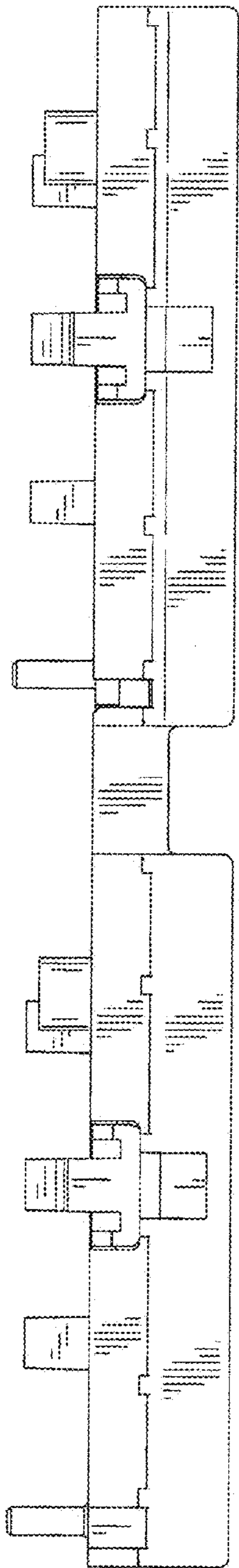


FIG. 7

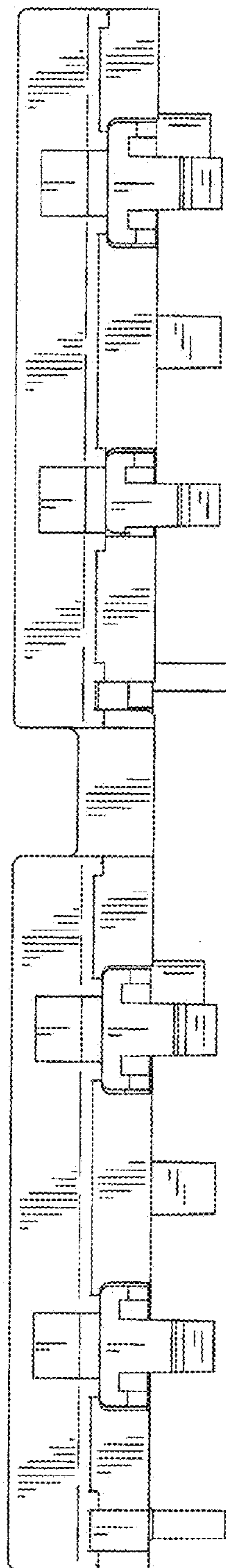


FIG. 8

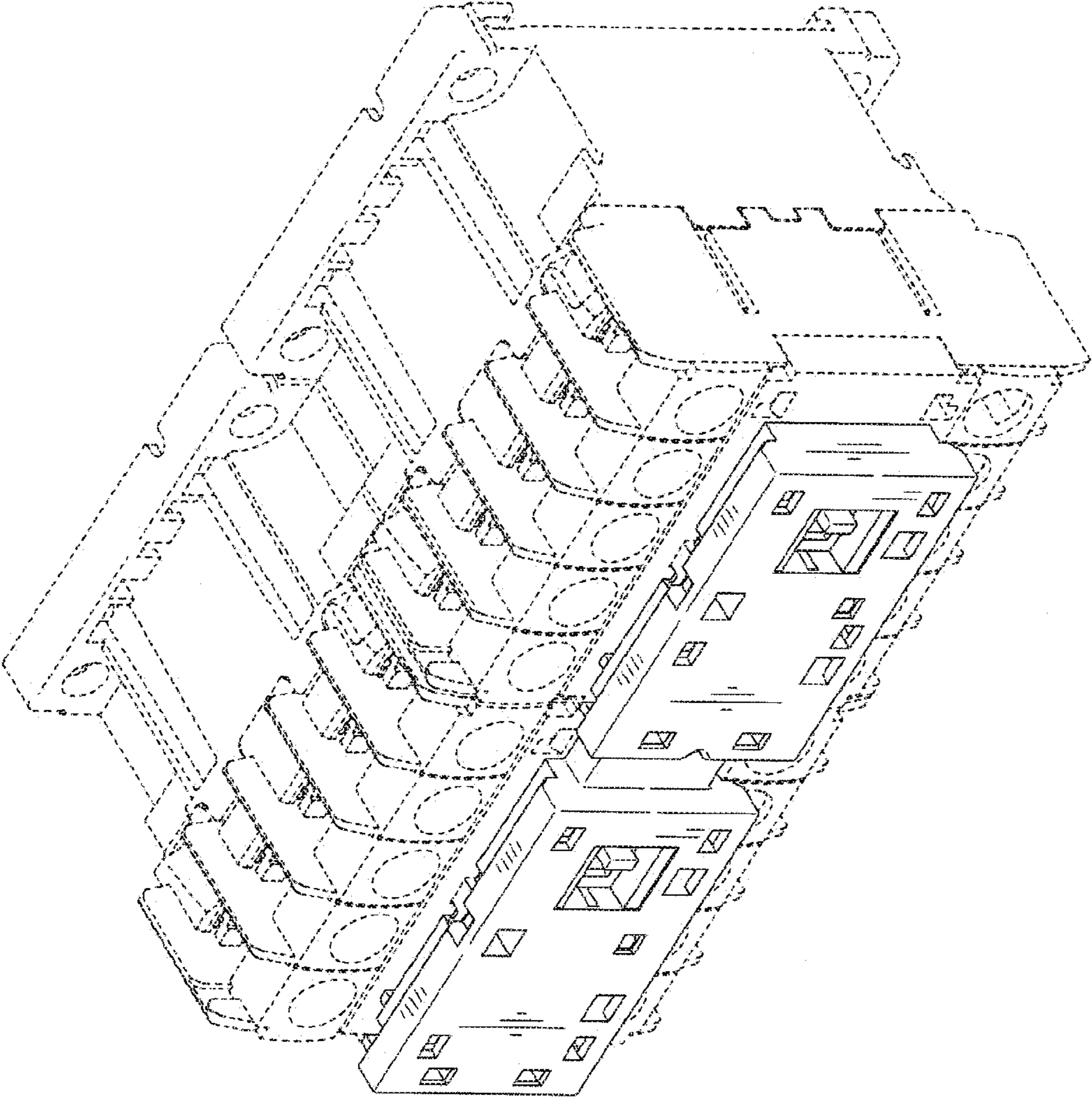


FIG. 9