



US00D655251S

(12) **United States Design Patent**  
**Okubo et al.**

(10) **Patent No.:** **US D655,251 S**  
(45) **Date of Patent:** **\*\* Mar. 6, 2012**

(54) **AUXILIARY CONTACT BLOCK FOR  
MAGNETIC CONTACTOR**

(75) Inventors: **Koji Okubo**, Tokyo (JP); **Kouetsu Takaya**, Tokyo (JP); **Yasuhiro Naka**, Tokyo (JP); **Yutaka Nakamura**, Tokyo (JP); **Takashi Tsutsumi**, Tokyo (JP); **Hironobu Ariyoshi**, Tokyo (JP)

(73) Assignee: **Fuji Electric FA Components & Systems Co., Ltd.**, Tokyo (JP)

(\*\*) Term: **14 Years**

(21) Appl. No.: **29/390,632**

(22) Filed: **Apr. 27, 2011**

(30) **Foreign Application Priority Data**

Oct. 29, 2010 (JP) ..... D2010-026009

(51) **LOC (9) Cl.** ..... **13-03**

(52) **U.S. Cl.** ..... **D13/159**

(58) **Field of Classification Search** ..... D13/158,  
D13/159, 160, 162, 184, 199; 200/43.14,  
200/50.01, 50.21-50.23; 361/42, 44, 50,  
361/71, 115, 608, 634

See application file for complete search history.

(56) **References Cited**

U.S. PATENT DOCUMENTS

D406,564 S \* 3/1999 Gonser ..... D13/159  
D479,204 S \* 9/2003 Nurdogan ..... D13/159  
D481,362 S \* 10/2003 Nurdogan ..... D13/159  
D621,369 S \* 8/2010 Lin ..... D13/159  
D640,989 S \* 7/2011 Detemple et al. .... D13/159

\* cited by examiner

*Primary Examiner* — Thomas Johannes

(74) *Attorney, Agent, or Firm* — Young & Thompson

(57) **CLAIM**

The ornamental design for an auxiliary contact block for magnetic contactor, as shown and described.

**DESCRIPTION**

FIG. 1 is a perspective view of front, top and right side of an auxiliary contact block for magnetic contactor showing our new design;

FIG. 2 is a perspective view of rear, bottom and left side thereof;

FIG. 3 is a front view thereof;

FIG. 4 is a rear view thereof;

FIG. 5 is a left side view thereof;

FIG. 6 is a right side view thereof;

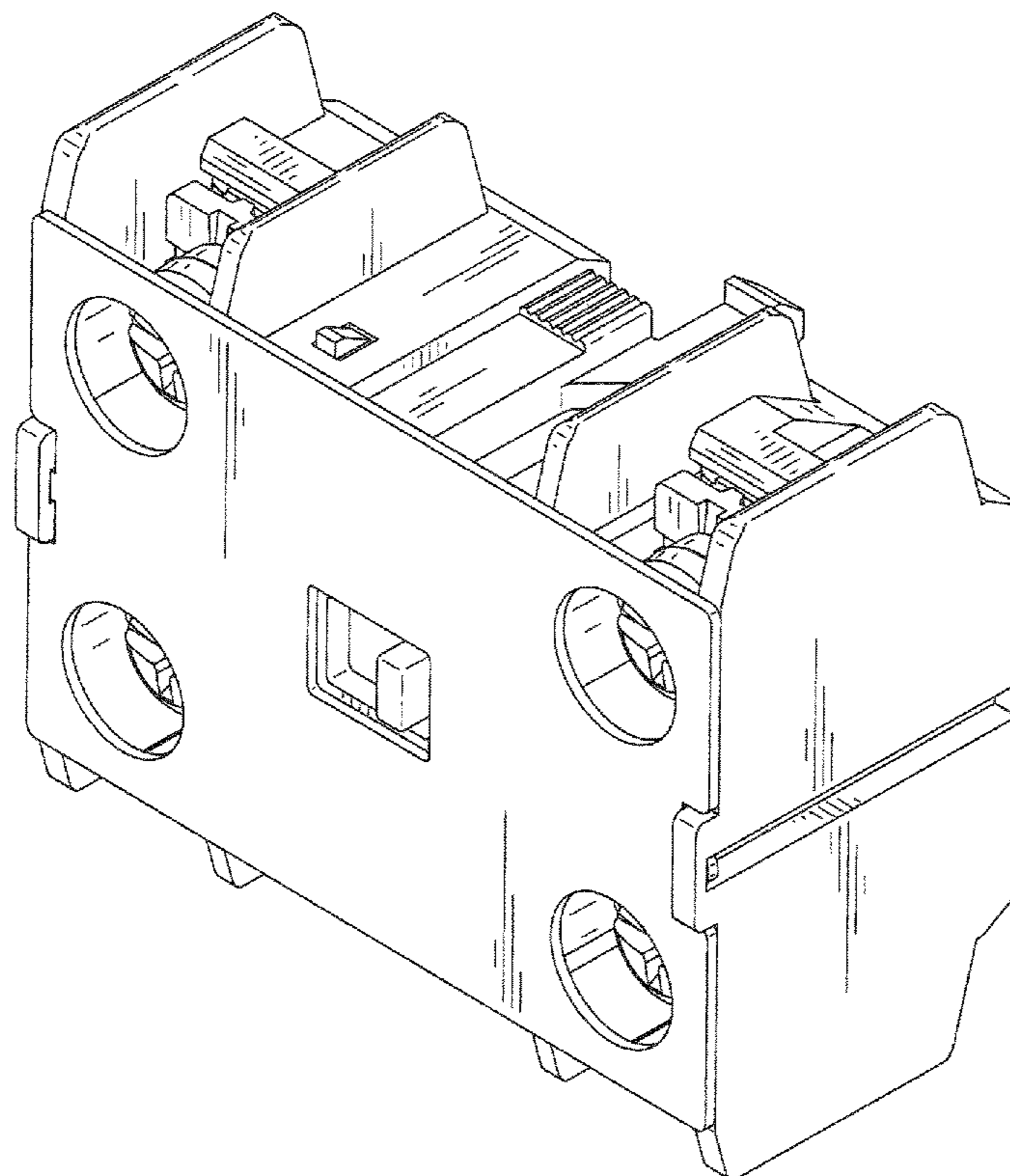
FIG. 7 is a top plan view thereof;

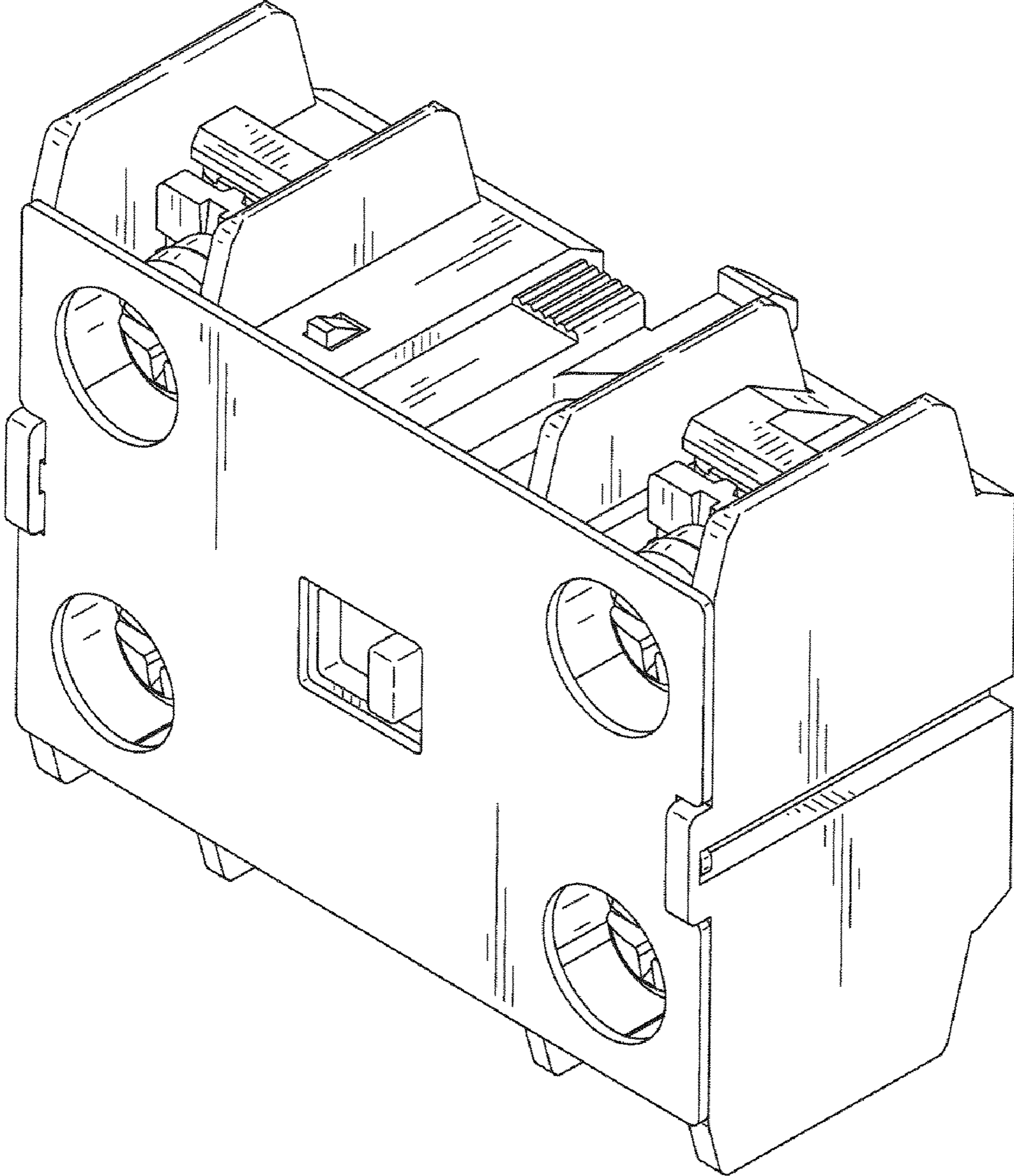
FIG. 8 is a bottom view thereof; and,

FIG. 9 is a reference view of usage thereof.

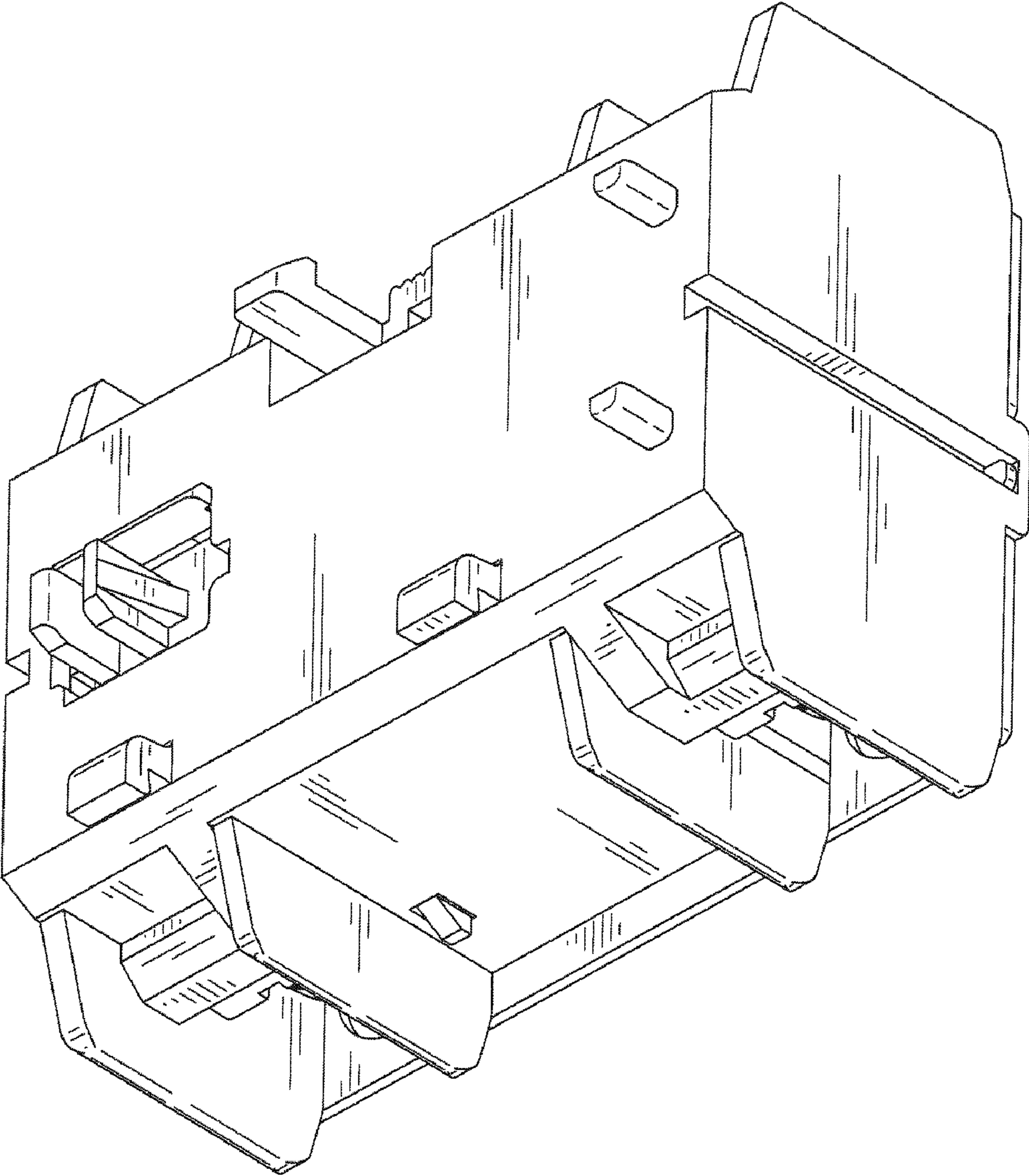
The portions of the article in broken lines are shown for illustrative purposes only and form no part of the claimed design.

**1 Claim, 6 Drawing Sheets**





**FIG. 1**



**FIG. 2**

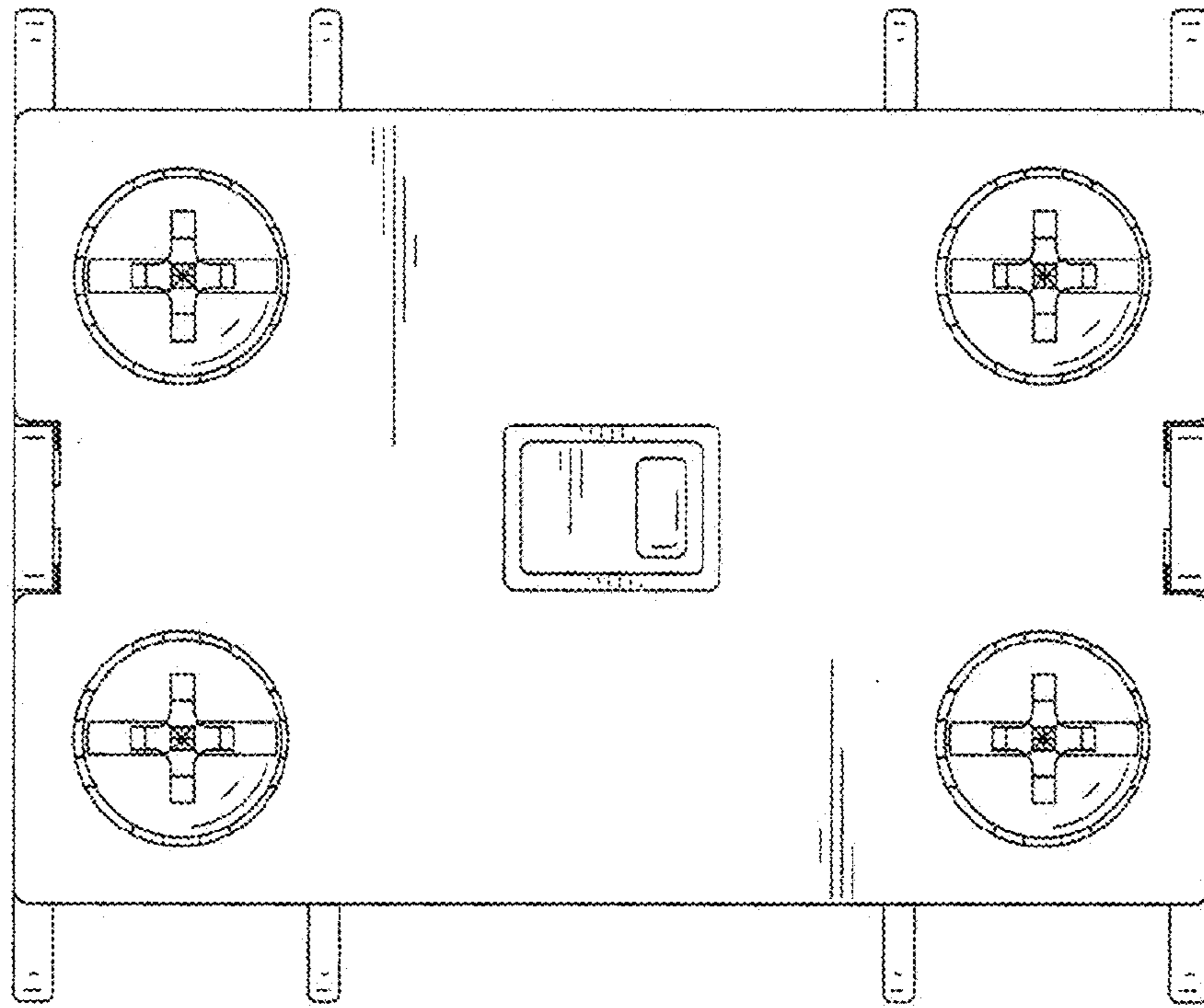


FIG. 3

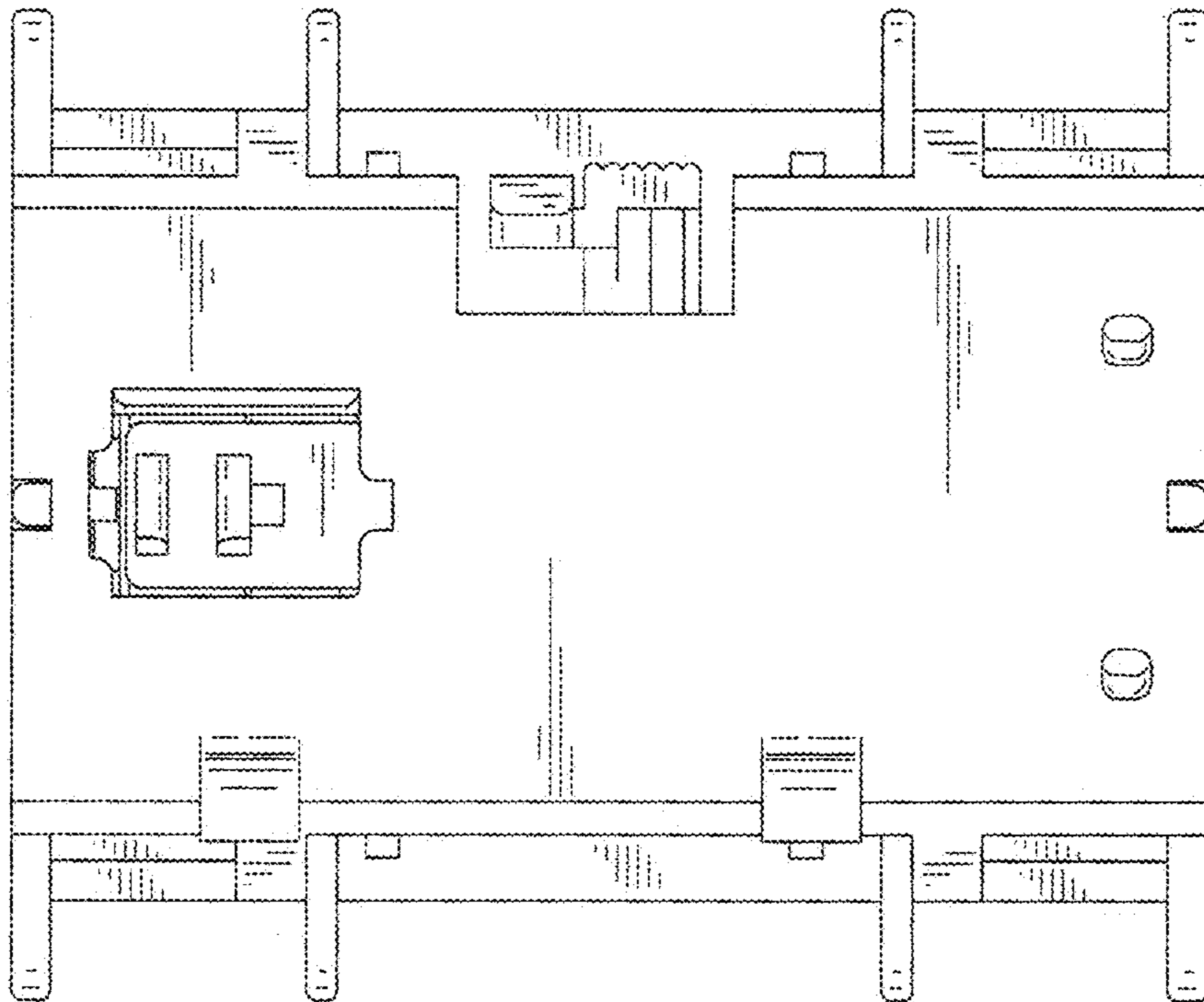


FIG. 4

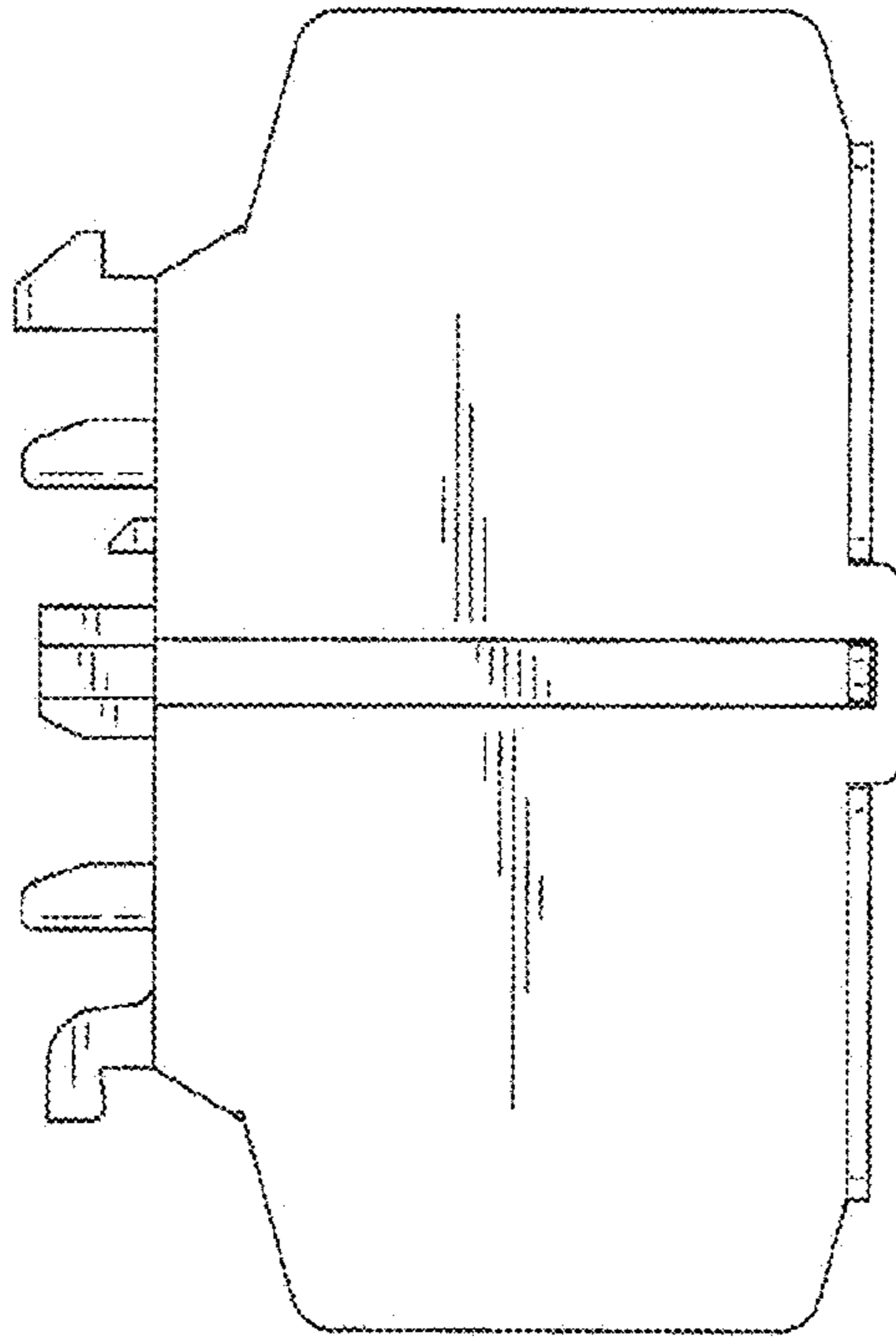


FIG. 5

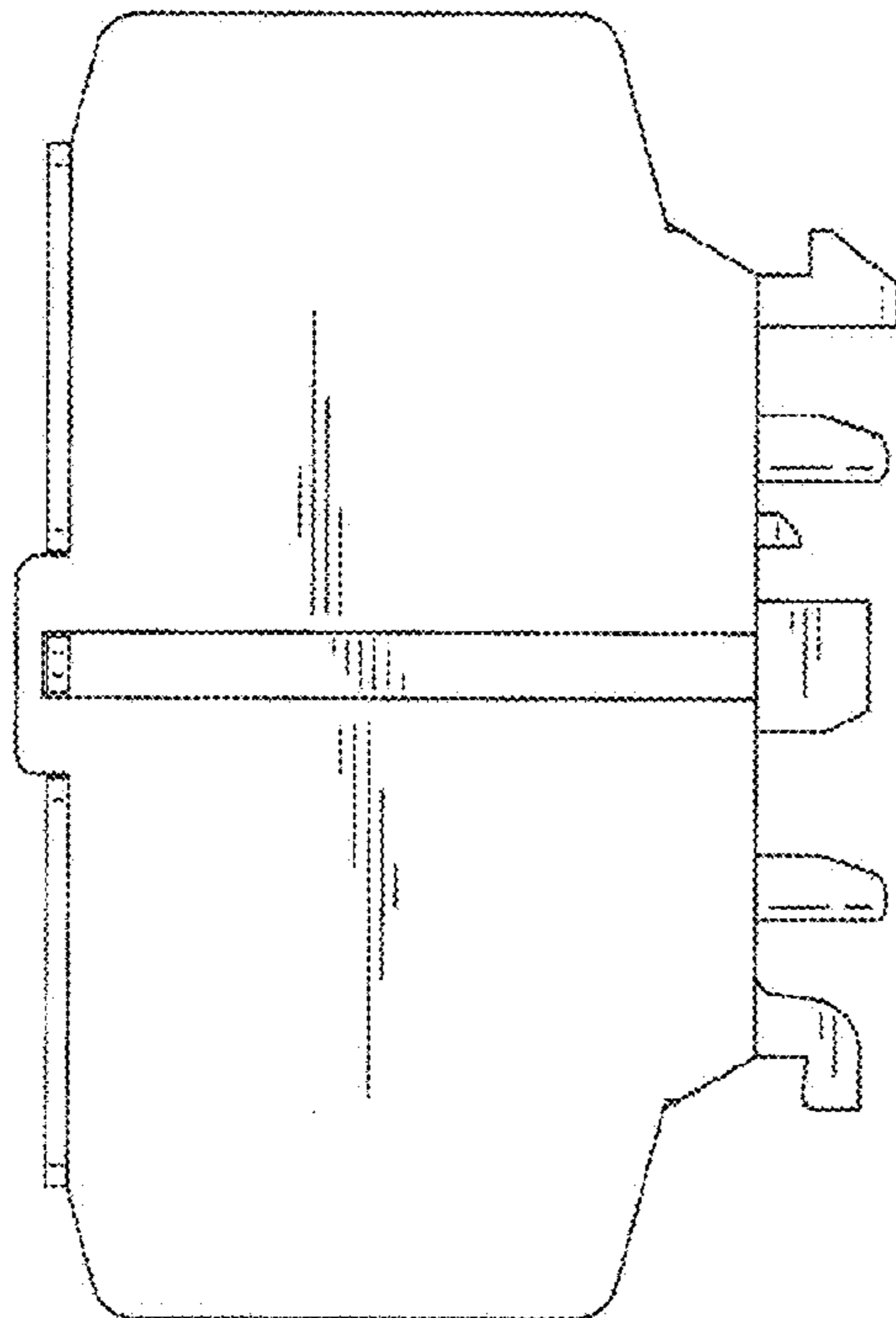


FIG. 6

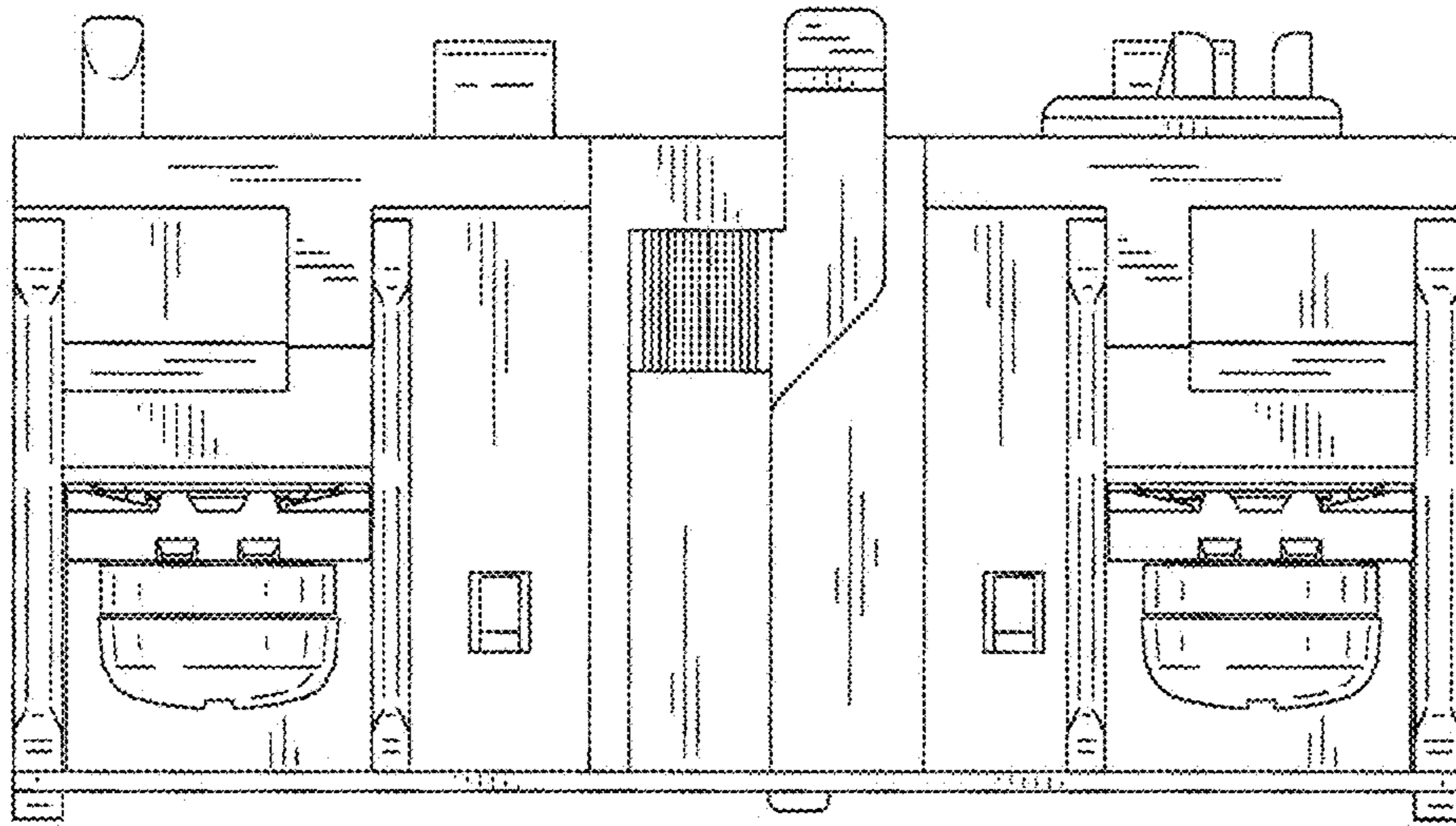


FIG. 7

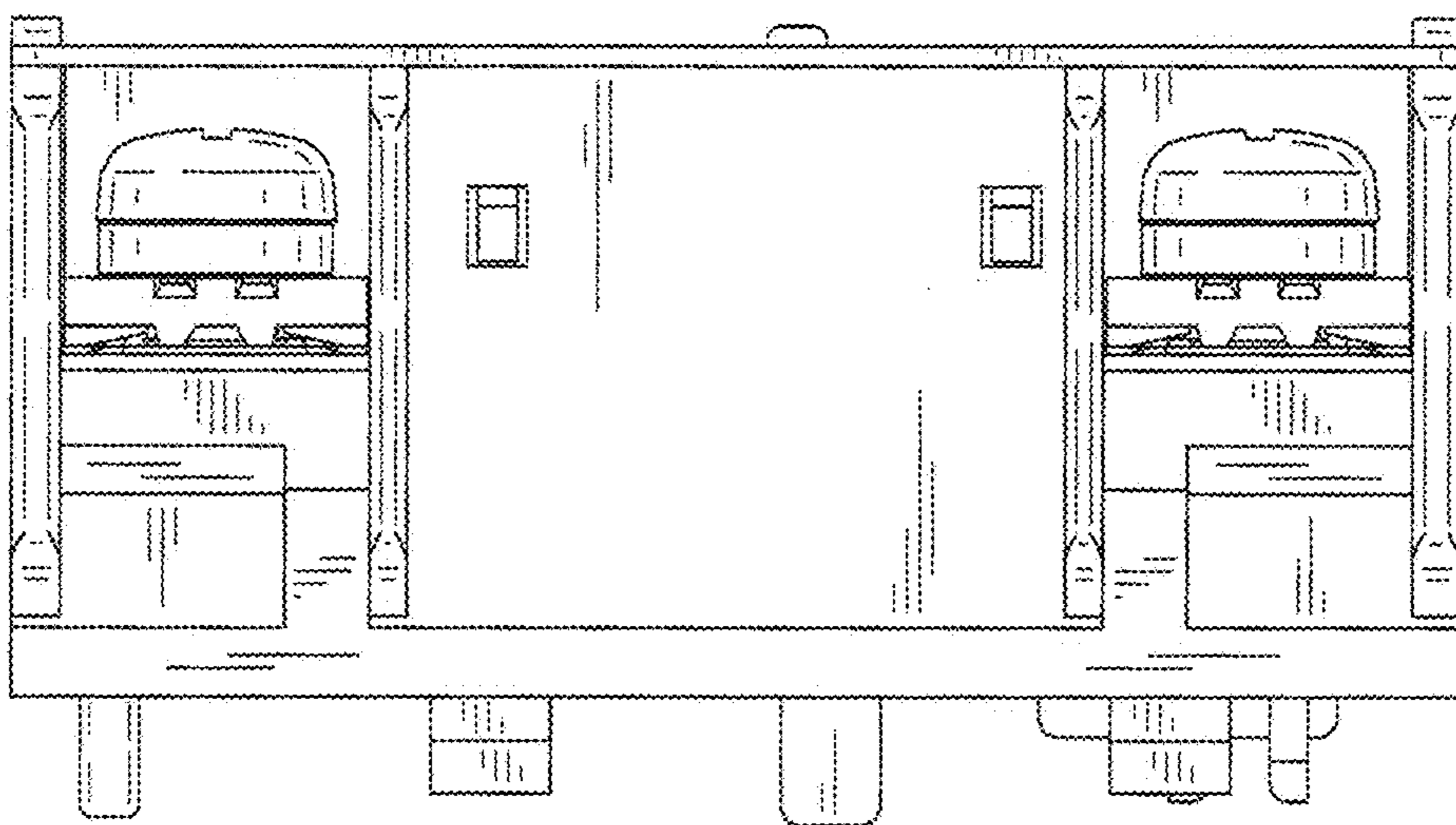
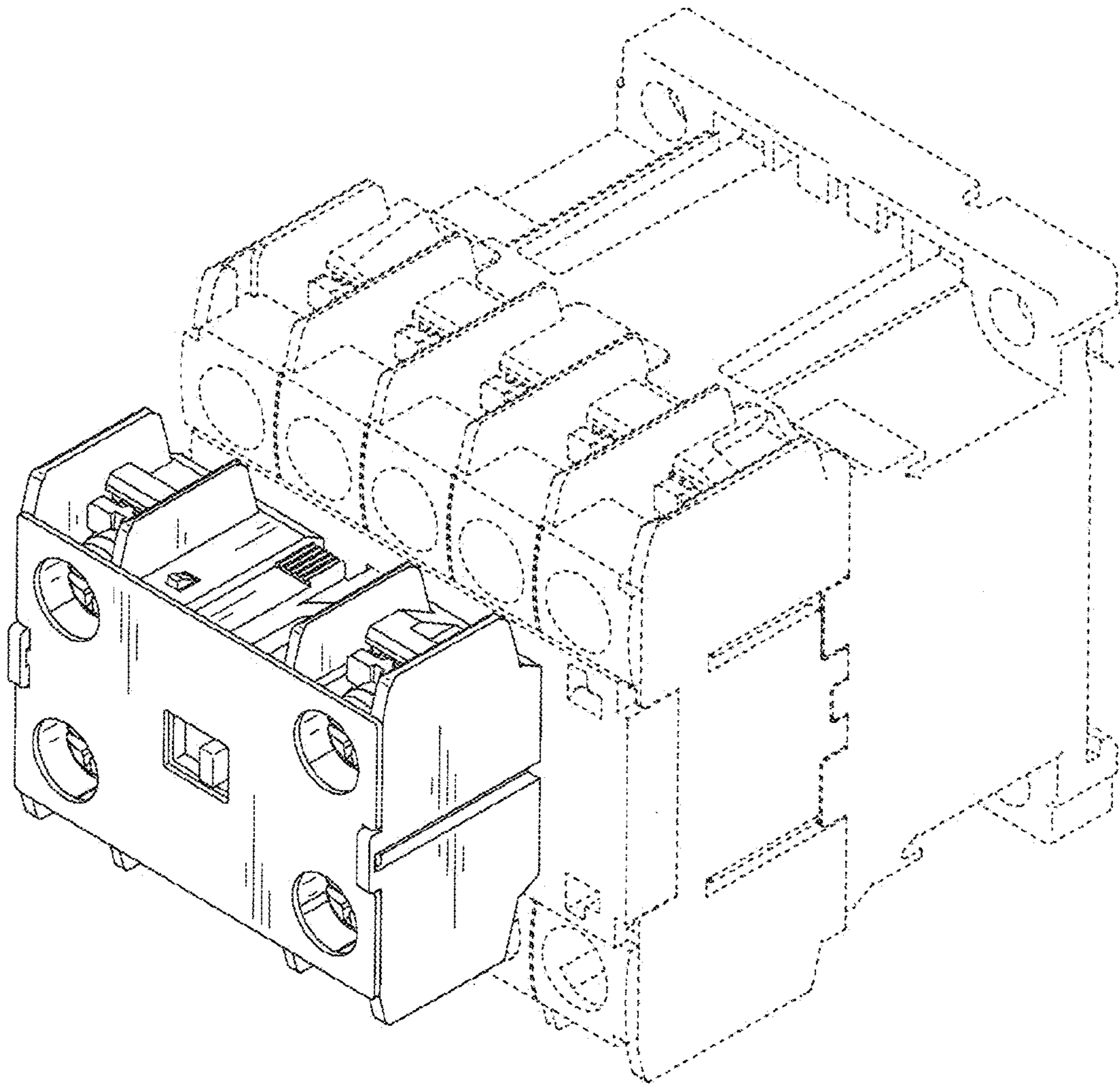


FIG. 8



**FIG. 9**