



US00D655250S

(12) **United States Design Patent**  
**Jokiniemi et al.**

(10) **Patent No.:** **US D655,250 S**  
(45) **Date of Patent:** **\*\* Mar. 6, 2012**

(54) **SWITCH**

(75) Inventors: **Timo Jokiniemi**, Merikaarto (FI); **Harri Pollari**, Vaasa (FI); **Martti Taimisto**, Vaasa (FI); **Janne Rosenberg**, Vaasa (FI); **BaiQin Liang**, Jiangmen (CN); **JinRui Cao**, Jiangmen (CN)

(73) Assignee: **ABB Oy**, Helsinki (FI)

(\*\*) Term: **14 Years**

(21) Appl. No.: **29/396,289**

(22) Filed: **Jun. 28, 2011**

**Related U.S. Application Data**

(62) Division of application No. 29/365,010, filed on Jul. 1, 2010, now Pat. No. Des. 643,373.

(30) **Foreign Application Priority Data**

May 20, 2010 (EM) ..... 001215420

(51) **LOC (9) Cl.** ..... **13-03**

(52) **U.S. Cl.** ..... **D13/158**

(58) **Field of Classification Search** ..... D13/110, D13/123, 147, 151, 158-177, 184; 200/5 R, 200/295, 308, 310, 313, 314, 329, 340, 1 R, 200/6 R, 5 A, 296, 302.3, 315, 330, 334, 200/339, 341, 520, 525, 553; 335/131-133, 335/196, 202, 262, 251; 439/491, 535

See application file for complete search history.

(56) **References Cited**

U.S. PATENT DOCUMENTS

D479,204 S	9/2003	Nurdogan	
D571,303 S	6/2008	Jokiniemi et al.	
D606,026 S	12/2009	Azzola et al.	
7,863,530 B2	1/2011	Mattlar et al.	
D642,991 S *	8/2011	Mattlar et al.	..... D13/158
D643,373 S *	8/2011	Jokiniemi et al.	..... D13/158

\* cited by examiner

*Primary Examiner* — Thomas Johannes

(74) *Attorney, Agent, or Firm* — Buchanan Ingersoll & Rooney PC

(57) **CLAIM**

The ornamental design for a switch, as shown and described.

**DESCRIPTION**

FIG. 1 is a bottom, rear perspective view of a switch according to our new design.

FIG. 2 is a top, front perspective view thereof.

FIG. 3 is a top plan view thereof.

FIG. 4 is a rear elevational view thereof.

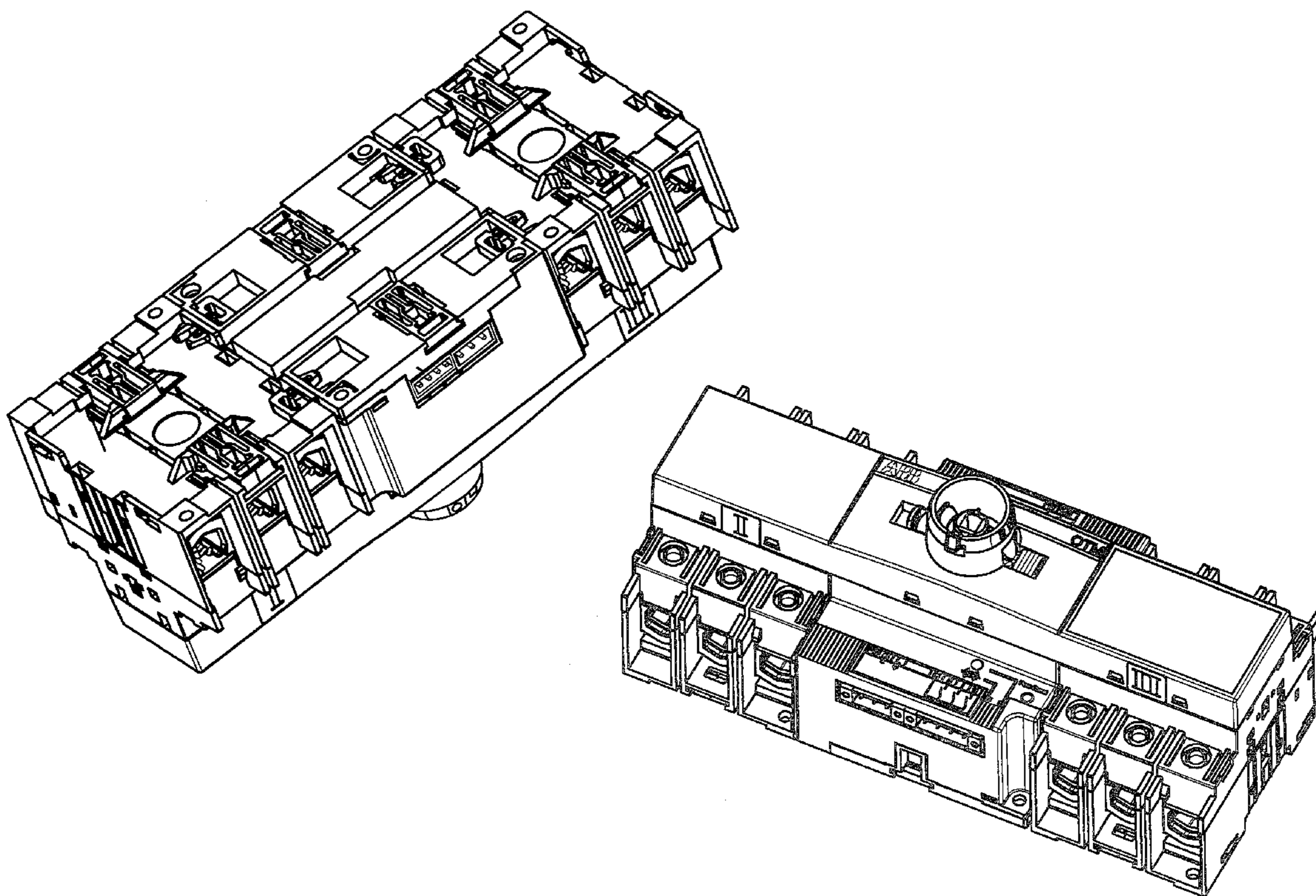
FIG. 5 is a front elevational view thereof.

FIG. 6 is a left side elevational view thereof; and,

FIG. 7 is a right side elevational view thereof.

The broken line portion of the drawing figures is included to show unclaimed subject matter only and forms no part of the claimed design.

**1 Claim, 6 Drawing Sheets**



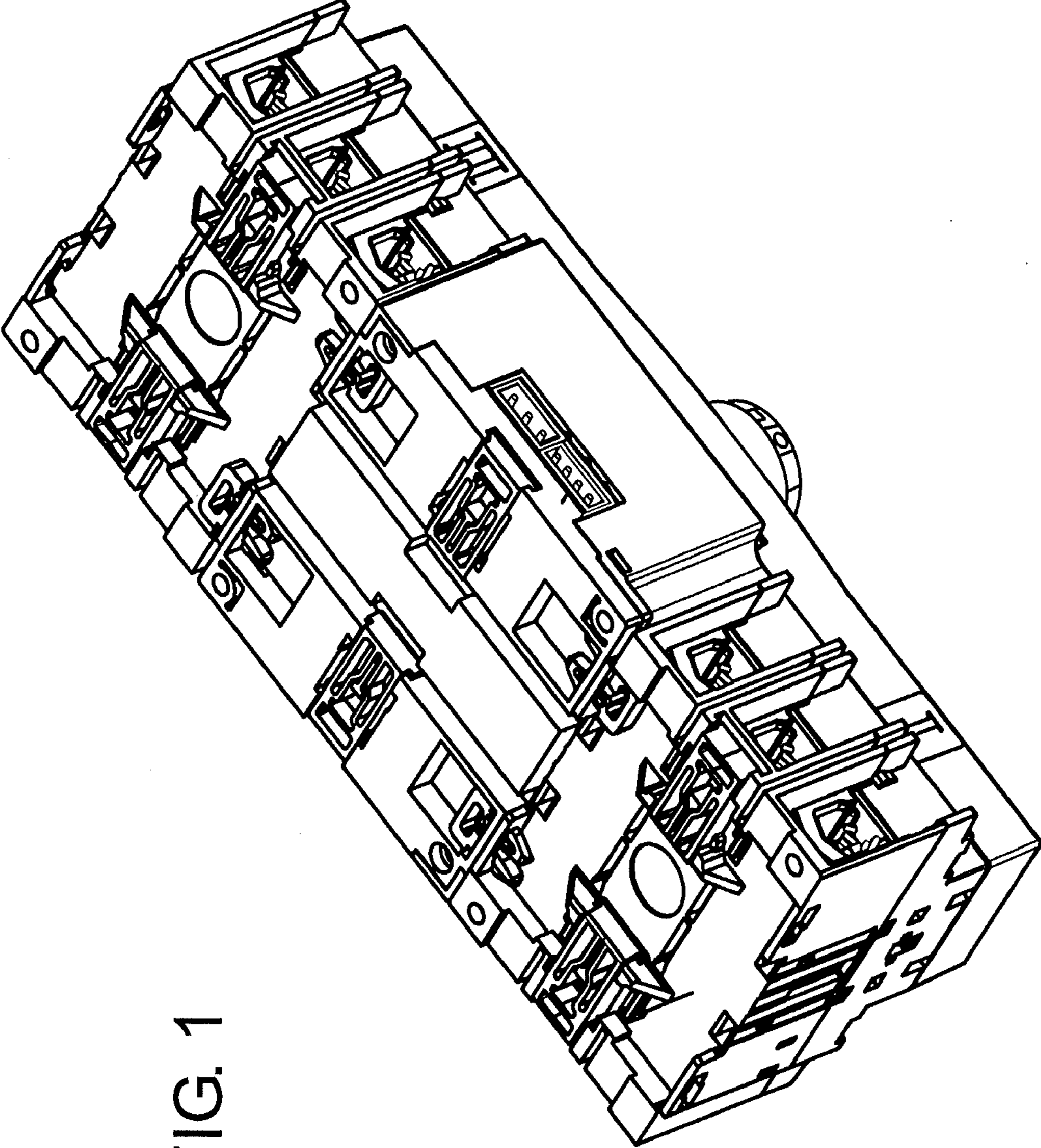


FIG. 1

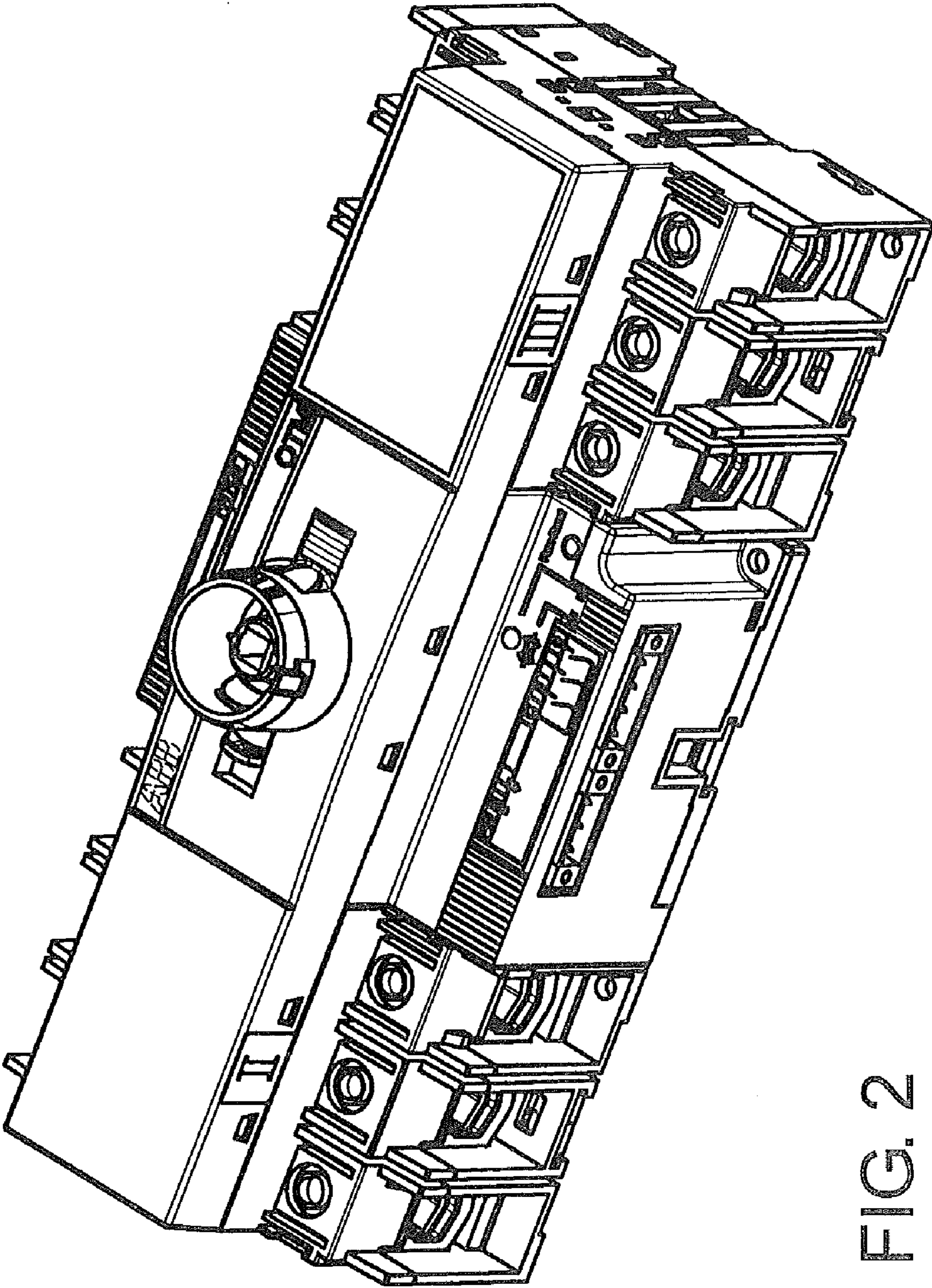


FIG. 2

FIG. 3

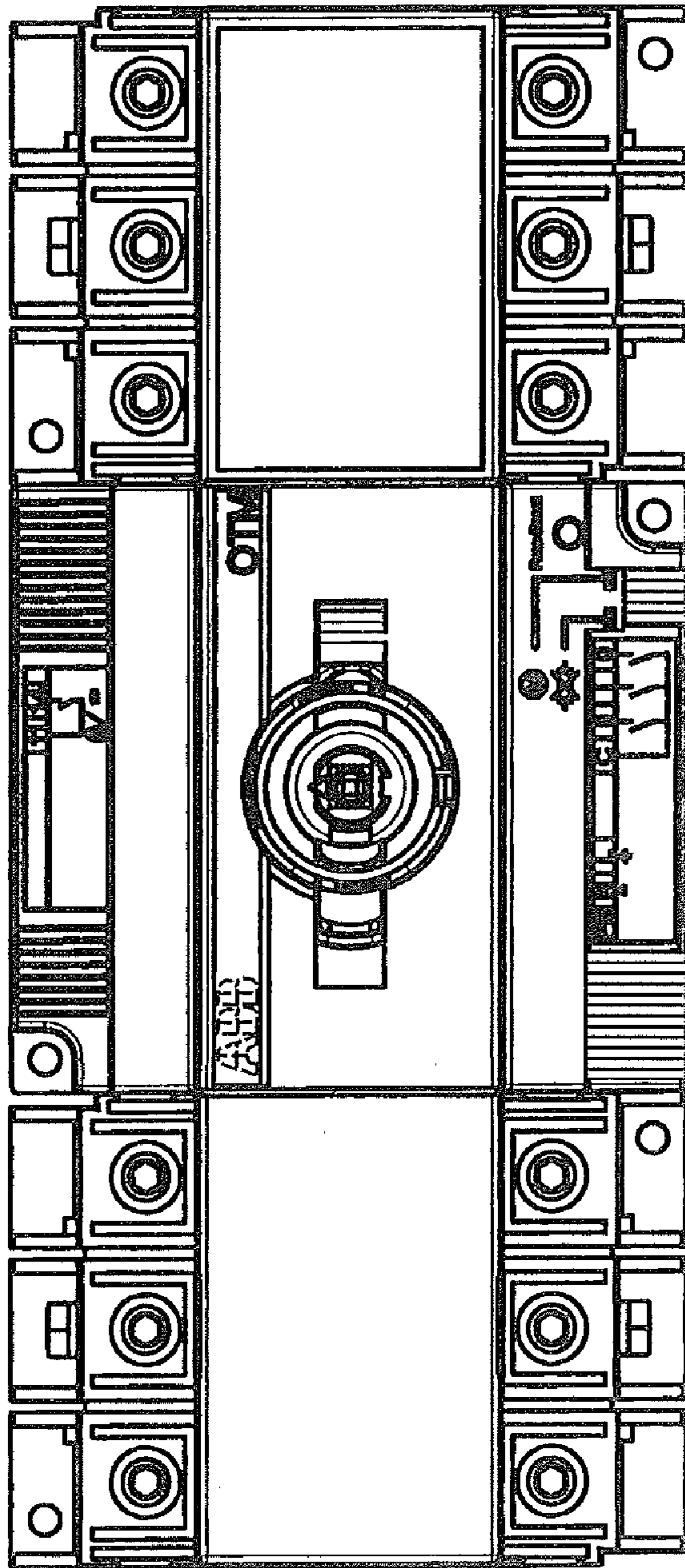
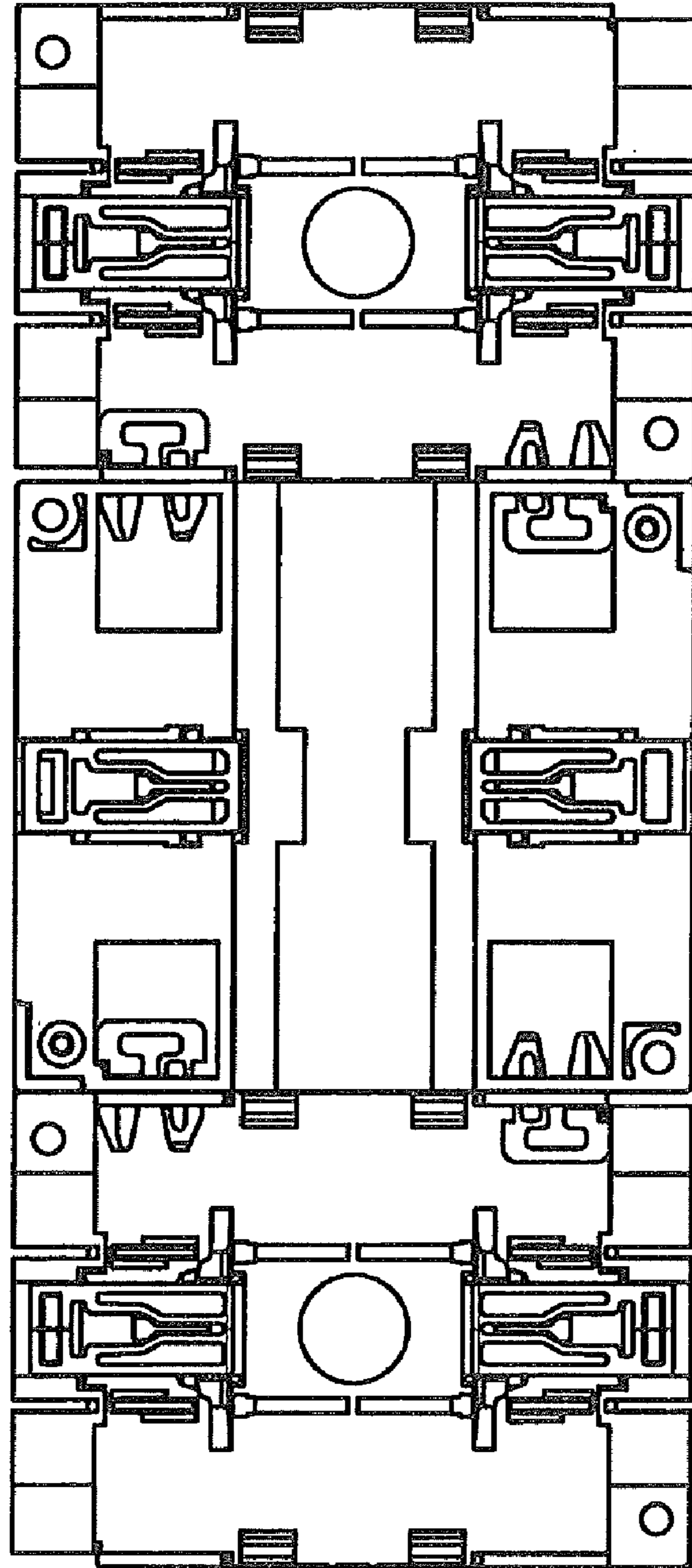


FIG. 4



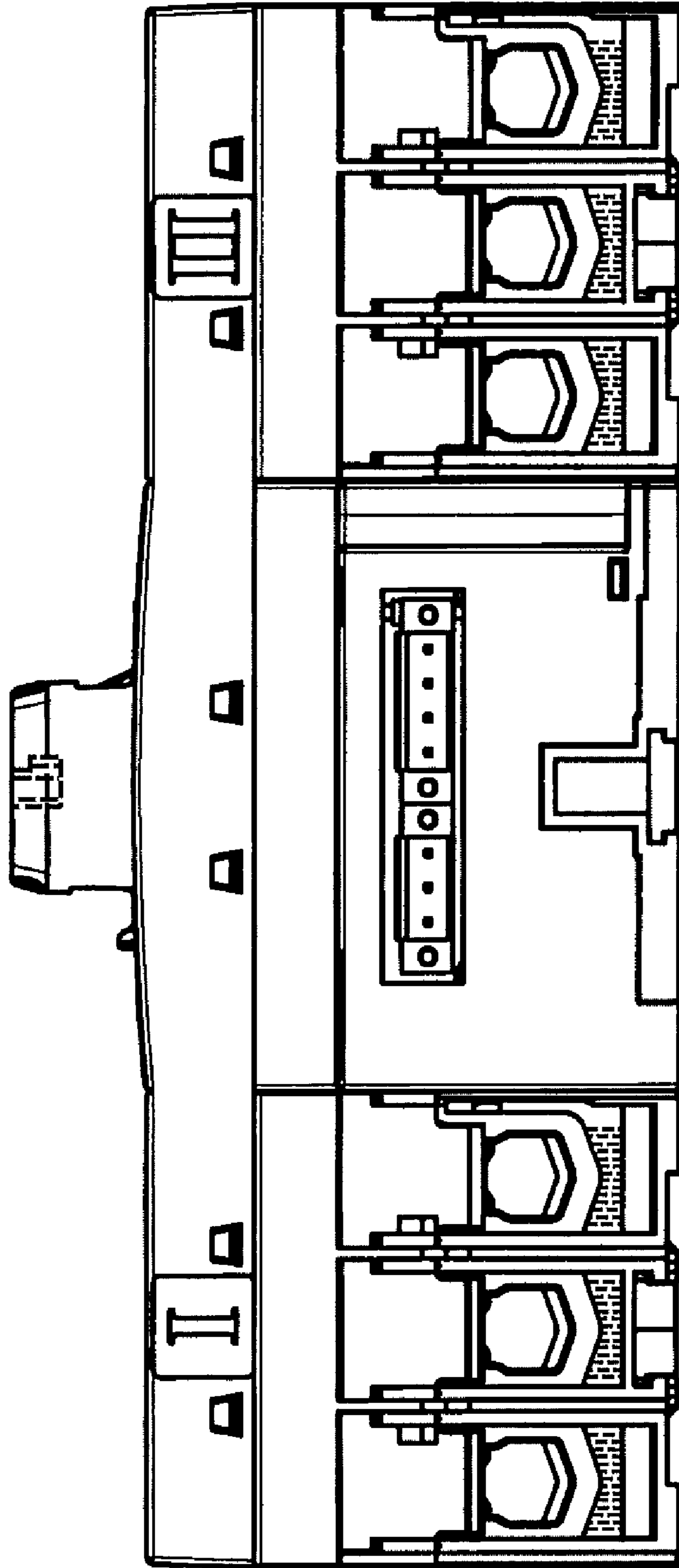


FIG. 5

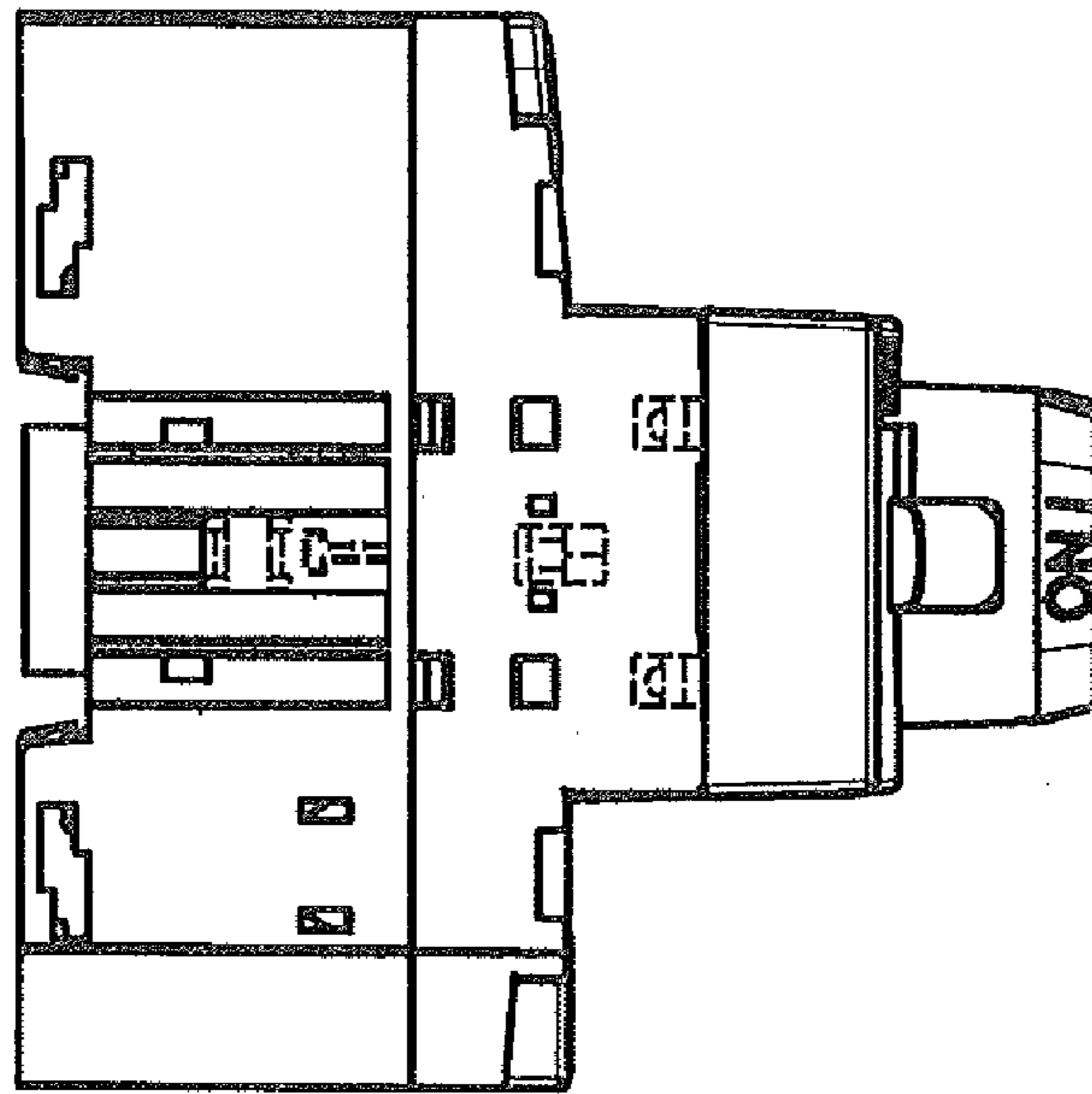


FIG. 6

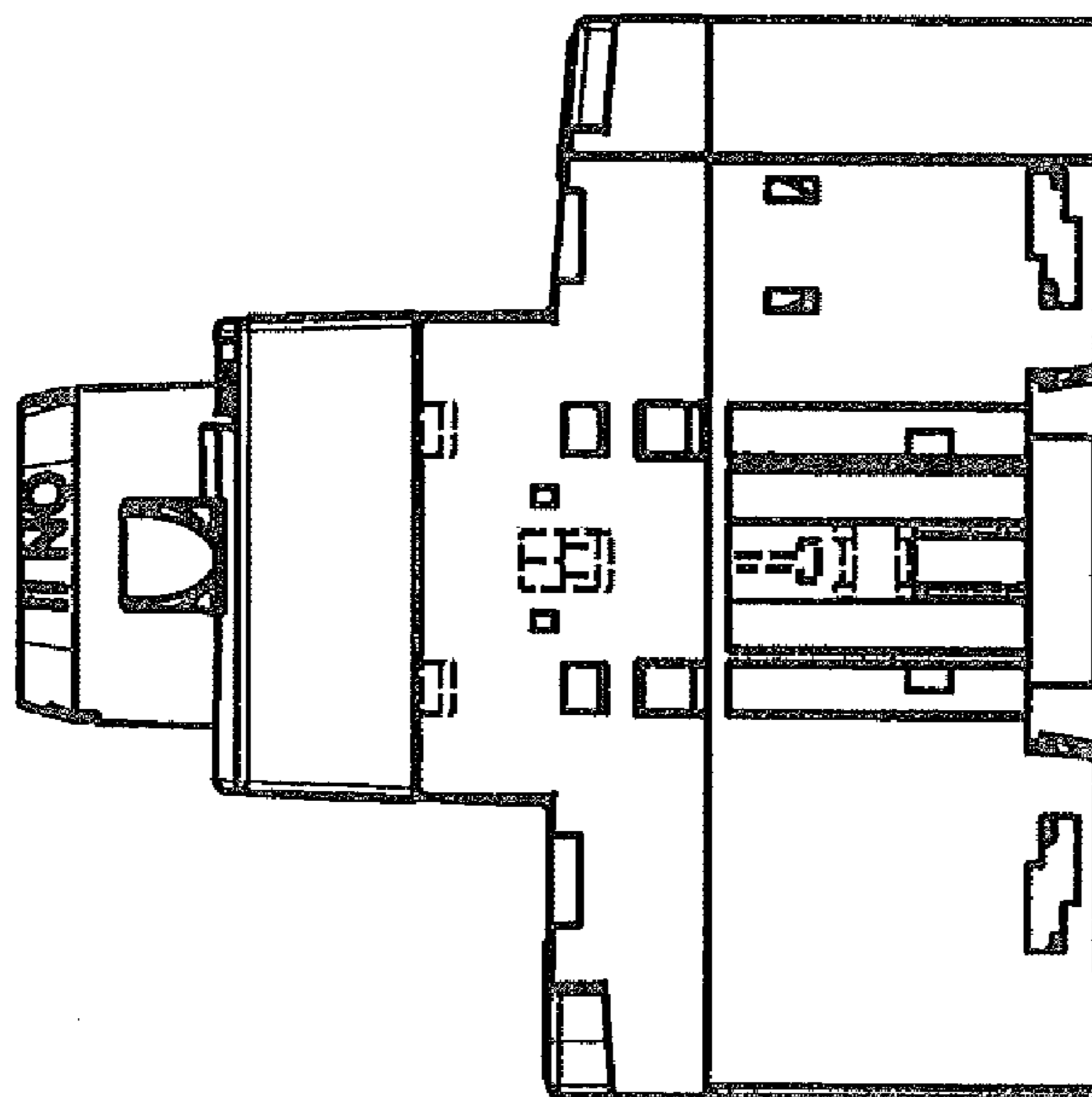


FIG. 7