



US00D655249S

(12) **United States Design Patent**
Dublin

(10) **Patent No.:** **US D655,249 S**
(45) **Date of Patent:** **** Mar. 6, 2012**

(54) **INTERFACE OF A CONNECTOR**

(75) Inventor: **Bill James Dublin**, San Jose, CA (US)

(73) Assignee: **Seagate Technology LLC**, Scotts Valley, CA (US)

(**) Term: **14 Years**

(21) Appl. No.: **29/362,959**

(22) Filed: **Jun. 2, 2010**

(51) **LOC (9) Cl.** **13-03**

(52) **U.S. Cl.** **D13/154**

(58) **Field of Classification Search** D13/133,
D13/154, 155, 156, 184; D14/348, 356,
D14/357, 361, 388, 432, 433, 434, 435.1,
D14/439, 483; 439/180, 246, 278, 345, 346,
439/358, 374, 378, 379, 381, 527, 529, 533,
439/892, 894

See application file for complete search history.

(56) **References Cited**

U.S. PATENT DOCUMENTS

3,049,582	A	*	8/1962	Shinn	174/92
D357,898	S	*	5/1995	Richards et al.	D13/133
D402,632	S	*	12/1998	Richards et al.	D13/154
D422,267	S	*	4/2000	Richards	D13/154
D476,764	S	*	7/2003	Khovaylo et al.	D26/37
D543,153	S	*	5/2007	Hayes et al.	D13/154
D585,896	S	*	2/2009	Wahl et al.	D14/433
D640,699	S	*	6/2011	McParland	D14/434

D641,362 S * 7/2011 Dublin D14/356
* cited by examiner

Primary Examiner — Daniel Bui

(74) *Attorney, Agent, or Firm* — Banner & Witcoff, Ltd.

(57) **CLAIM**

The ornamental design for an interface of a connector, as shown and described.

DESCRIPTION

FIG. 1 is a perspective view of an interface of a connector showing my new design;

FIG. 2 is a top view thereof;

FIG. 3 is a bottom view thereof;

FIG. 4 is a left side view thereof;

FIG. 5 is a right side view thereof;

FIG. 6 is a rear view thereof;

FIG. 7 is a front view thereof.

FIG. 8 is a perspective view of a second embodiment of an interface of a connector showing my new design;

FIG. 9 is a top view thereof;

FIG. 10 is a bottom view thereof;

FIG. 11 is a left side view thereof;

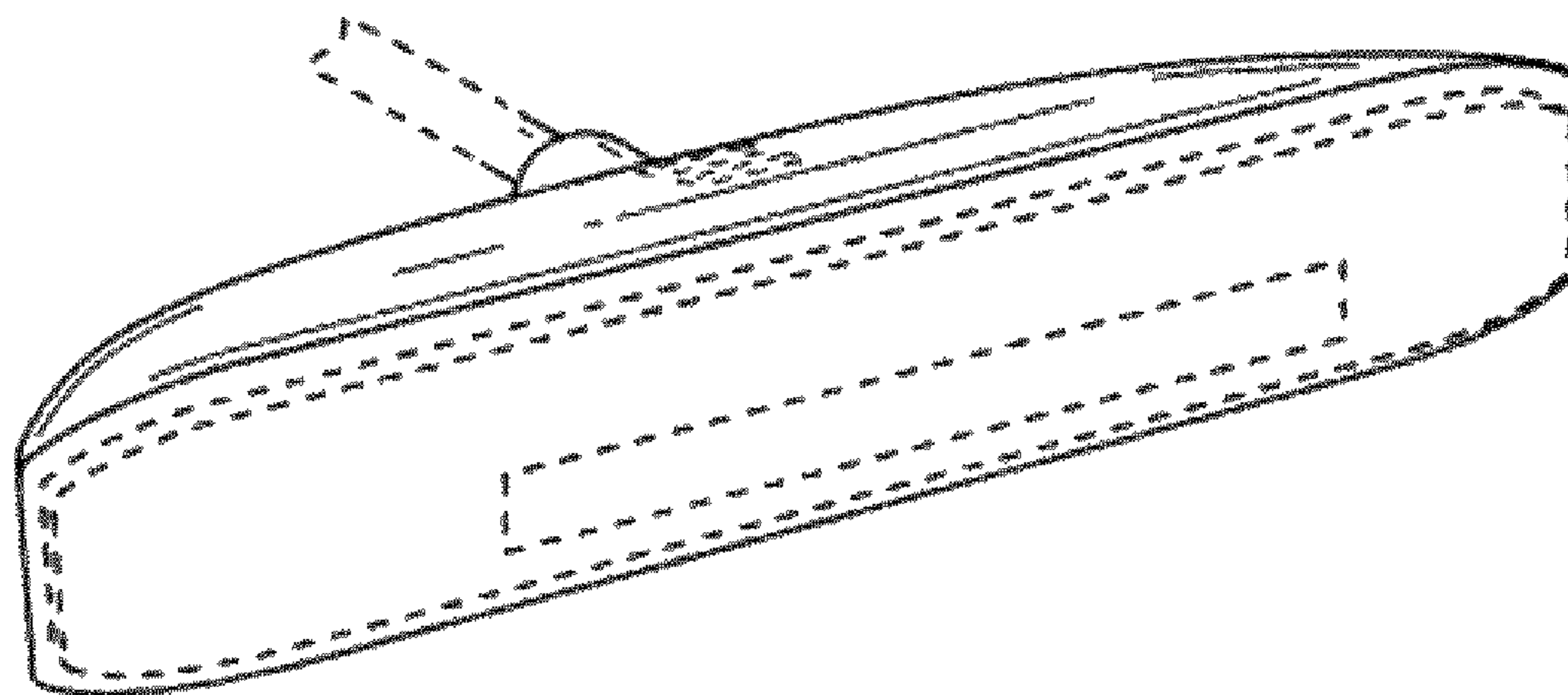
FIG. 12 is a right side view thereof;

FIG. 13 is a rear view thereof; and,

FIG. 14 is a front view thereof.

The broken lines immediately adjacent to the shaded areas form unclaimed boundaries of the design. The broken line showing of the remainder of the interface of a connector and the remainder of the cable is for environmental purposes only and forms no part of the claimed design.

1 Claim, 4 Drawing Sheets



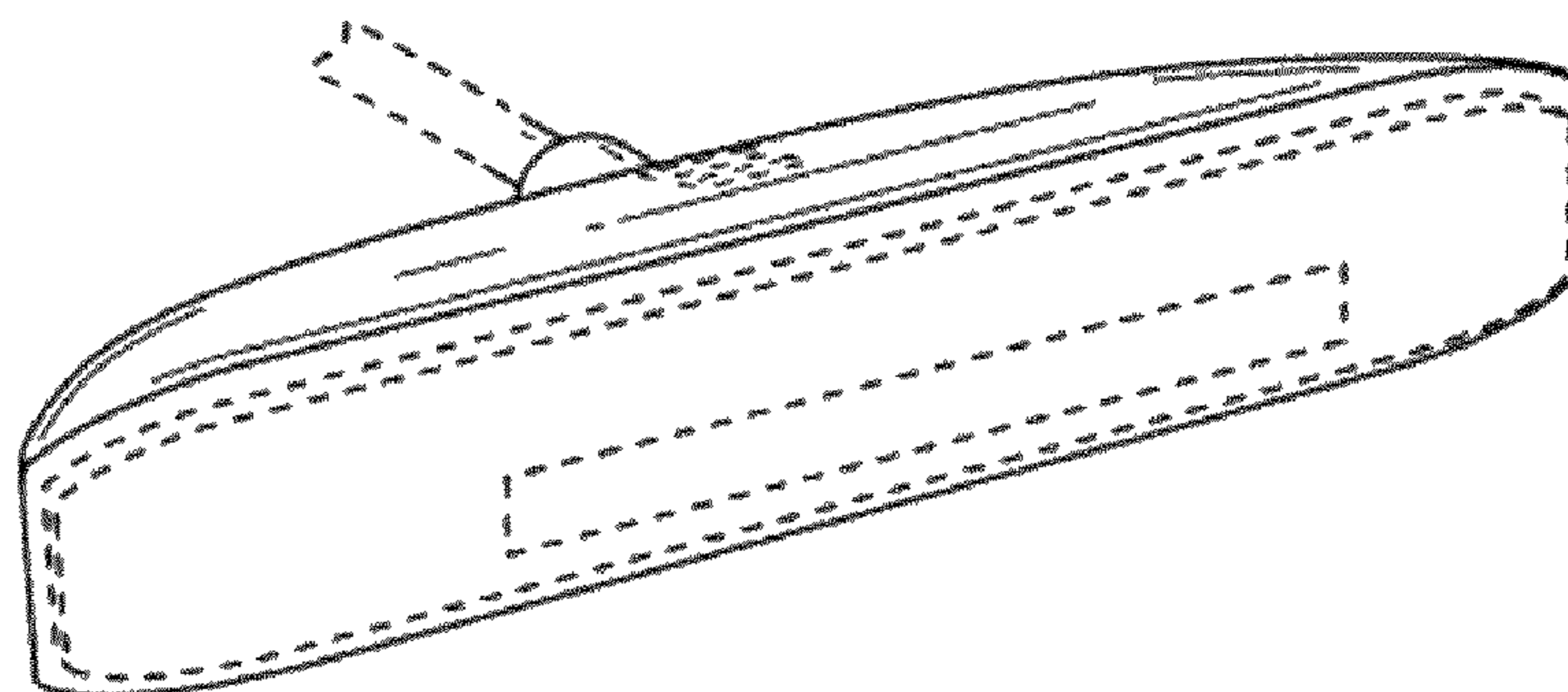


FIG. 1

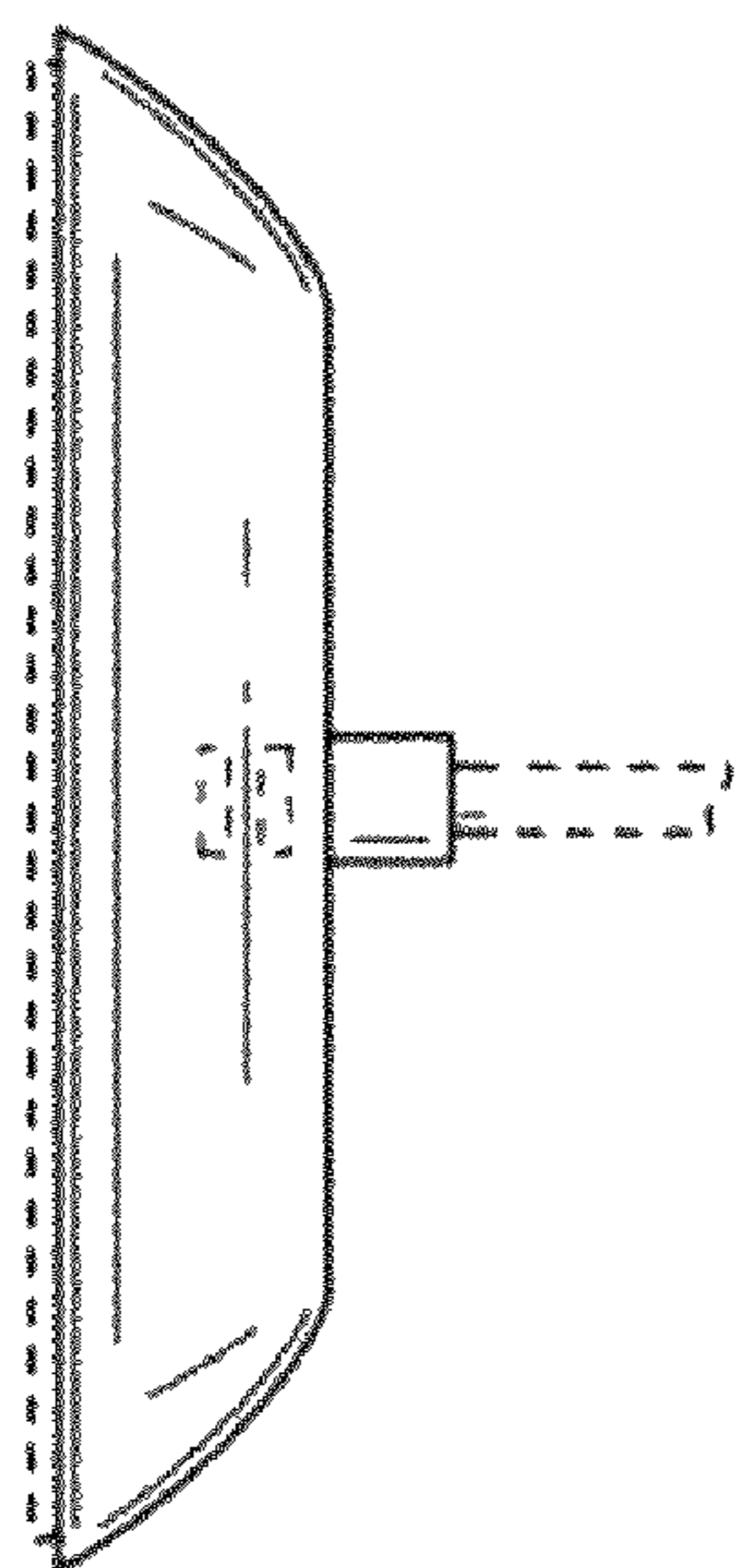


FIG. 2

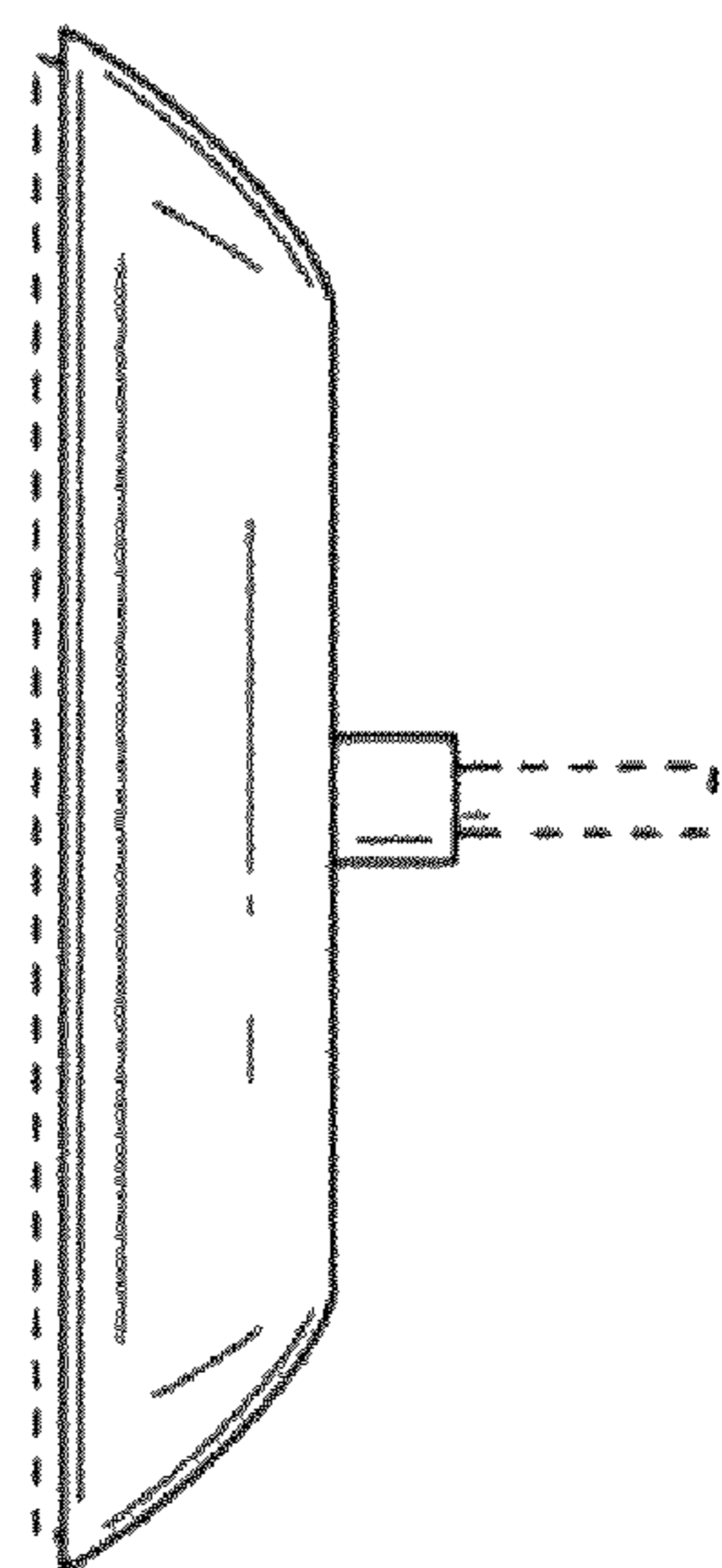


FIG. 3

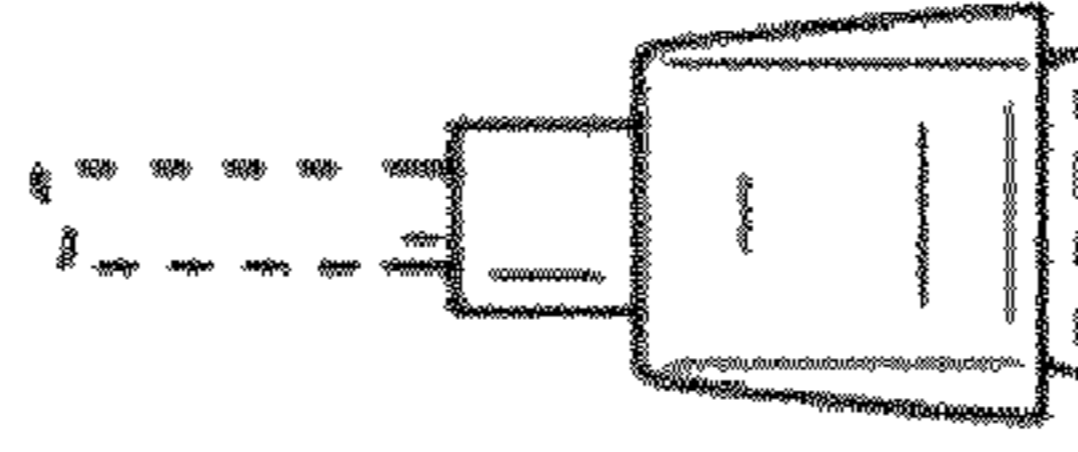


FIG. 4

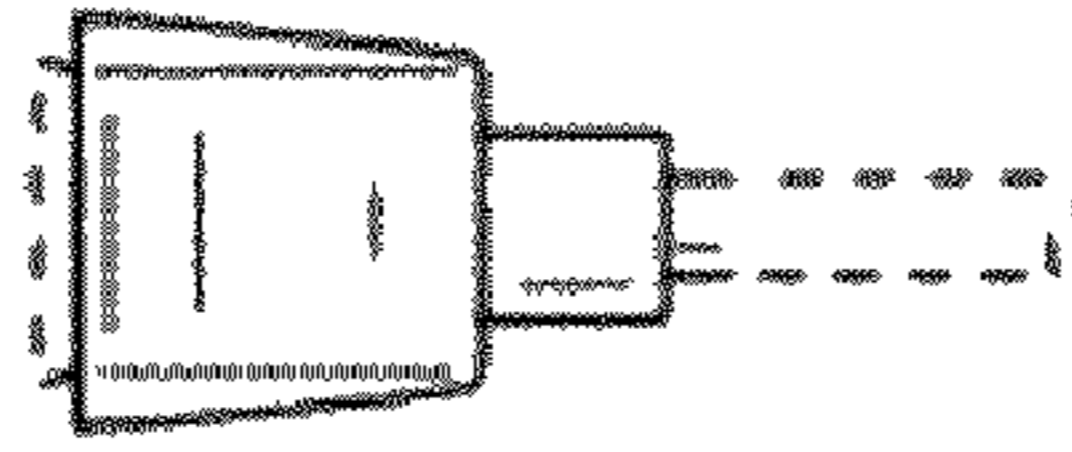


FIG. 5



FIG. 6

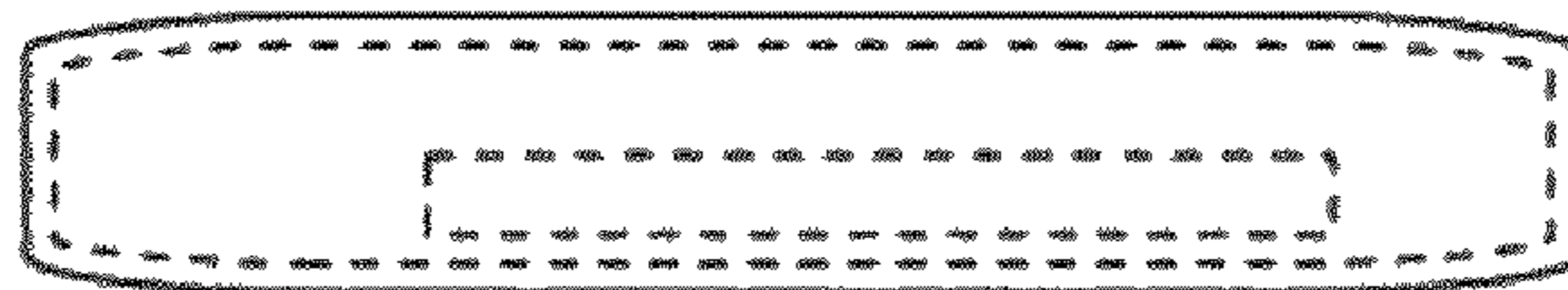


FIG. 7

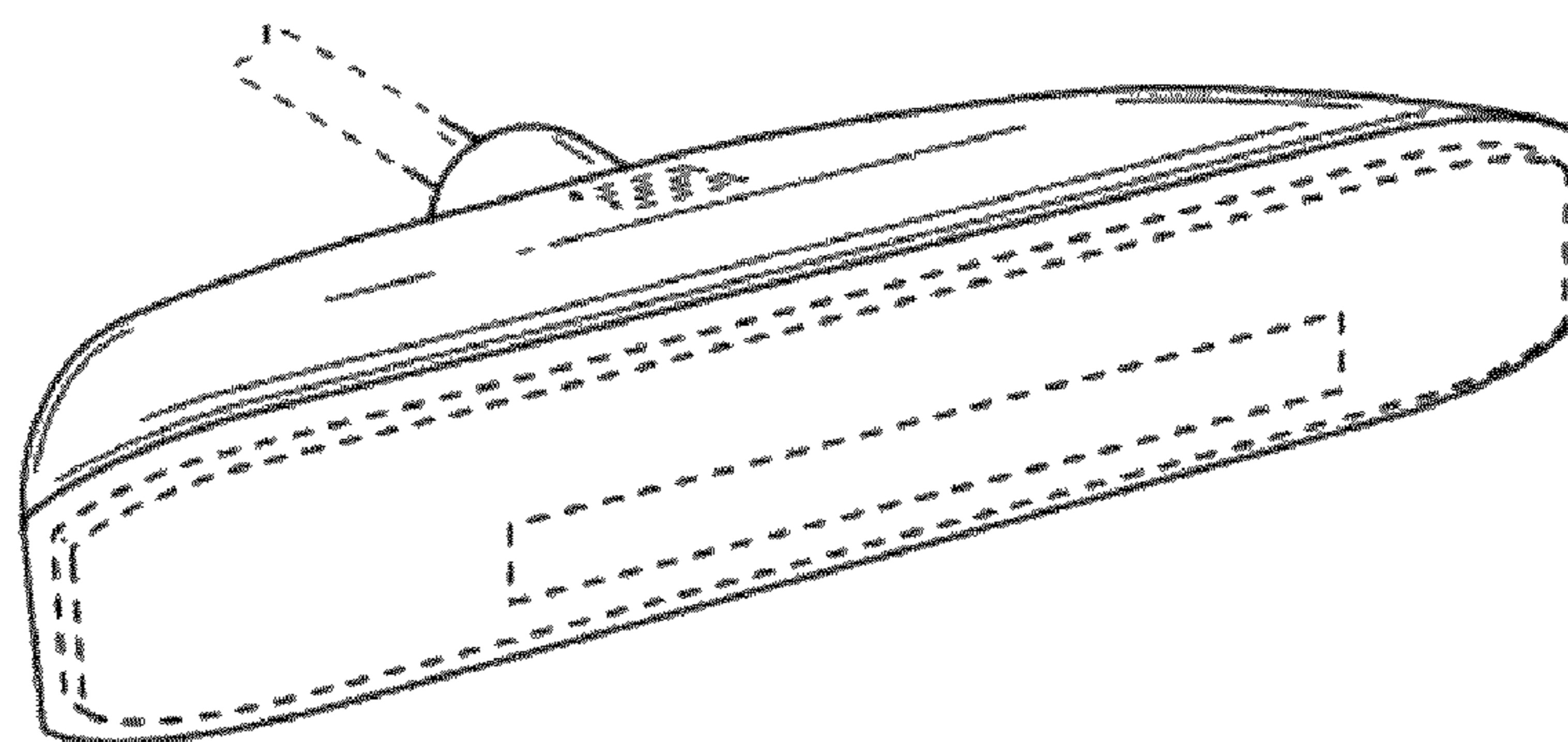


FIG. 8

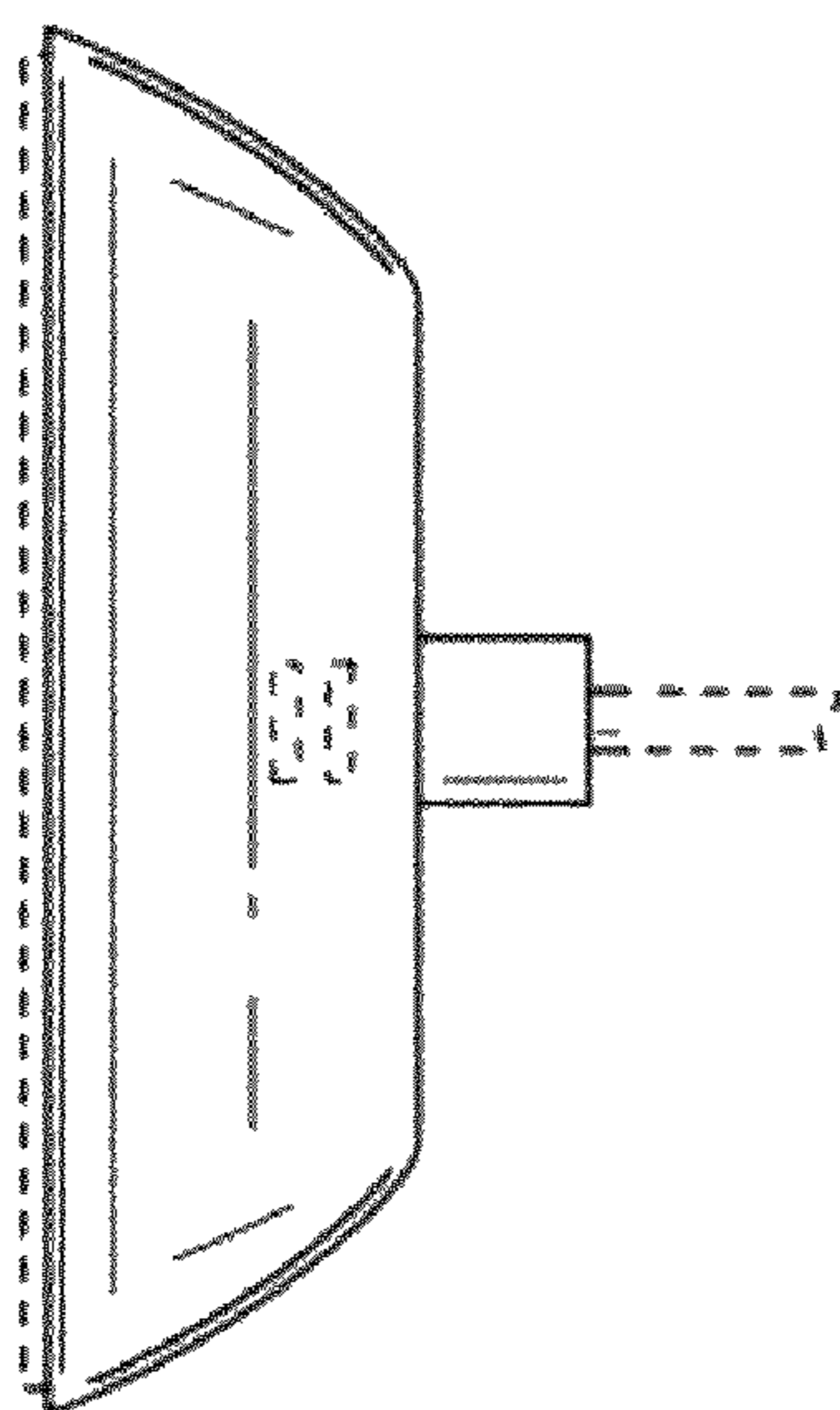


FIG. 9

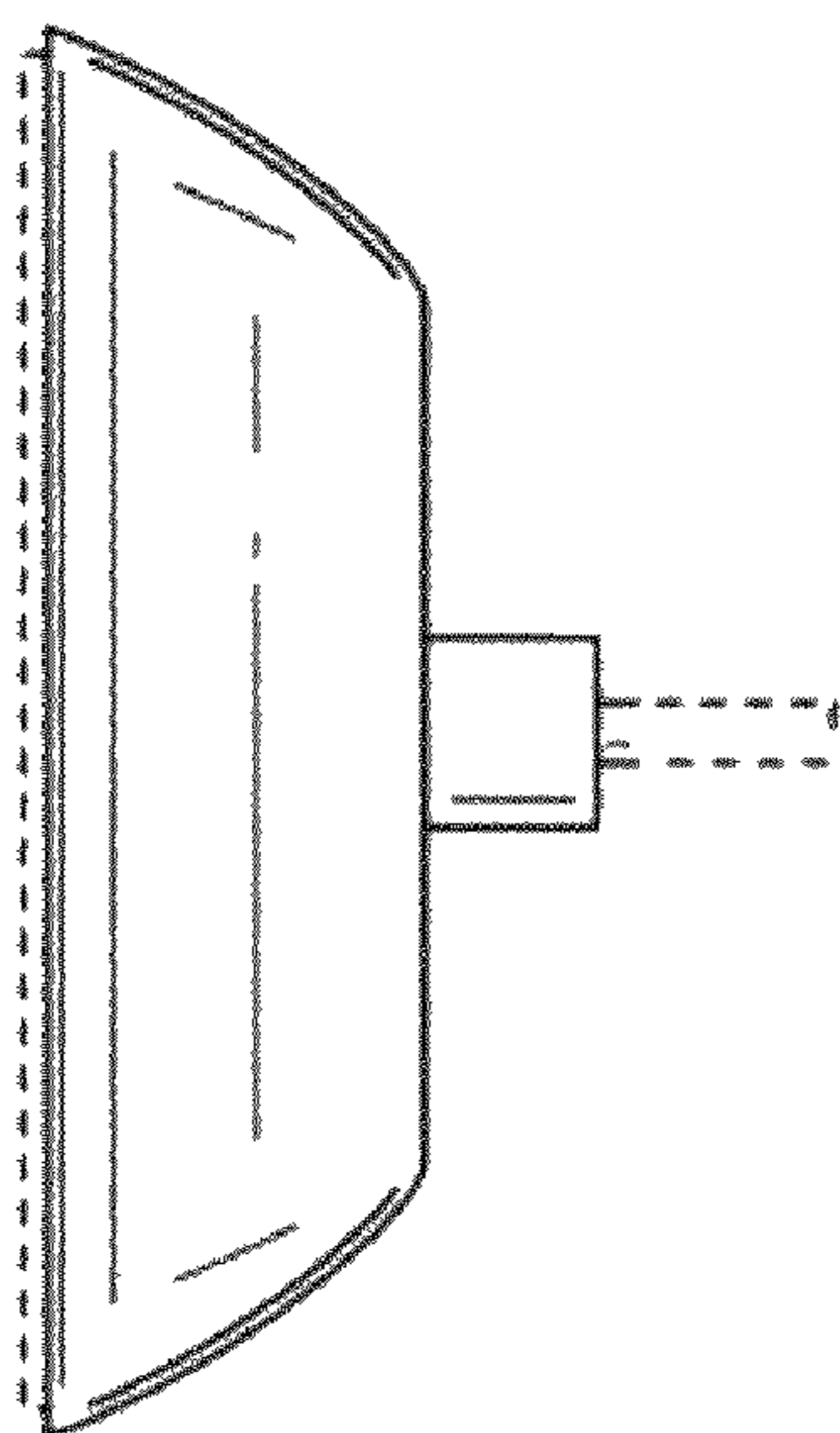


FIG. 10

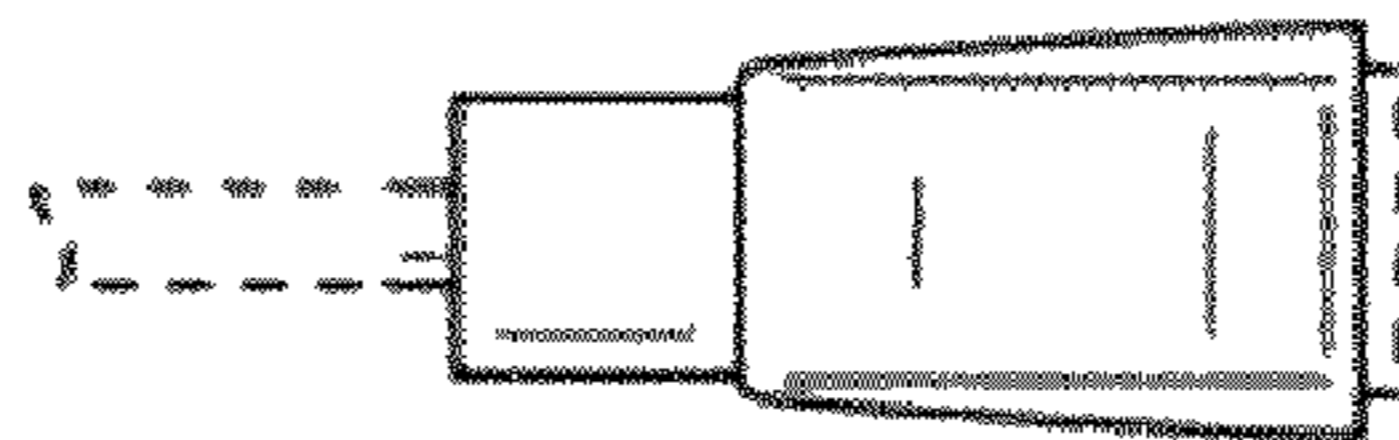


FIG. 11

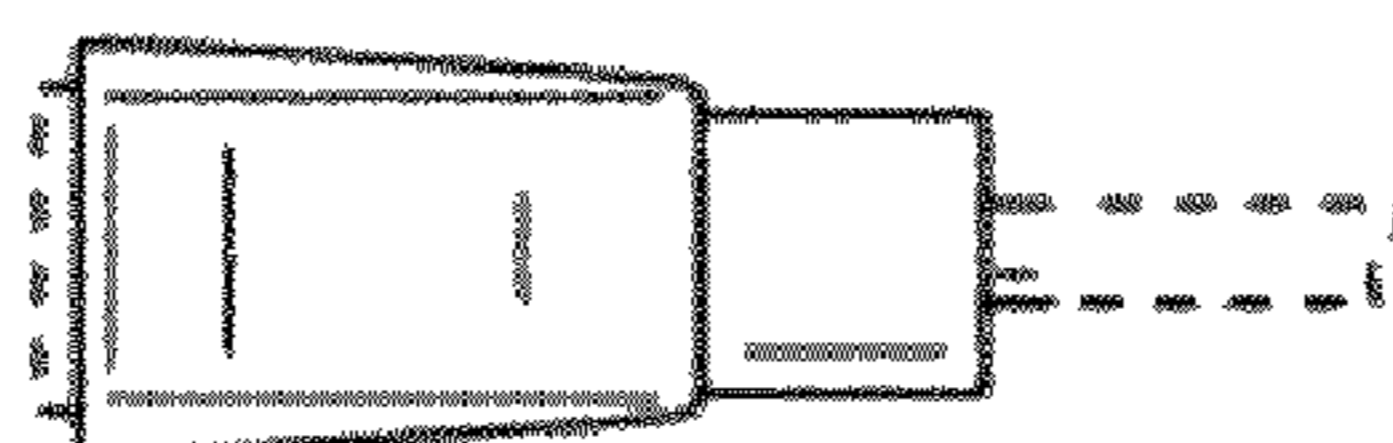


FIG. 12



FIG. 13



FIG. 14