

US00D655248S

(12) **United States Design Patent**
Chiang

(10) **Patent No.:** **US D655,248 S**

(45) **Date of Patent:** **** Mar. 6, 2012**

(54) **RECEPTACLE CONNECTOR**

(75) Inventor: **Chih-Hsien Chiang**, New Taipei (TW)

(73) Assignee: **Cheng Uei Precision Industry Co., Ltd.**, New Taipei (TW)

(**) Term: **14 Years**

(21) Appl. No.: **29/389,653**

(22) Filed: **Apr. 14, 2011**

(51) **LOC (9) Cl.** **13-03**

(52) **U.S. Cl.** **D13/146**

(58) **Field of Classification Search** D13/146,
D13/147, 154, 184, 199; 439/79, 108, 378,
439/567, 607.01, 607.04, 607.05, 607.17,
439/607.25, 607.34, 607.41, 607.53, 668,
439/680

See application file for complete search history.

(56) **References Cited**

U.S. PATENT DOCUMENTS

D362,658 S * 9/1995 Meagher et al. D13/147
D570,784 S * 6/2008 Lin et al. D13/147
D593,491 S * 6/2009 Liu et al. D13/133

D593,492 S * 6/2009 Peng D13/133
D595,657 S * 7/2009 Liu et al. D13/147
D617,738 S * 6/2010 Chen et al. D13/147

* cited by examiner

Primary Examiner — Daniel Bui

(74) *Attorney, Agent, or Firm* — Cheng-Ju Chiang

(57) **CLAIM**

The ornamental design for a receptacle connector, as shown and described.

DESCRIPTION

FIG. 1 is a top, front and right side perspective view of a receptacle connector showing my new design, in a closed state;

FIG. 2 is a front elevational view thereof;

FIG. 3 is a rear elevational view thereof;

FIG. 4 is a left side elevational view thereof;

FIG. 5 is a right side elevational view thereof;

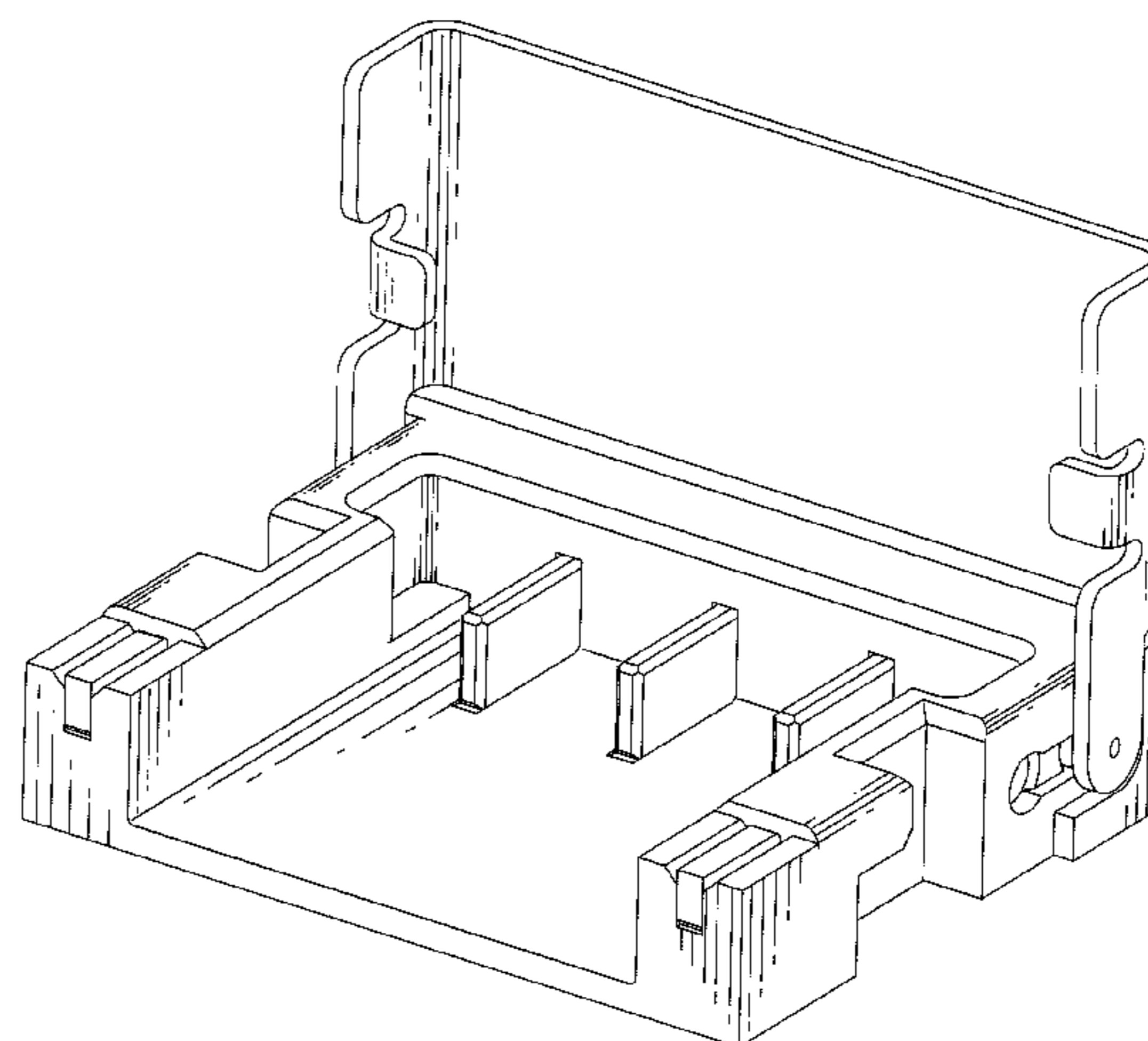
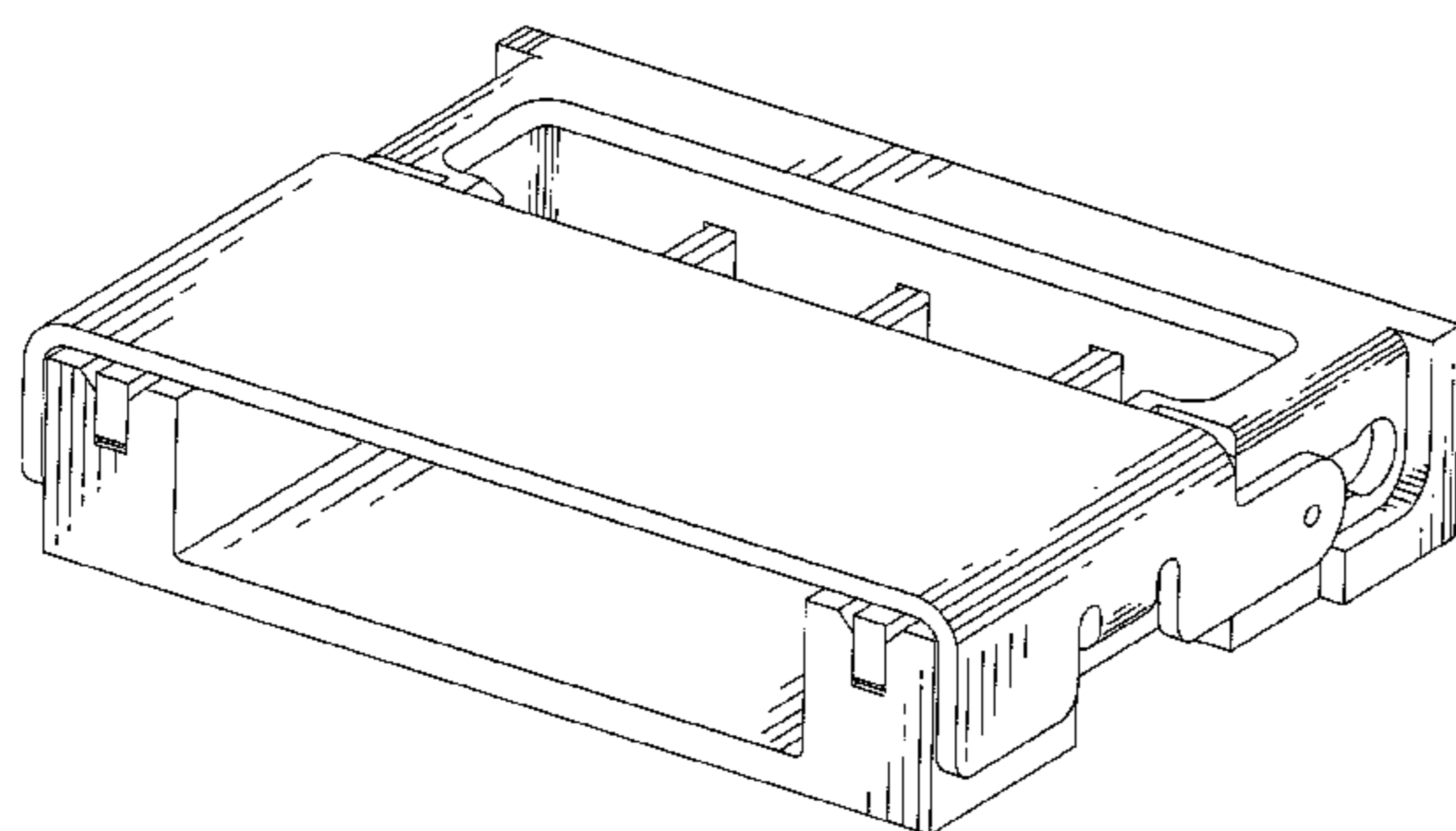
FIG. 6 is a top plan view thereof;

FIG. 7 is a bottom plan view thereof;

FIG. 8 is a bottom, rear and right side perspective view thereof; and,

FIG. 9 is a top, front and right side perspective view thereof, in an opened state.

1 Claim, 9 Drawing Sheets



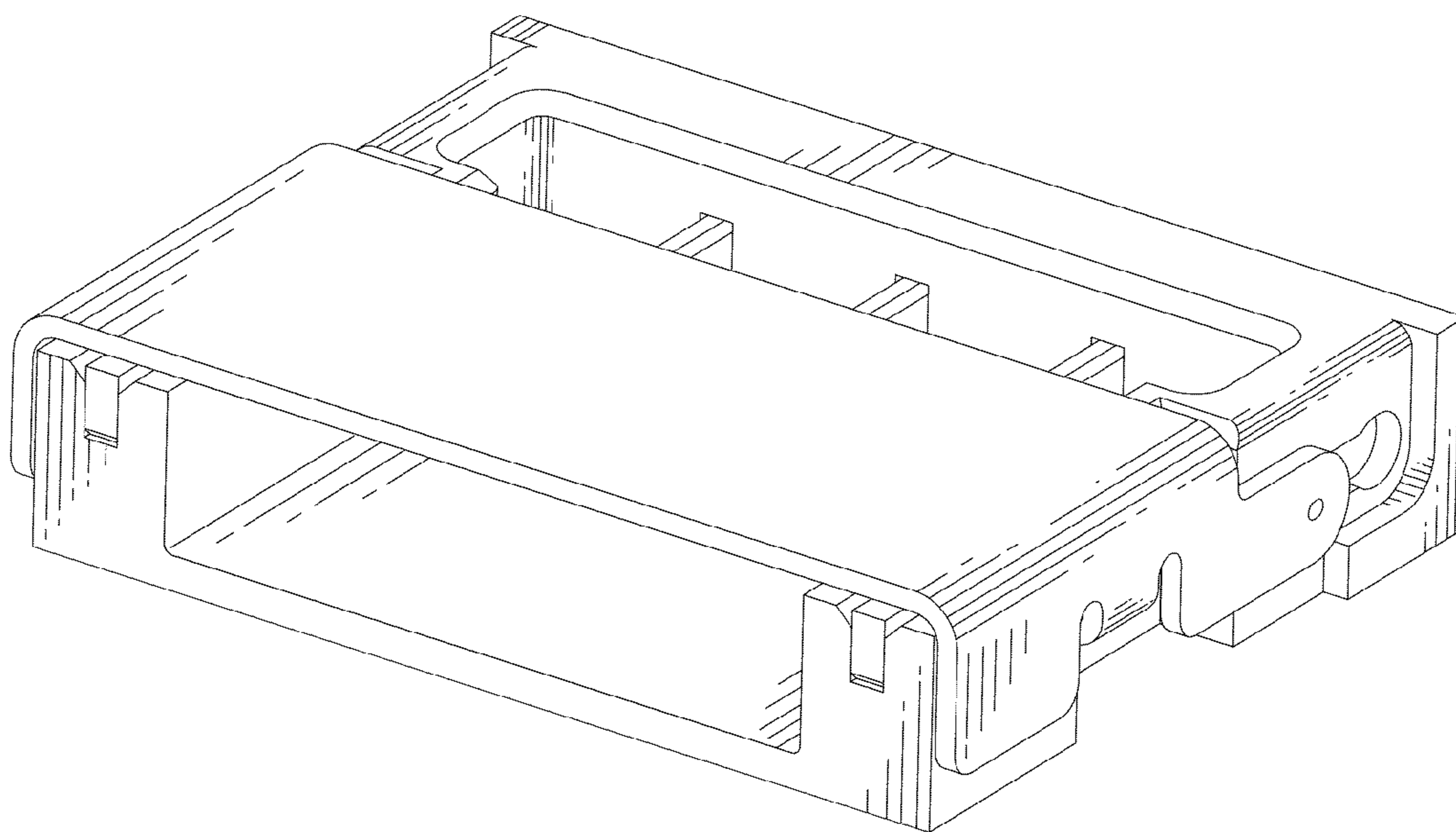


FIG. 1

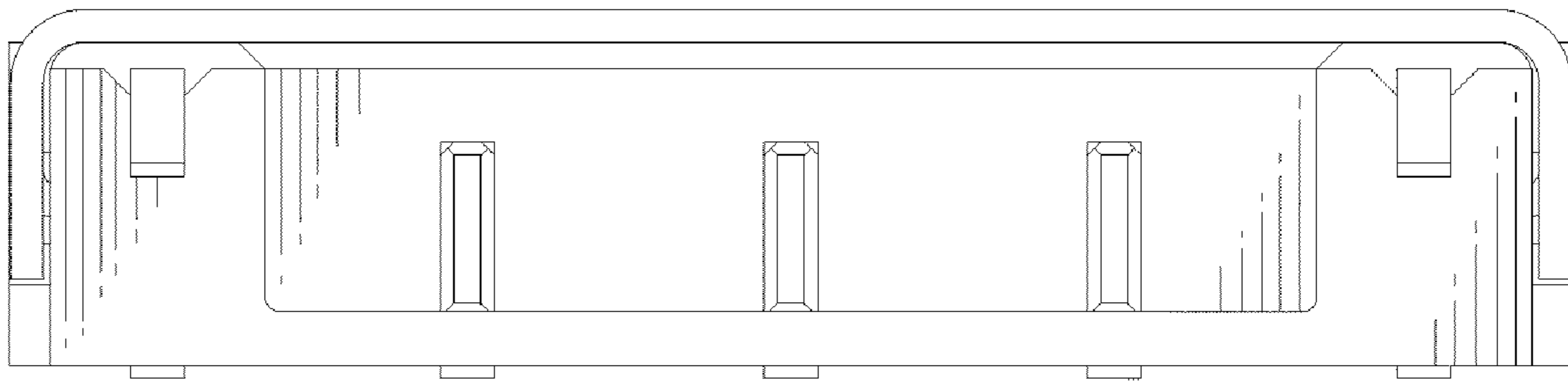


FIG. 2

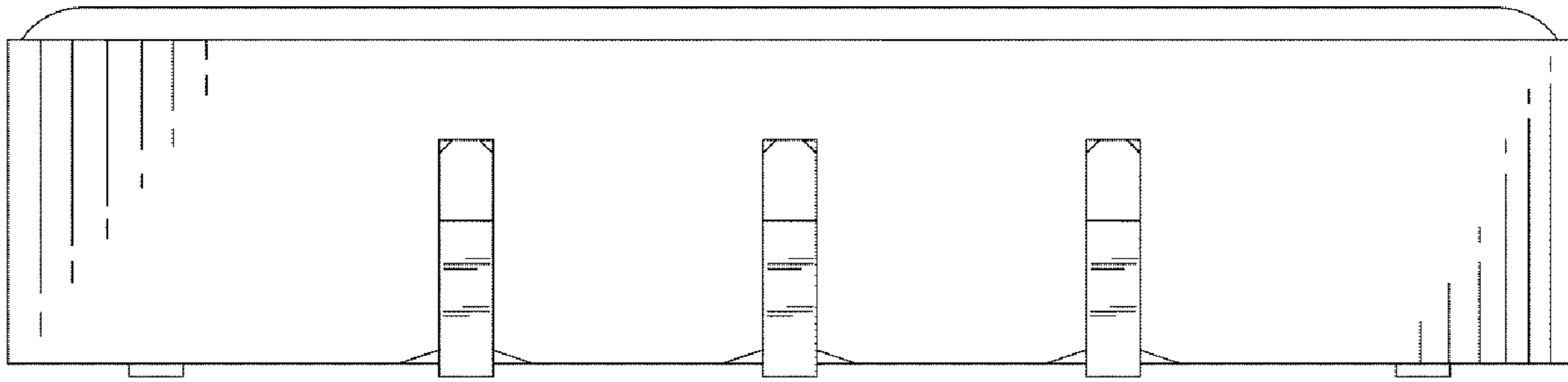


FIG. 3

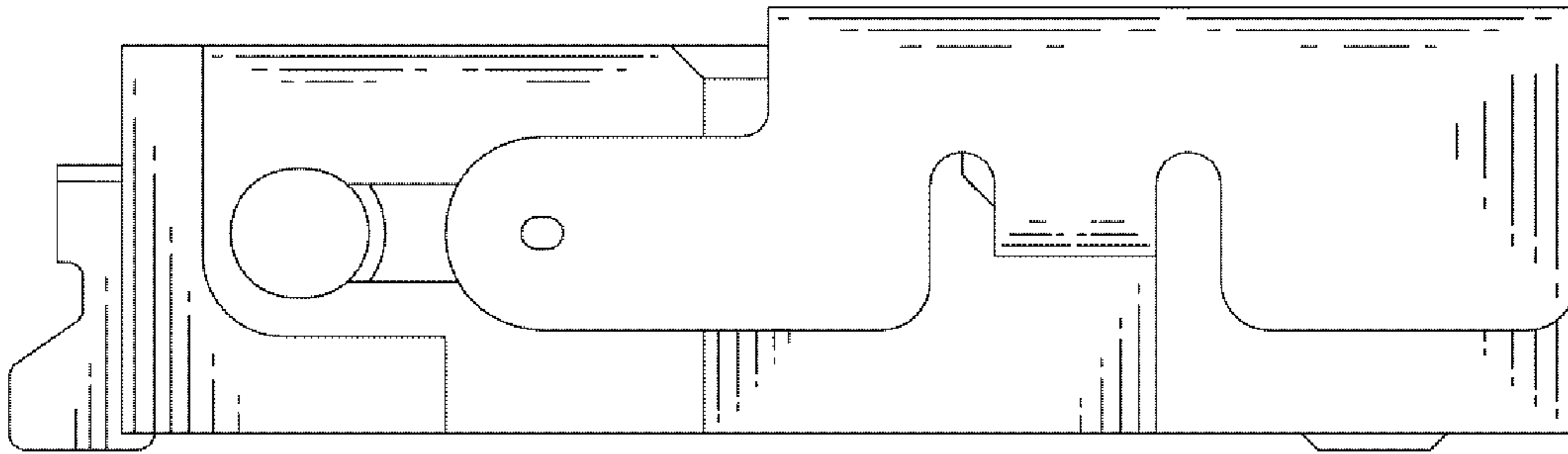


FIG. 4

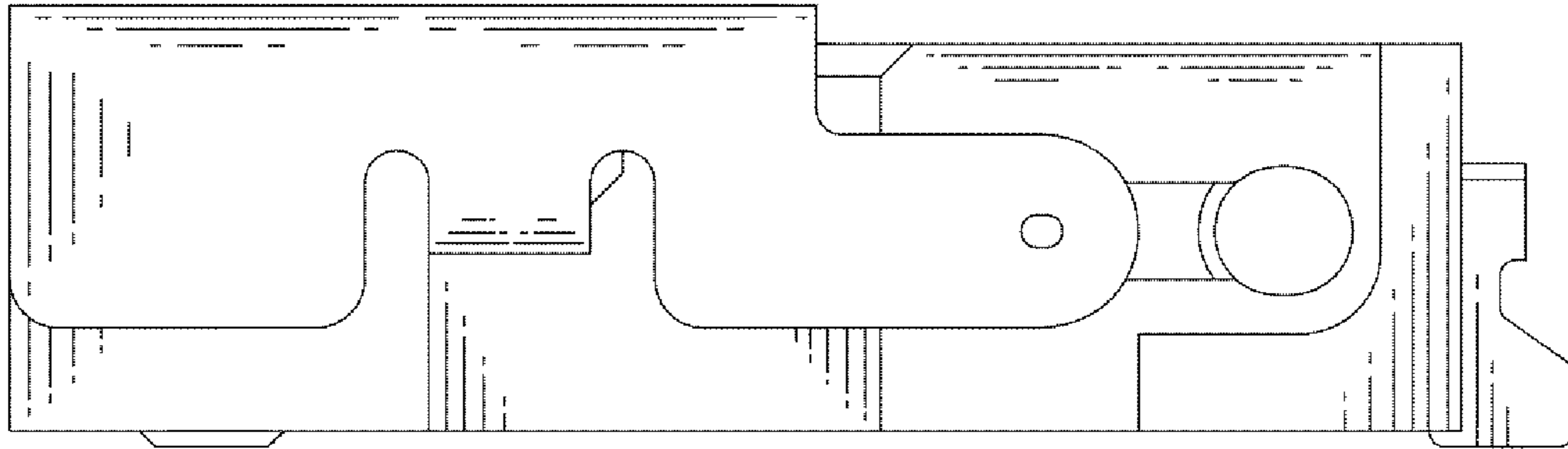


FIG. 5

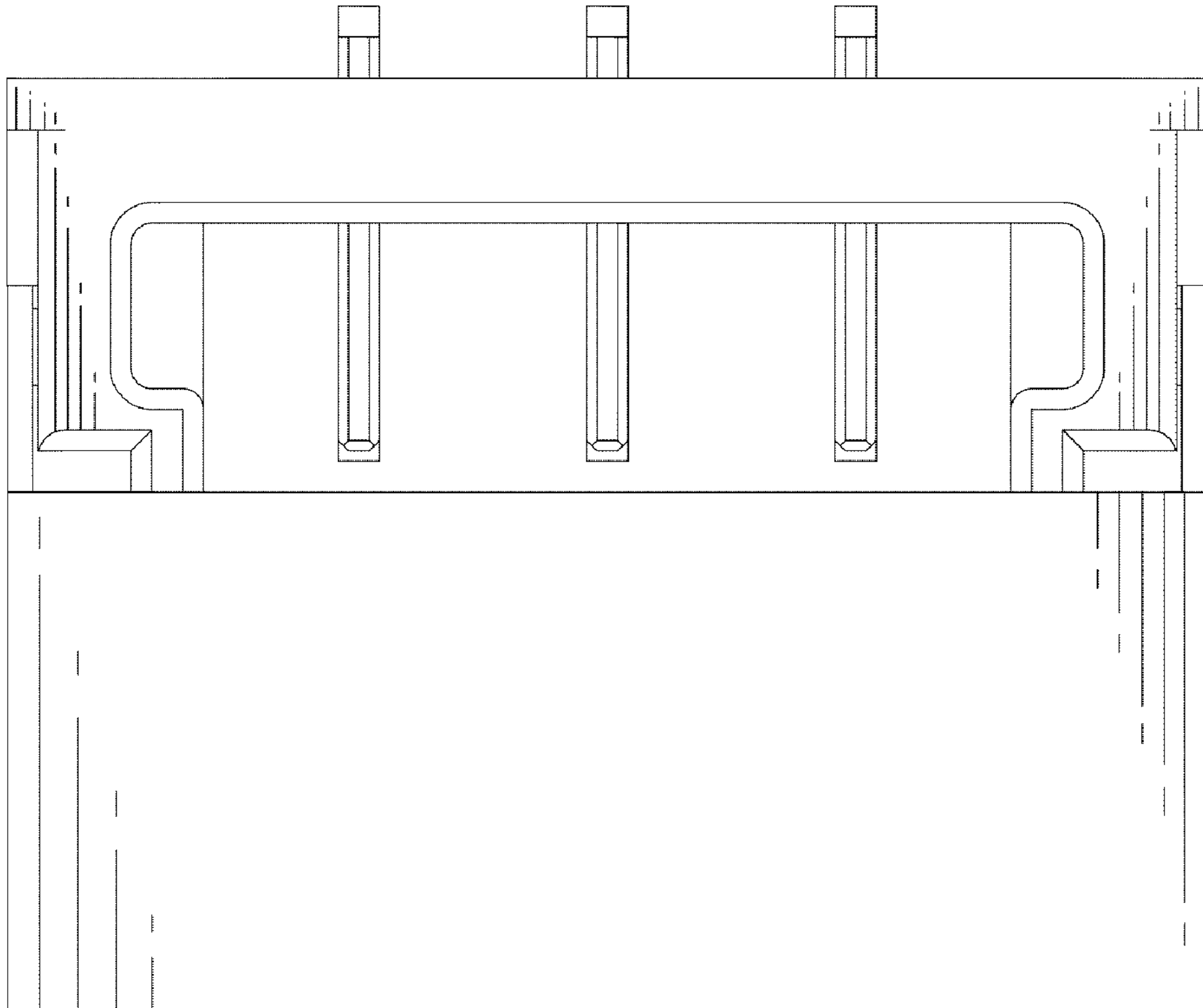


FIG. 6

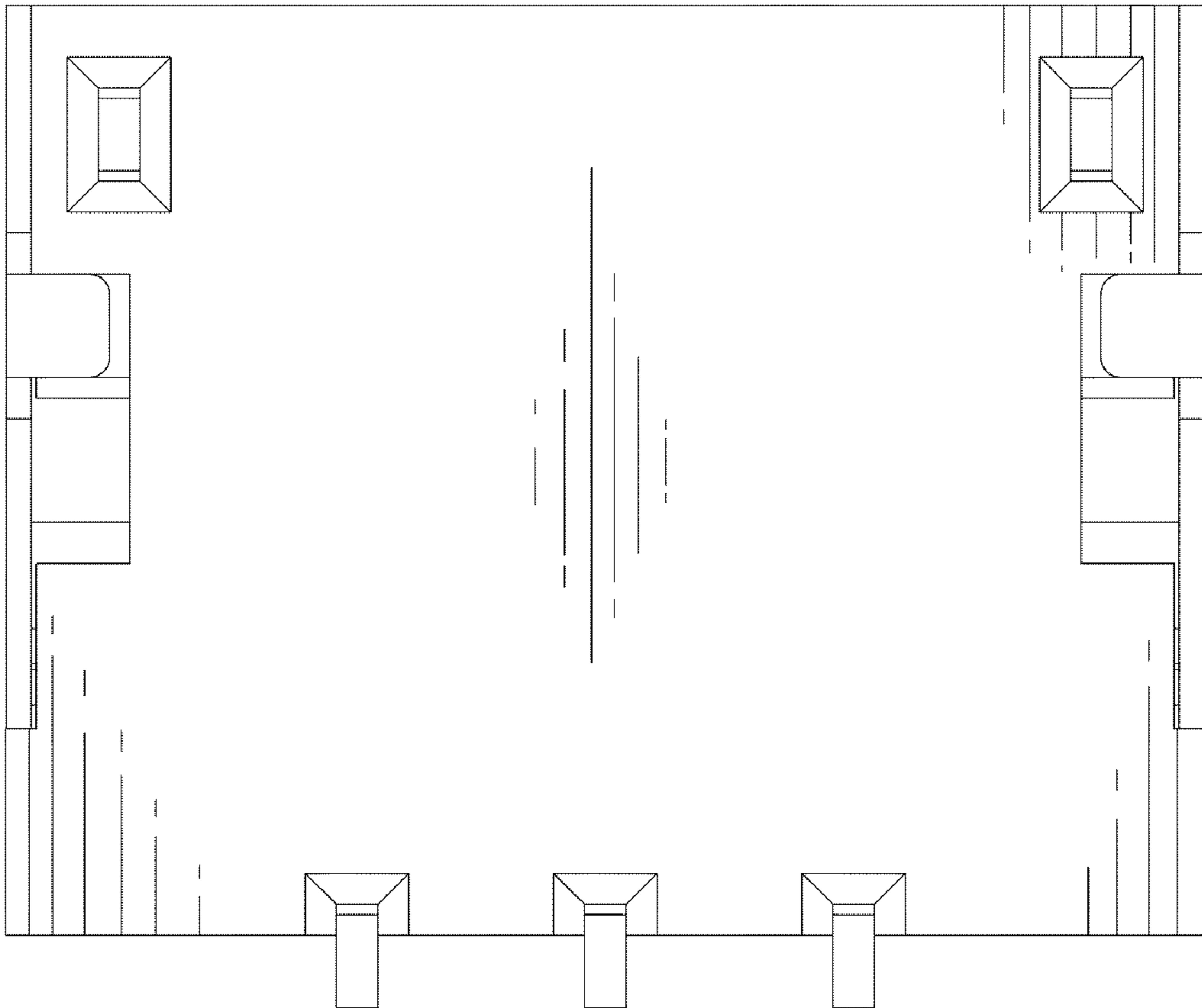


FIG. 7

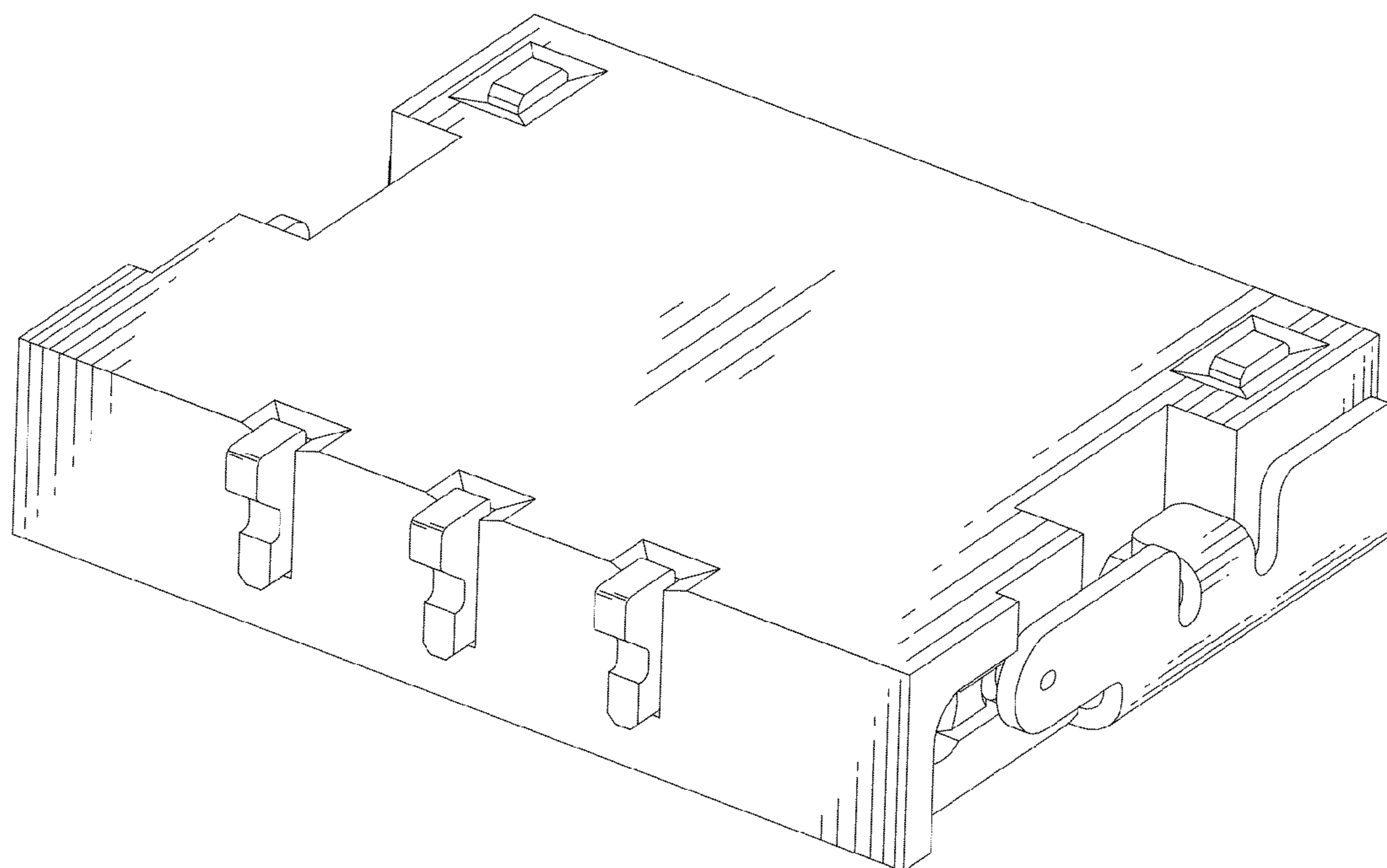


FIG. 8

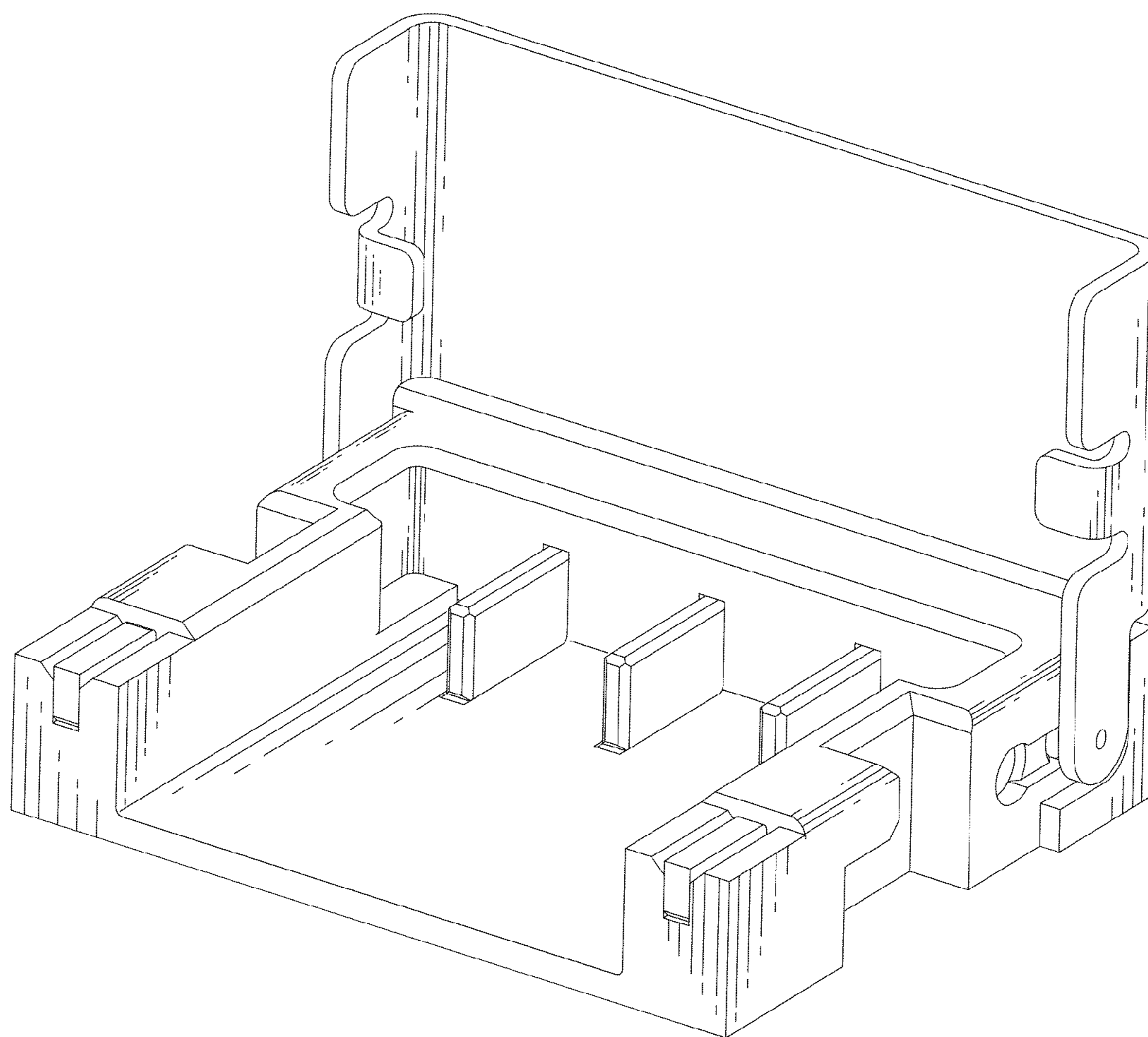


FIG. 9