



US00D655247S

(12) **United States Design Patent**  
**Fitch et al.**

(10) **Patent No.:** **US D655,247 S**  
(45) **Date of Patent:** **\*\* Mar. 6, 2012**

(54) **DUAL 12V POWER ADAPTER**

(75) Inventors: **Jonathan A. Fitch**, Syracuse, NY (US);  
**Donwoong Kang**, Camillus, NY (US)

(73) Assignee: **Eveready Battery Company, Inc.**, St. Louis, MO (US)

(\*\*) Term: **14 Years**

(21) Appl. No.: **29/383,166**

(22) Filed: **Jan. 13, 2011**

(51) **LOC (9) Cl.** ..... **13-03**

(52) **U.S. Cl.** ..... **D13/144**

(58) **Field of Classification Search** ..... D13/107,  
D13/108, 110, 118, 119, 120, 133, 144, 154,  
D13/184, 199; 320/107-109; 363/13, 146;  
439/300, 620.01, 638, 668-670, 675, 825  
See application file for complete search history.

(56) **References Cited**

**U.S. PATENT DOCUMENTS**

D392,617 S *	3/1998	Yokozawa	.....	D13/144
D406,261 S *	3/1999	Kettula et al.	.....	D13/144
D442,543 S *	5/2001	Krumenacker et al.	.....	D13/107
D492,249 S *	6/2004	Suomalainen et al.	.....	D13/108
D494,542 S *	8/2004	Hriscu et al.	.....	D13/110

D545,274 S *	6/2007	Dong	.....	D13/144
D613,692 S *	4/2010	Son et al.	.....	D13/144
D614,136 S *	4/2010	Chyan et al.	.....	D13/144
D620,441 S *	7/2010	Hou	.....	D13/144

\* cited by examiner

*Primary Examiner* — Daniel Bui

(74) *Attorney, Agent, or Firm* — Michael C. Pophal

(57) **CLAIM**

The ornamental design for a dual 12V power adapter, as shown and described.

**DESCRIPTION**

FIG. 1 is a rear perspective view of a dual 12V power adapter showing our new design.

FIG. 2 is a front perspective view thereof.

FIG. 3 is a top view thereof. The bottom view is a minor image of the top view.

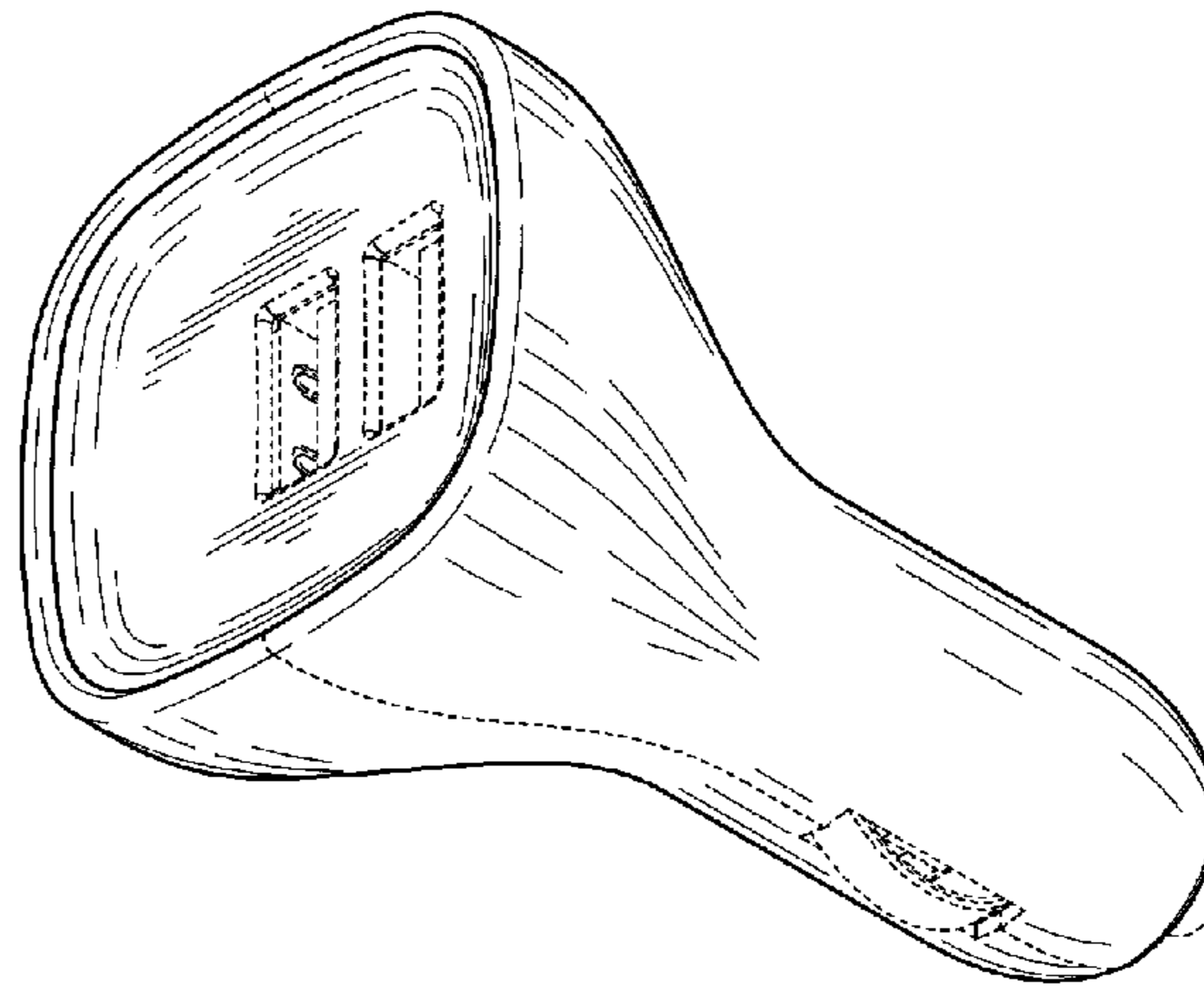
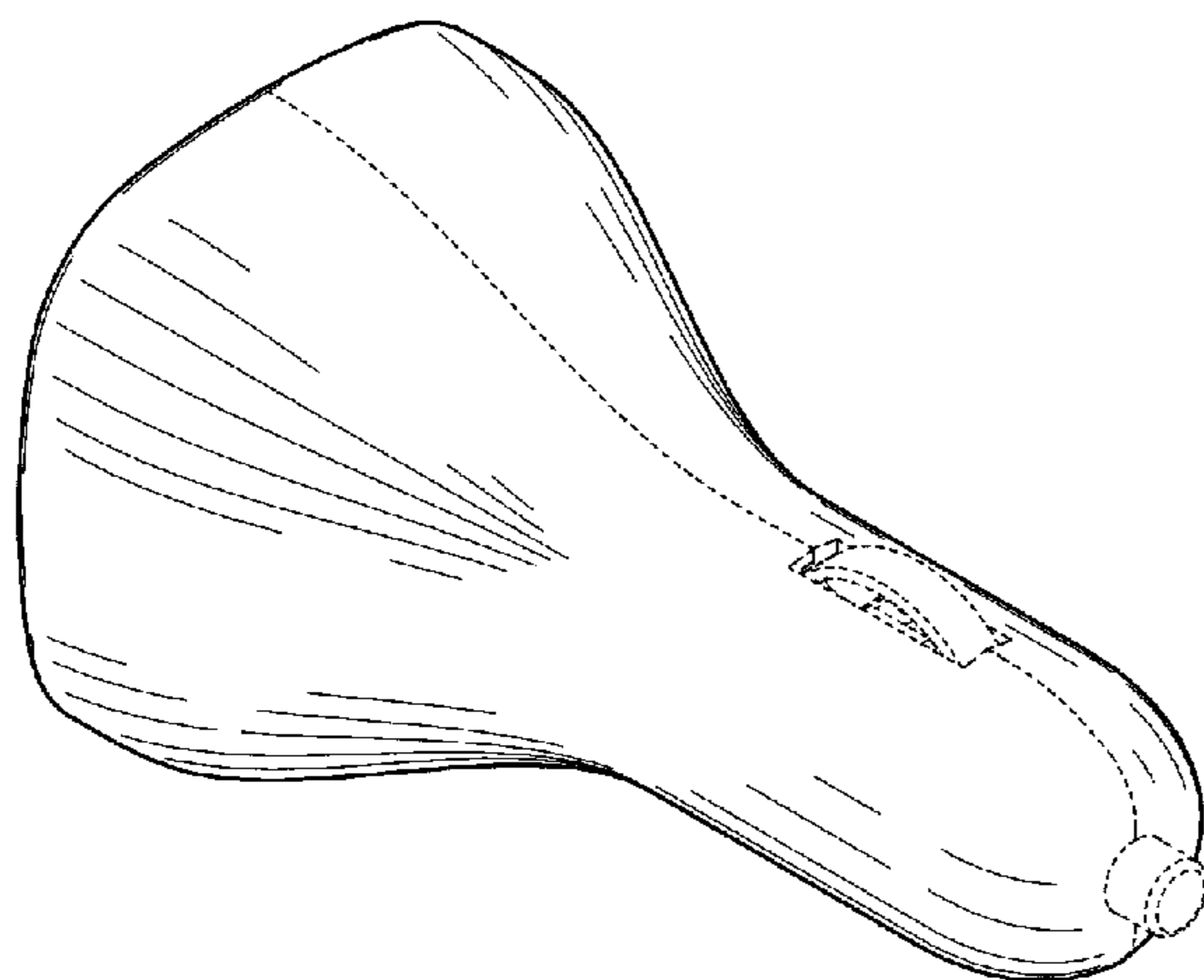
FIG. 4 is a right side view thereof. The left side view is a mirror image of the right side view.

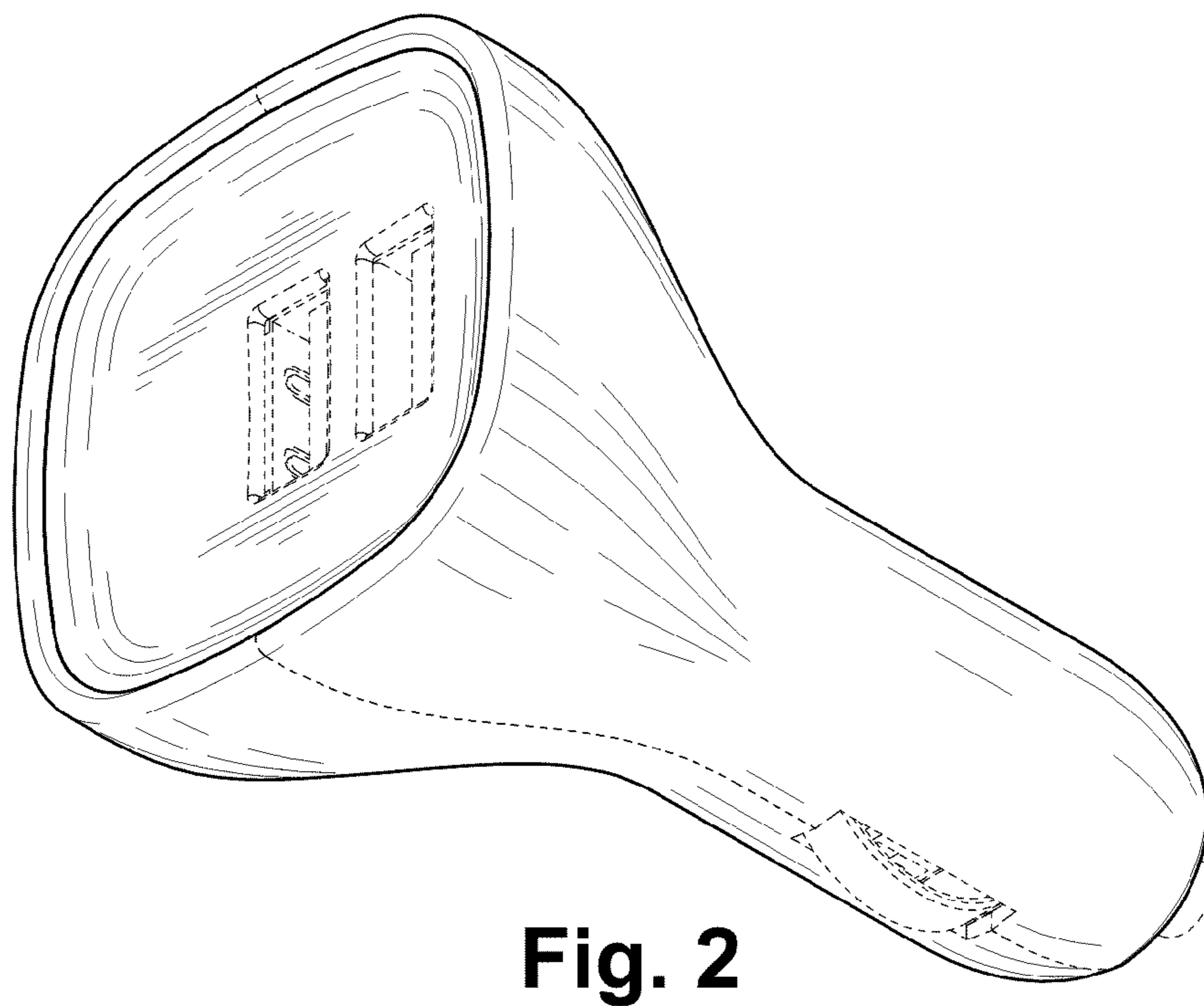
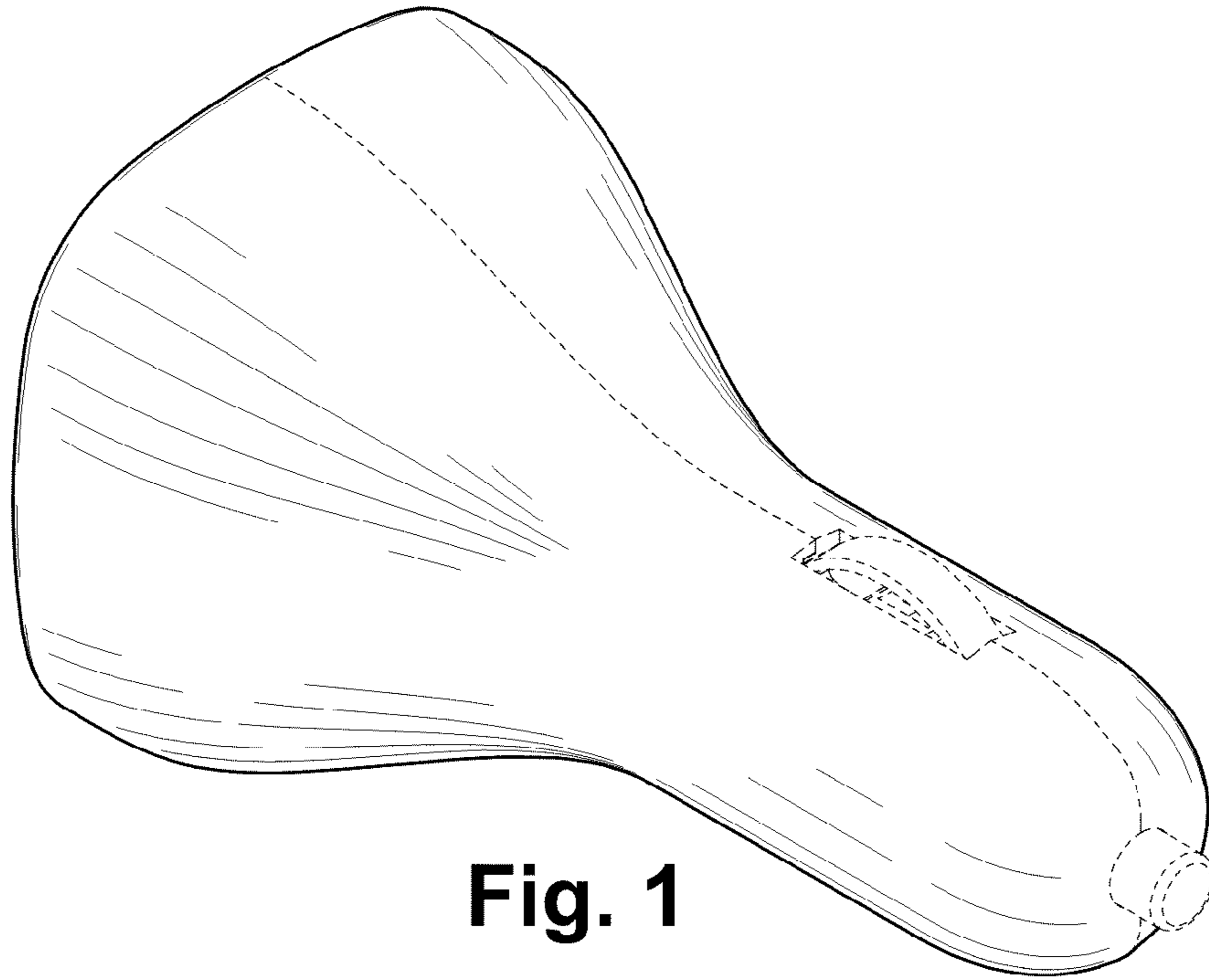
FIG. 5 is a rear view thereof; and,

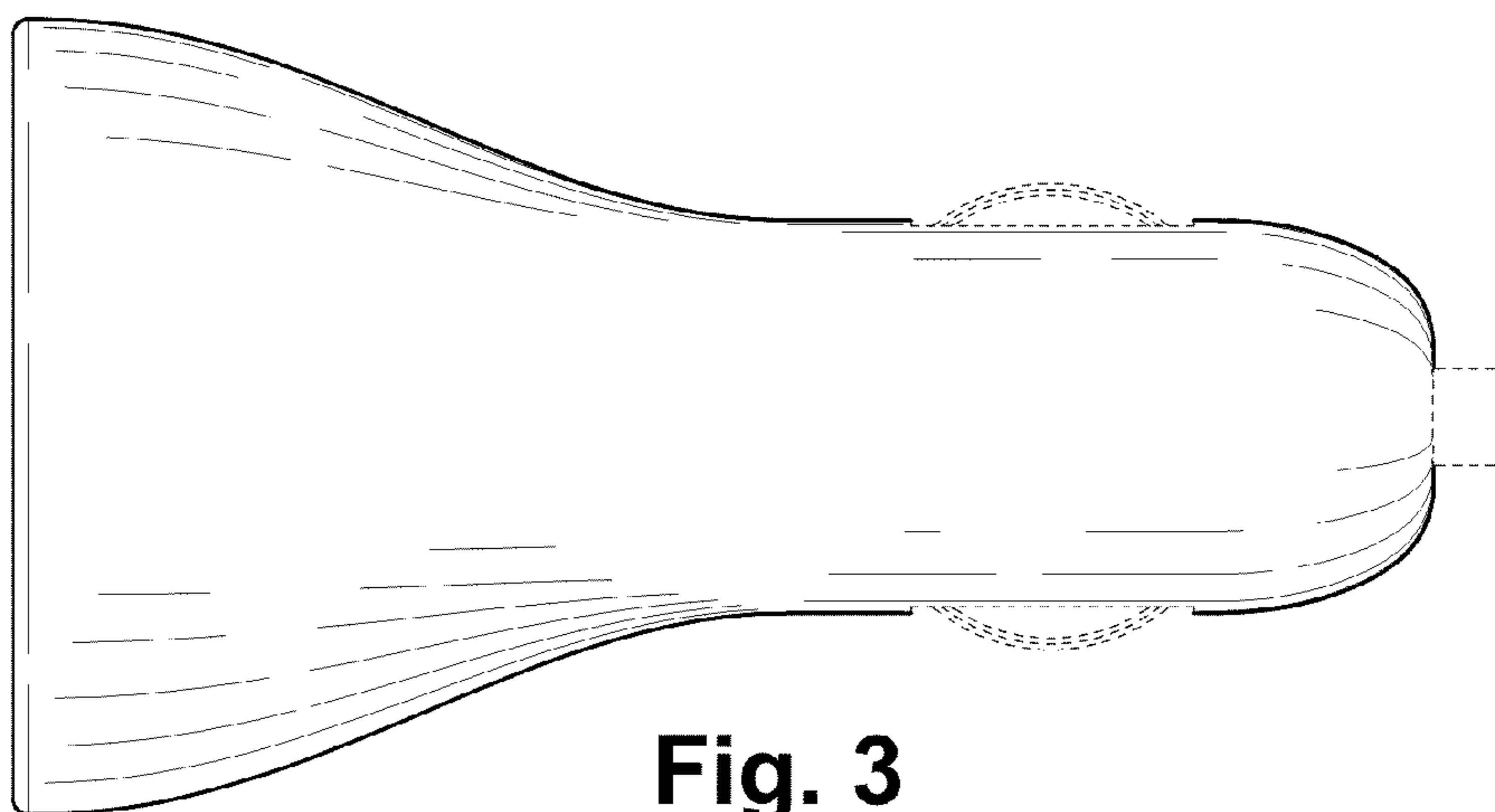
FIG. 6 is a front view thereof.

The broken line shown in the drawing views is included for the purpose of illustrating environment and forms no part of the claimed design.

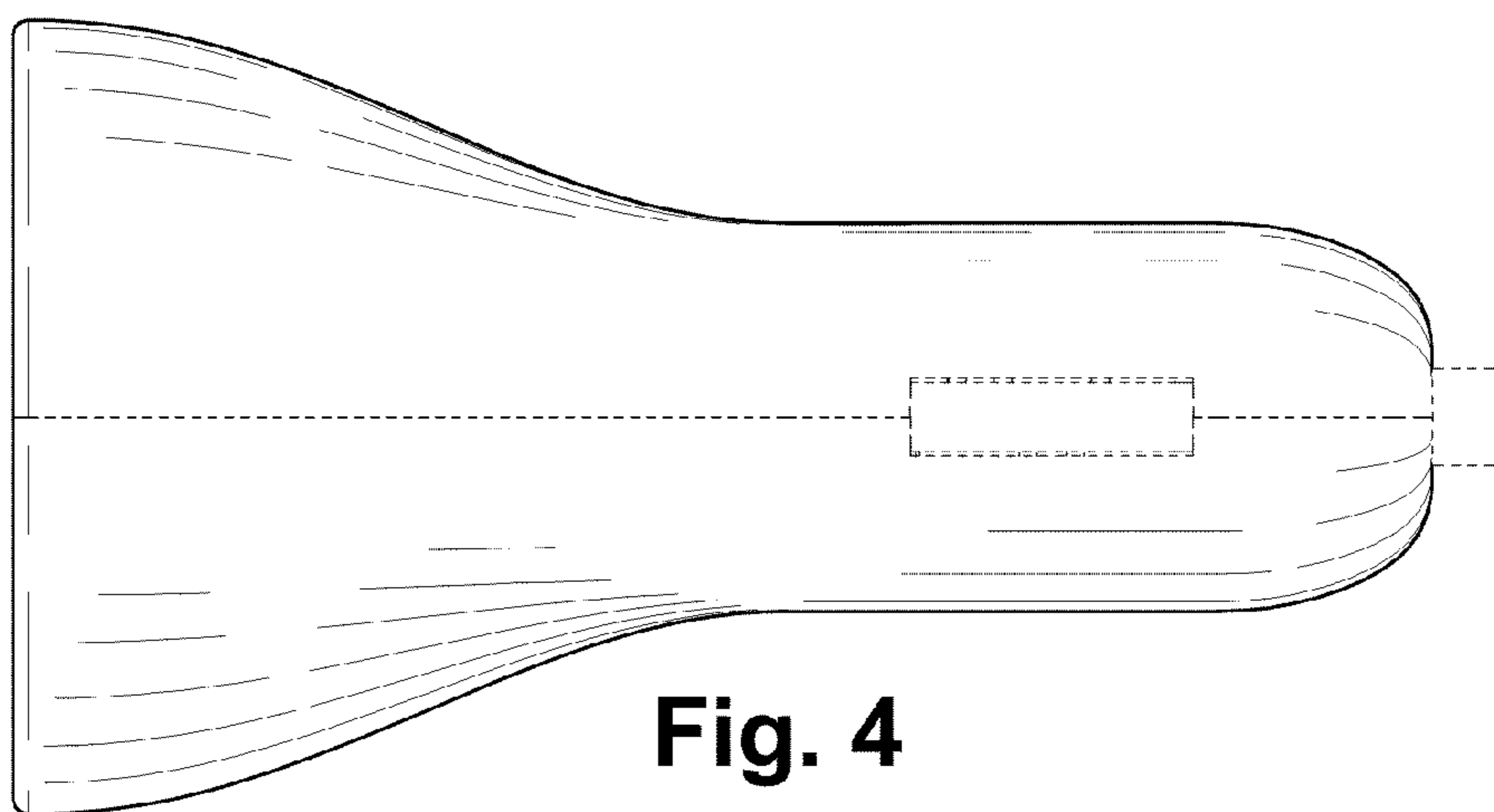
**1 Claim, 2 Drawing Sheets**



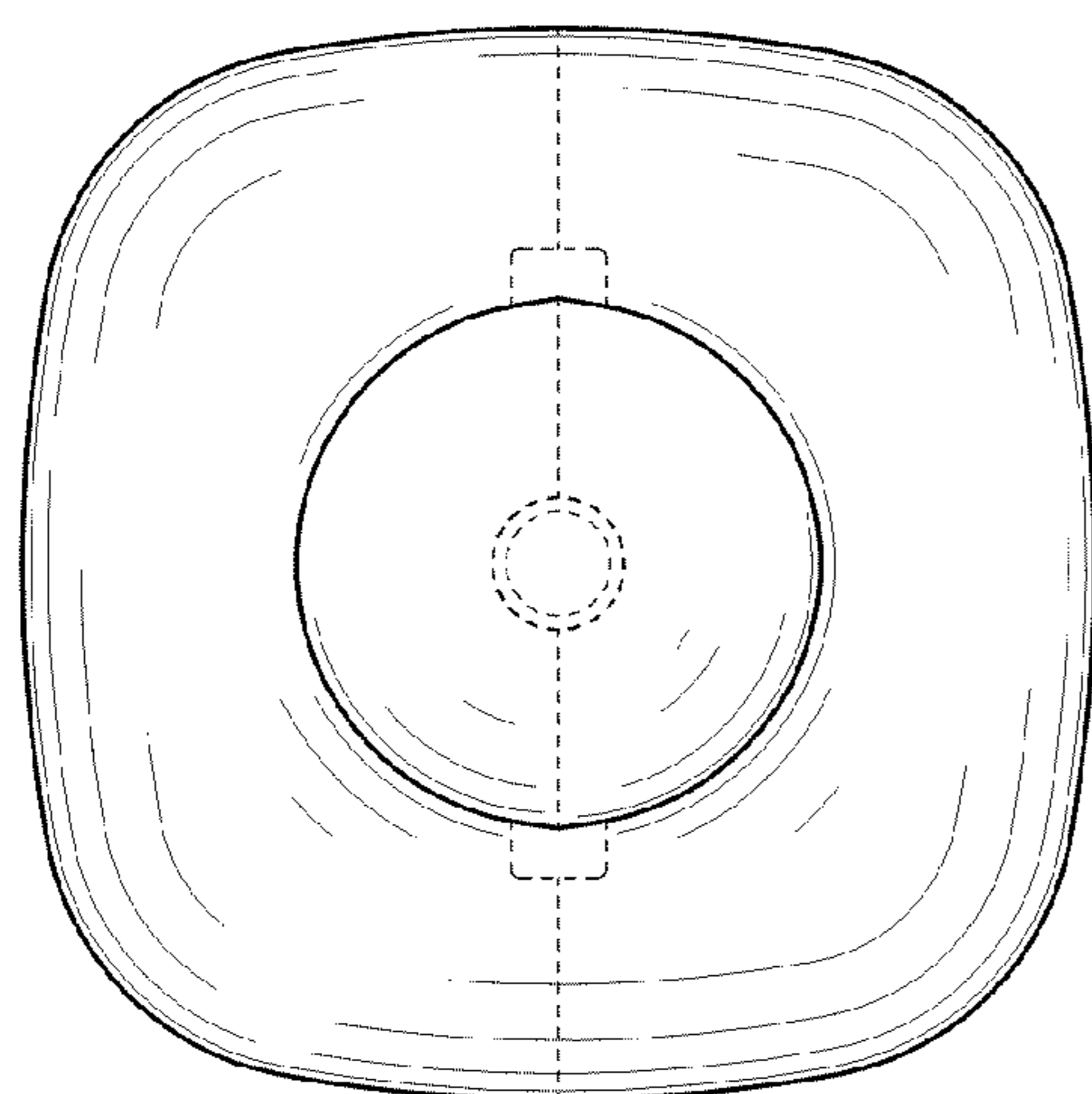




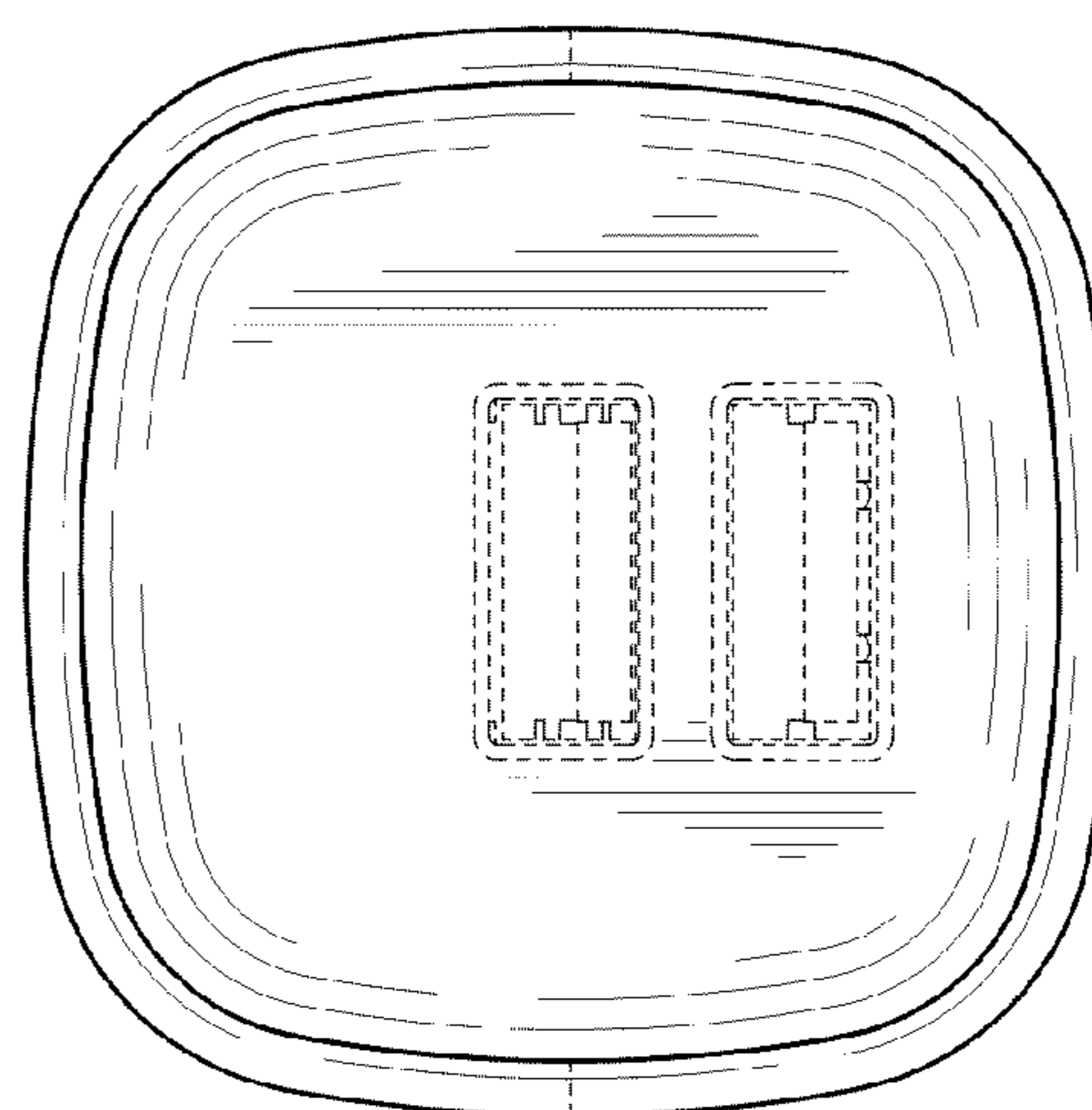
**Fig. 3**



**Fig. 4**



**Fig. 5**



**Fig. 6**