



US00D655245S

(12) **United States Design Patent**
Itoh et al.

(10) **Patent No.:** **US D655,245 S**
(45) **Date of Patent:** **** Mar. 6, 2012**

(54) **DC-AC INVERTER**

(75) Inventors: **Takafumi Itoh**, Hitachinaka (JP);
Masanori Okada, Hitachinaka (JP);
Miyoji Onose, Hitachinaka (JP)

(73) Assignee: **Hitachi Koki Co., Ltd**, Tokyo (JP)

(**) Term: **14 Years**

(21) Appl. No.: **29/385,644**

(22) Filed: **Feb. 17, 2011**

(30) **Foreign Application Priority Data**

Aug. 20, 2010 (JP) 2010-020186

(51) **LOC (9) Cl.** **13-02**

(52) **U.S. Cl.** **D13/110**

(58) **Field of Classification Search** D13/110,
D13/101, 102, 103, 107, 108, 118, 119, 123,
D13/184, 199; D15/14; 307/62, 82, 109,
307/150, 151; 320/104, 107, 111, 112, 113,
320/115, 132, 134, 150; 361/600, 601, 623;
429/96, 97, 98, 99, 100, 163, 170, 176

See application file for complete search history.

(56) **References Cited**

U.S. PATENT DOCUMENTS

D559,778 S * 1/2008 Tsuzuki et al. D13/110
D567,175 S * 4/2008 Knuteson et al. D13/112
D595,647 S * 7/2009 Shum et al. D13/110

D609,180 S * 2/2010 Suzuki et al. D13/110
D616,815 S * 6/2010 Jadraque Aznarez
et al. D13/110
D620,885 S * 8/2010 Donth D13/110

* cited by examiner

Primary Examiner — Derrick Holland

(74) *Attorney, Agent, or Firm* — Sughrue Mion, PLLC

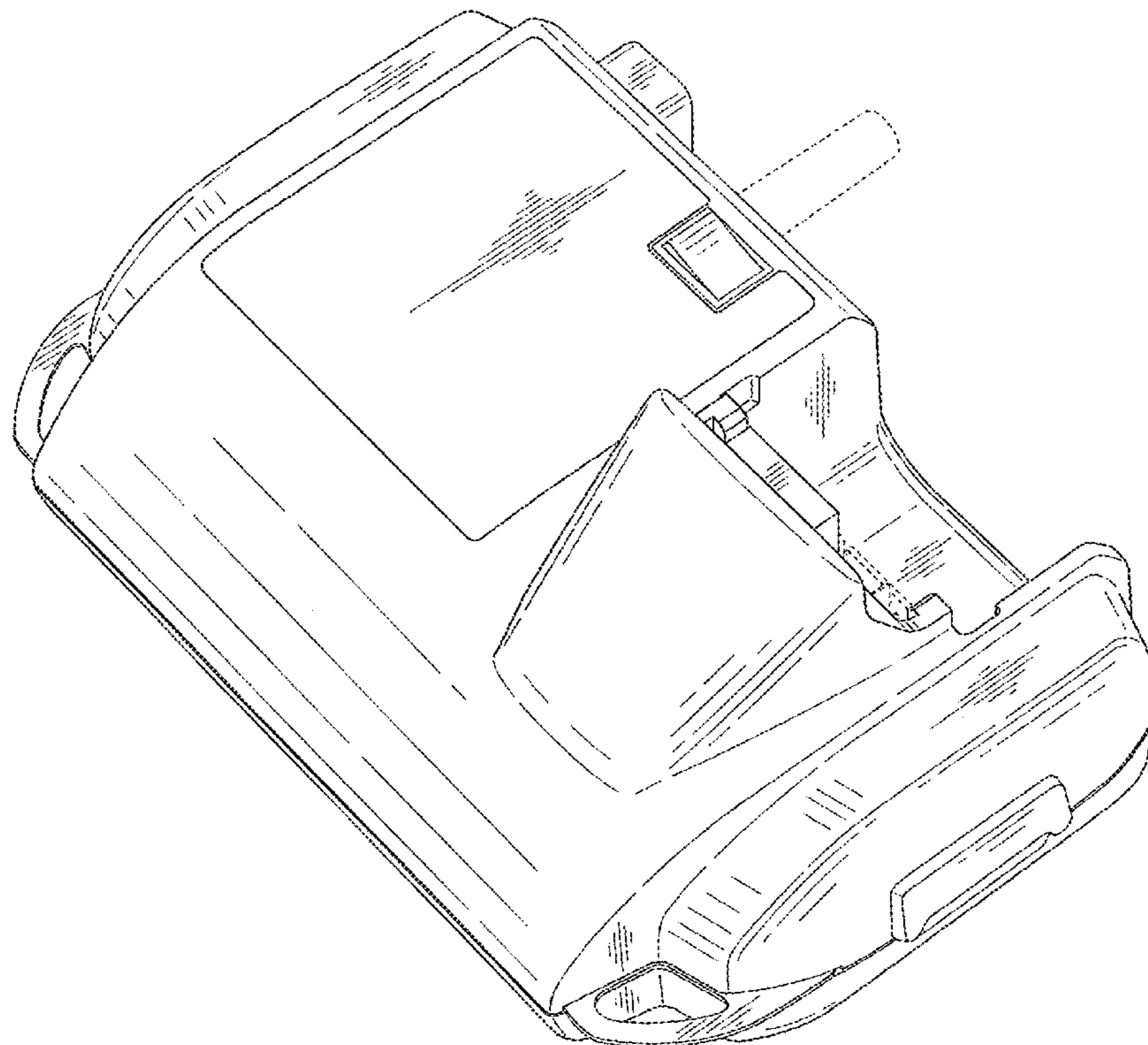
(57) **CLAIM**

The ornamental design for DC-AC inverter, as shown and described.

DESCRIPTION

FIG. 1 is a perspective view of the DC-AC inverter showing our new design;
FIG. 2 is a front view thereof;
FIG. 3 is a rear view thereof;
FIG. 4 is a top plan view thereof;
FIG. 5 is a bottom view thereof;
FIG. 6 is a left side view thereof;
FIG. 7 is a right side view thereof;
FIG. 8 is a reference perspective view of usage thereof; and,
FIG. 9 is a reference perspective view of usage thereof.
The broken lines shown represent unclaimed subject matter and form no part of the claimed design.

1 Claim, 7 Drawing Sheets



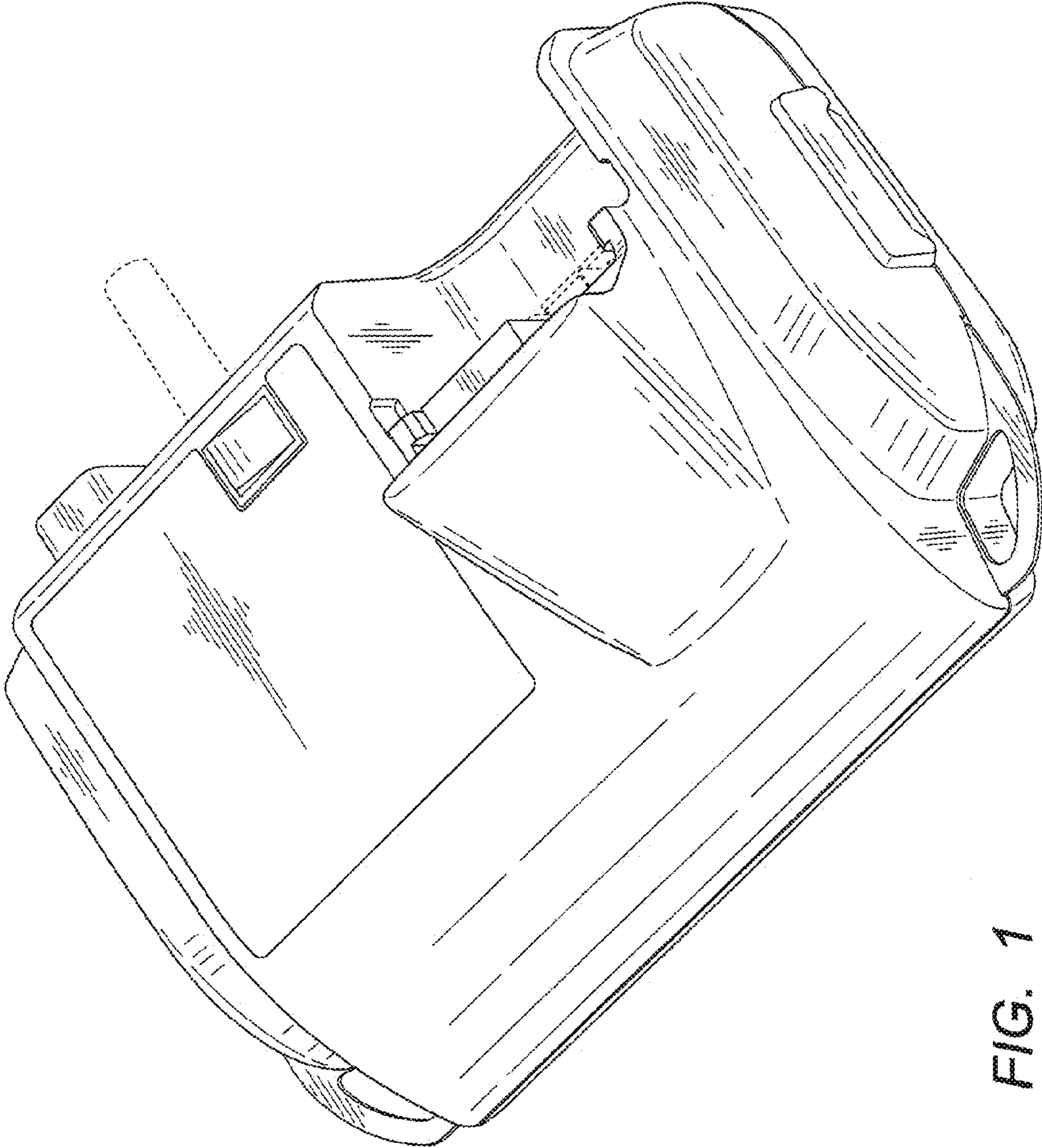


FIG. 1

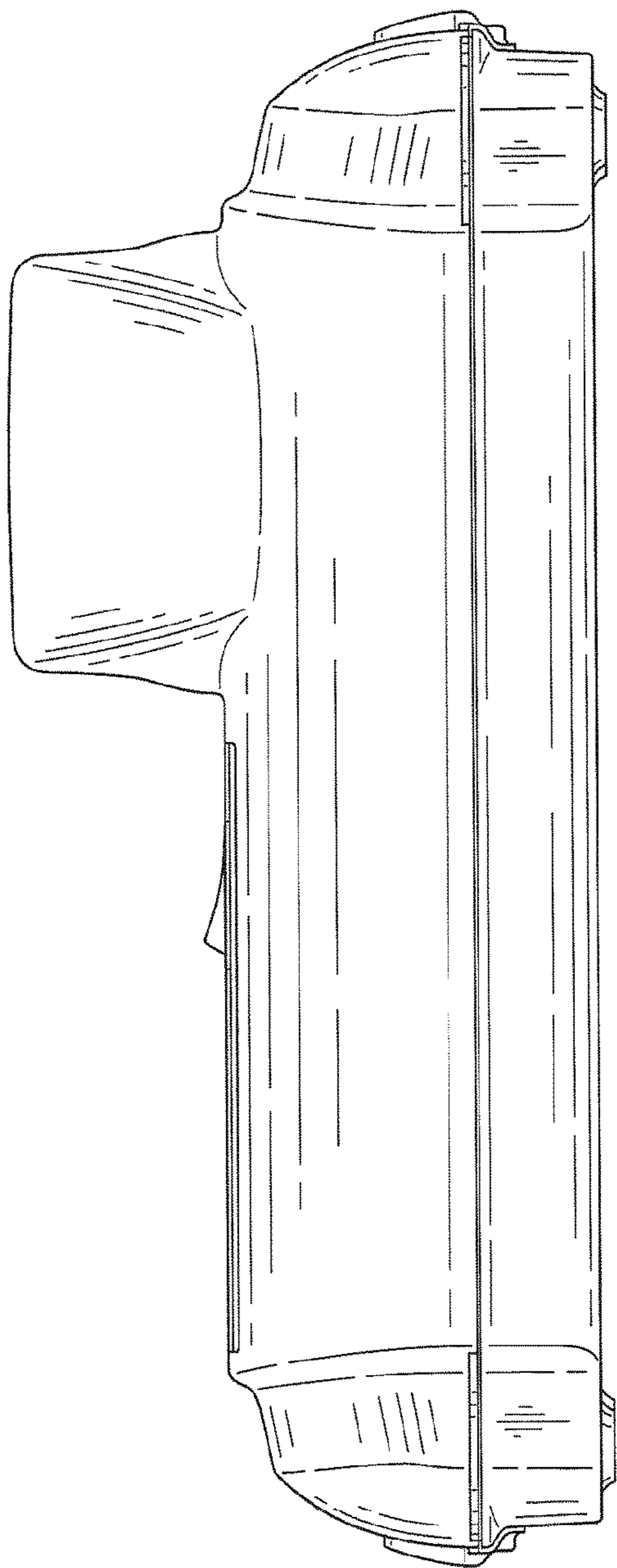


FIG. 2

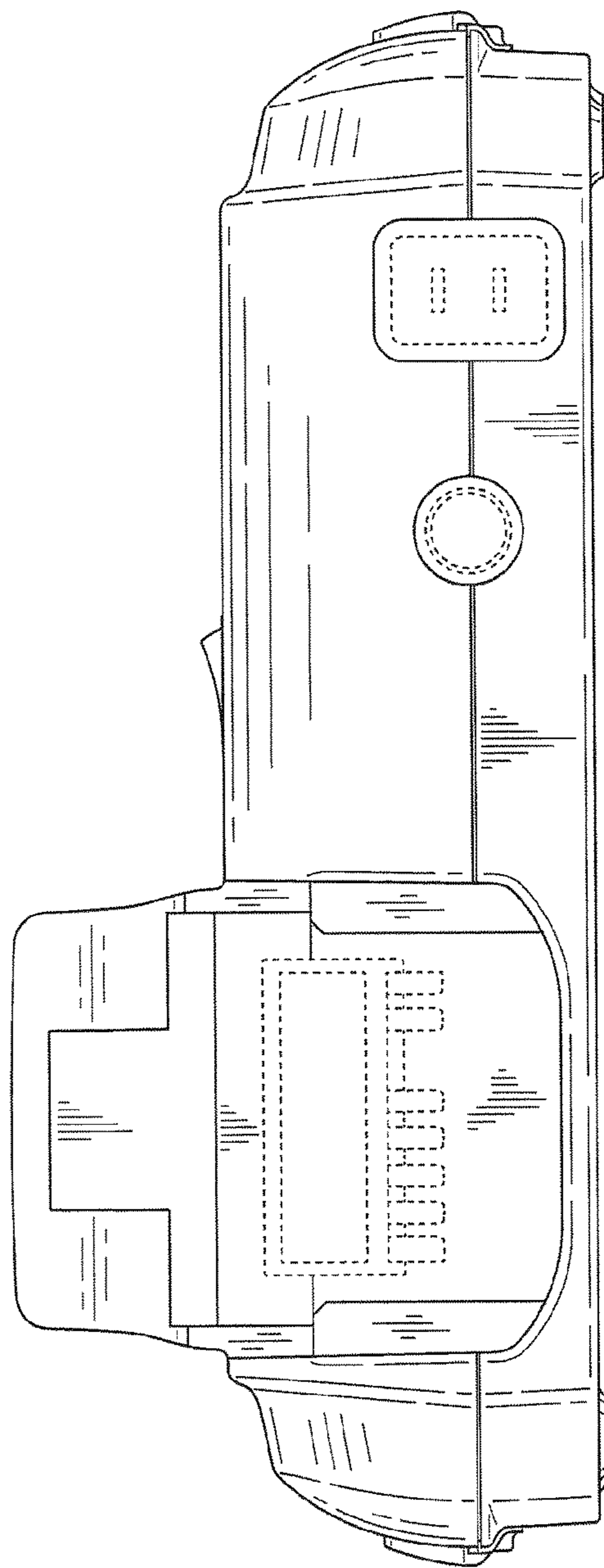


FIG. 3

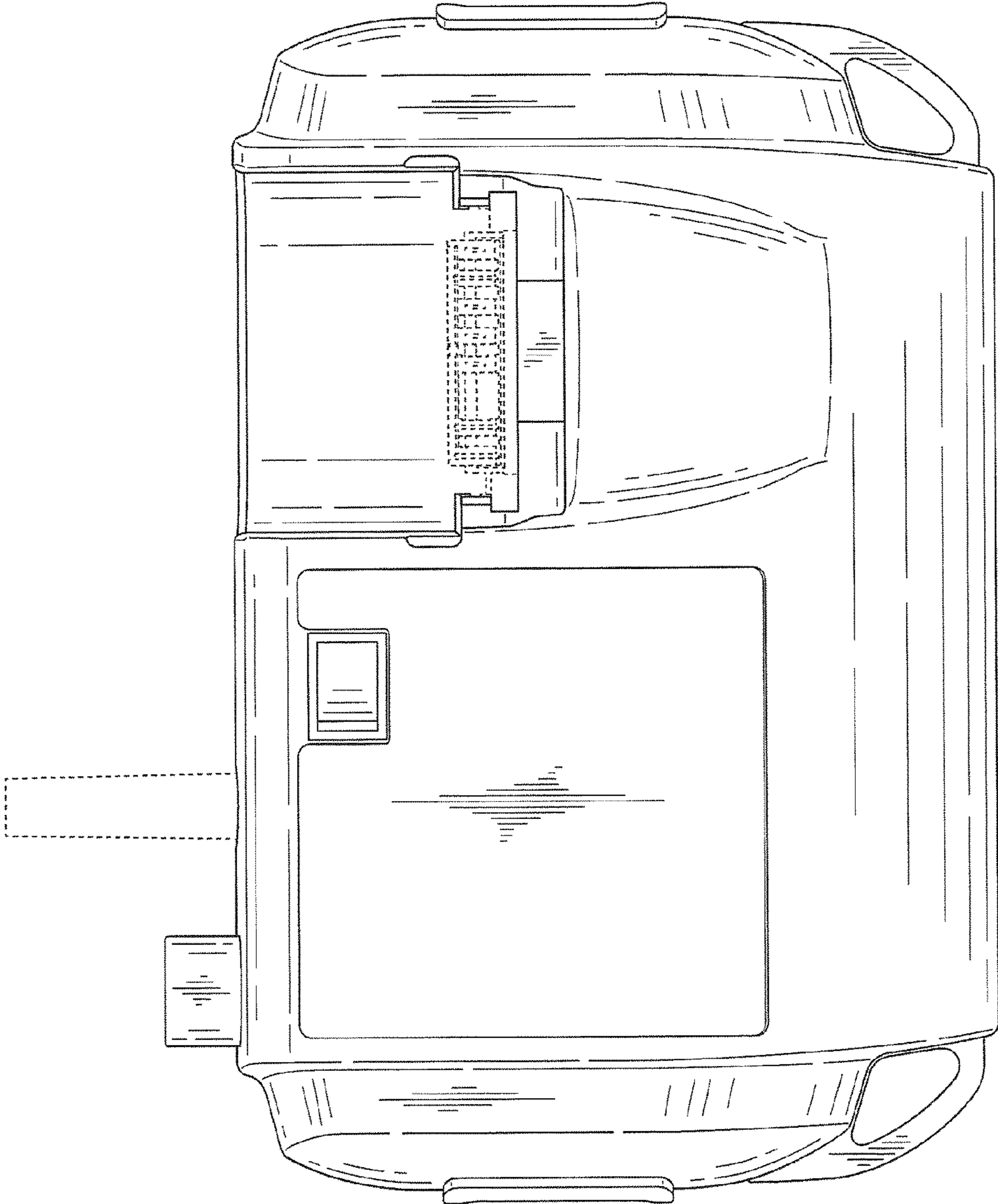


FIG. 4

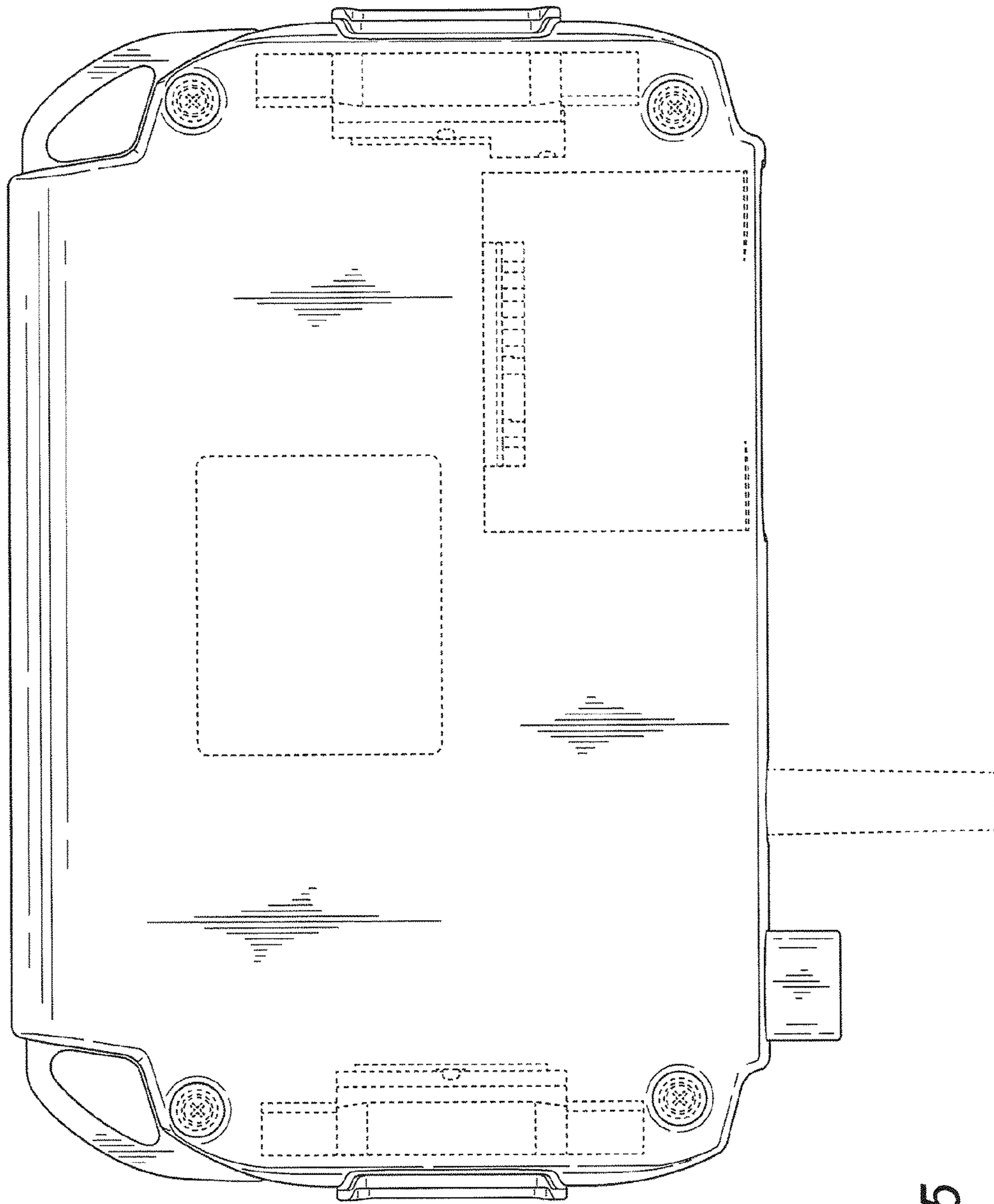


FIG. 5

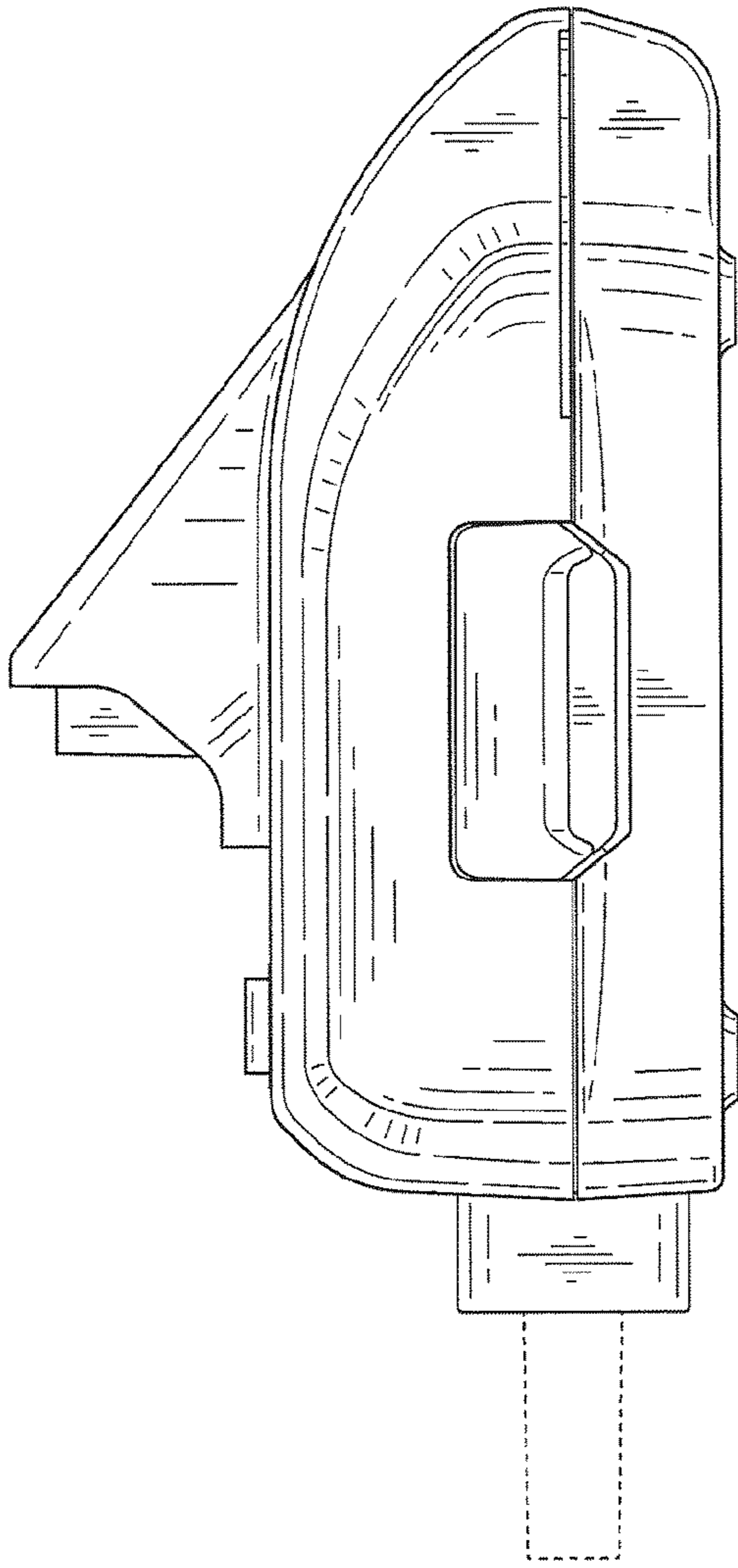


FIG. 6

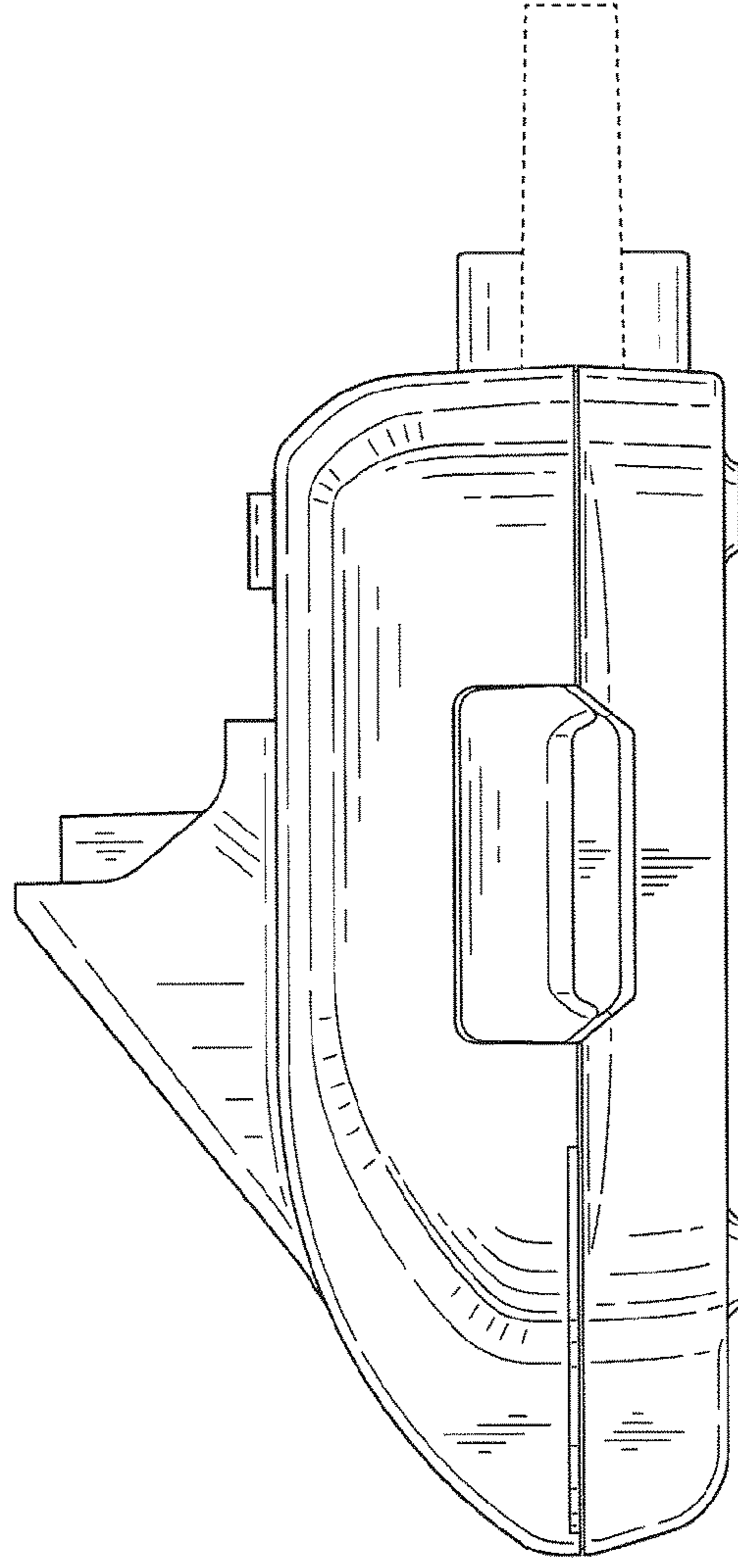


FIG. 7

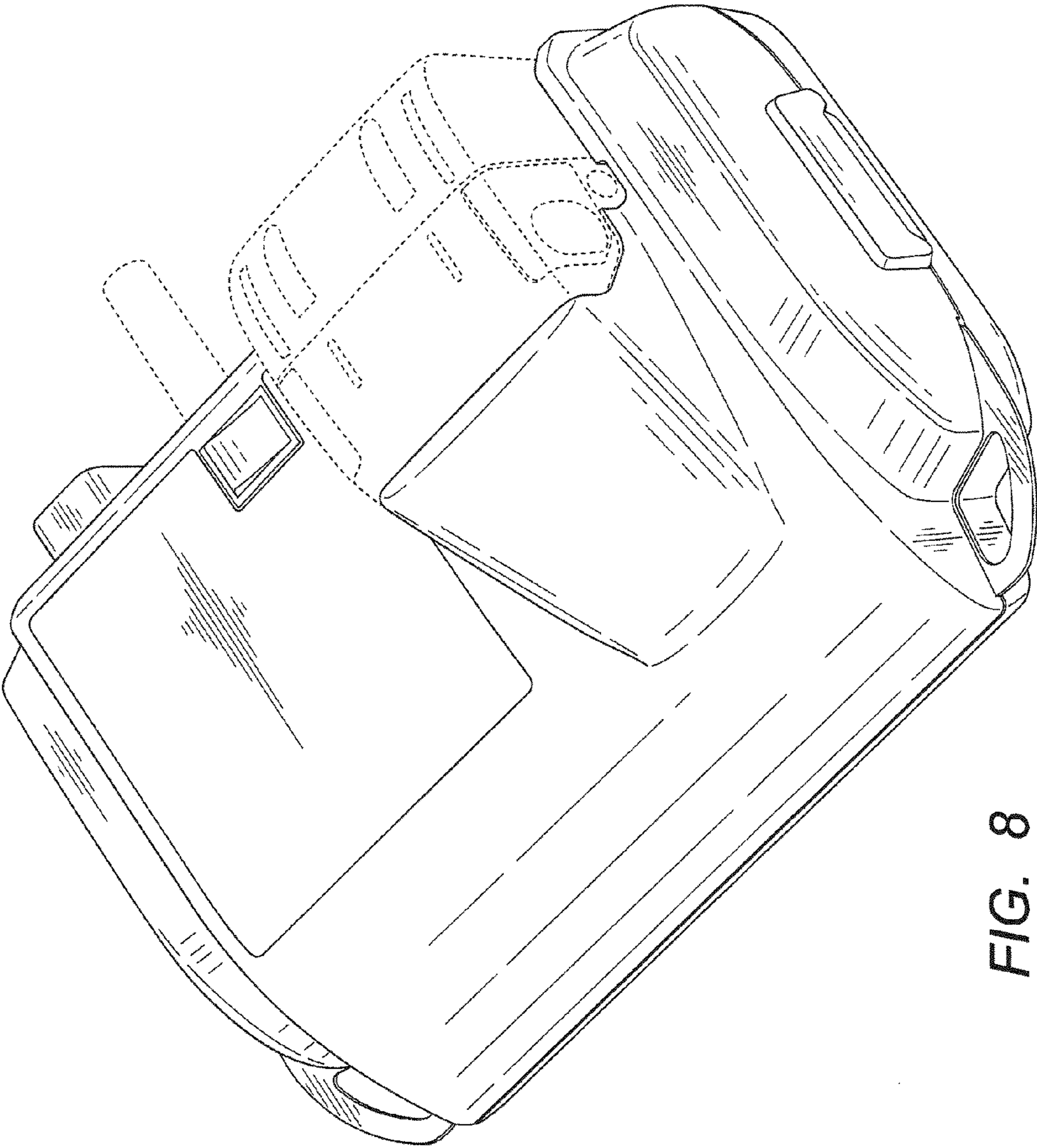


FIG. 8

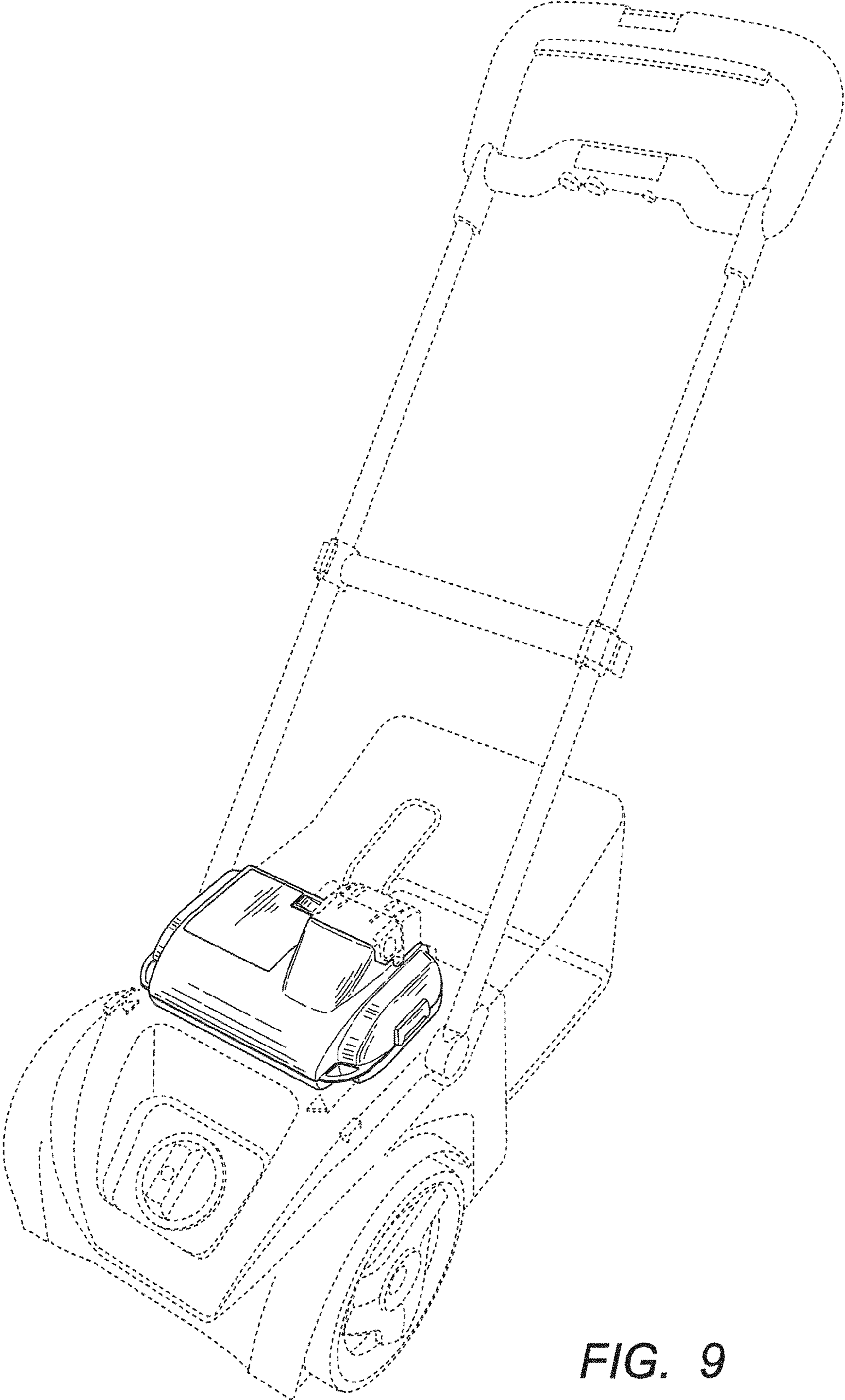


FIG. 9