



US00D655244S

(12) **United States Design Patent**
Au

(10) **Patent No.:** **US D655,244 S**
(45) **Date of Patent:** **** Mar. 6, 2012**

(54) **CUBE TRAVEL CHARGER**

(75) Inventor: **Ka Hung Au**, Hong Kong (CN)

(73) Assignee: **Ever Win International Corporation**,
City of Industry, CA (US)

(**) Term: **14 Years**

(21) Appl. No.: **29/399,900**

(22) Filed: **Aug. 19, 2011**

(51) **LOC (9) Cl.** **13-02**

(52) **U.S. Cl.** **D13/108**

(58) **Field of Classification Search** D13/107-110,
D13/118-119, 138.1-138.2, 184, 199; D14/251,
D14/253, 432, 434; 320/107-115
See application file for complete search history.

(56) **References Cited**

U.S. PATENT DOCUMENTS

| | | | | |
|--------------|---------|--------------------|-------|-----------|
| D209,403 S * | 11/1967 | Watanabe | | D13/110 |
| D212,763 S * | 11/1968 | Schellens | | D13/110 |
| D573,946 S * | 7/2008 | Ledbetter et al. | | D13/110 |
| D610,992 S * | 3/2010 | Fahrendorff et al. | | D13/138.1 |
| D610,993 S * | 3/2010 | Fahrendorff et al. | | D13/138.1 |
| D611,415 S * | 3/2010 | Andre et al. | | D13/138.1 |
| D617,275 S * | 6/2010 | Fahrendorff et al. | | D13/138.1 |
| D623,136 S * | 9/2010 | Andre et al. | | D13/138.1 |

| | | | | |
|-------------------|---------|---------------|-------|-----------|
| D627,728 S * | 11/2010 | Smith et al. | | D13/138.1 |
| D627,729 S * | 11/2010 | Smith et al. | | D13/138.1 |
| D638,357 S * | 5/2011 | Sasada et al. | | D13/110 |
| D642,524 S * | 8/2011 | Fitch et al. | | D13/110 |
| 2010/0117597 A1 * | 5/2010 | Wang | | 320/111 |

* cited by examiner

Primary Examiner — Rosemary K Tarcza

(74) *Attorney, Agent, or Firm* — Joe Nieh

(57) **CLAIM**

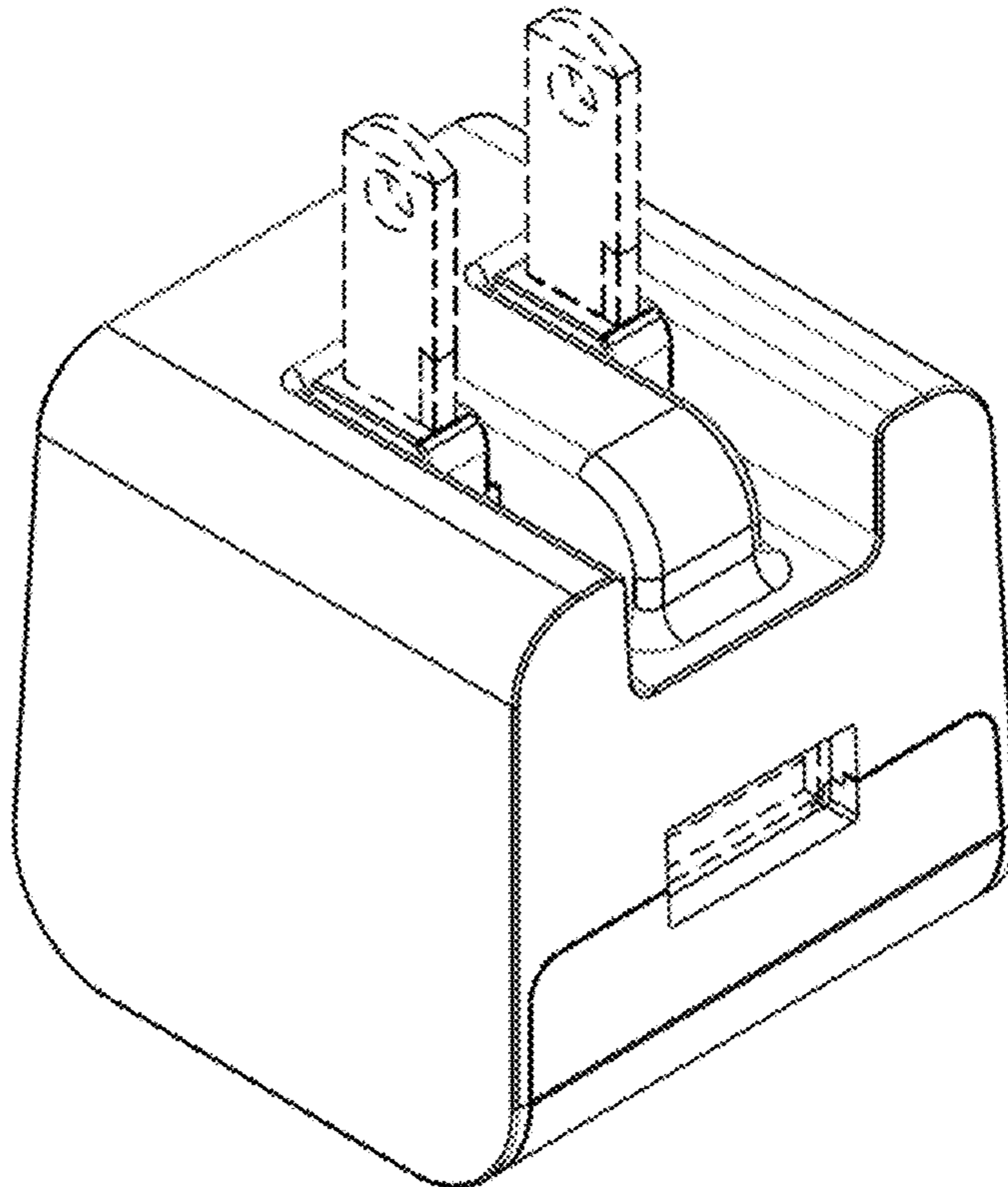
The ornamental design for a cube travel charger, as shown and described.

DESCRIPTION

FIG. 1 is a rear perspective view of a cube travel charger showing my new design;
FIG. 2 is a front perspective view thereof;
FIG. 3 is a front view thereof;
FIG. 4 is a top plan view thereof;
FIG. 5 is a rear view thereof;
FIG. 6 is a left side view thereof;
FIG. 7 is a right side view thereof; and,
FIG. 8 is a bottom plan view thereof.

The broken lines shown in the drawings are included for the purpose of illustrating unclaimed portions of the cube travel charger and form no part of the claimed design.

1 Claim, 8 Drawing Sheets



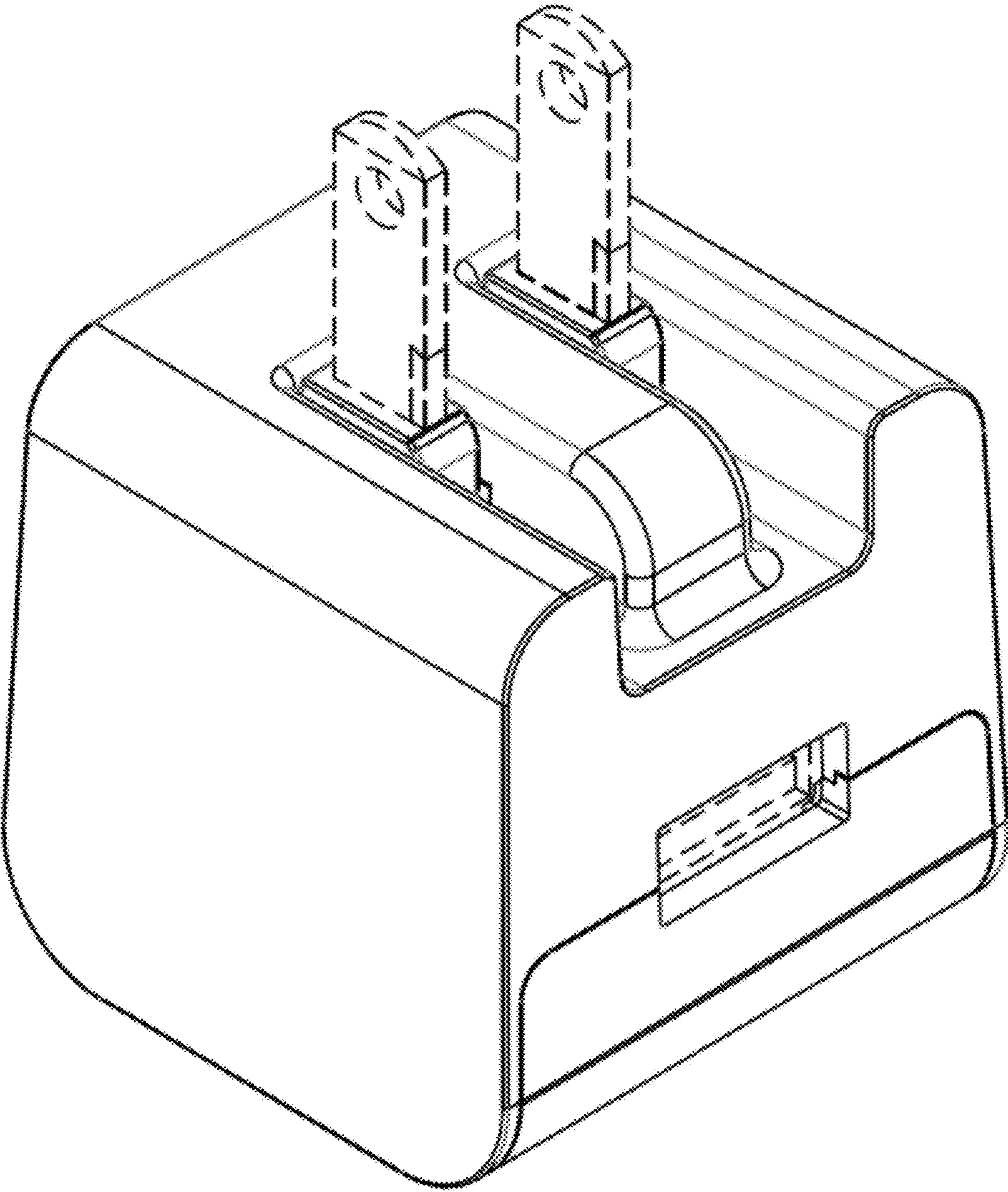


Fig. 1

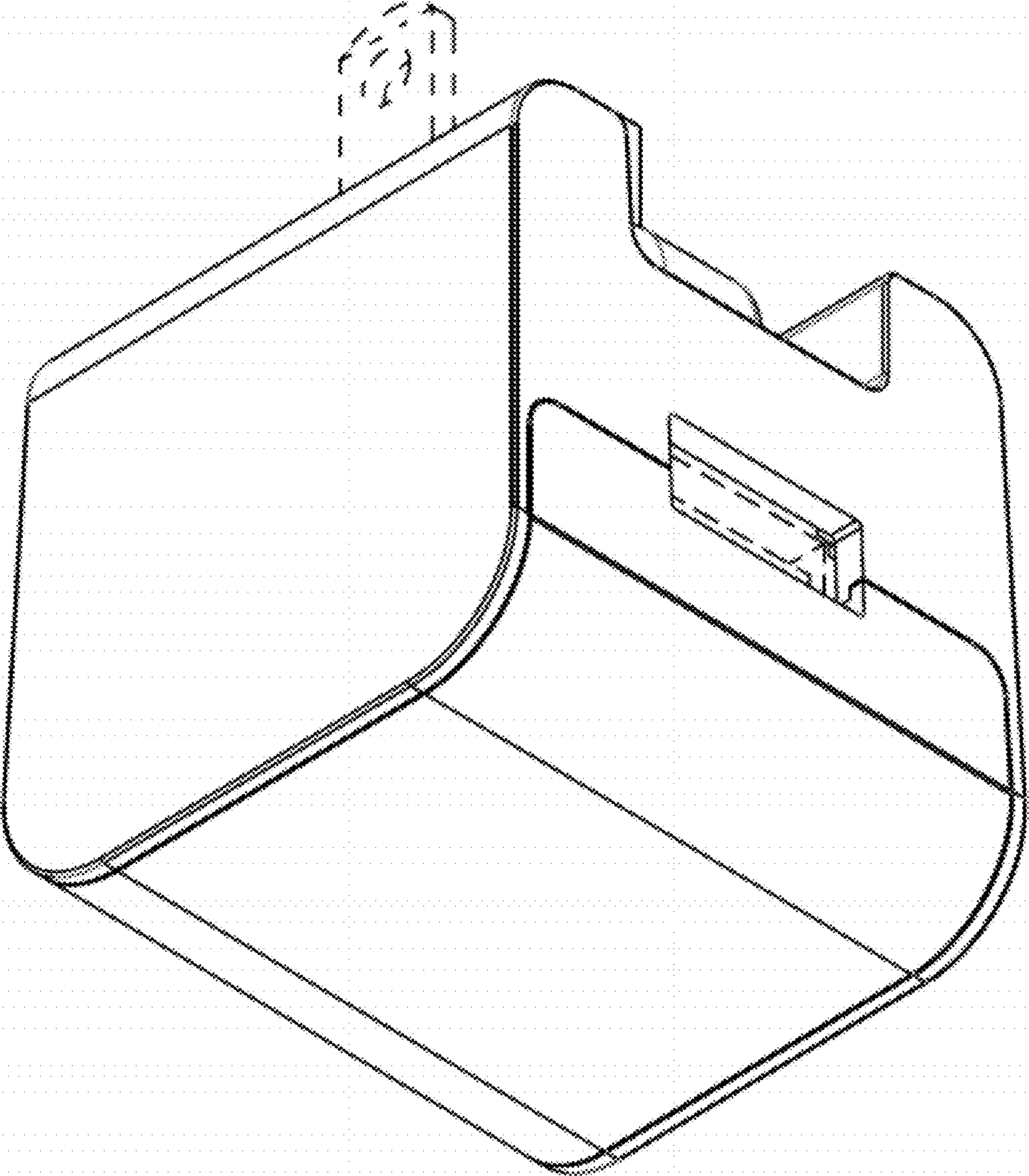


Fig. 2

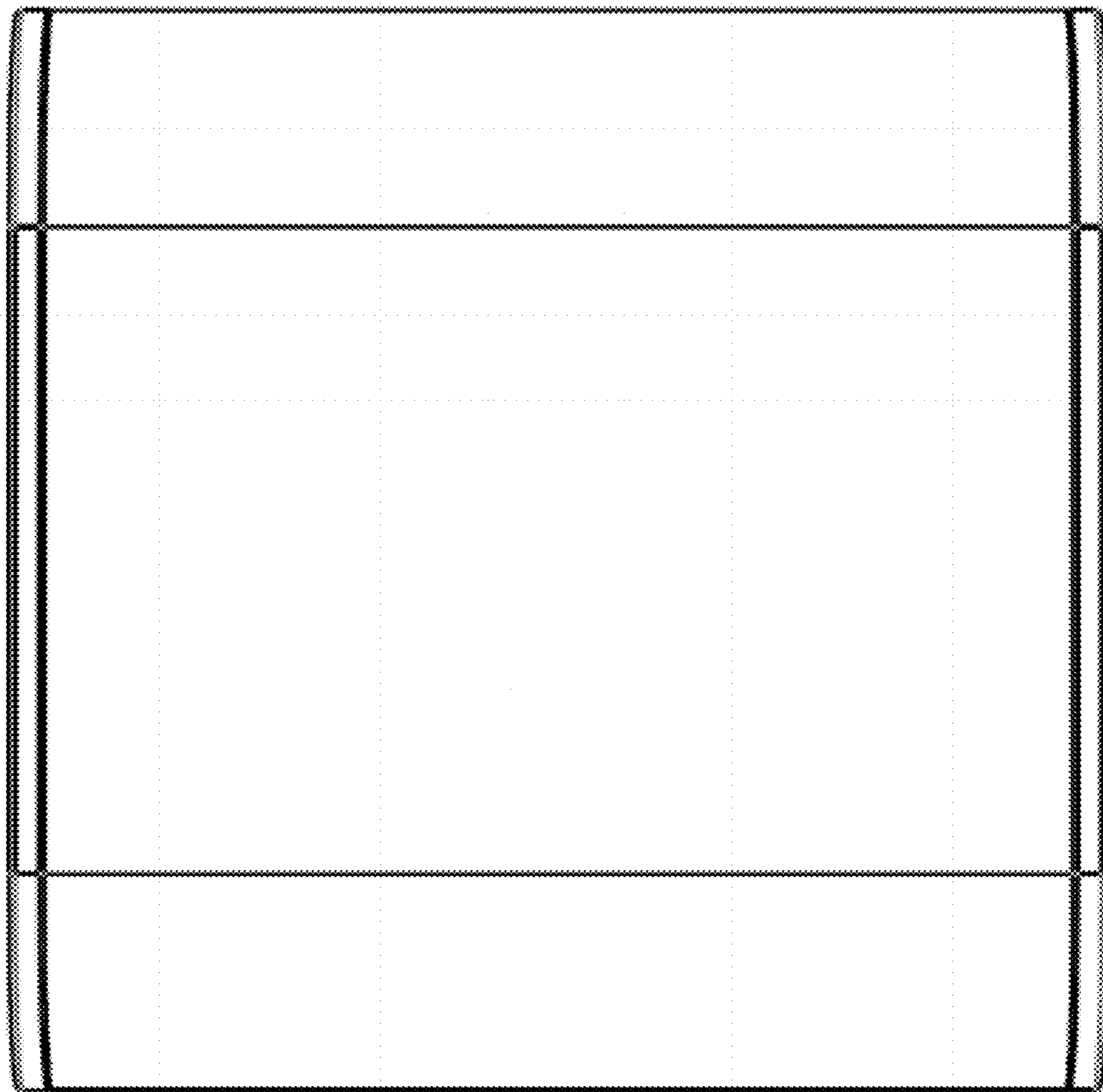


Fig. 3

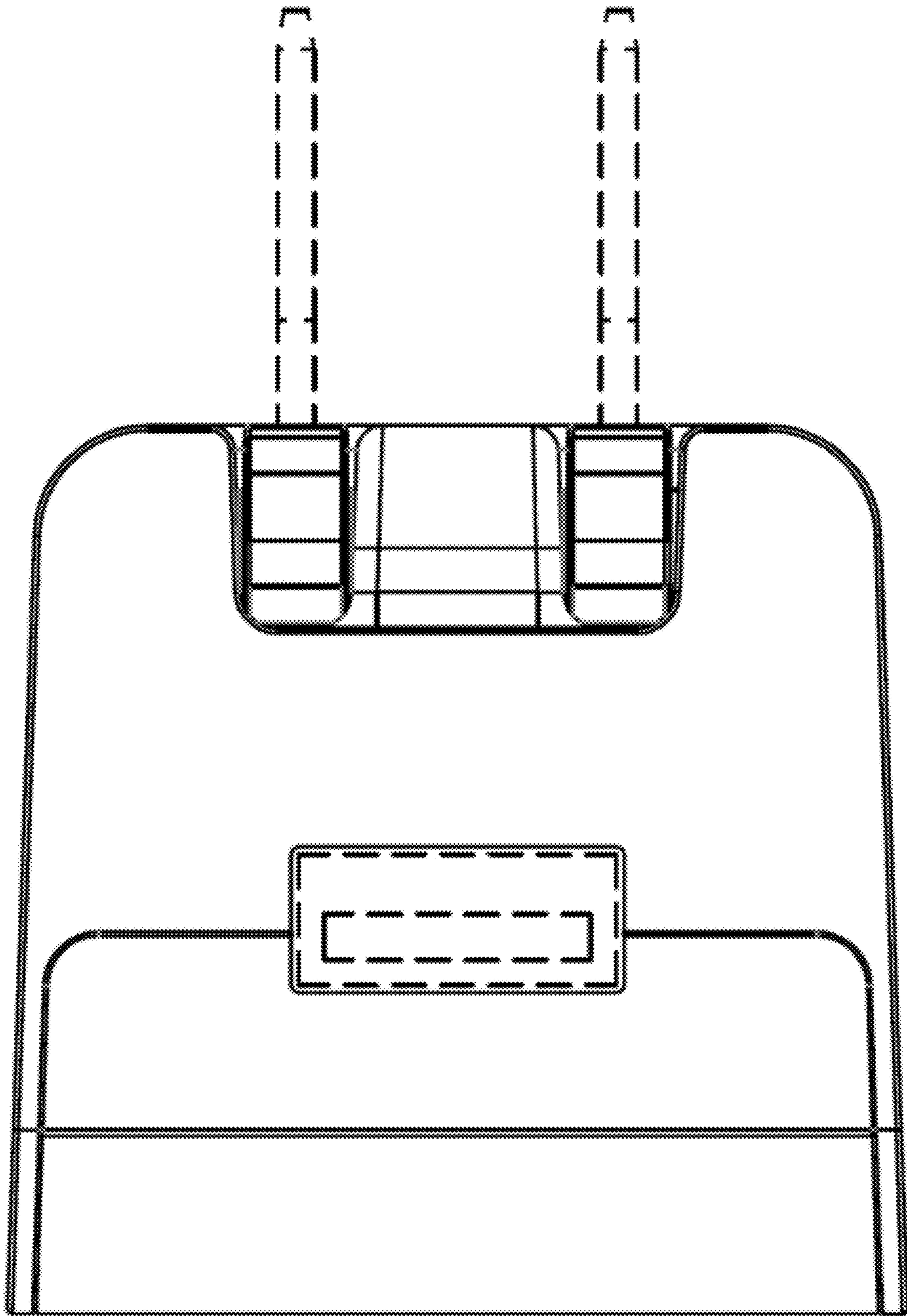


Fig. 4

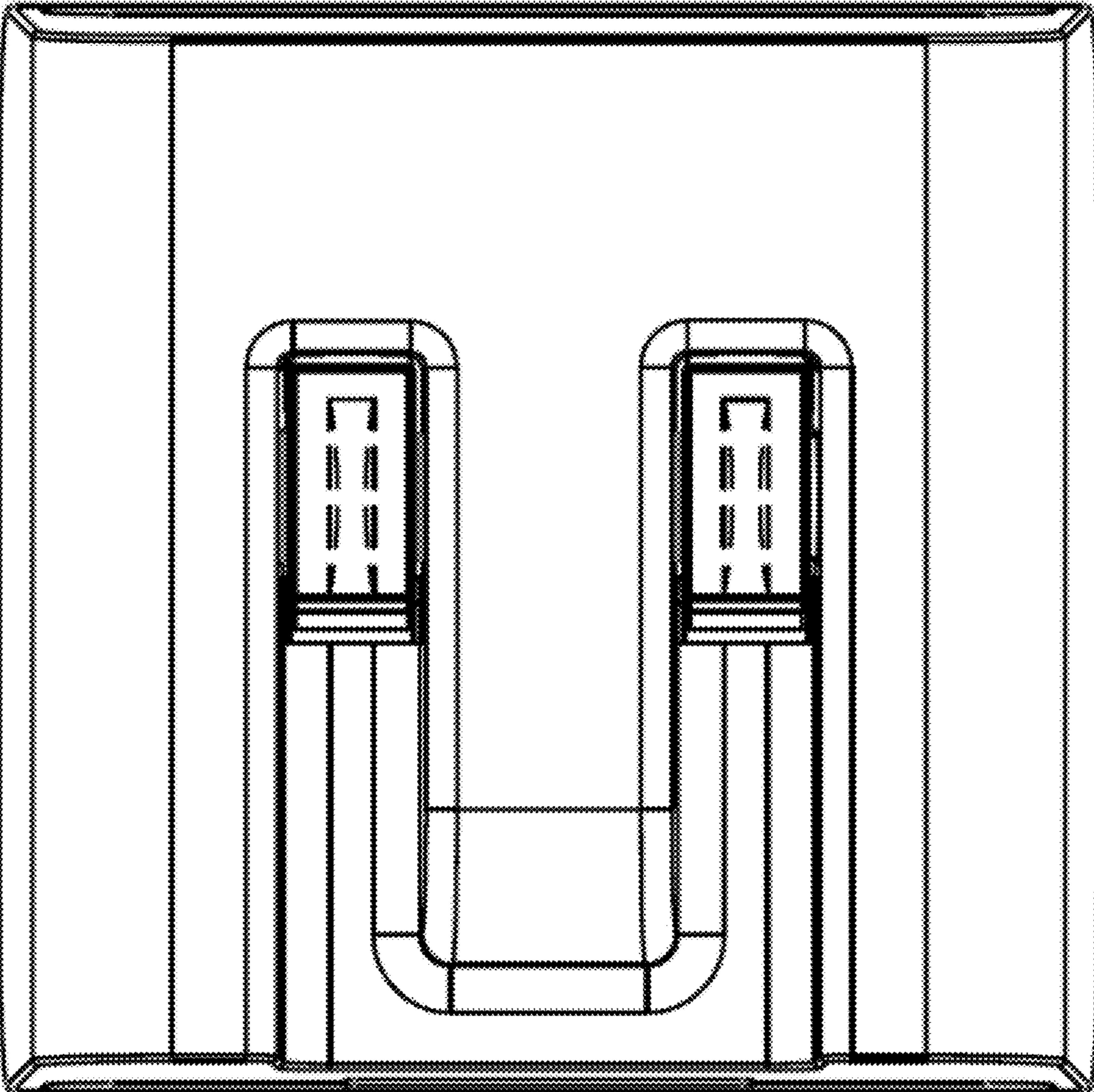


Fig. 5

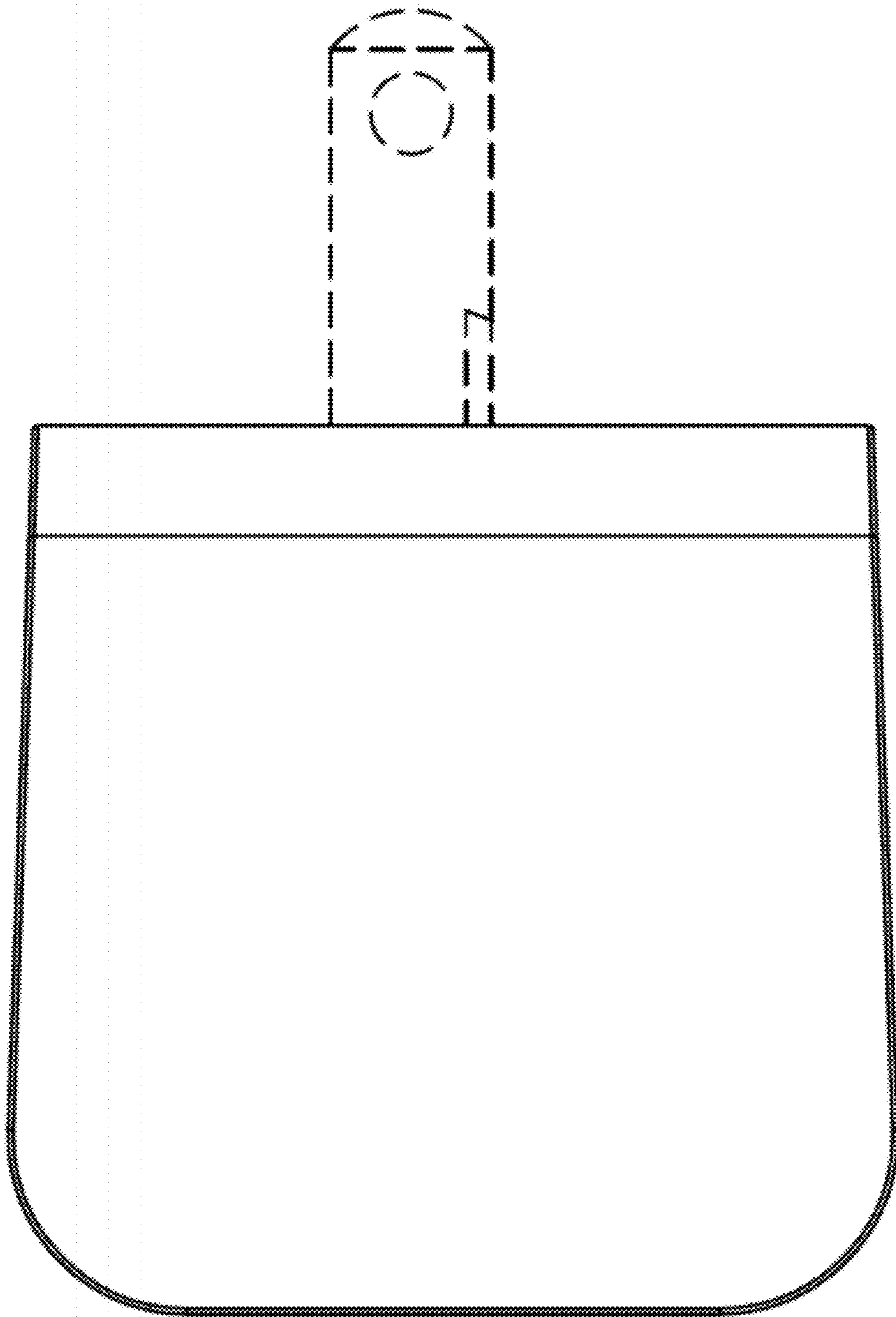


Fig. 6

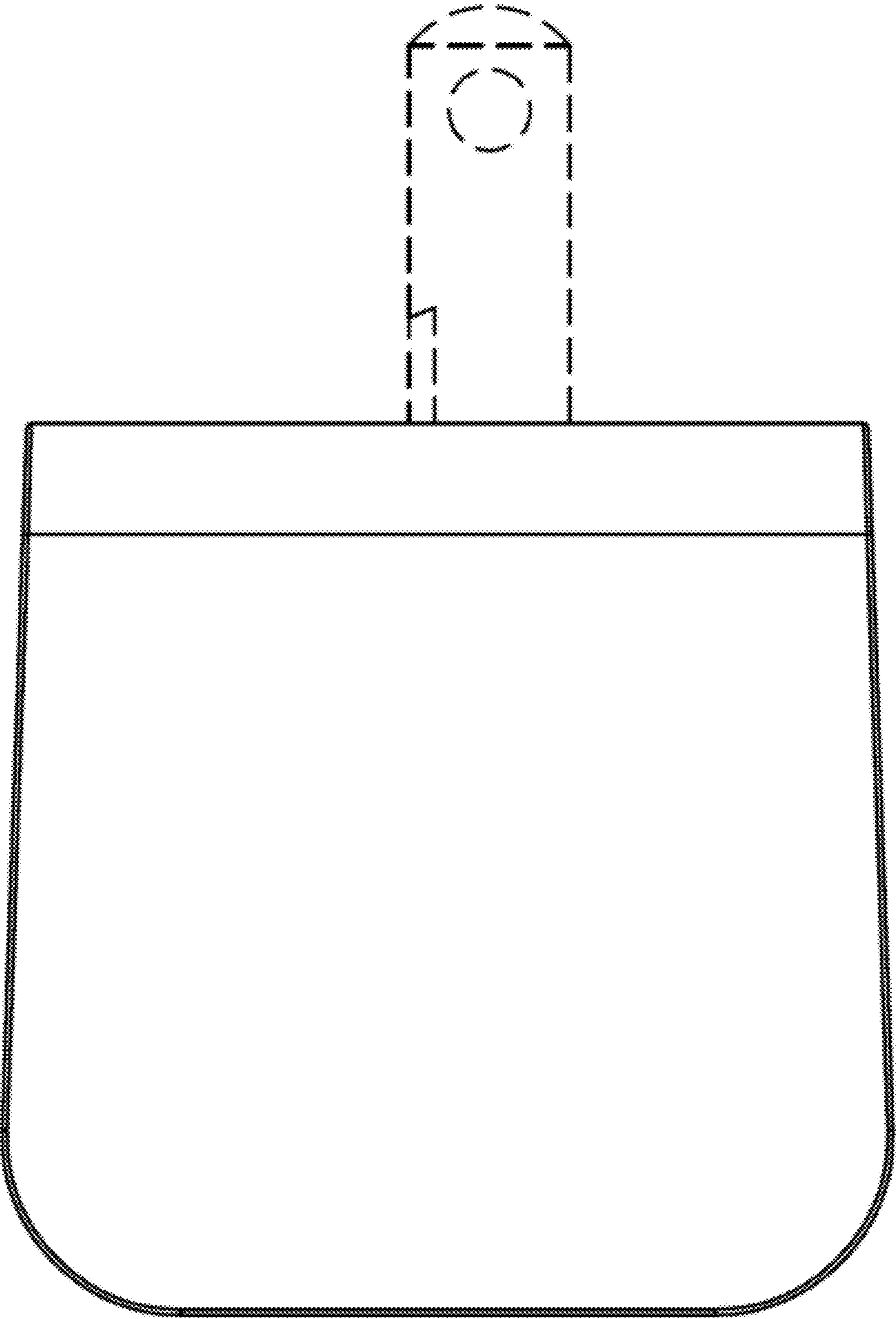


Fig. 7

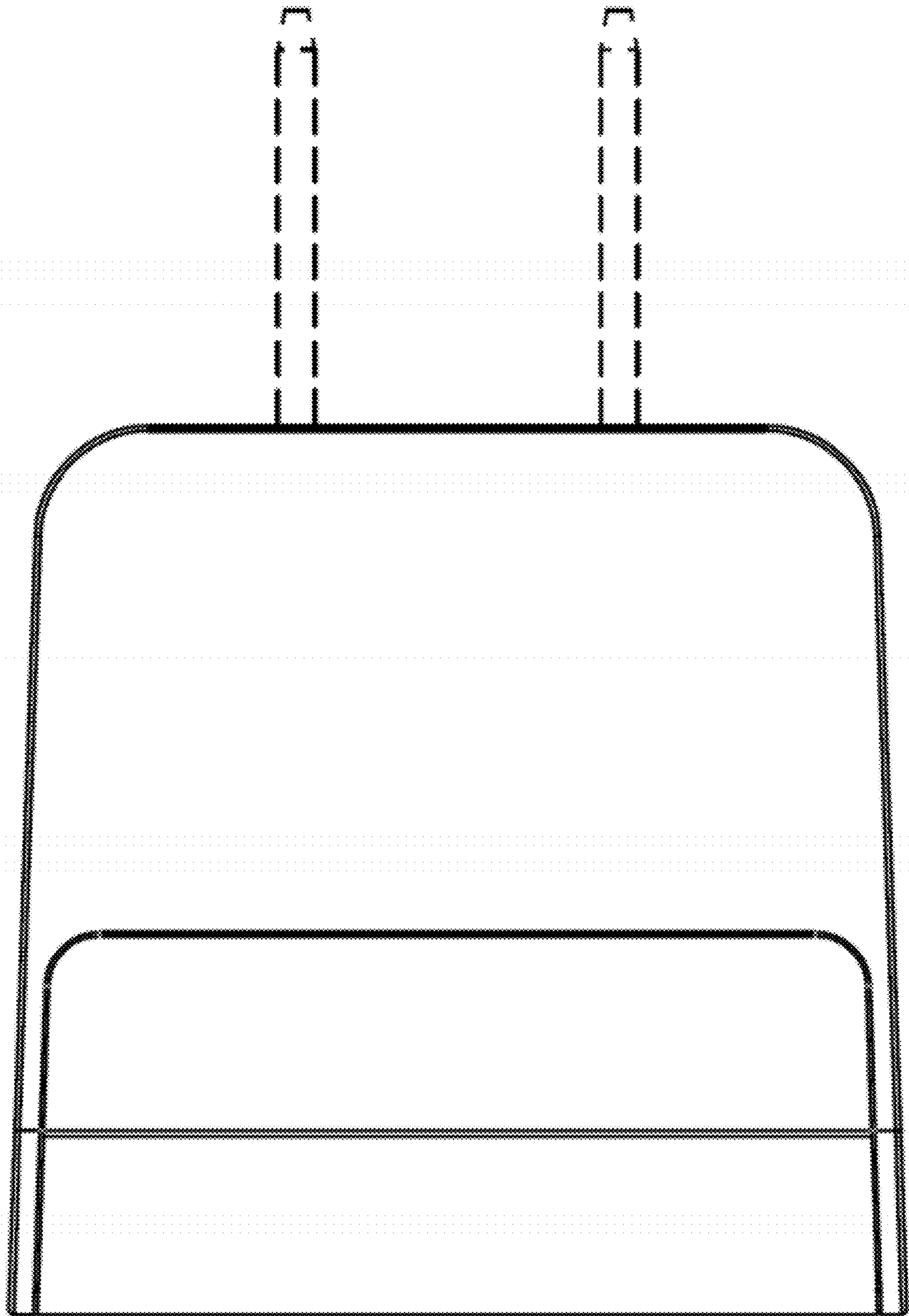


Fig. 8