



US00D655243S

(12) **United States Design Patent**
Au

(10) **Patent No.:** **US D655,243 S**

(45) **Date of Patent:** **** Mar. 6, 2012**

(54) **CUBE TRAVEL CHARGER**

(75) Inventor: **Ka Hung Au**, Hong Kong (CN)

(73) Assignee: **Ever Win International Corporation**,
City of Industry, CA (US)

(**) Term: **14 Years**

(21) Appl. No.: **29/399,898**

(22) Filed: **Aug. 19, 2011**

(51) **LOC (9) Cl.** **13-02**

(52) **U.S. Cl.** **D13/108**

(58) **Field of Classification Search** D13/107–110,
D13/118–119, 138.1–138.2, 184, 199; D14/251,
D14/253, 432, 434; 320/107–115
See application file for complete search history.

(56) **References Cited**

U.S. PATENT DOCUMENTS

- D209,403 S * 11/1967 Watanabe D13/110
- D212,763 S * 11/1968 Schellens D13/110
- D573,946 S * 7/2008 Ledbetter et al. D13/110
- D610,992 S * 3/2010 Fahrendorff et al. D13/138.1
- D610,993 S * 3/2010 Fahrendorff et al. D13/138.1
- D611,415 S * 3/2010 Andre et al. D13/138.1
- D617,275 S * 6/2010 Fahrendorff et al. D13/138.1
- D623,136 S * 9/2010 Andre et al. D13/138.1

- D627,728 S * 11/2010 Smith et al. D13/138.1
- D627,729 S * 11/2010 Smith et al. D13/138.1
- D638,357 S * 5/2011 Sasada et al. D13/110
- D642,524 S * 8/2011 Fitch et al. D13/110
- 2010/0117597 A1* 5/2010 Wang 320/111

* cited by examiner

Primary Examiner — Rosemary K Tarcza

(74) *Attorney, Agent, or Firm* — Joe Nieh

(57) **CLAIM**

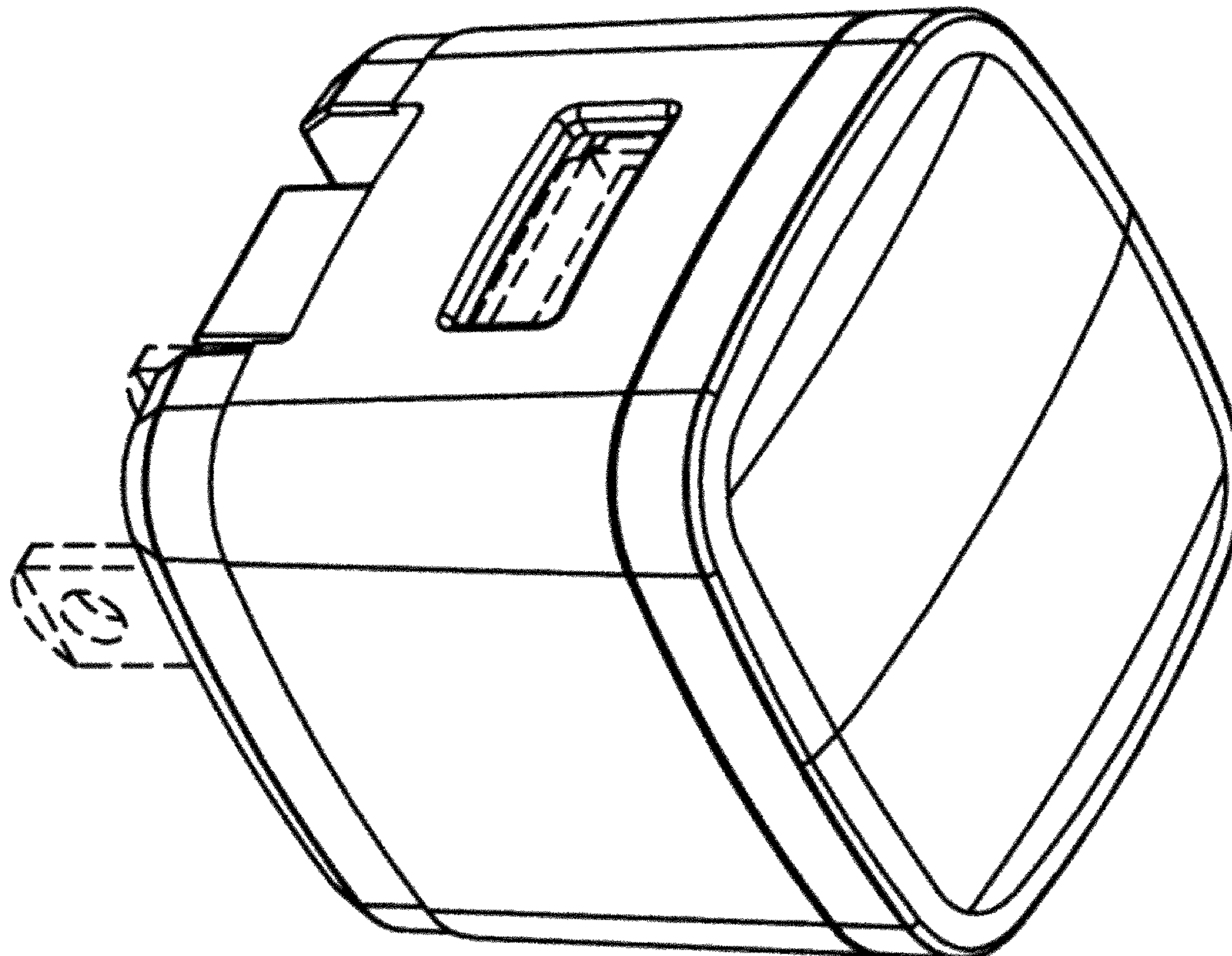
The ornamental design for a cube travel charger, as shown and described.

DESCRIPTION

FIG. 1 is a front perspective view of a cube travel charger showing my new design;
 FIG. 2 is a rear perspective view thereof;
 FIG. 3 is a front view thereof;
 FIG. 4 is a top plan view thereof;
 FIG. 5 is a rear view thereof;
 FIG. 6 is a left side view thereof;
 FIG. 7 is a right side view thereof; and,
 FIG. 8 is a bottom plan view thereof.

The broken lines shown in the drawings are included for the purpose of illustrating unclaimed portions of the cube travel charger and form no part of the claimed design.

1 Claim, 8 Drawing Sheets



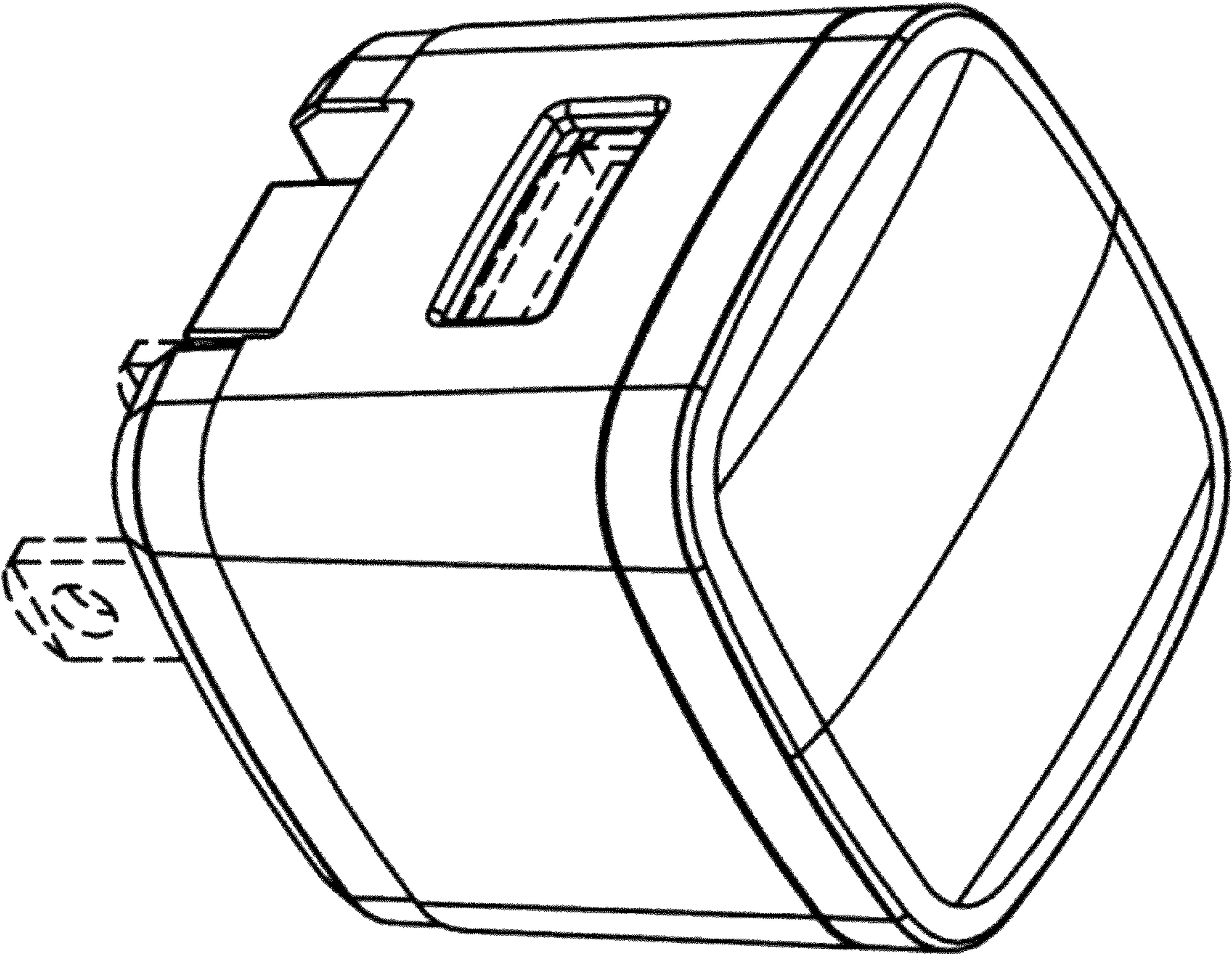


Fig. 1

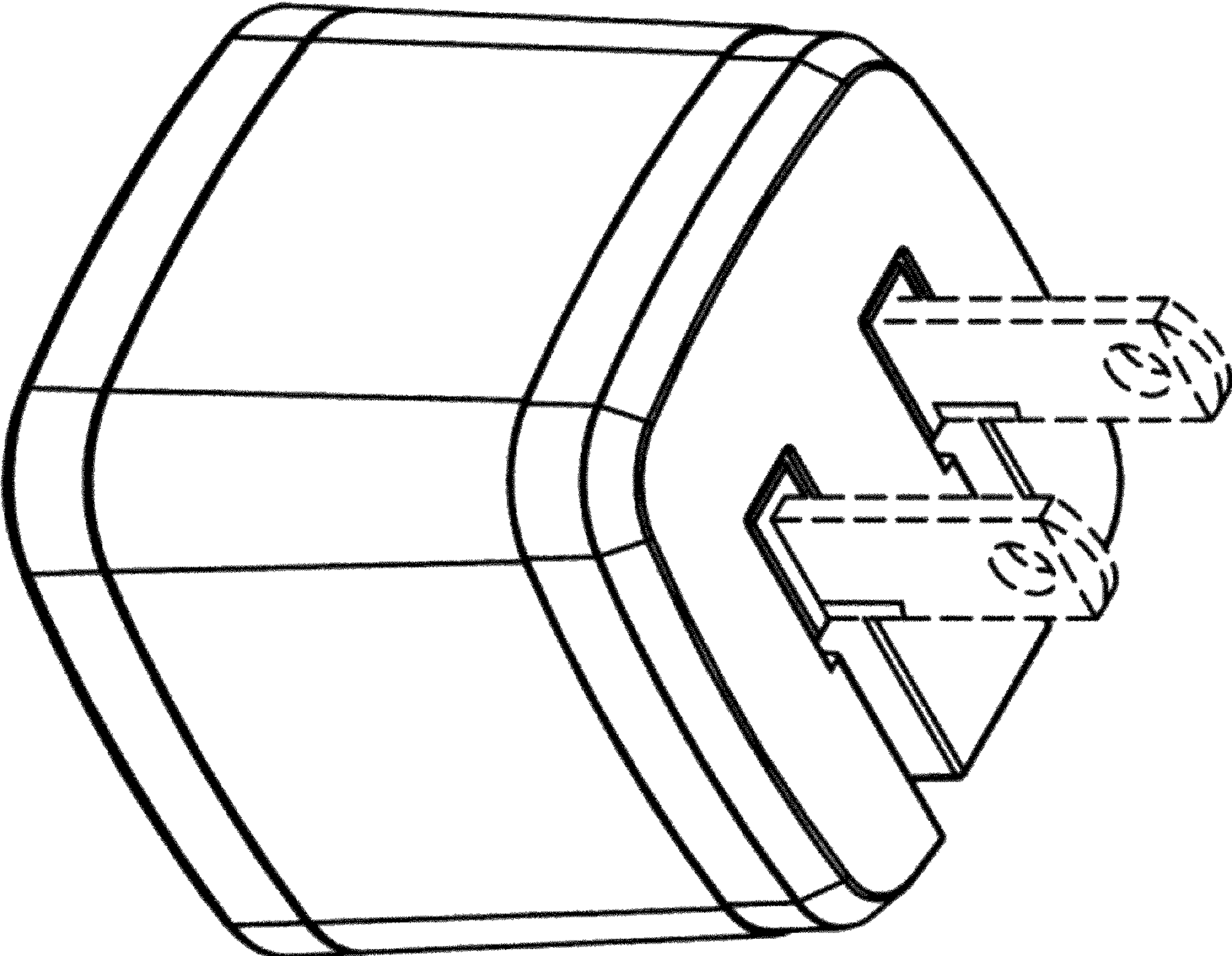


Fig. 2

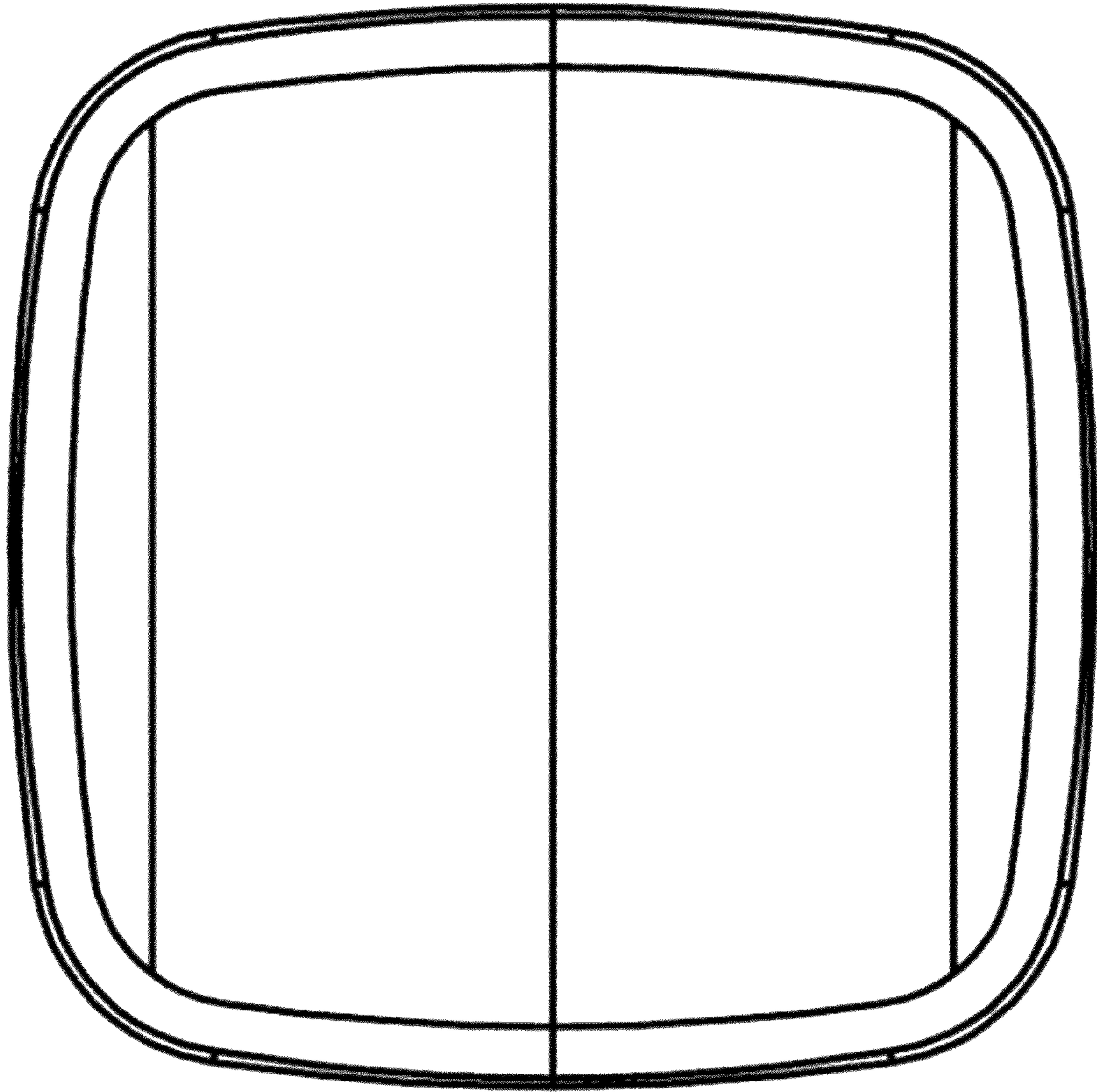


Fig. 3

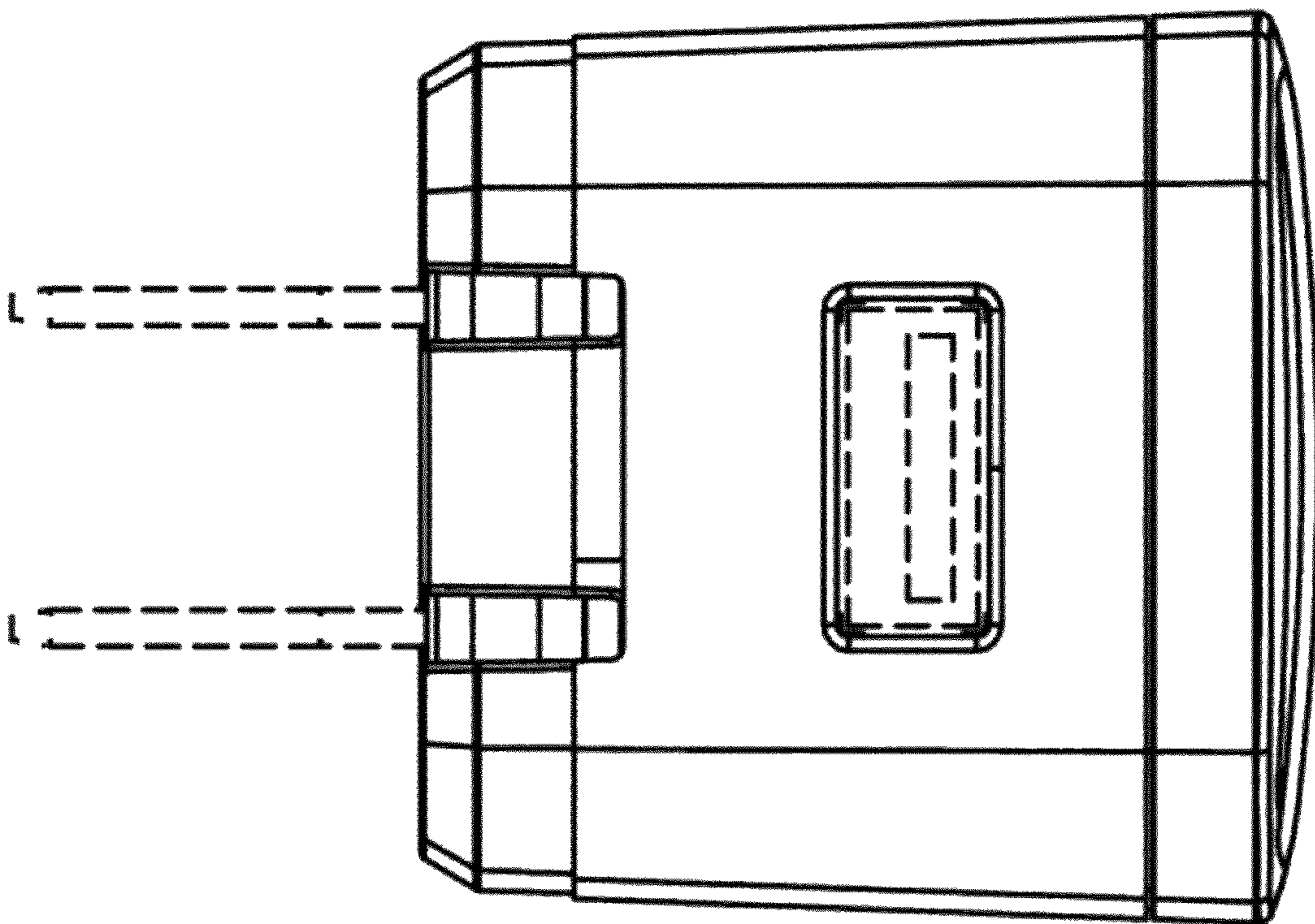


Fig. 4

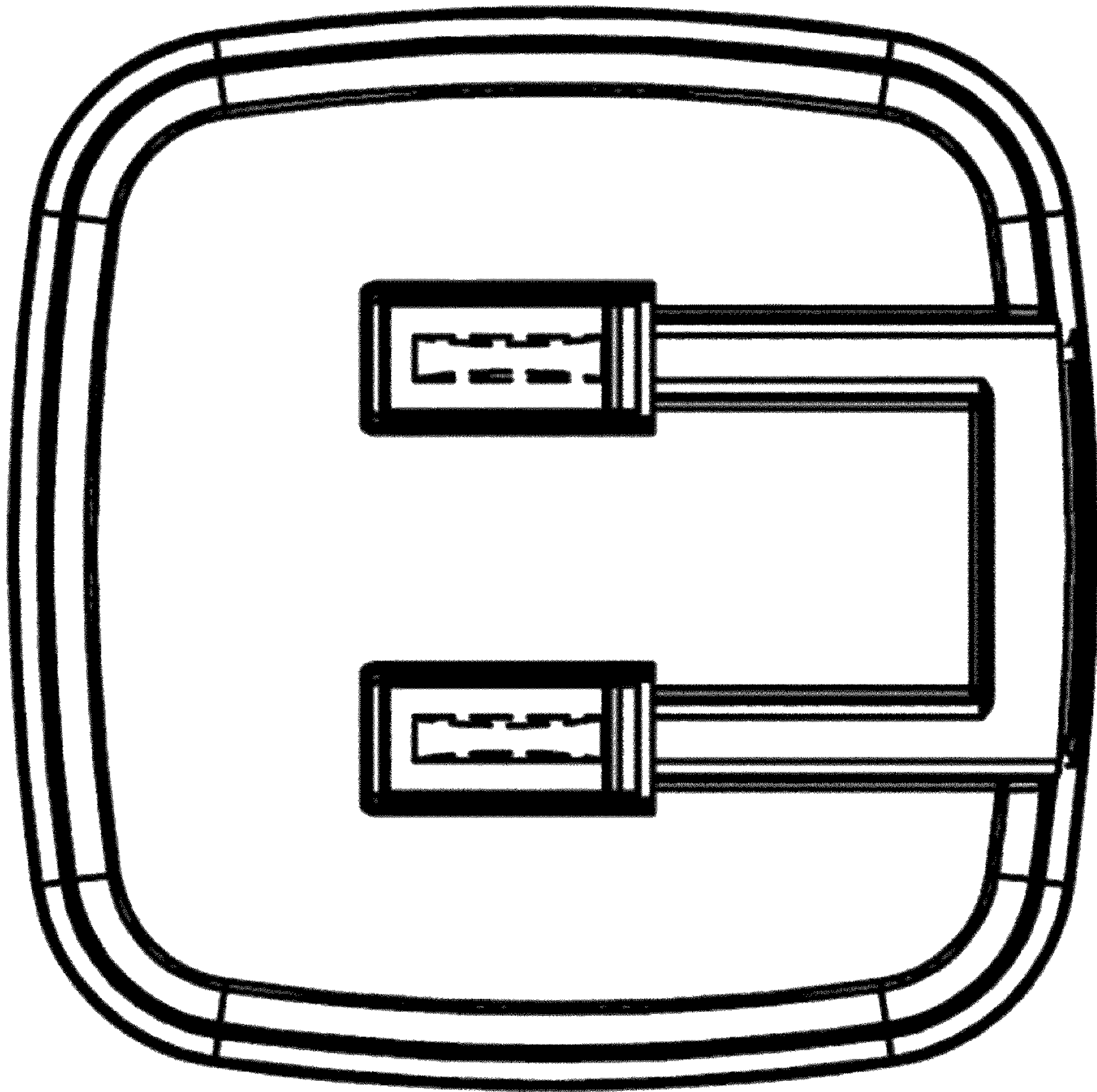


Fig. 5

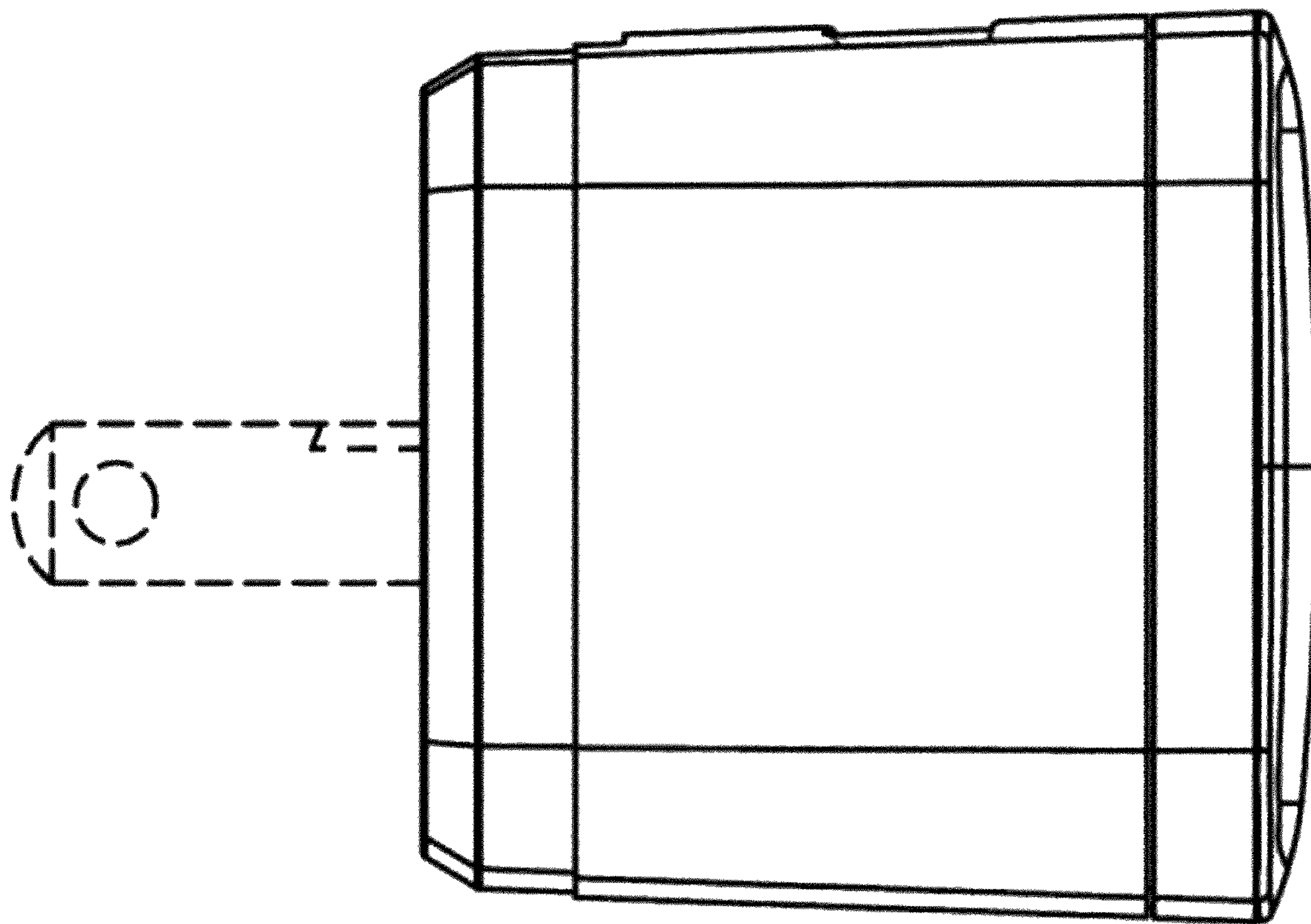


Fig. 6

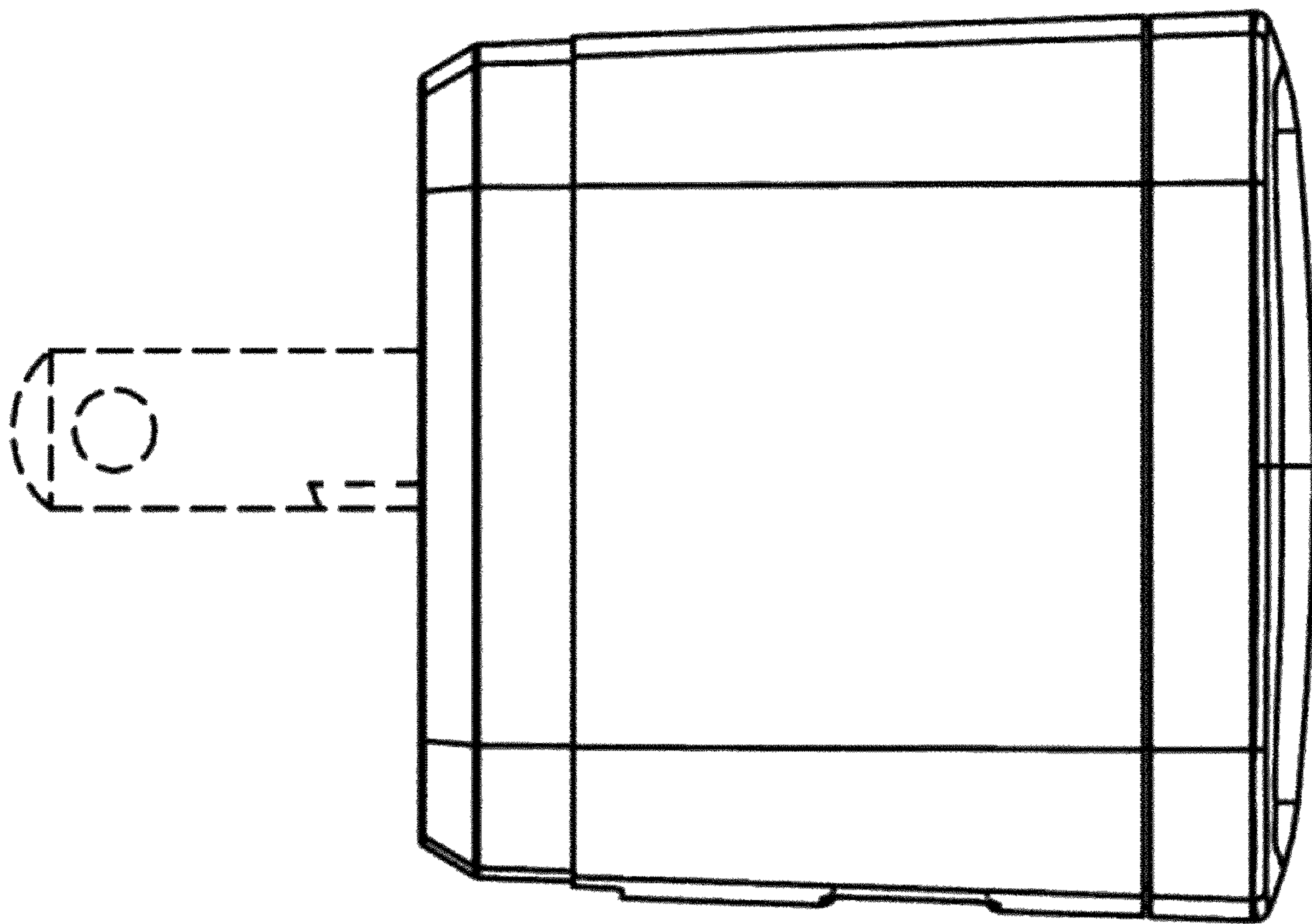


Fig. 7

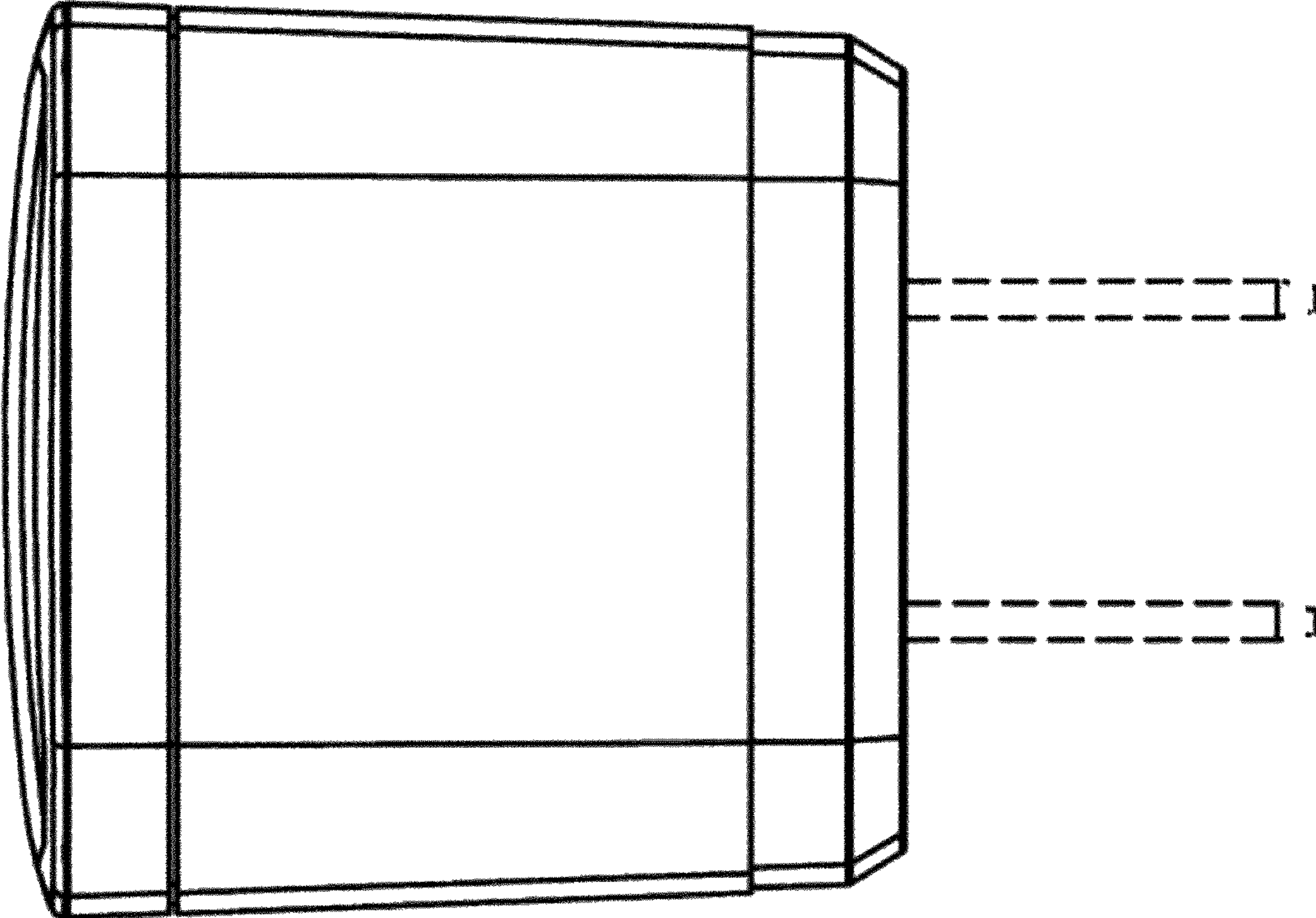


Fig. 8