



US00D655241S

(12) **United States Design Patent**  
**Kern**

(10) **Patent No.:** **US D655,241 S**  
(45) **Date of Patent:** **\*\* Mar. 6, 2012**

(54) **MOTOR-DRIVEN CHAIN DRIVE WITH EXTENDED SOLAR PANEL**

*Primary Examiner* — Derrick Holland  
(74) *Attorney, Agent, or Firm* — Sand & Sebolt

(75) Inventor: **Thomas Kern**, Tangstedt (DE)

(73) Assignee: **D+H Mechatronic AG**, Ammersbek (DE)

(57) **CLAIM**  
The ornamental design for a motor-driven chain drive with extended solar panel, as shown and described.

(\*\*) Term: **14 Years**

(21) Appl. No.: **29/398,797**

**DESCRIPTION**

(22) Filed: **Aug. 4, 2011**

(51) **LOC (9) Cl.** ..... **13-02**

(52) **U.S. Cl.** ..... **D13/102**

(58) **Field of Classification Search** ..... D13/102,  
D13/101, 103, 107, 108, 110, 199; D8/330;  
D15/148, 149, 199; 126/569, 577, 578, 608;  
136/206, 243, 244, 245, 251, 252; 244/172.7;  
385/900

See application file for complete search history.

FIG. 1 is a perspective view of a motor-driven chain drive with extended solar panel in accordance with the present design, with the solar panel shown in a closed position; FIG. 2 is a top view thereof; FIG. 3 is a bottom view thereof; FIG. 4 is a front view thereof; FIG. 5 is a back side view thereof; FIG. 6 is a left side view thereof; FIG. 7 is a right side view thereof; FIG. 8 is a perspective view of the motor-driven chain drive with extended solar panel in accordance with the present design, with the solar panel shown in an open position; FIG. 9 is a top view thereof; FIG. 10 is a bottom view thereof; FIG. 11 is a front view thereof; FIG. 12 is a back view thereof; FIG. 13 is a left side view thereof; and, FIG. 14 is a right side view thereof.

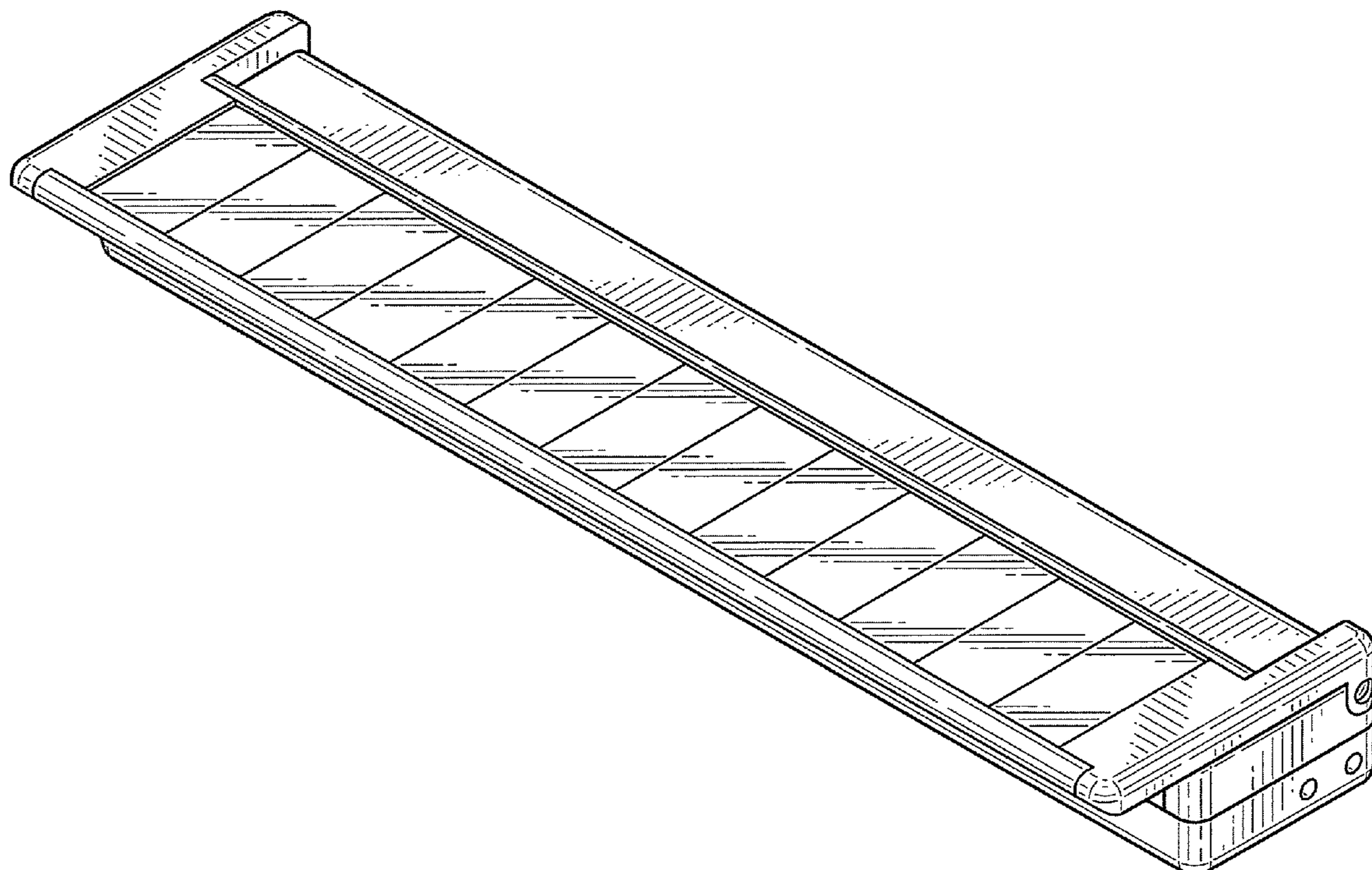
(56) **References Cited**

U.S. PATENT DOCUMENTS

D413,055 S *	8/1999	Mullet et al.	.....	D8/330
D467,225 S *	12/2002	Sudo	.....	D13/102
D489,680 S *	5/2004	Stobart	.....	D13/107
D490,051 S *	5/2004	Kikumoto	.....	D13/102
D551,619 S *	9/2007	Schneider	.....	D13/110
D588,534 S *	3/2009	Sharma et al.	.....	D13/102

\* cited by examiner

**1 Claim, 8 Drawing Sheets**



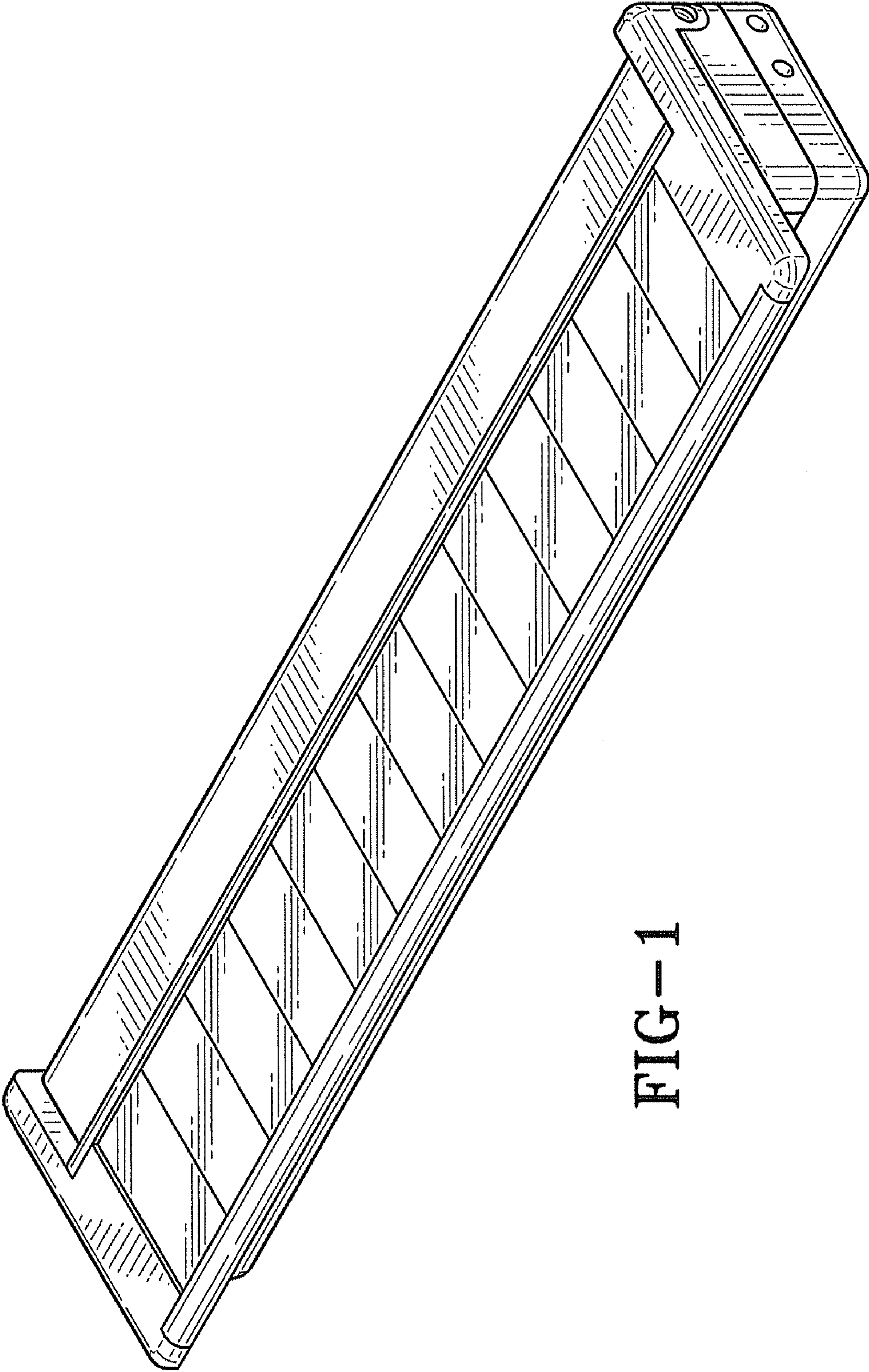


FIG-1

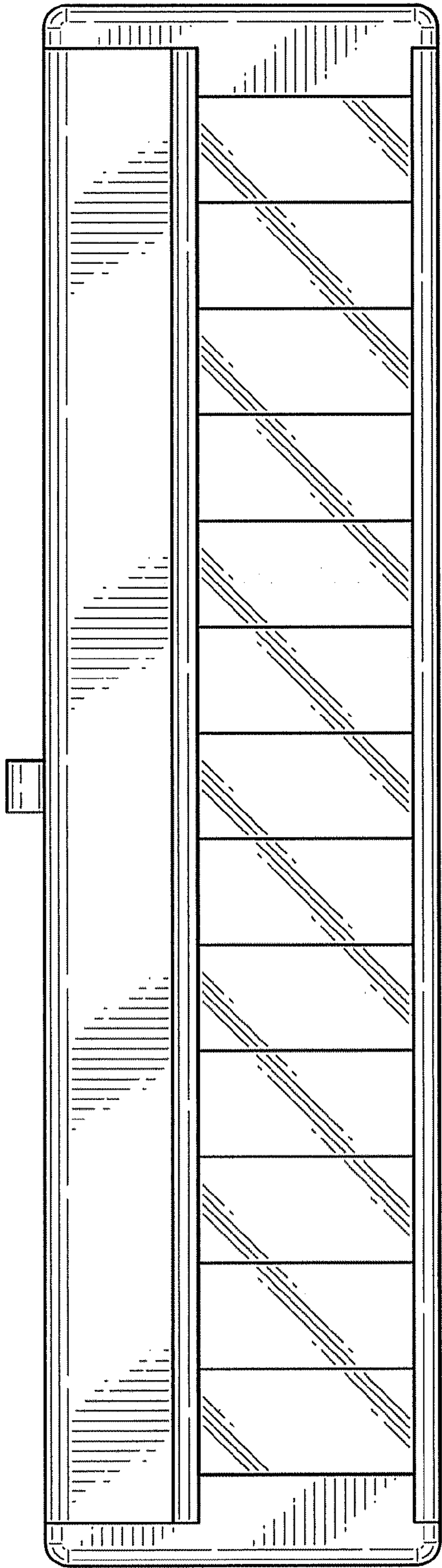


FIG-2

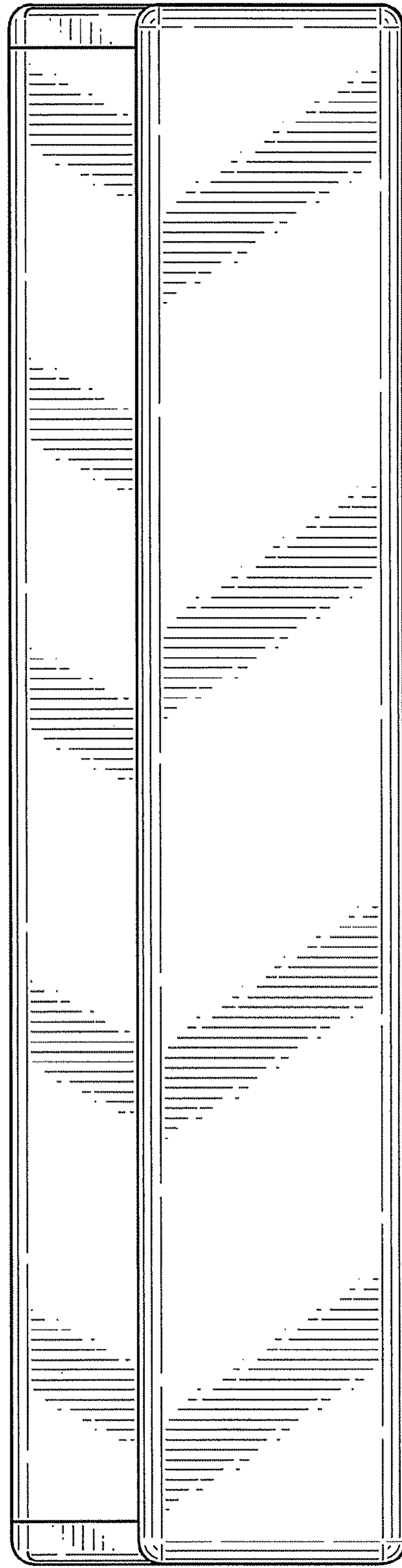


FIG-3

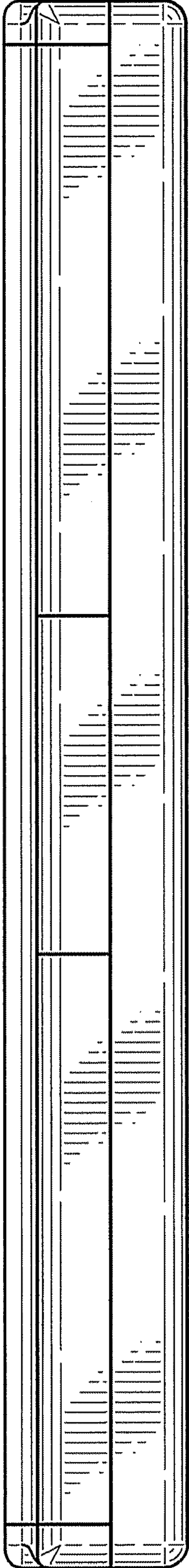


FIG-4

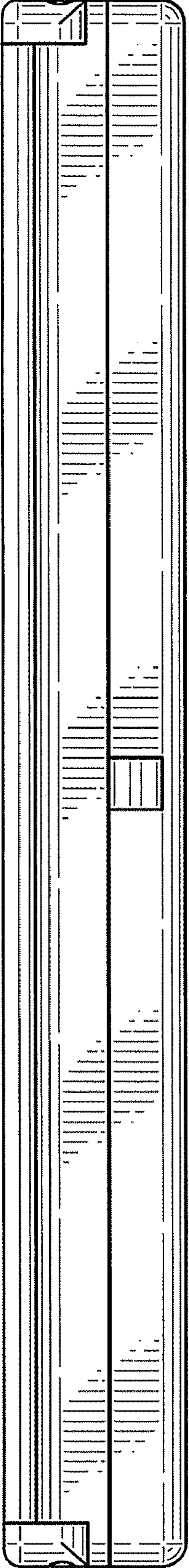


FIG-5

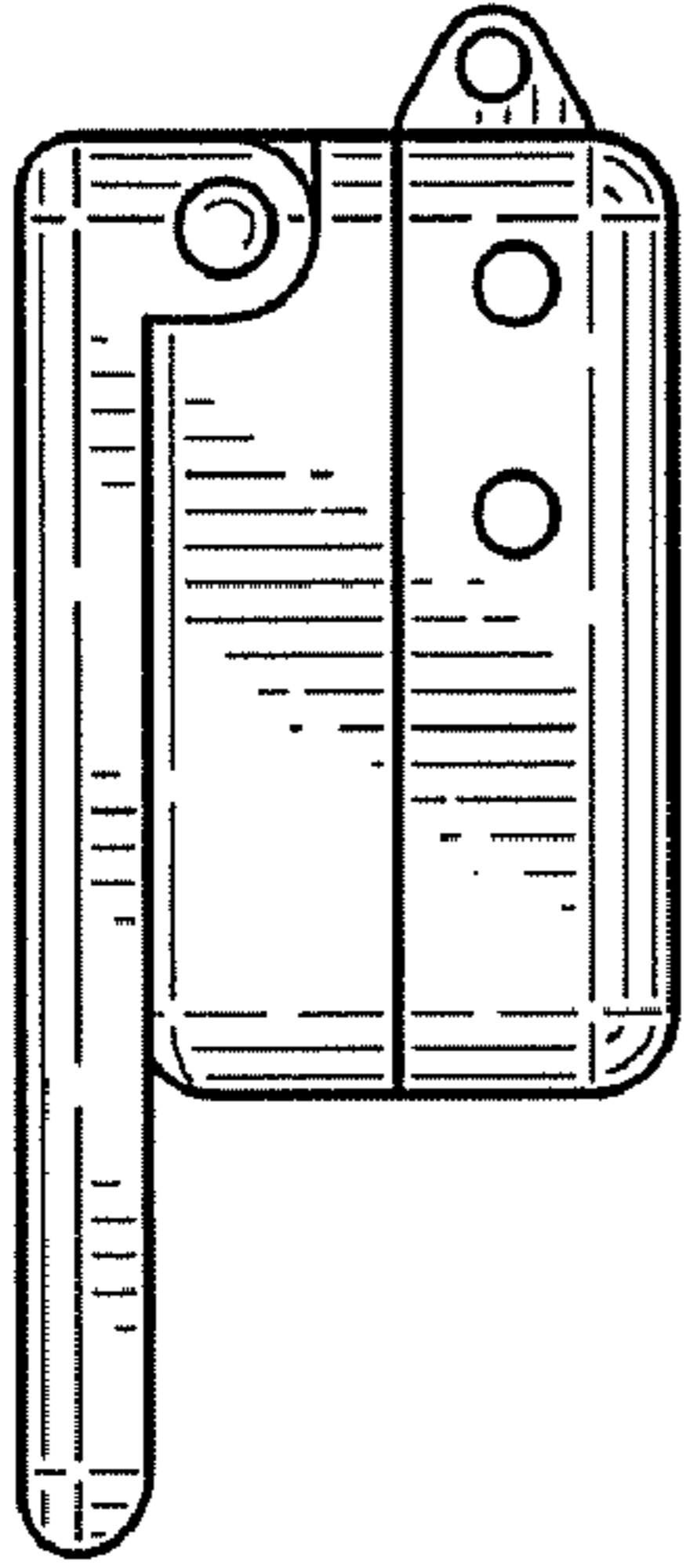


FIG-7

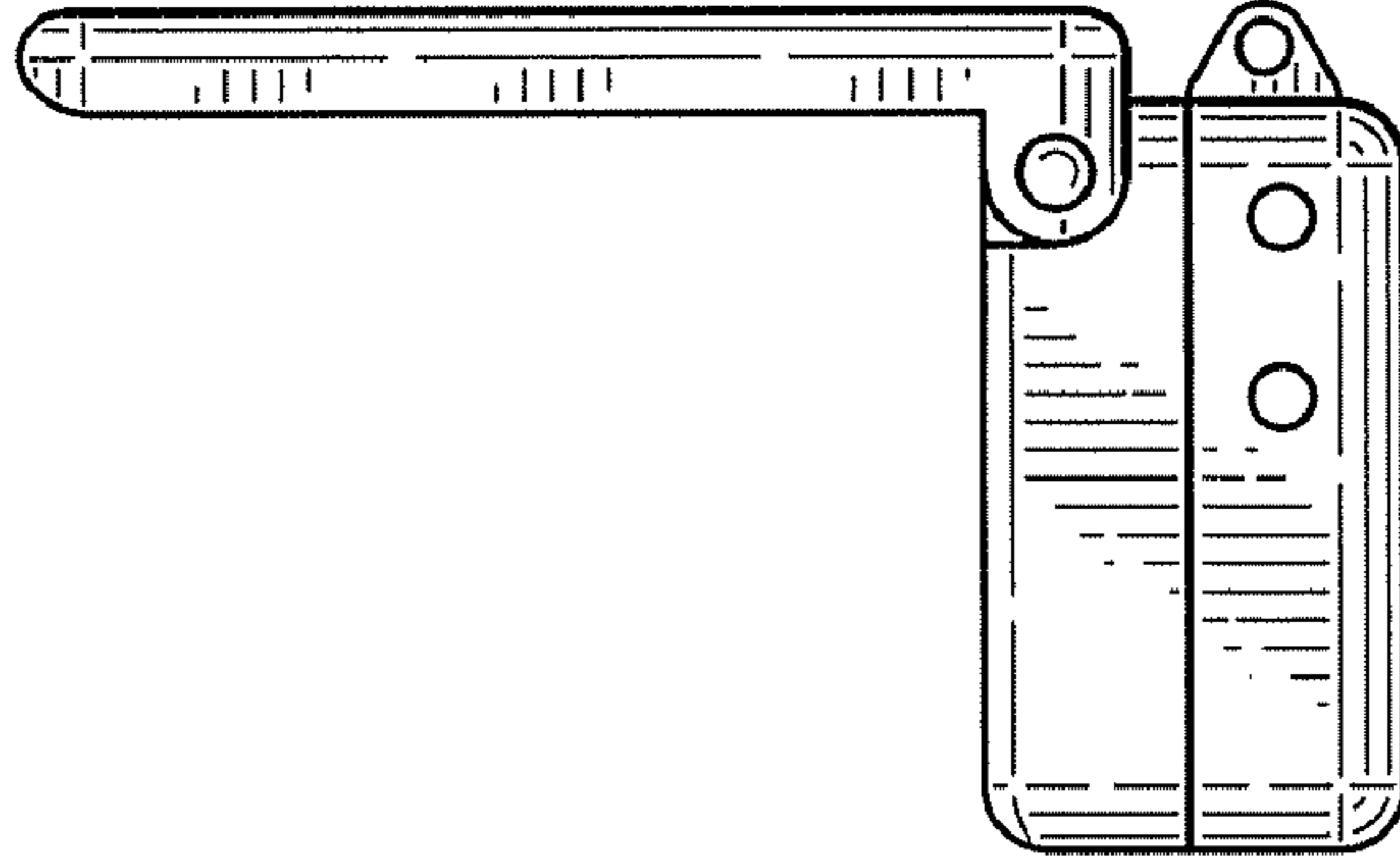


FIG-14

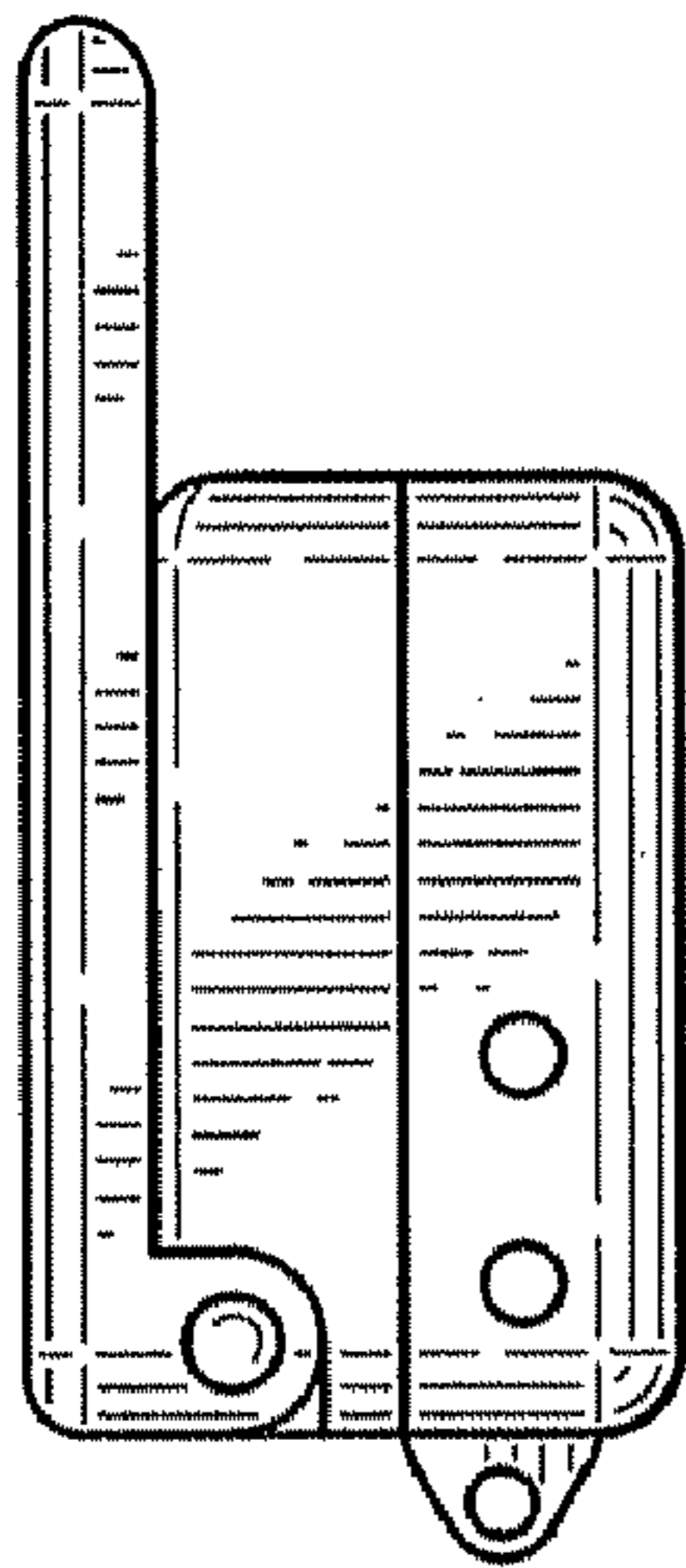


FIG-6

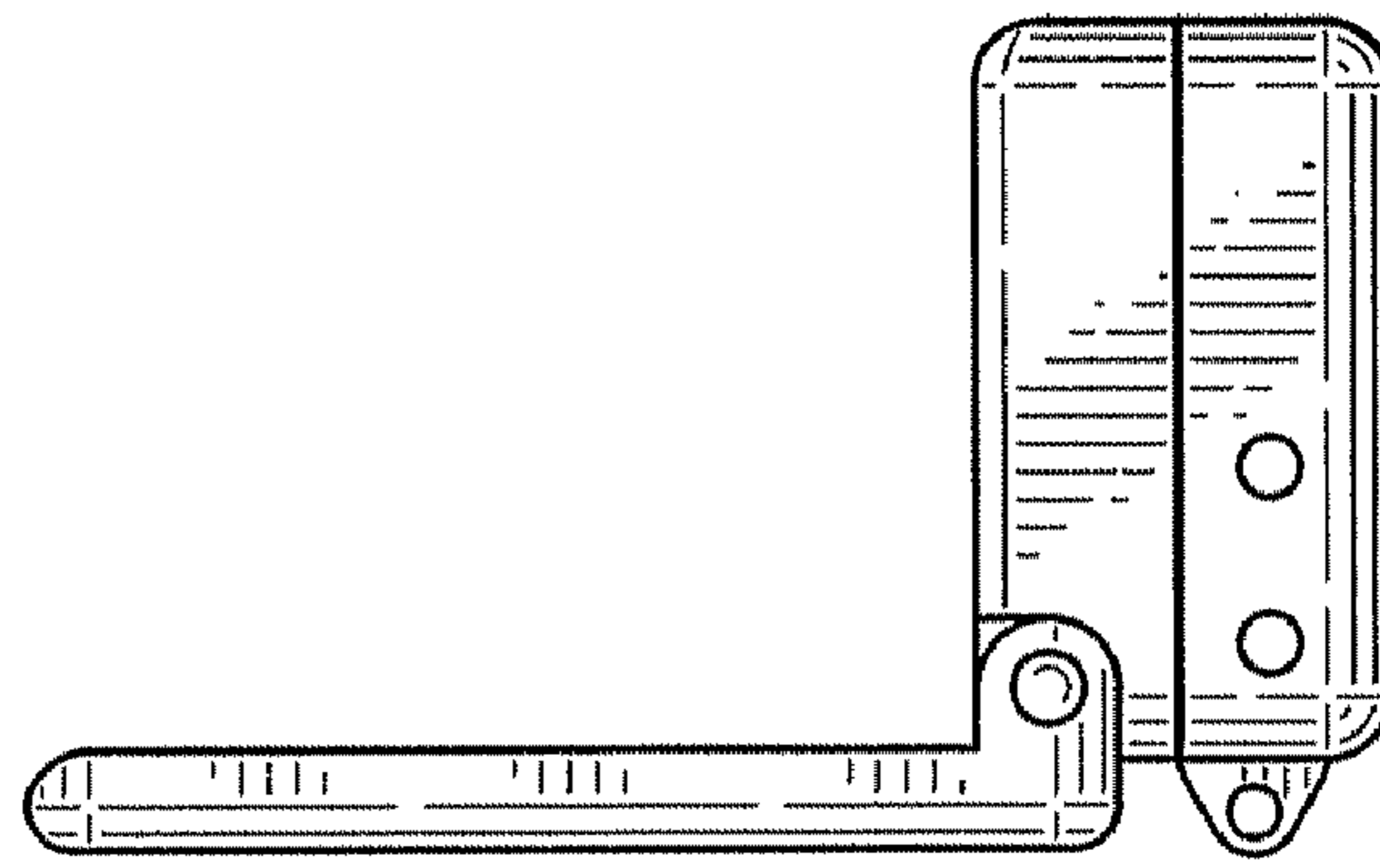


FIG-13

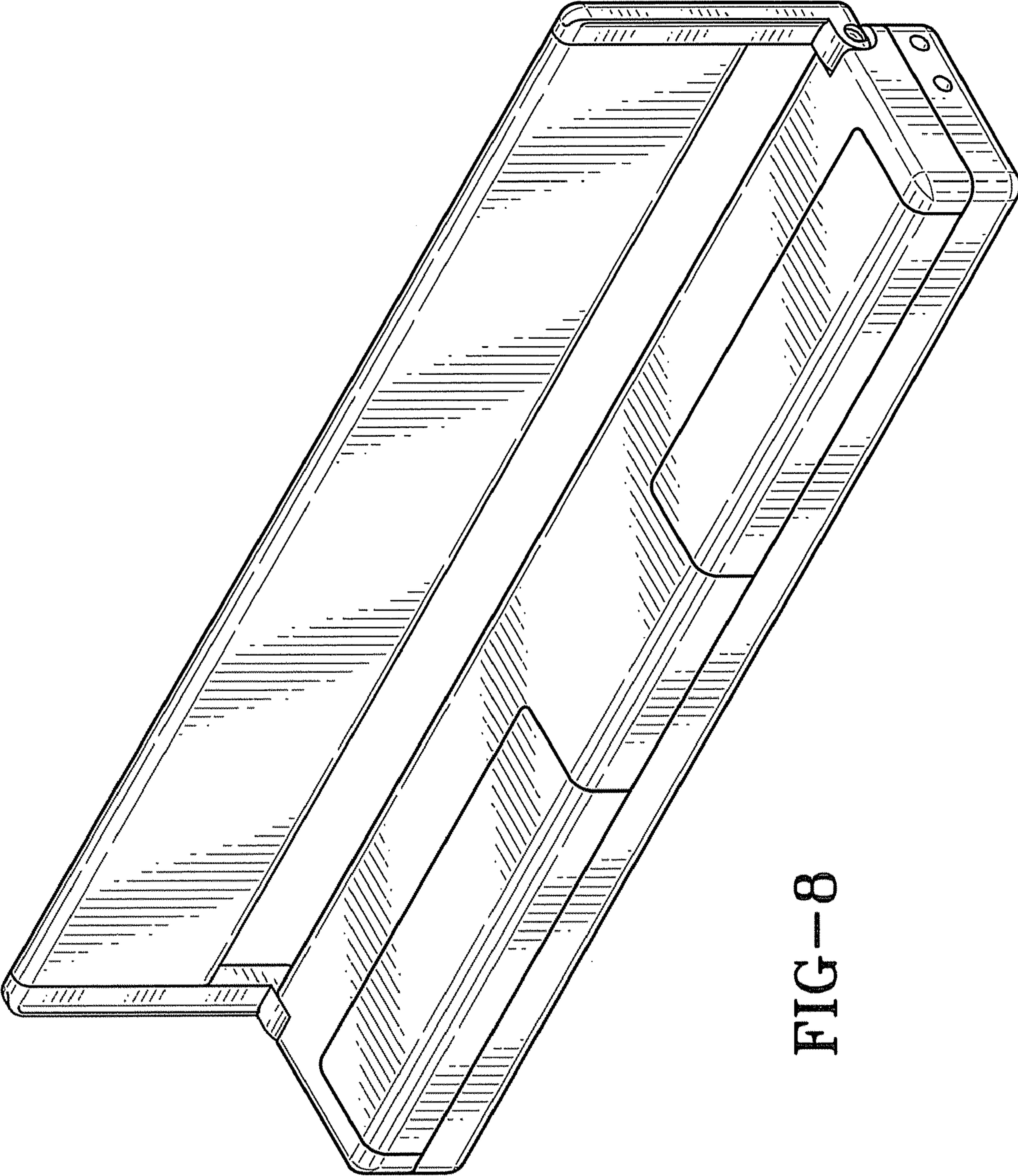


FIG-8

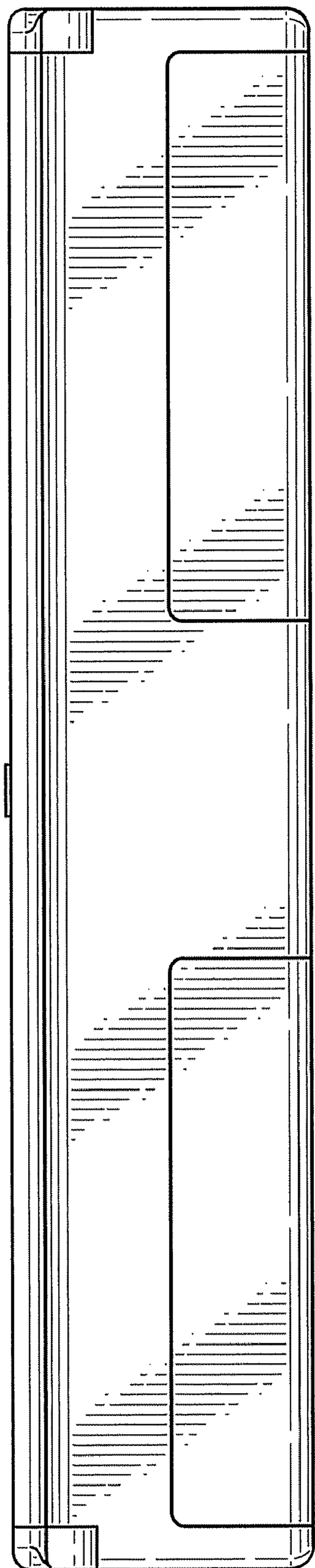


FIG-9

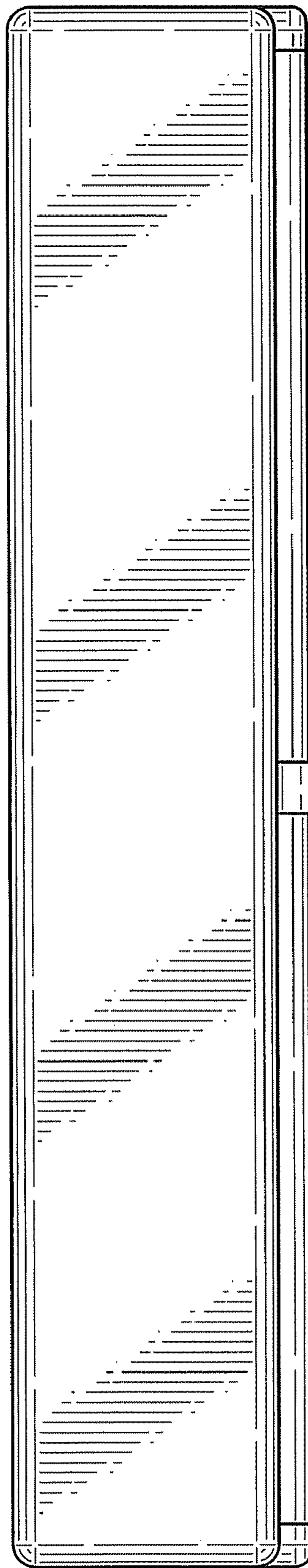


FIG-10

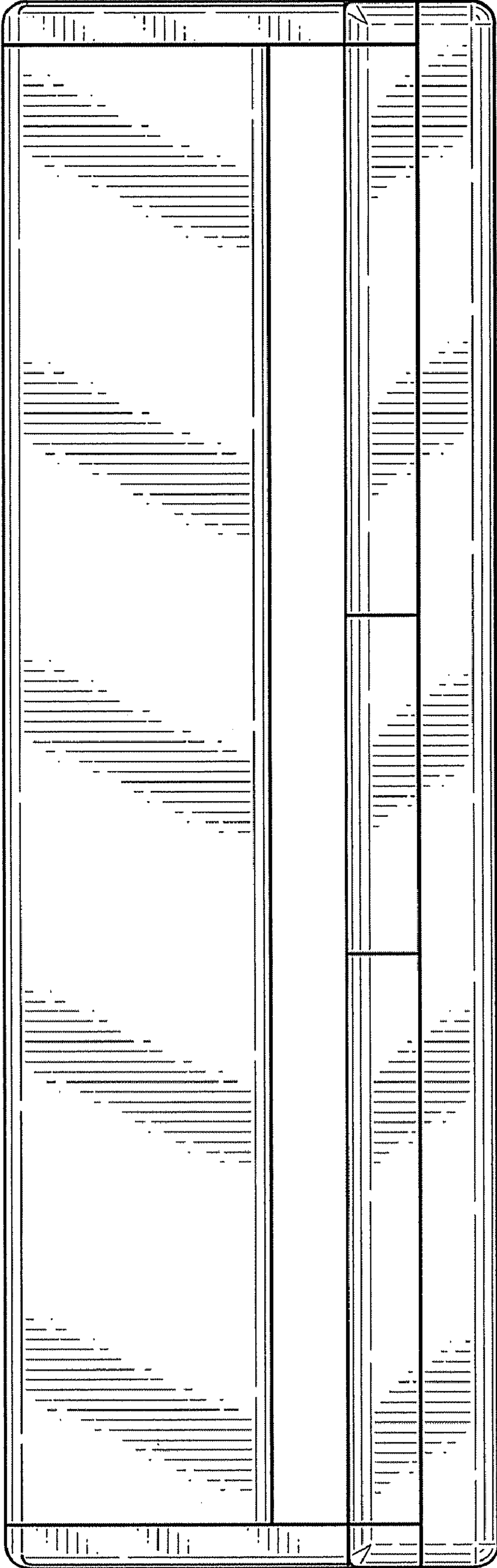


FIG-11



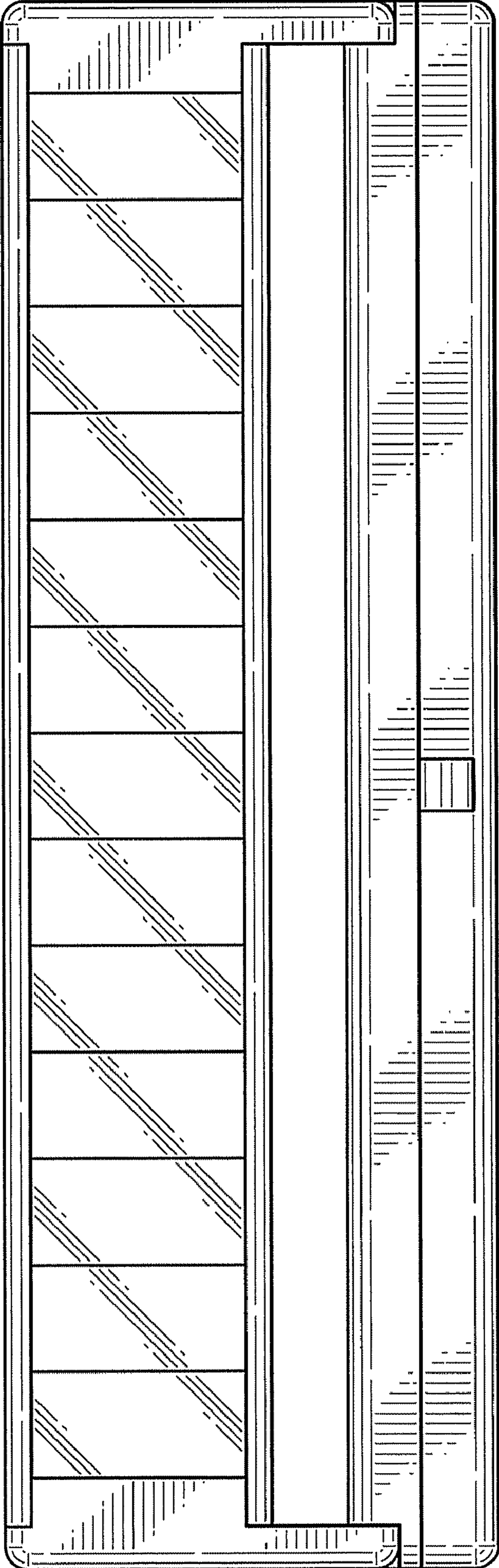


FIG-12