



US00D655240S

(12) **United States Design Patent**
Hsu

(10) **Patent No.:** **US D655,240 S**
(45) **Date of Patent:** **** *Mar. 6, 2012**

(54) **SOLAR POWER CUBE**

(75) Inventor: **Po-Jung Hsu**, Fremont, CA (US)

(73) Assignee: **Wagan Corp.**, Hayward, CA (US)

(*) Notice: This patent is subject to a terminal disclaimer.

(**) Term: **14 Years**

(21) Appl. No.: **29/386,300**

(22) Filed: **Feb. 28, 2011**

(51) **LOC (9) Cl.** **13-02**

(52) **U.S. Cl.** **D13/102**

(58) **Field of Classification Search** D13/102,
D13/101, 103, 106, 110, 116, 184, 199; D3/272,
D3/276, 279, 281; 136/241-252; 190/18 A,
190/100, 104, 115; 320/101, 102, 114, 115,
320/120

See application file for complete search history.

(56) **References Cited**

U.S. PATENT DOCUMENTS

5,385,220	A *	1/1995	Pond et al.	190/18 A
D391,921	S *	3/1998	Zimmer et al.	D13/102
D462,170	S *	9/2002	Chen et al.	D3/279
D490,051	S *	5/2004	Kikumoto	D13/102
D516,501	S *	3/2006	Ware, Jr.	D13/102
D517,006	S *	3/2006	Bessmertny	D13/102
D534,861	S *	1/2007	Lam	D13/102
D584,684	S *	1/2009	Aglassinger	D13/110

* cited by examiner

Primary Examiner — Stella Reid

Assistant Examiner — Derrick Holland

(74) *Attorney, Agent, or Firm* — Michael K. Bosworth;
IPxLaw Group LLP

(57) **CLAIM**

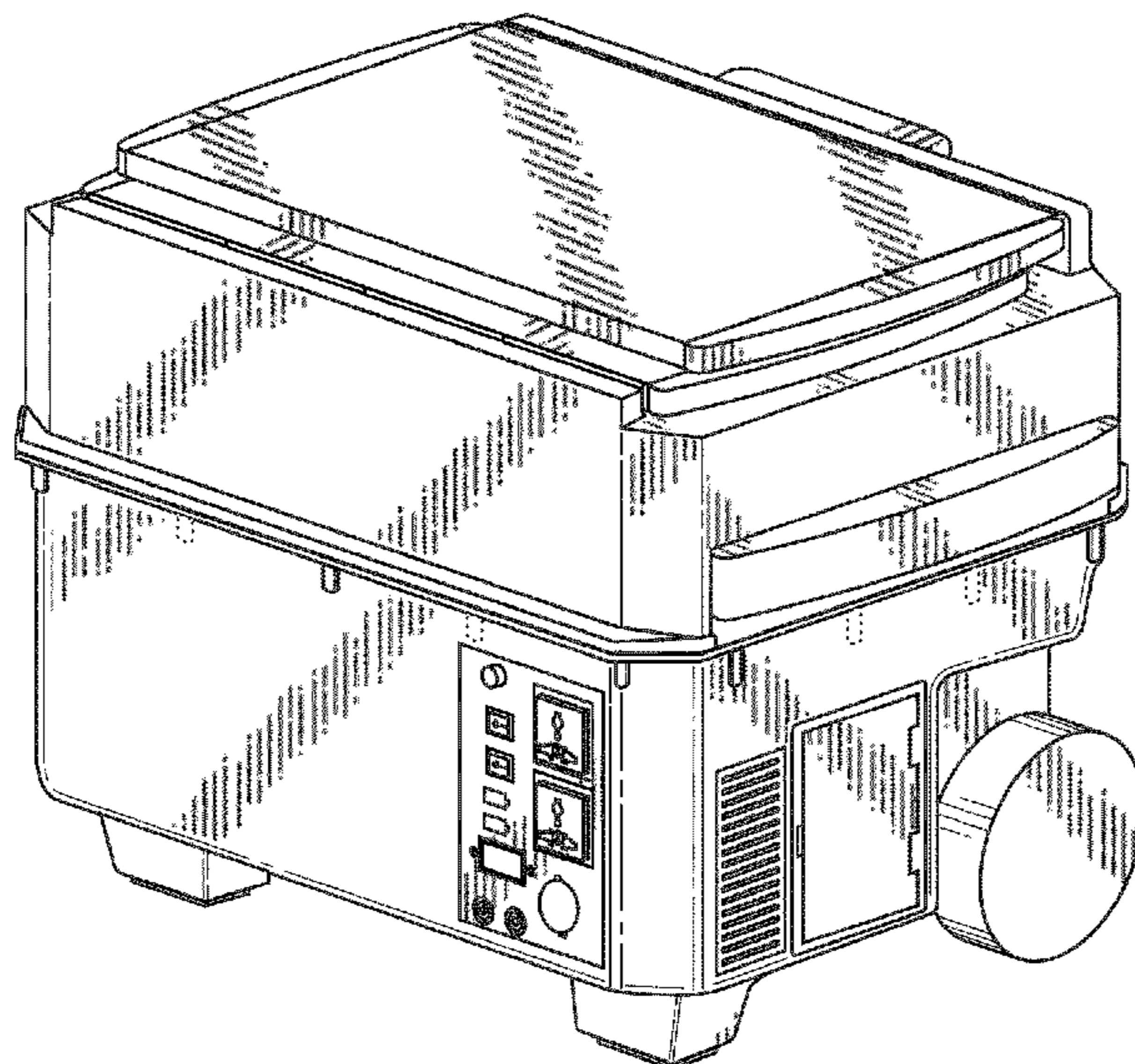
The ornamental design for a solar power cube, as shown and described.

DESCRIPTION

FIG. 1 is a front perspective view of the solar power cube; FIG. 2 is a rear perspective view of the solar power cube; FIG. 3 is a front view of the solar power cube; FIG. 4 is a back view of the solar power cube; FIG. 5 is a top view of the solar power cube; FIG. 6 is a bottom view of the solar power cube; FIG. 7 is a left view of the solar power cube; FIG. 8 is a right view of the solar power cube; FIG. 9 is a front perspective view of the solar power cube with solar panels extended; FIG. 10 is a rear perspective view of the solar power cube with solar panels extended; FIG. 11 is a front view of the solar power cube with solar panels extended; FIG. 12 is a back view of the solar power cube with solar panels extended; FIG. 13 is a top view of the solar power cube with solar panels extended; FIG. 14 is a bottom view of the solar power cube with solar panels extended; FIG. 15 is a left view of the solar power cube with solar panels extended; FIG. 16 is a right view of the solar power cube with solar panels extended; and, FIG. 17 is a rear perspective view of the solar power cube with the handle in an extended position.

The broken lines shown represent unclaimed subject matter and form no part of the claimed design.

1 Claim, 13 Drawing Sheets



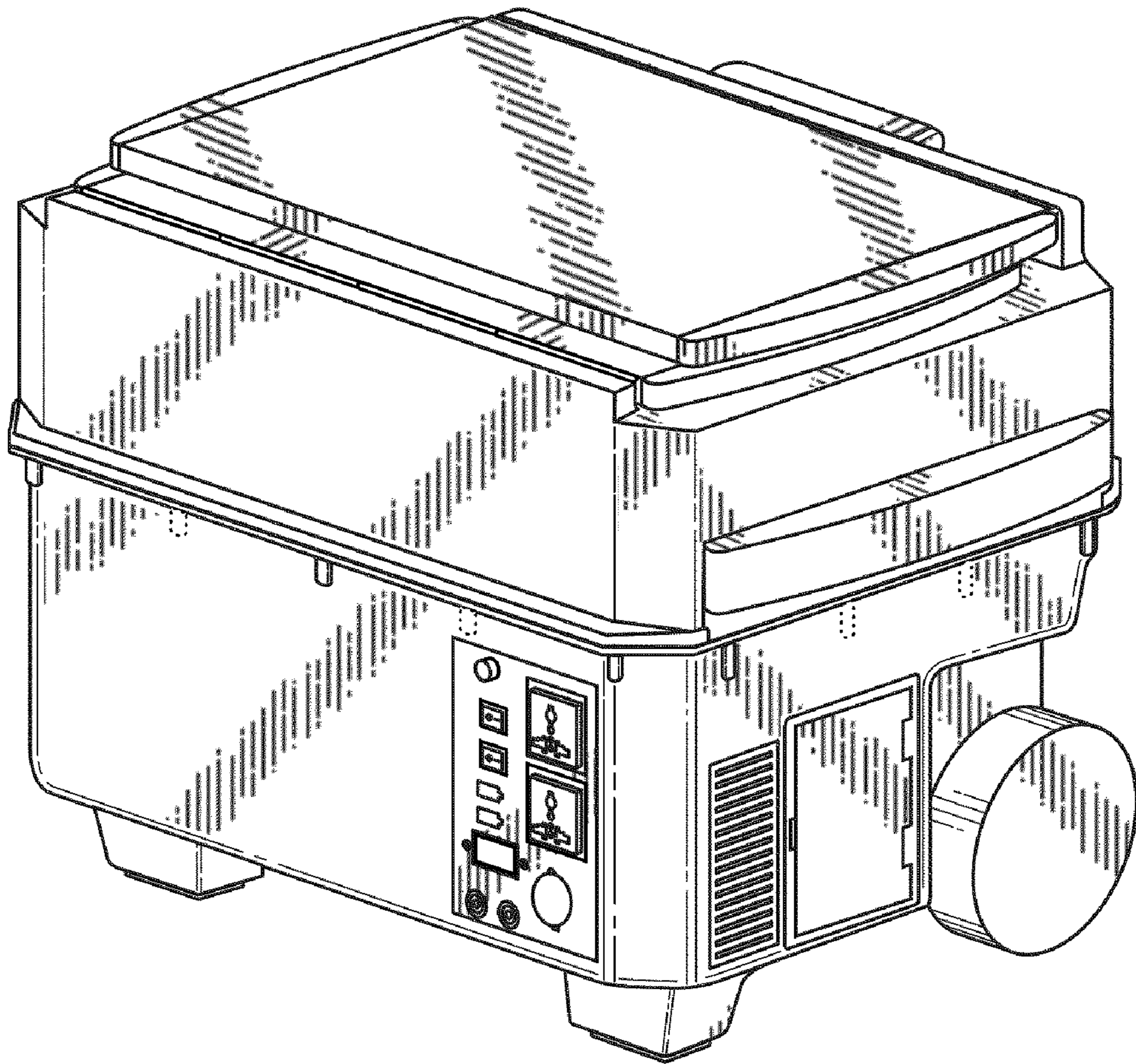


FIG. 1

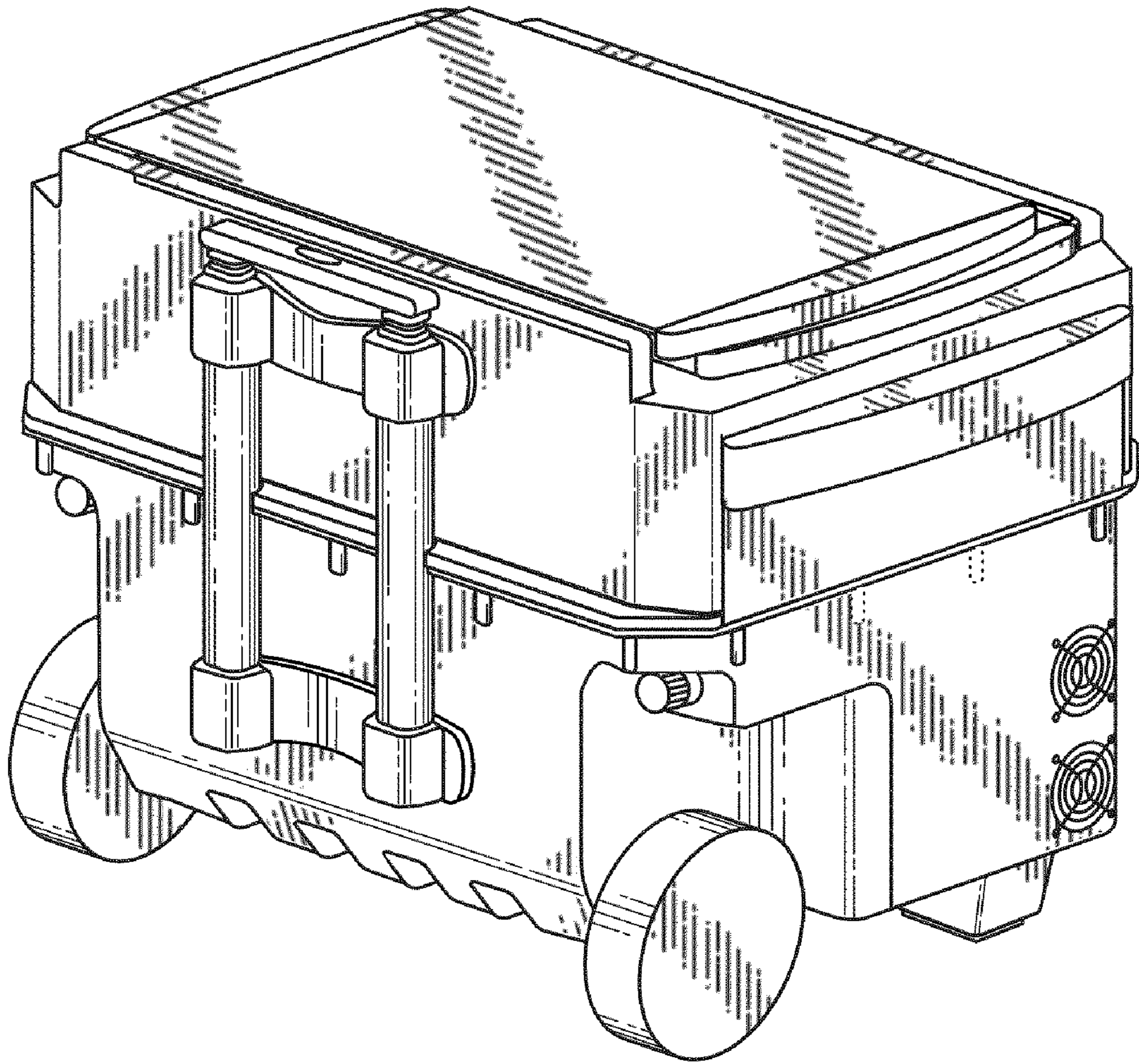


FIG. 2

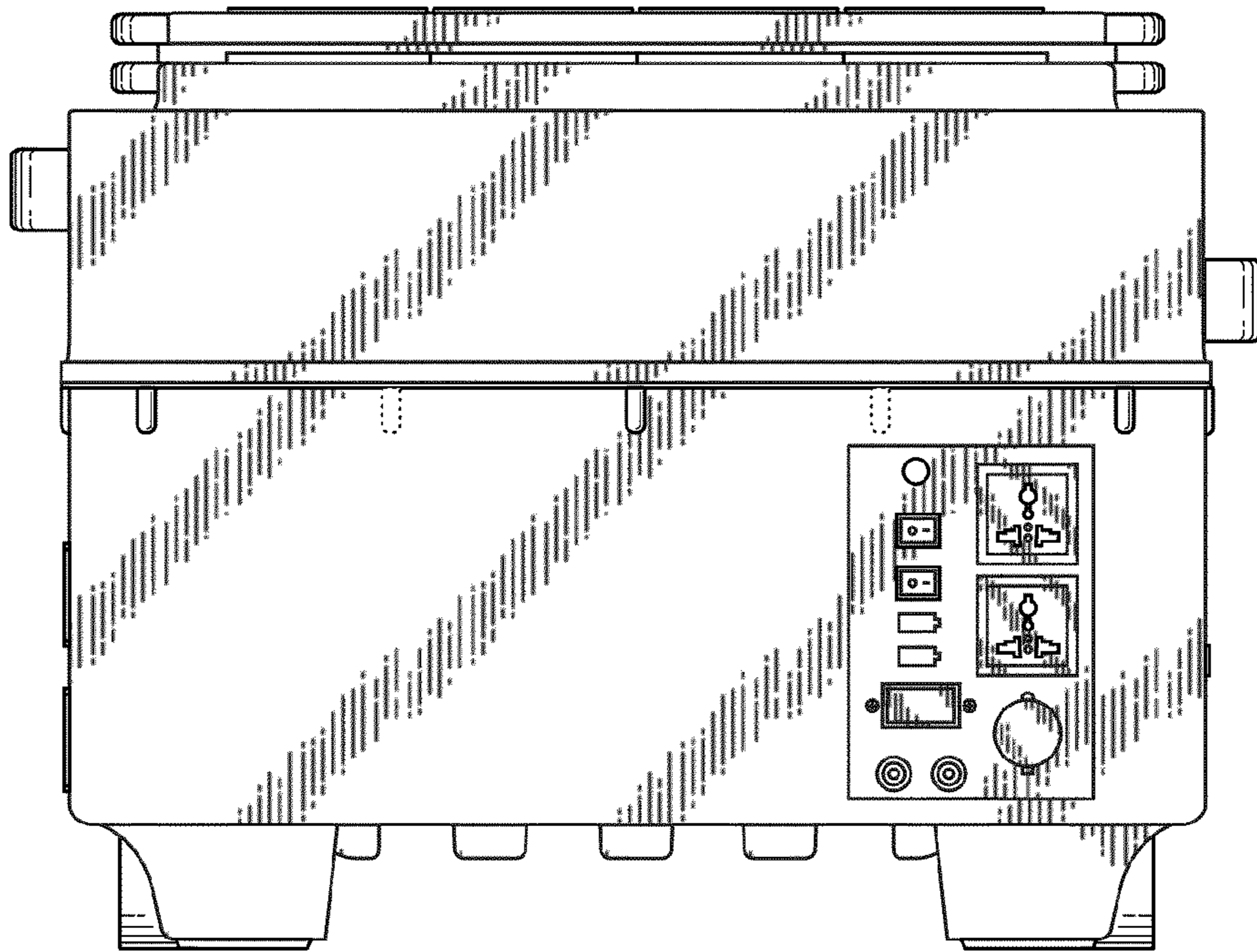


FIG. 3

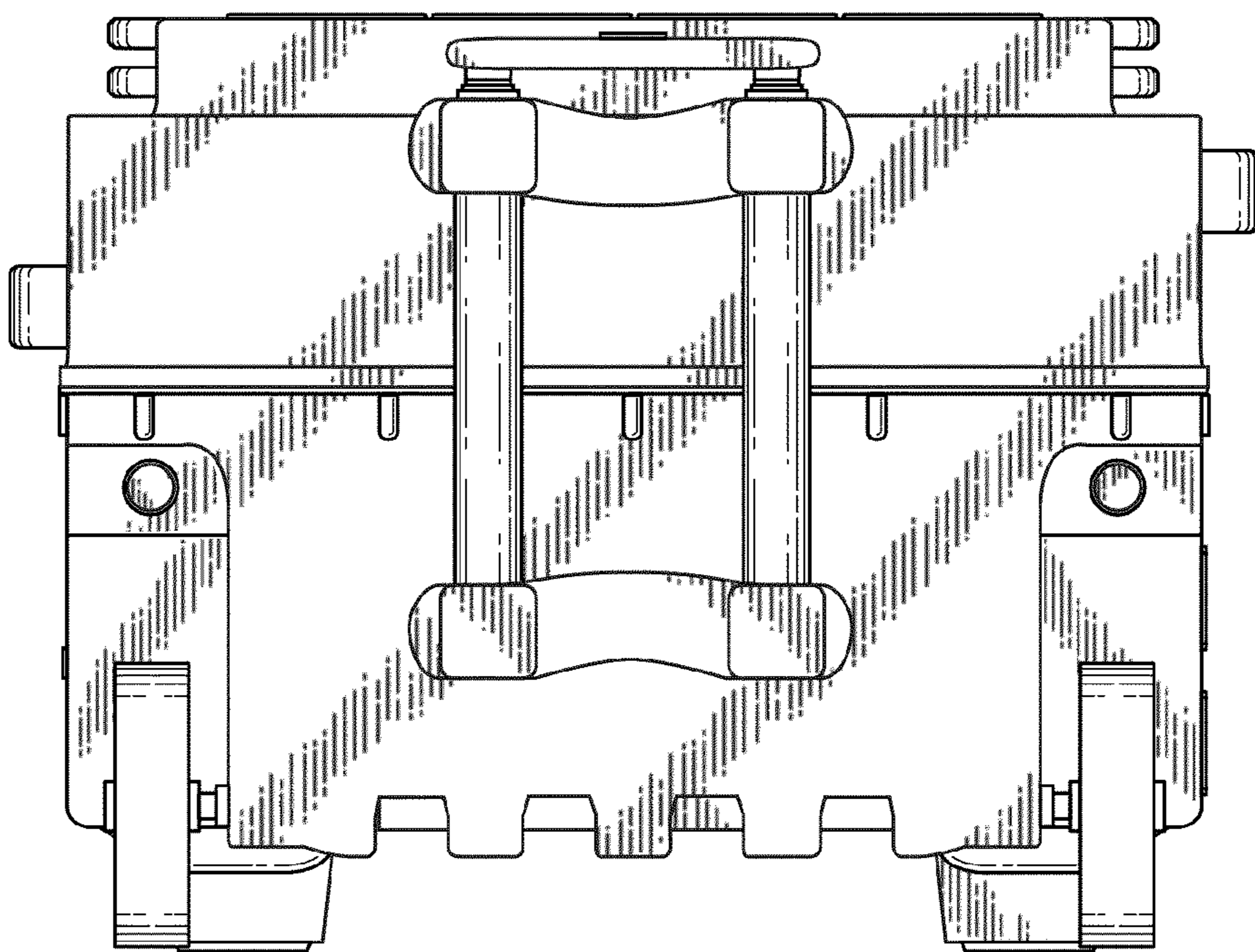


FIG. 4

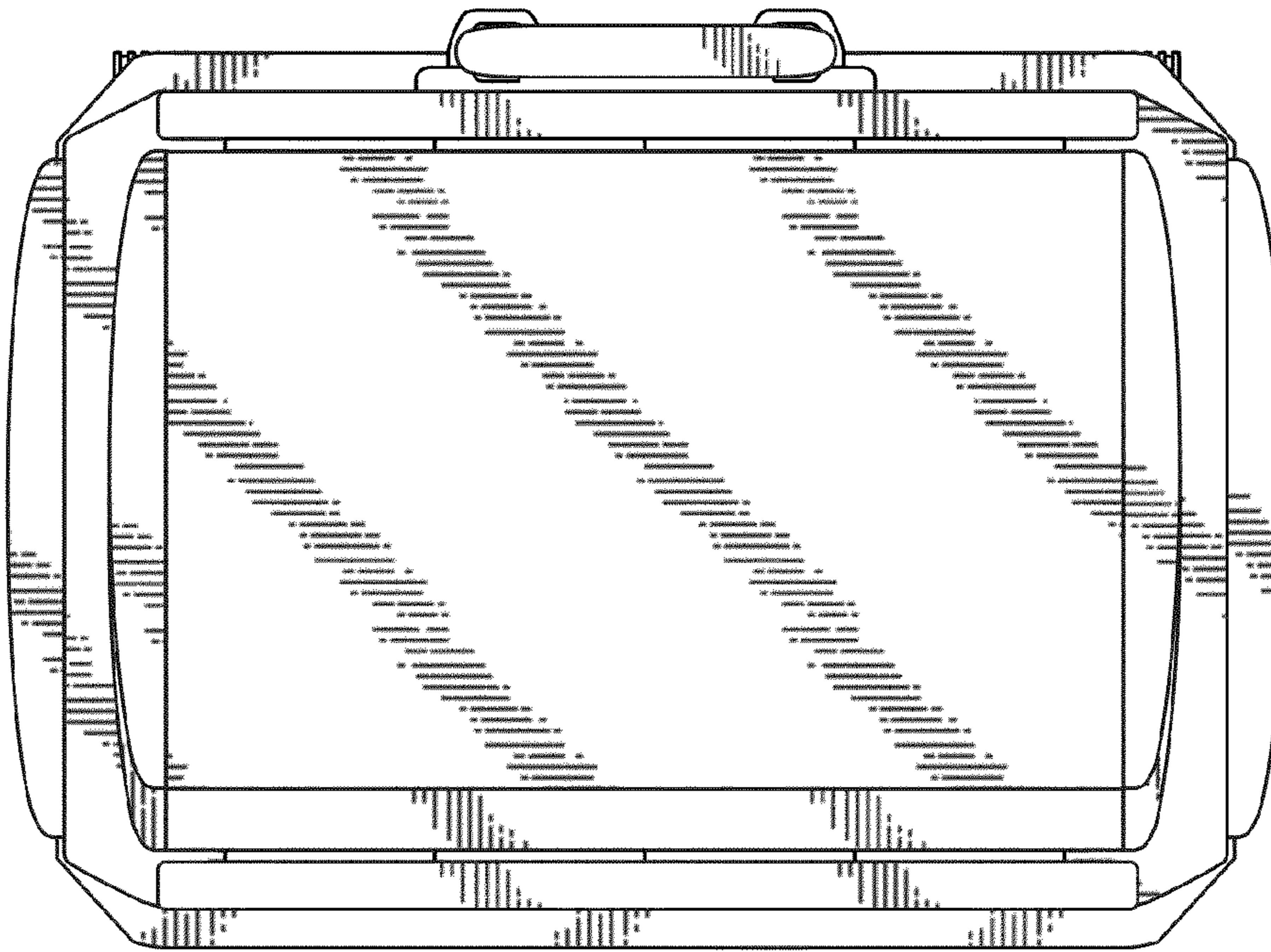


FIG. 5

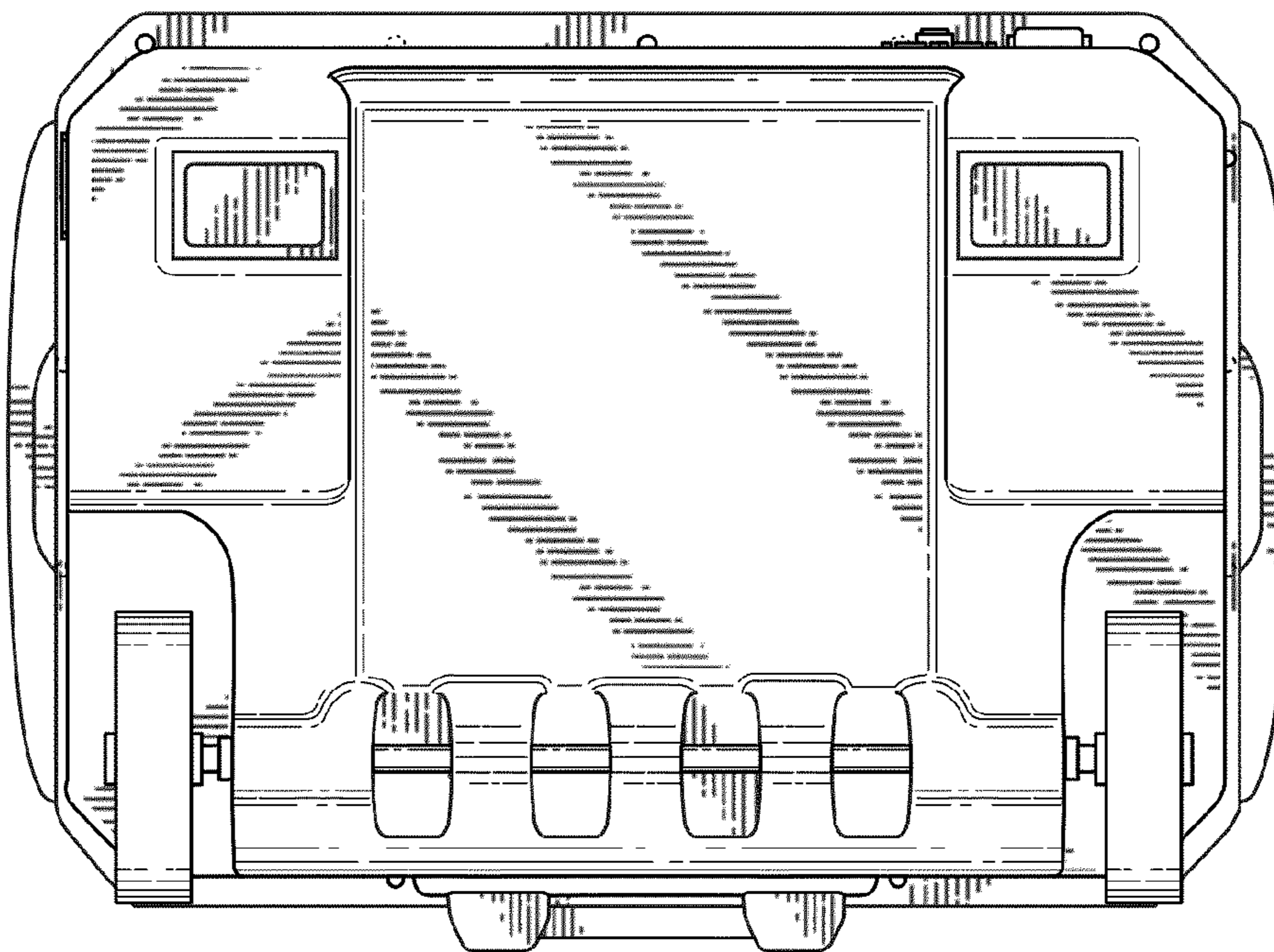


FIG. 6

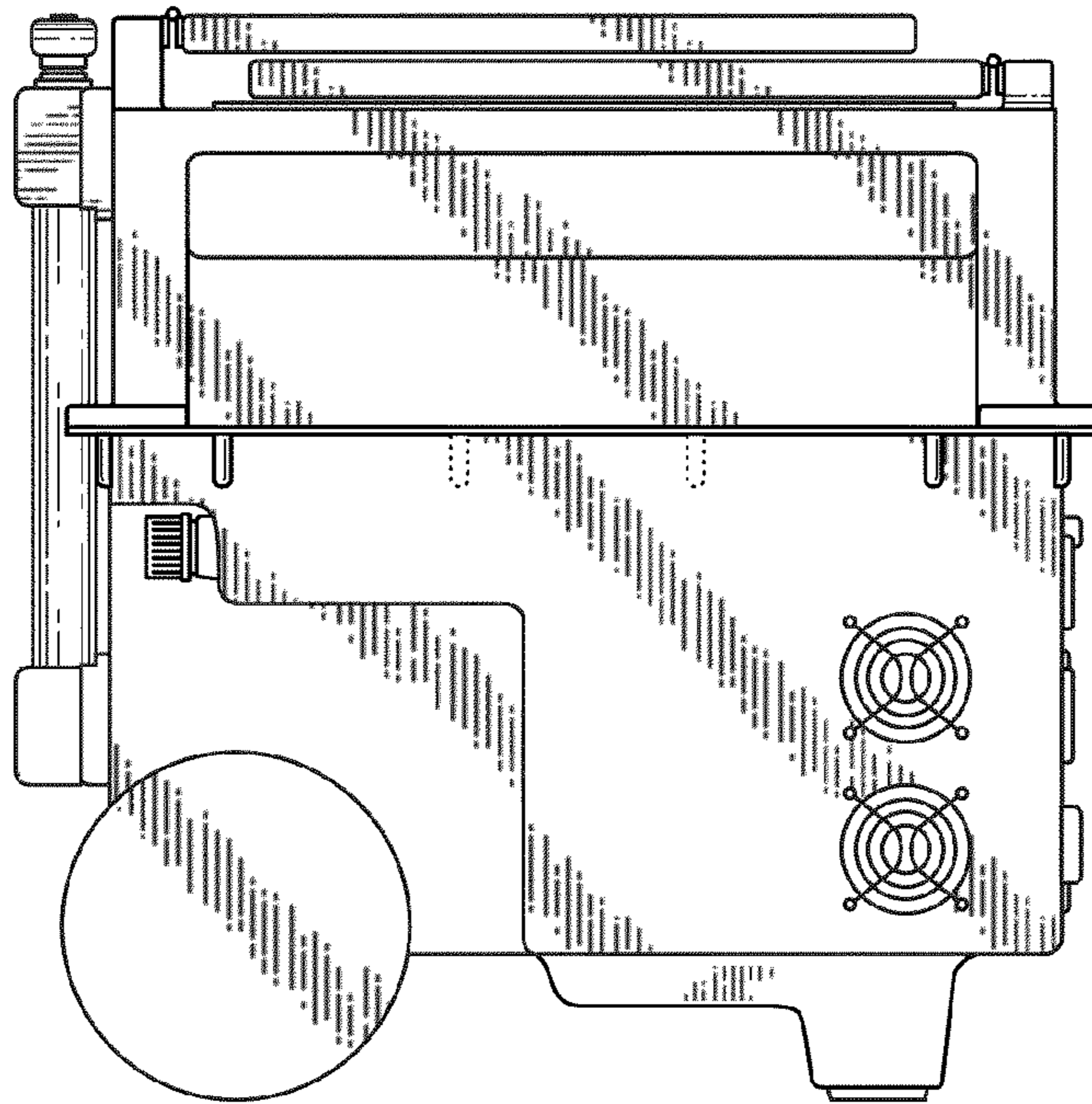


FIG. 7

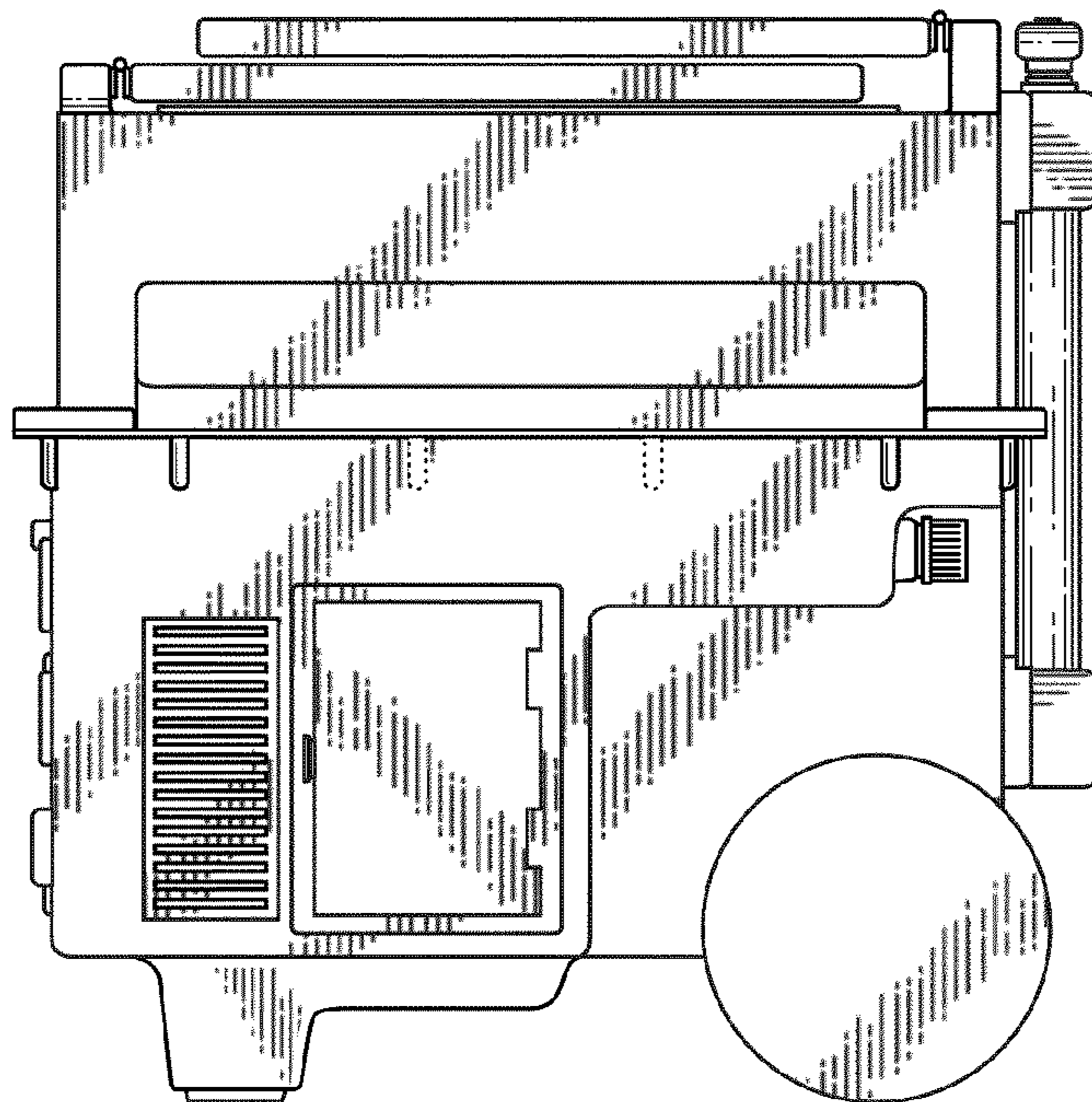


FIG. 8

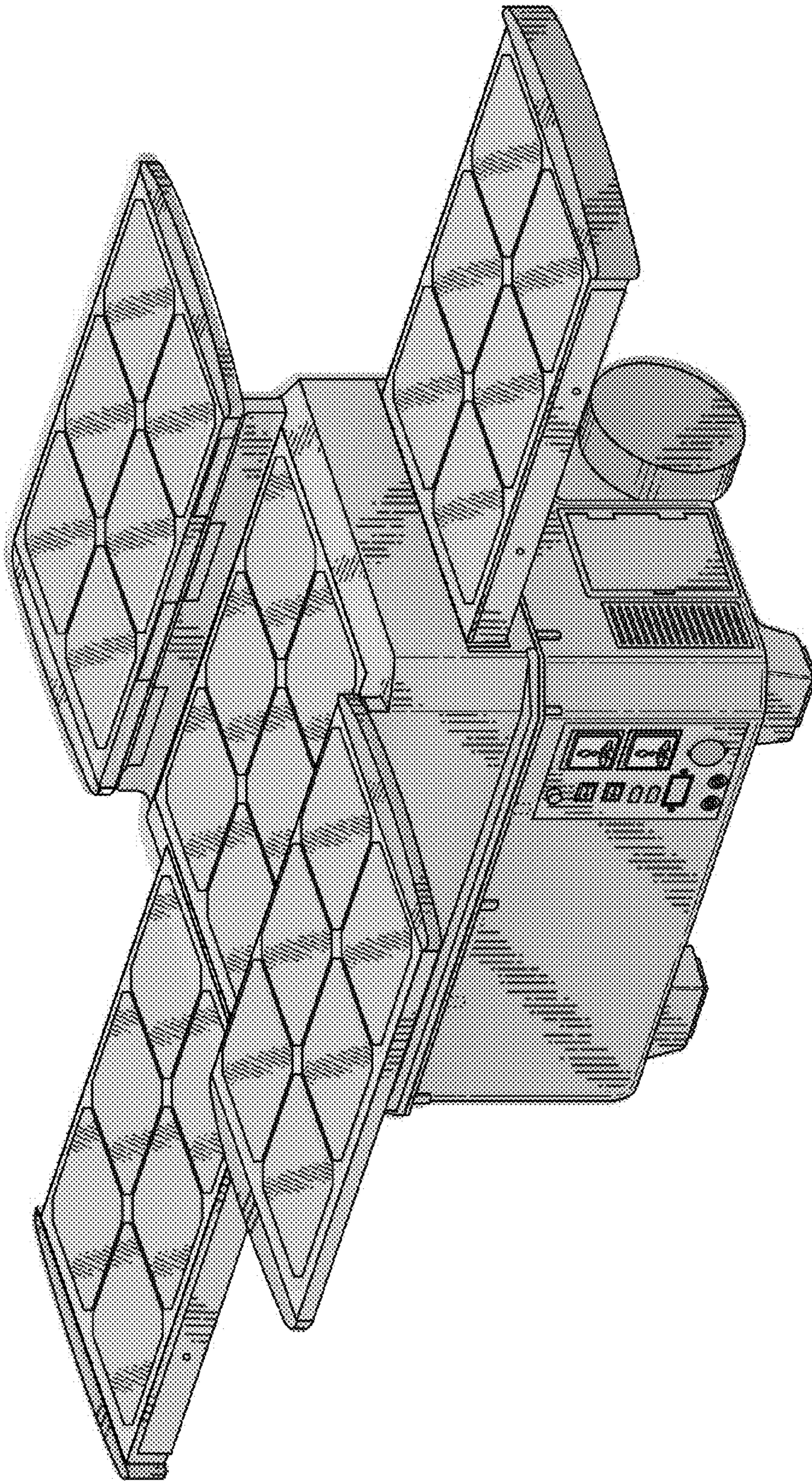


FIG. 9

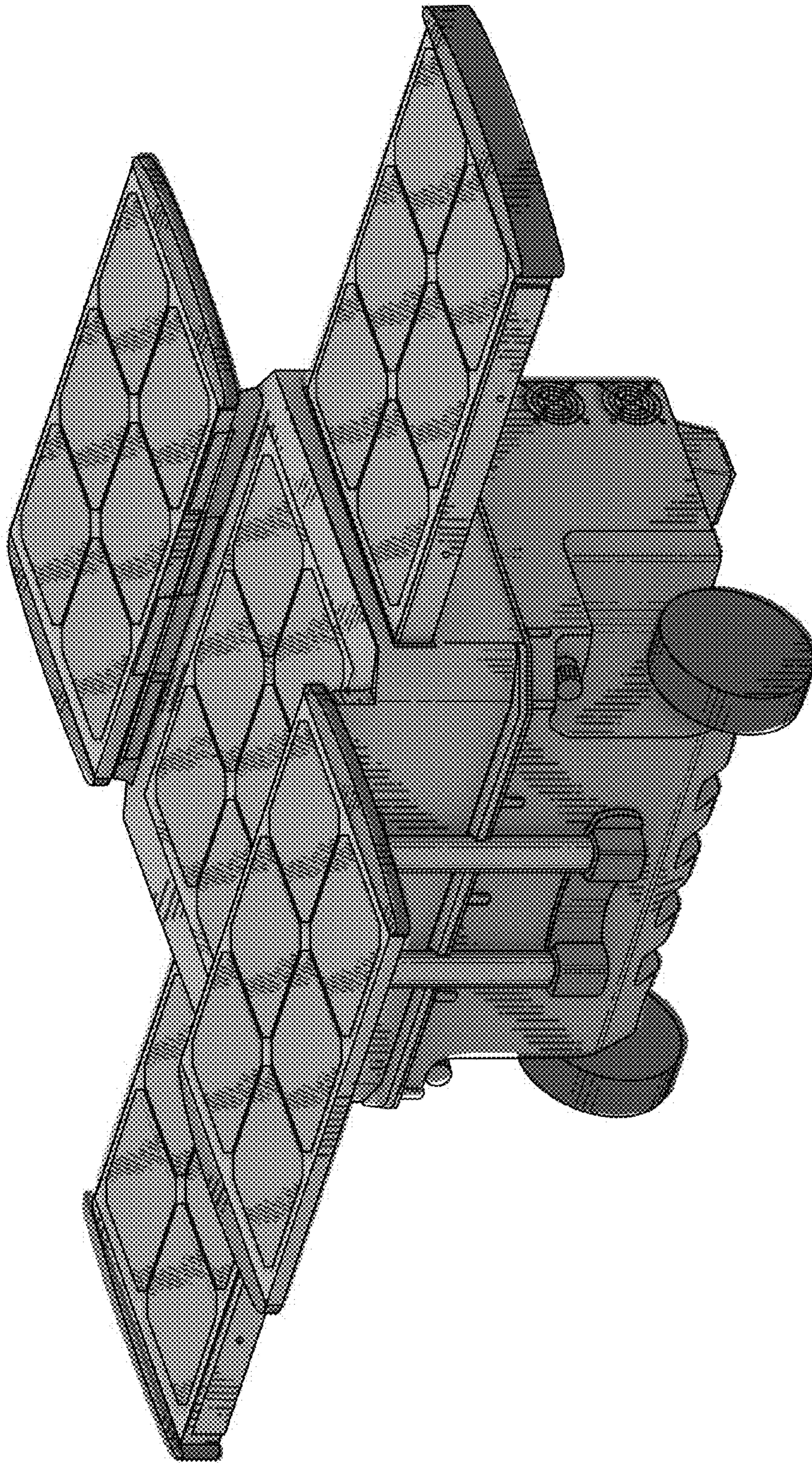


FIG. 10

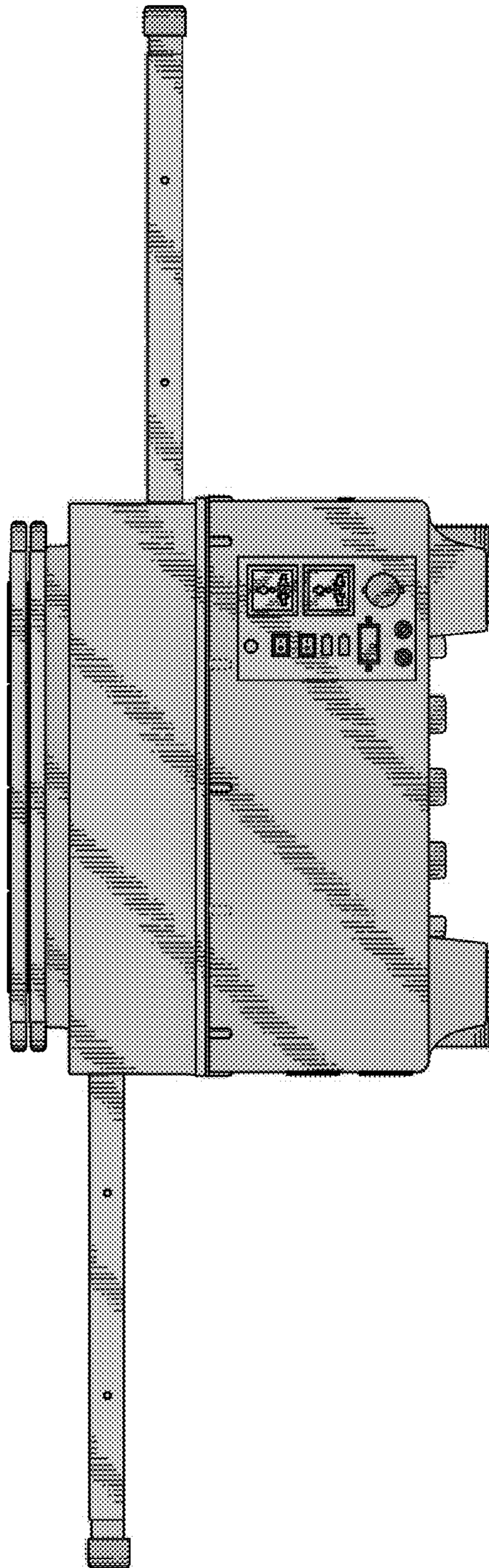


FIG. 11

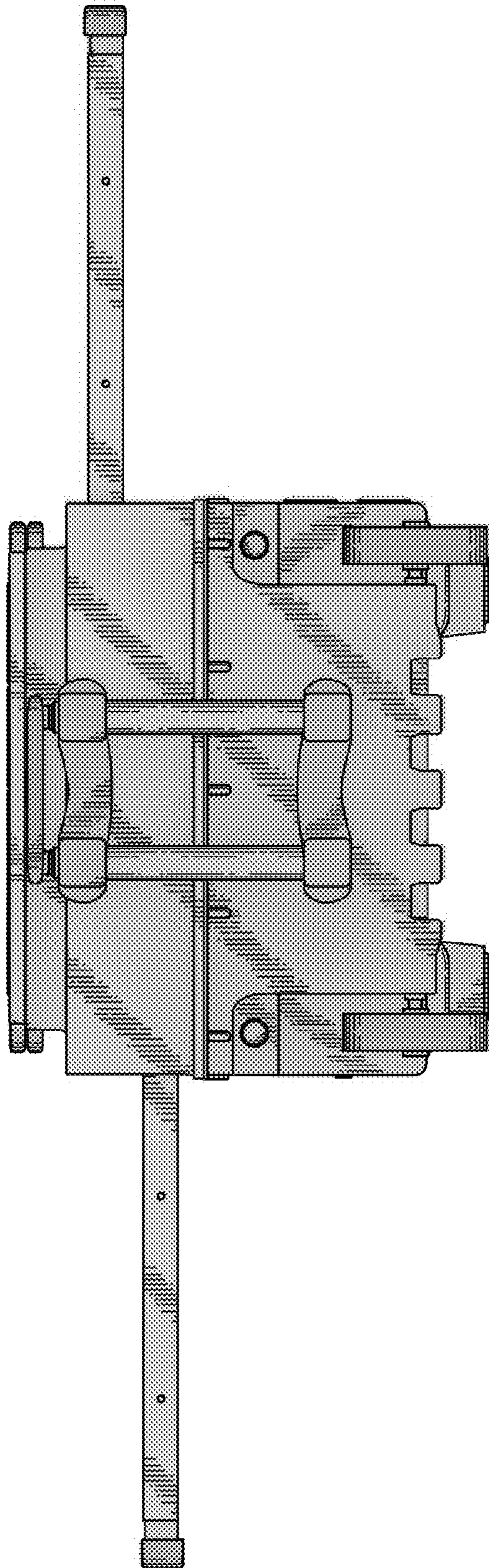


FIG. 12

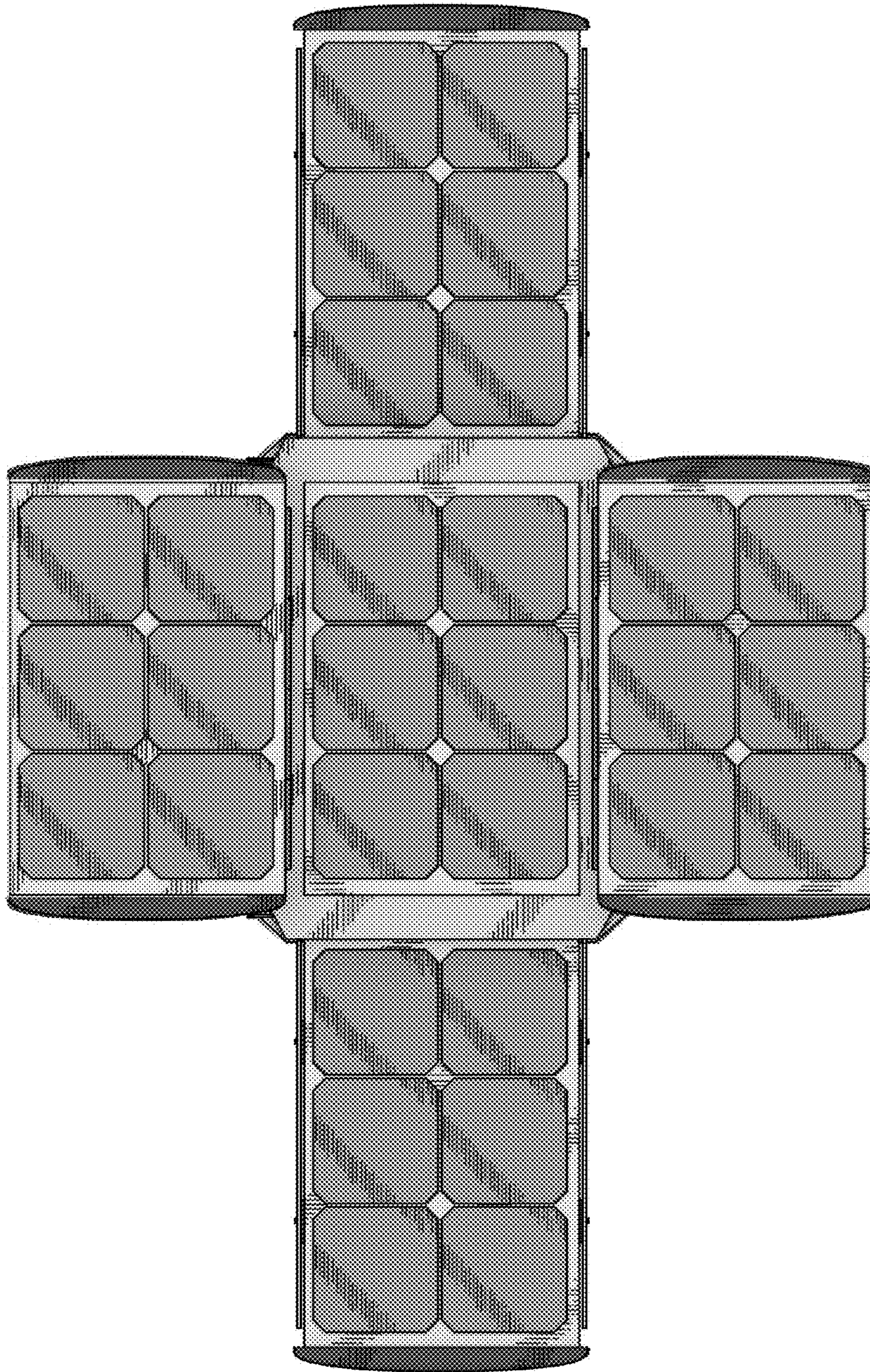


FIG. 13

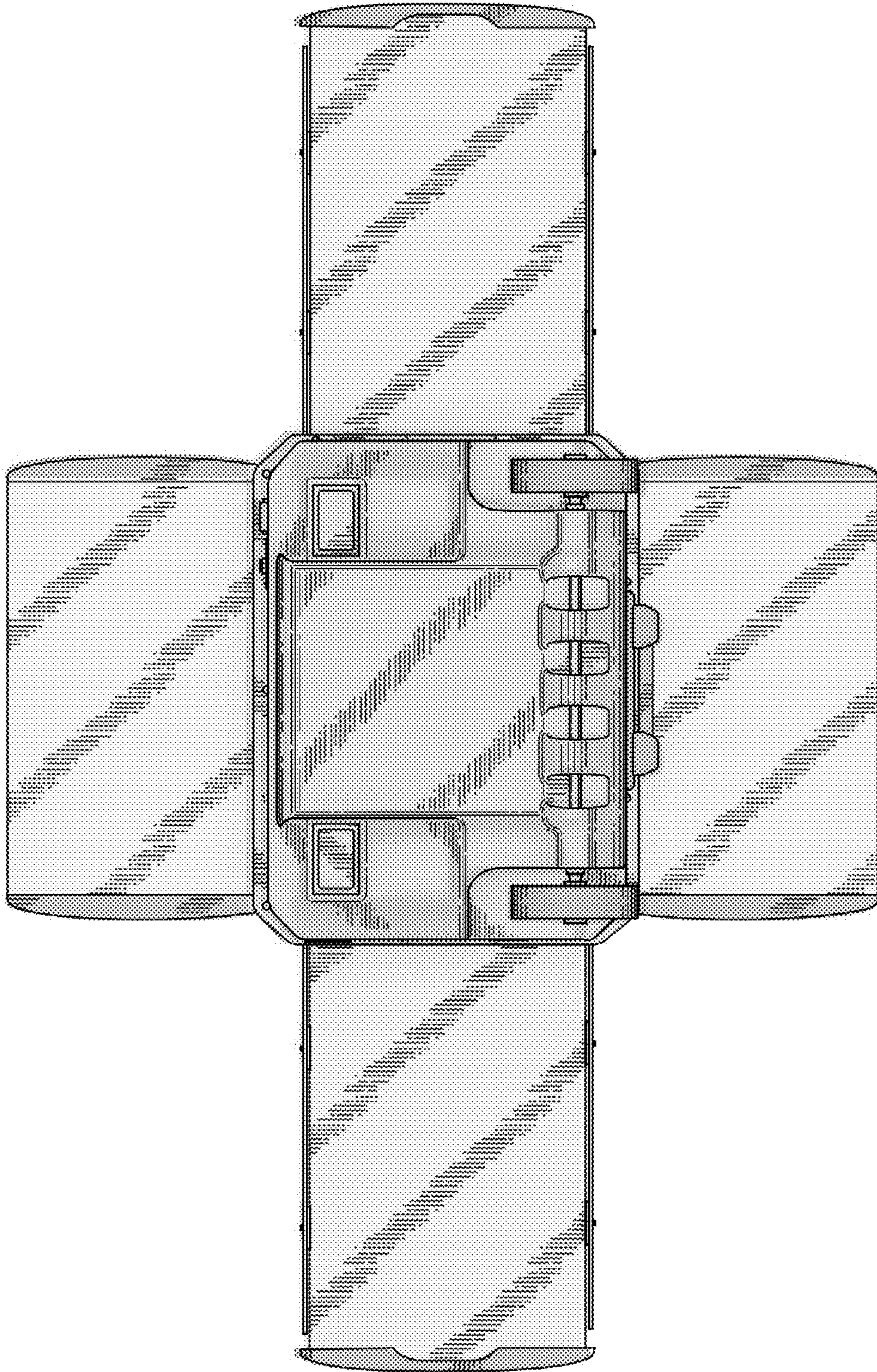


FIG. 14

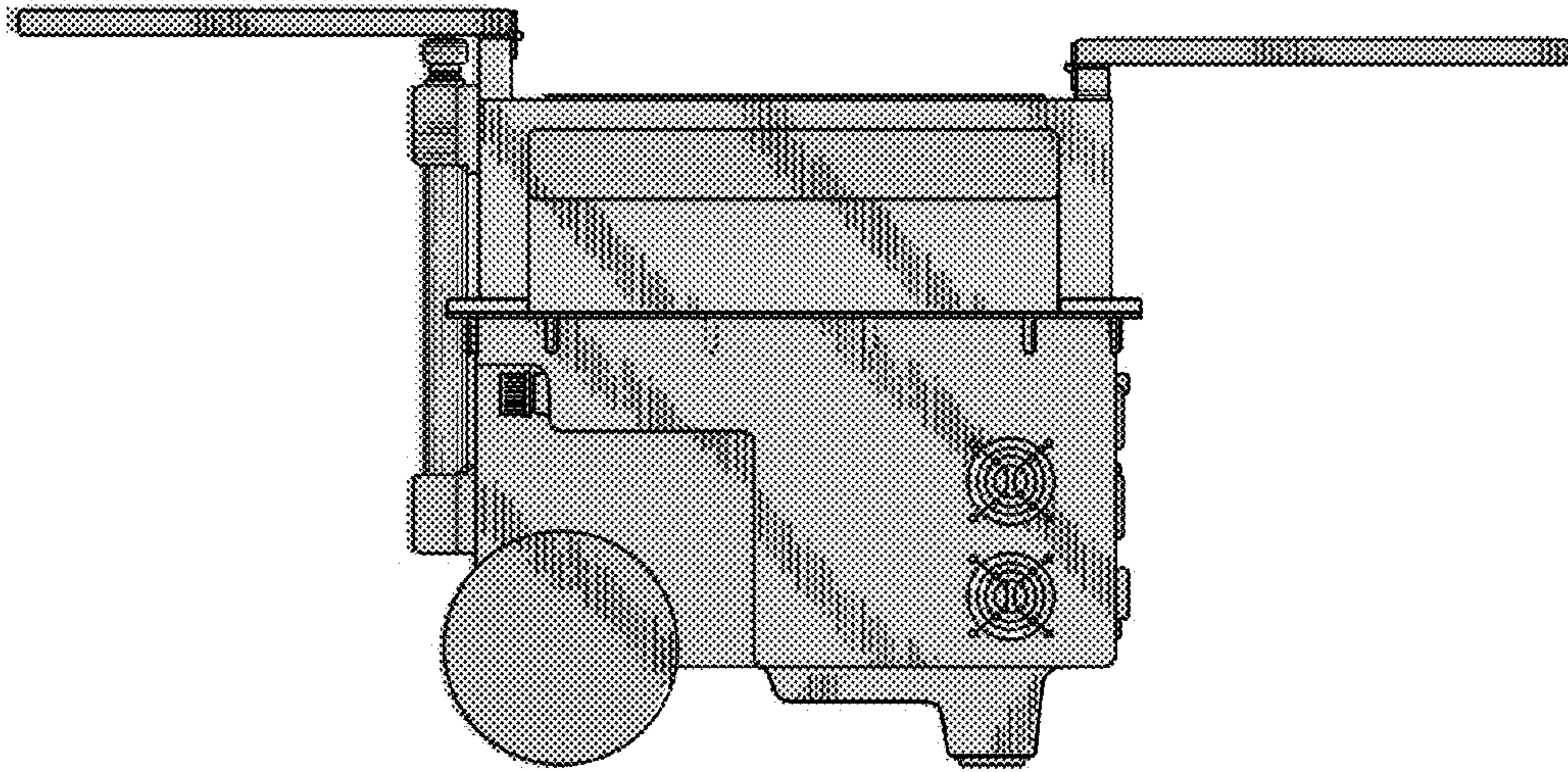


FIG. 15

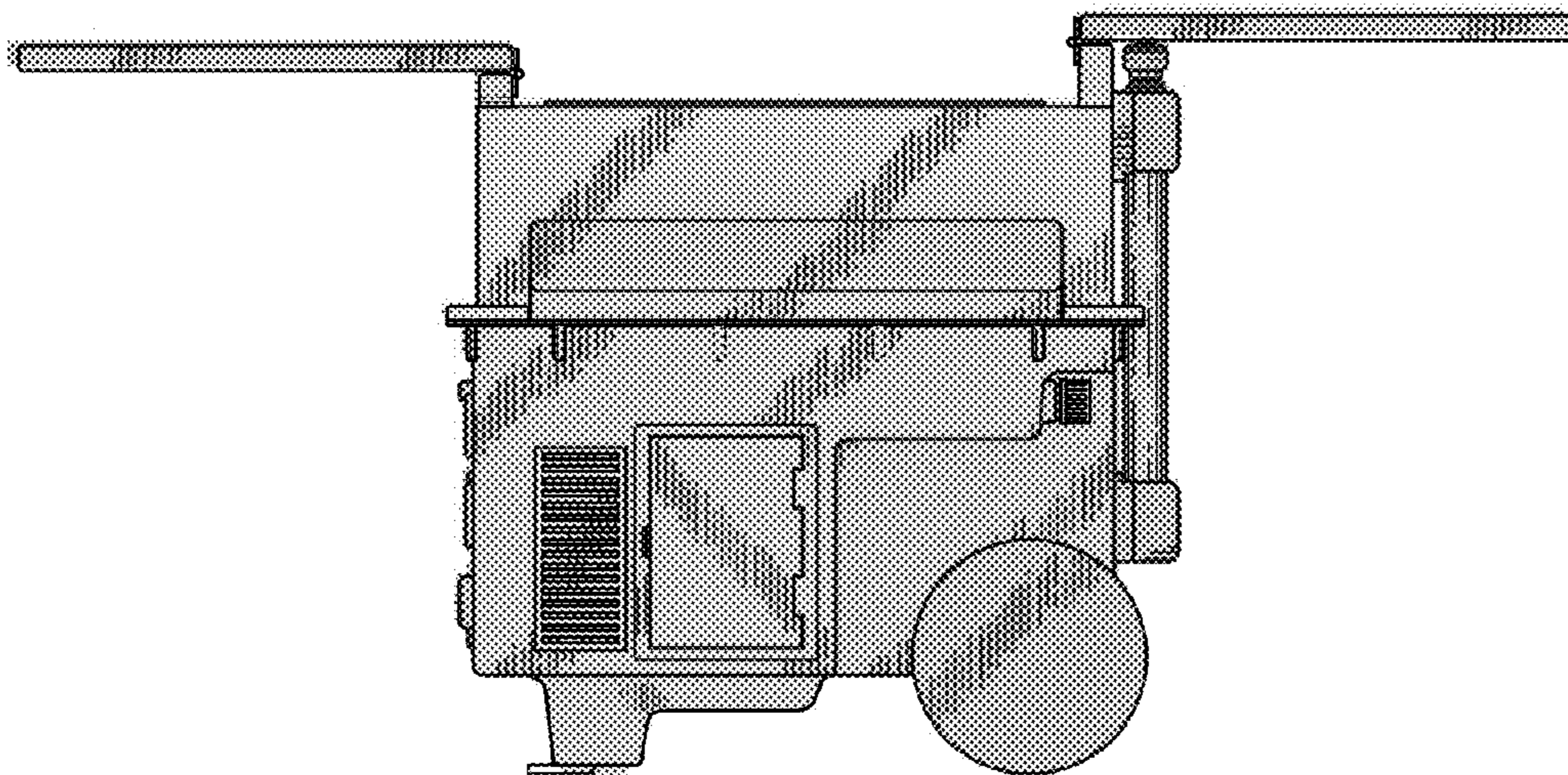


FIG. 16

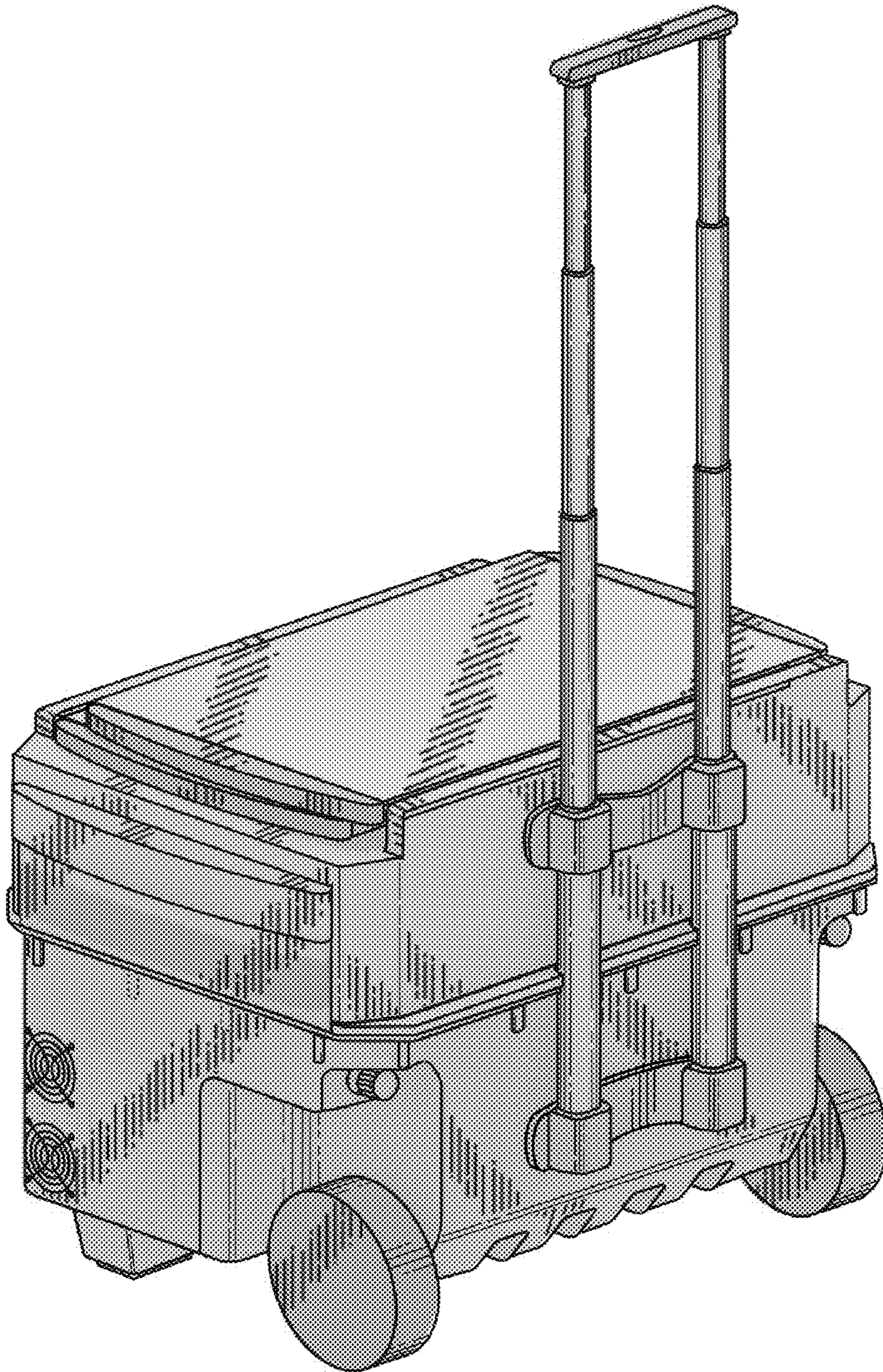


FIG. 17