



US00D655238S

(12) **United States Design Patent**
Vu

(10) **Patent No.:** **US D655,238 S**

(45) **Date of Patent:** **** Mar. 6, 2012**

(54) **HITCH-MOUNTABLE CARRIER FOR LACROSSE STICK**

(76) Inventor: **Tuan Vu**, Maple Valley, WA (US)

(**) Term: **14 Years**

(21) Appl. No.: **29/393,062**

(22) Filed: **May 28, 2011**

(51) **LOC (9) Cl.** **12-16**

(52) **U.S. Cl.** **D12/406**

(58) **Field of Classification Search** D12/401-402,
D12/412-414, 414.1, 406; 280/814; 296/140;
224/309, 327, 328, 321, 402, 488, 493, 315,
224/519

See application file for complete search history.

(56) **References Cited**

U.S. PATENT DOCUMENTS

D352,925 S *	11/1994	Eckhart	D12/406
D374,210 S *	10/1996	Razin	D12/412
D391,220 S *	2/1998	Welter	D12/406
D451,880 S *	12/2001	Adams et al.	D12/406
D494,532 S *	8/2004	Reese	D12/406
D625,247 S *	10/2010	Flaherty et al.	D12/408
D632,634 S *	2/2011	Clausen et al.	D12/406
D633,431 S *	3/2011	Kennedy et al.	D12/412
D633,855 S *	3/2011	Farber	D12/408
D639,231 S *	6/2011	Walsh	D12/414
D639,718 S *	6/2011	Patrick	D12/412
2011/0139845 A1 *	6/2011	Rath et al.	224/519

* cited by examiner

Primary Examiner — Caron D Veynar

Assistant Examiner — Katrina A Betton

(74) *Attorney, Agent, or Firm* — K. Karel Lambert; Lambert Patent Services, LLC.

(57) **CLAIM**

The ornamental design for a hitch-mountable carrier for lacrosse stick, as shown and described.

DESCRIPTION

FIG. 1 is a front perspective view of a hitch-mountable carrier for lacrosse stick showing the new design;

FIG. 2 is a rear perspective view thereof, shown in its hitch-mounted position of use, where features shown in dashed phantom lines of a lacrosse stick inserted therein, a vehicle tailgate with license plate, and a hitch for mounting thereof, are shown for environmental purposes and form no part of the claimed design;

FIG. 3 is a left side elevational view thereof, showing a vertical tubular member and a horizontal tubular member, each said tubular members with end caps;

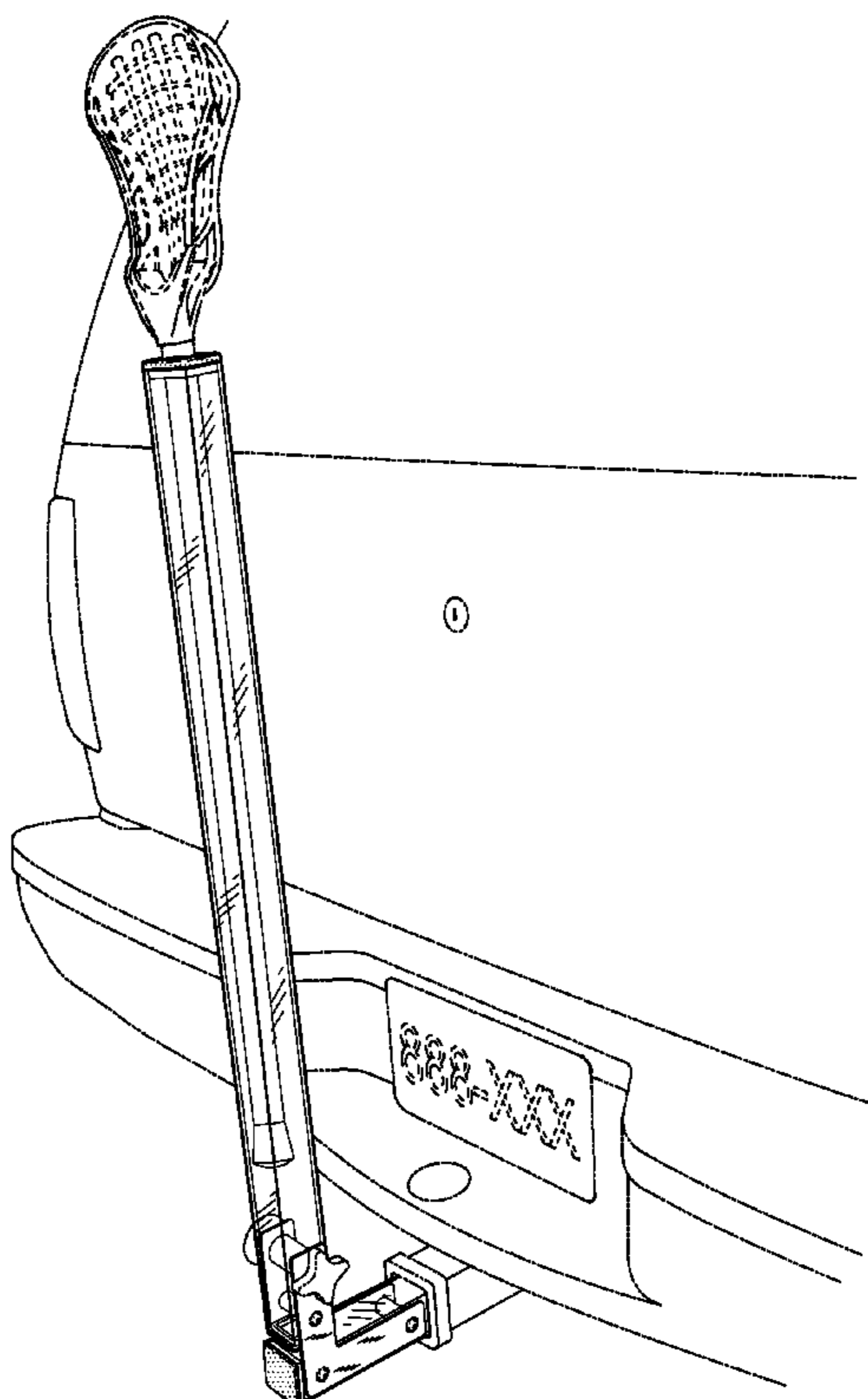
FIG. 4 is a right side elevational view thereof;

FIG. 5 is a front elevational view thereof; and,

FIG. 6 is a top plan view thereof.

In the drawings, surfaces of tubular members are marked with oblique lining to indicate transparency. End caps are stippled to indicate opacity and are not intended to be illustrative of texture or color. The structures depicted by means of dashed phantom lines in the drawings have been shown for informational purposes only and form no part of the claimed design.

1 Claim, 3 Drawing Sheets



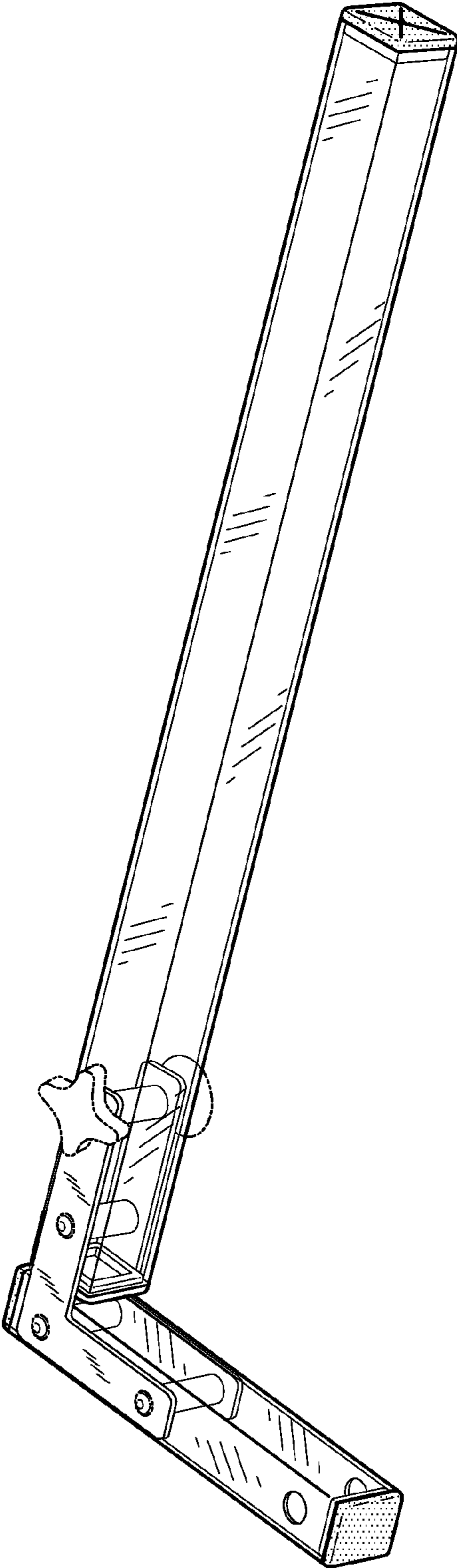


Fig. 1

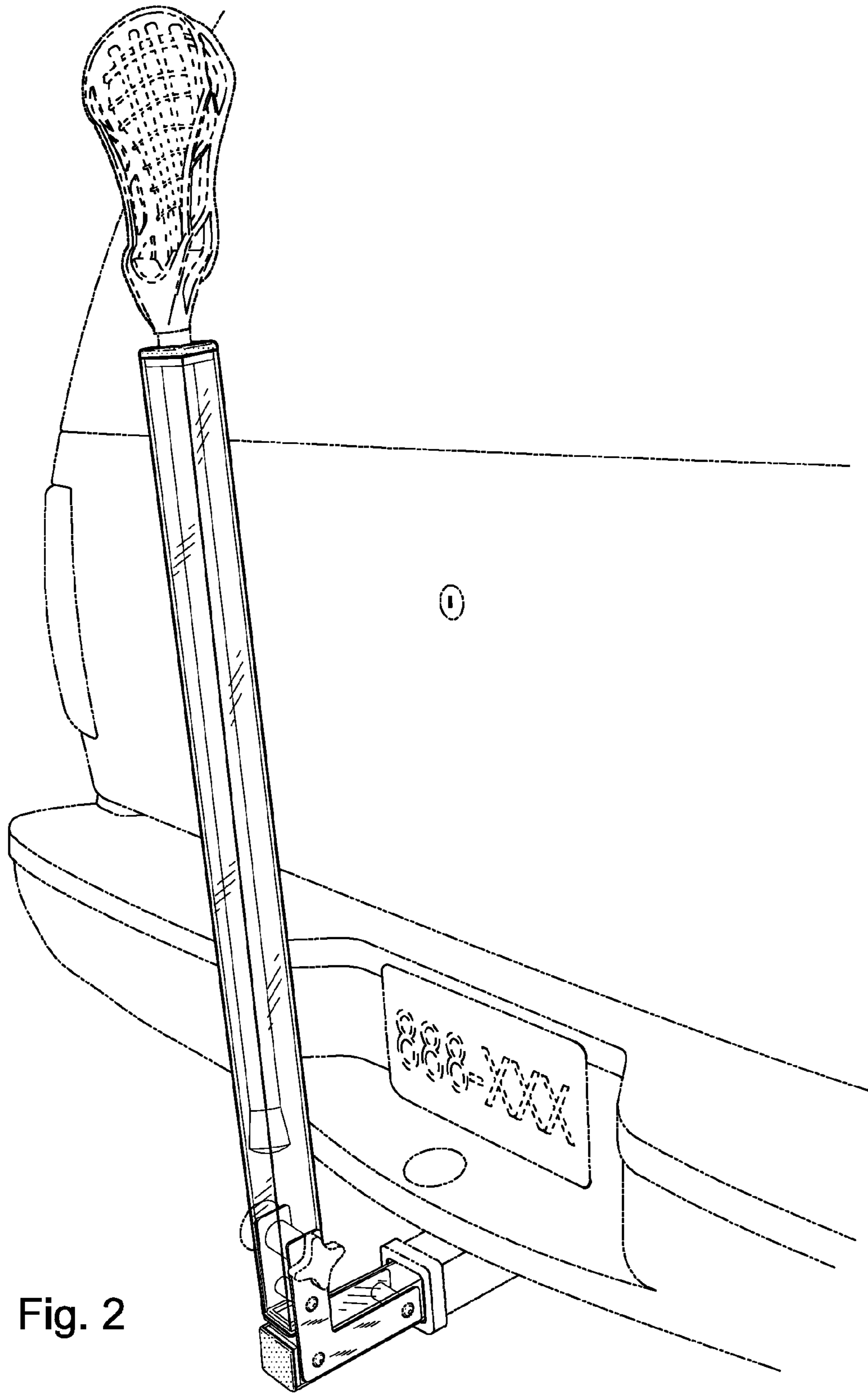


Fig. 2

