



US00D655237S

(12) **United States Design Patent**
Marankie

(10) **Patent No.:** **US D655,237 S**

(45) **Date of Patent:** **** Mar. 6, 2012**

(54) **TRUCK RACK**

(76) **Inventor:** **Greg Marankie**, Newbury Park, CA
(US)

(**) **Term:** **14 Years**

(21) **Appl. No.:** **29/391,278**

(22) **Filed:** **May 5, 2011**

(51) **LOC (9) Cl.** **12-16**

(52) **U.S. Cl.** **D12/406**

(58) **Field of Classification Search** D12/401-402,
D12/412-414, 414.1, 406; 280/814; 296/140;
224/309, 327, 328, 321, 402, 488, 493, 315
See application file for complete search history.

(56) **References Cited**

U.S. PATENT DOCUMENTS

D242,114 S	*	11/1976	Lange	D8/373
D294,340 S	*	2/1988	Robson	D12/414
D346,355 S	*	4/1994	Weger et al.	D12/412
D386,145 S	*	11/1997	Staller	D12/412

D571,279 S	*	6/2008	Trusty et al.	D12/414
D623,584 S	*	9/2010	Farber	D12/412
D637,949 S	*	5/2011	Farber	D12/412
D638,345 S	*	5/2011	Kanczuzewski et al.	D12/406

* cited by examiner

Primary Examiner — Caron D Veynar

Assistant Examiner — Katrina A Betton

(74) *Attorney, Agent, or Firm* — Sinorica, LLC

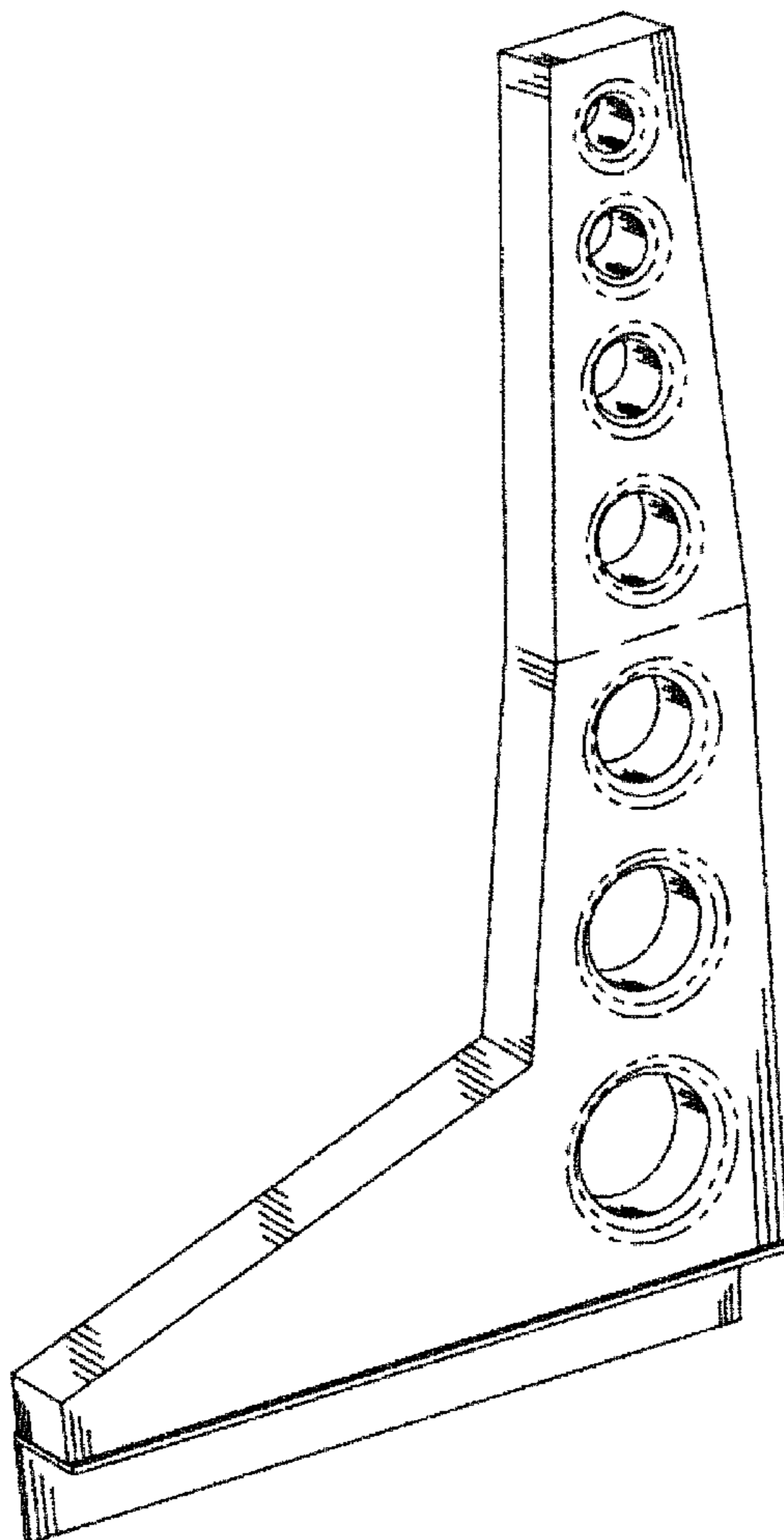
(57) **CLAIM**

The ornamental design for a truck rack, as shown and described.

DESCRIPTION

FIG. 1 is a perspective view of a truck rack;
FIG. 2 is a front elevational view thereof;
FIG. 3 is a rear elevational view thereof;
FIG. 4 is a right-side elevational view thereof;
FIG. 5 is a left-side elevational view thereof;
FIG. 6 is a bottom plan view thereof; and,
FIG. 7 is a top plan view thereof.

1 Claim, 5 Drawing Sheets



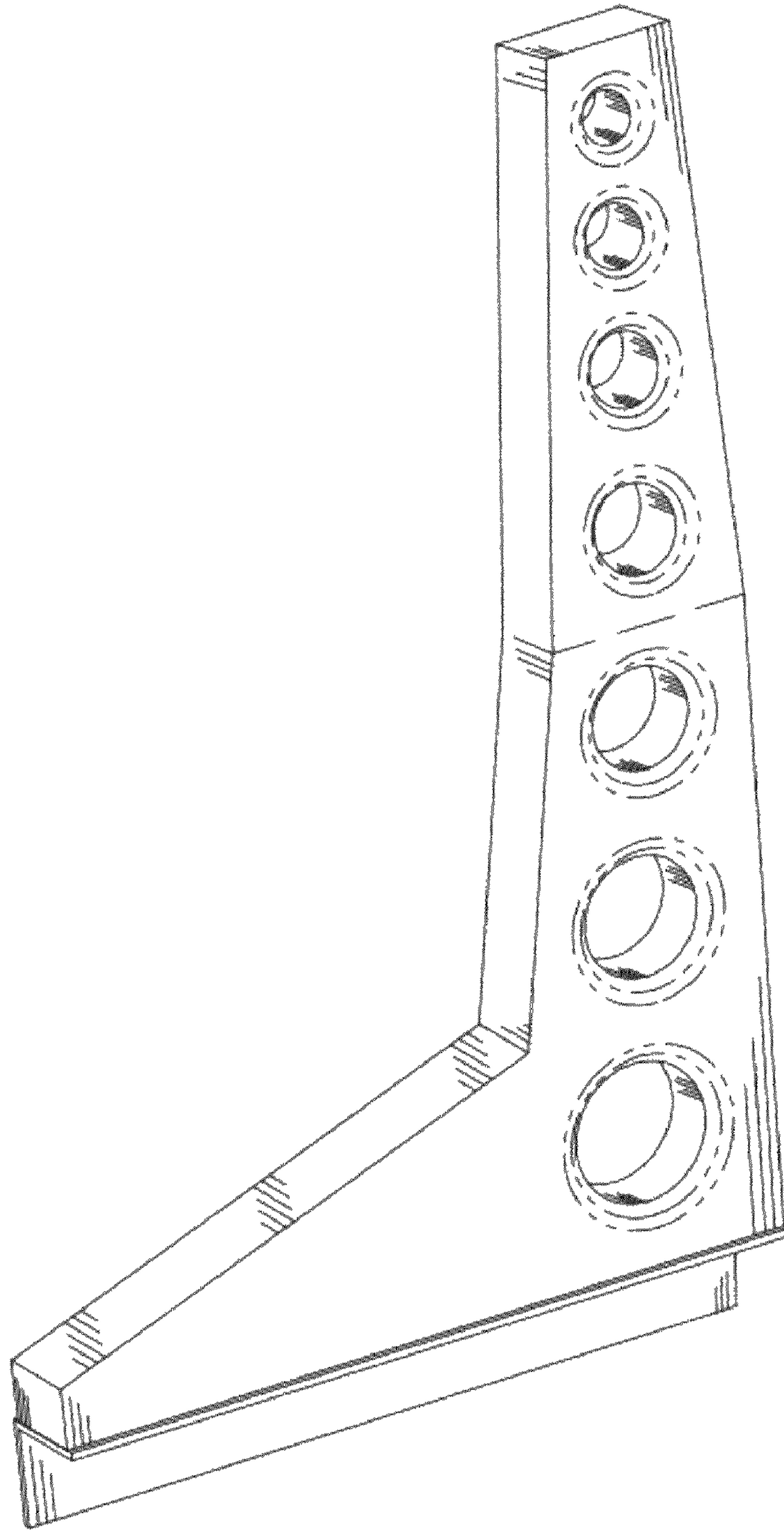


FIG. 1

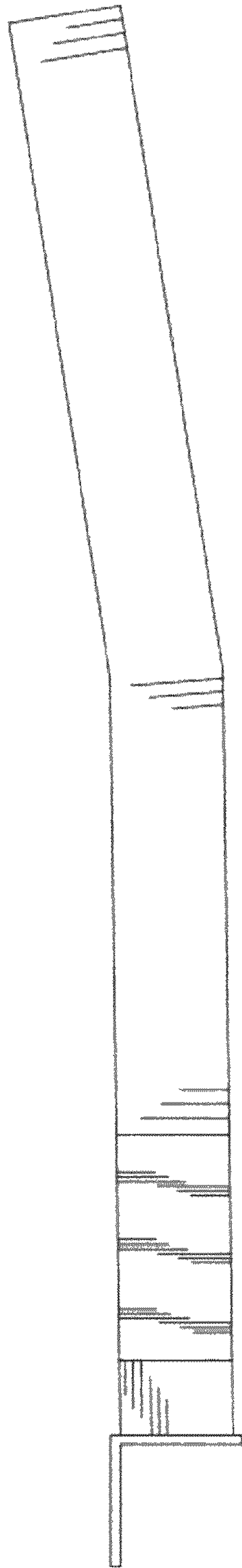


FIG. 2

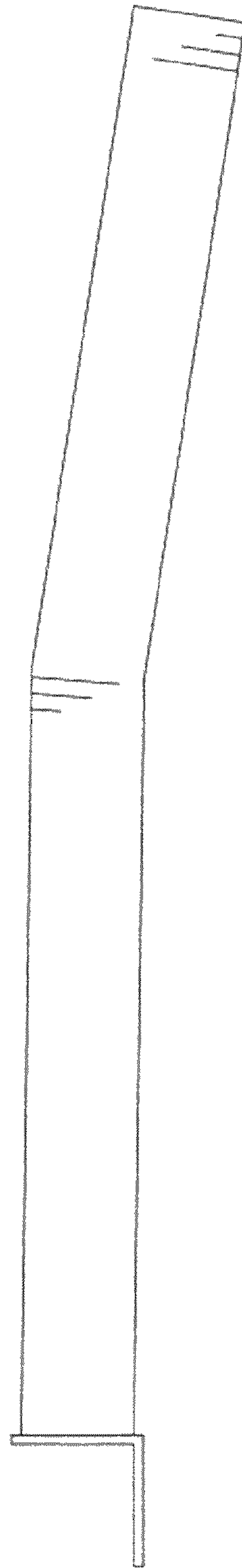


FIG. 3

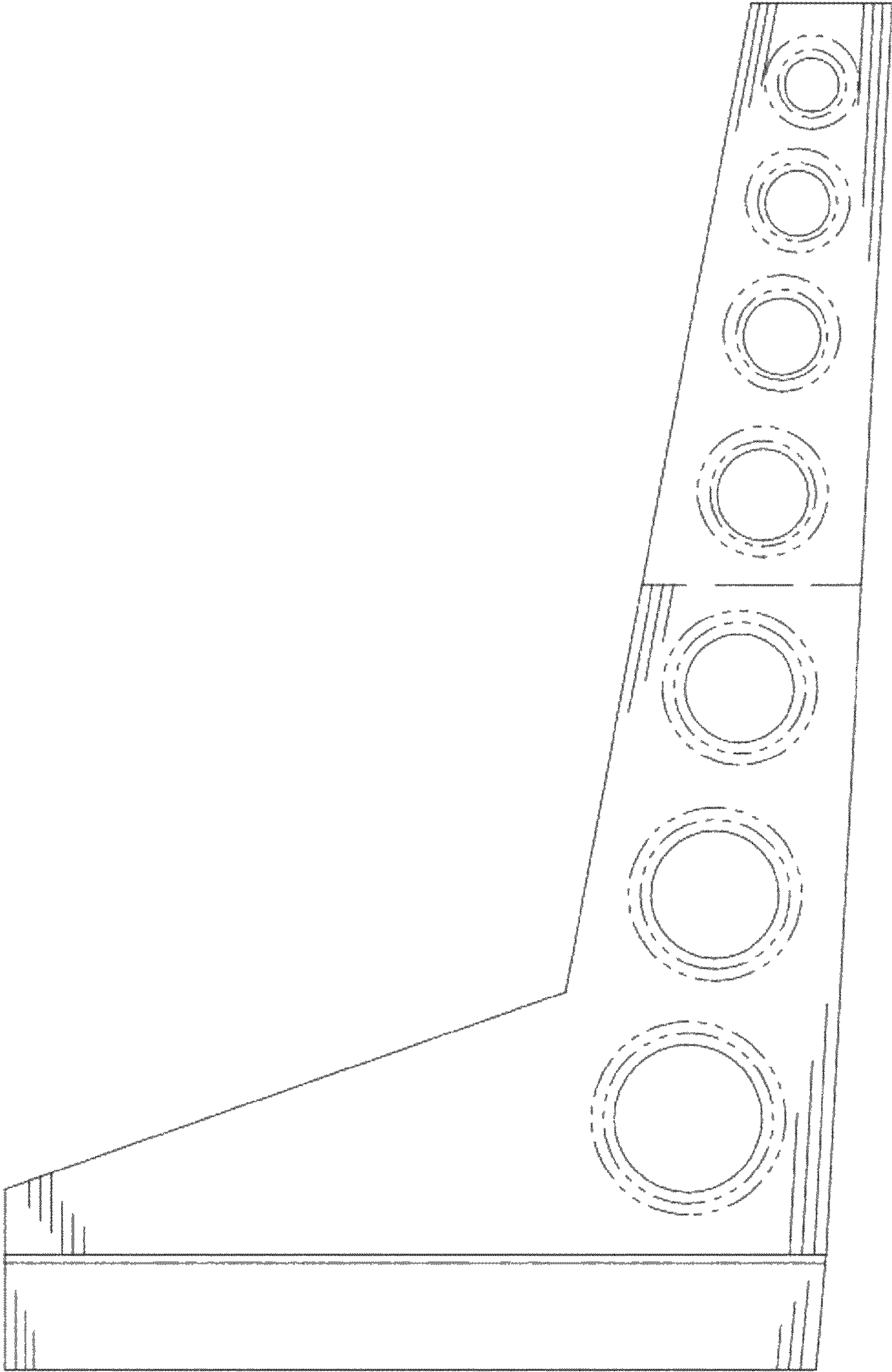


FIG. 4

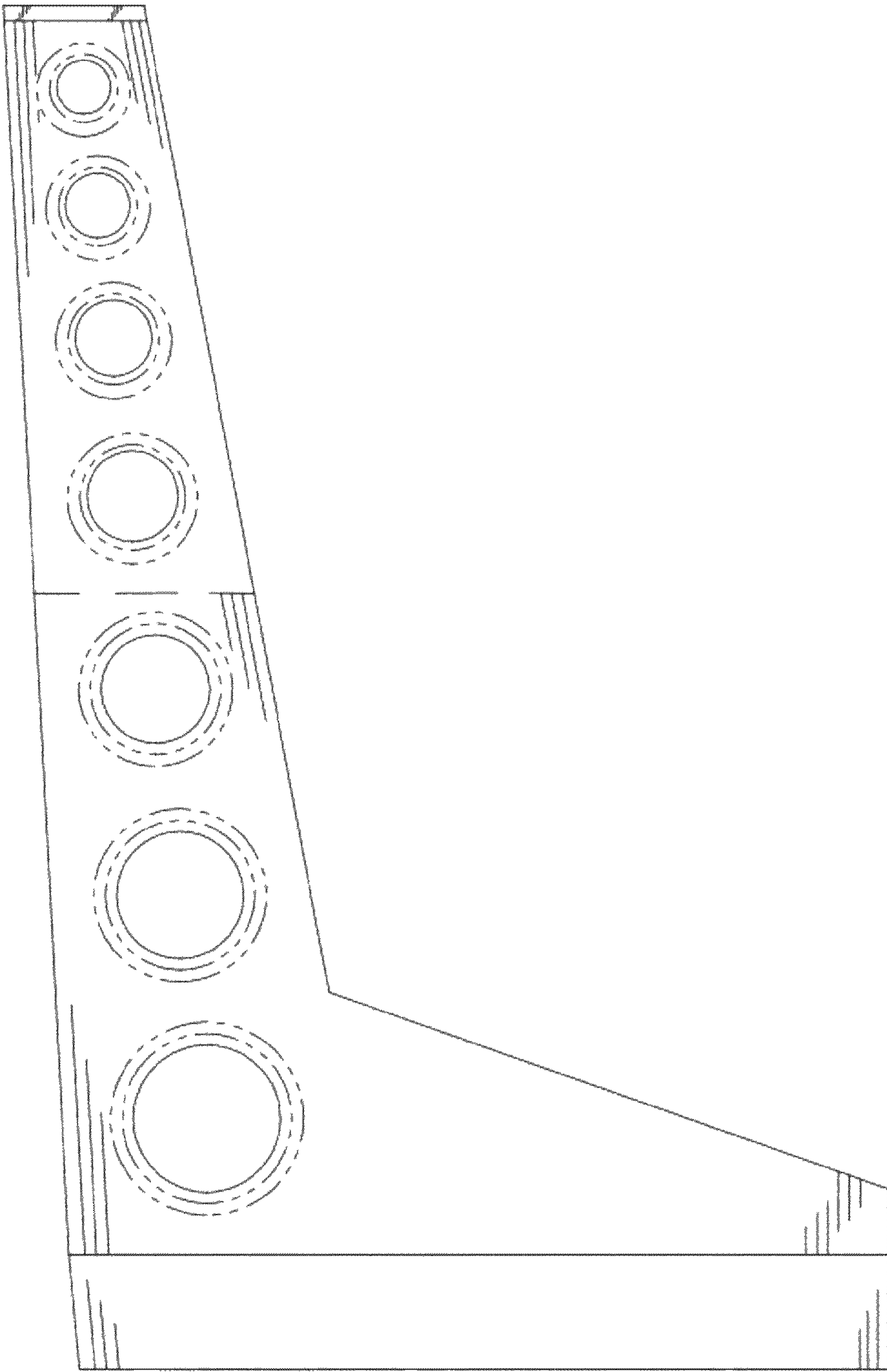


FIG. 5

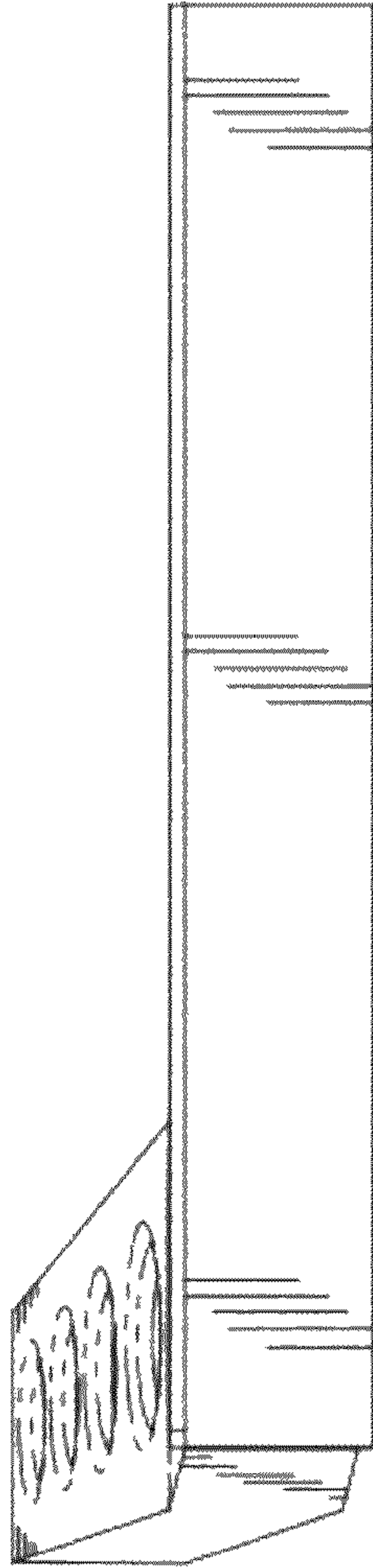


FIG. 6

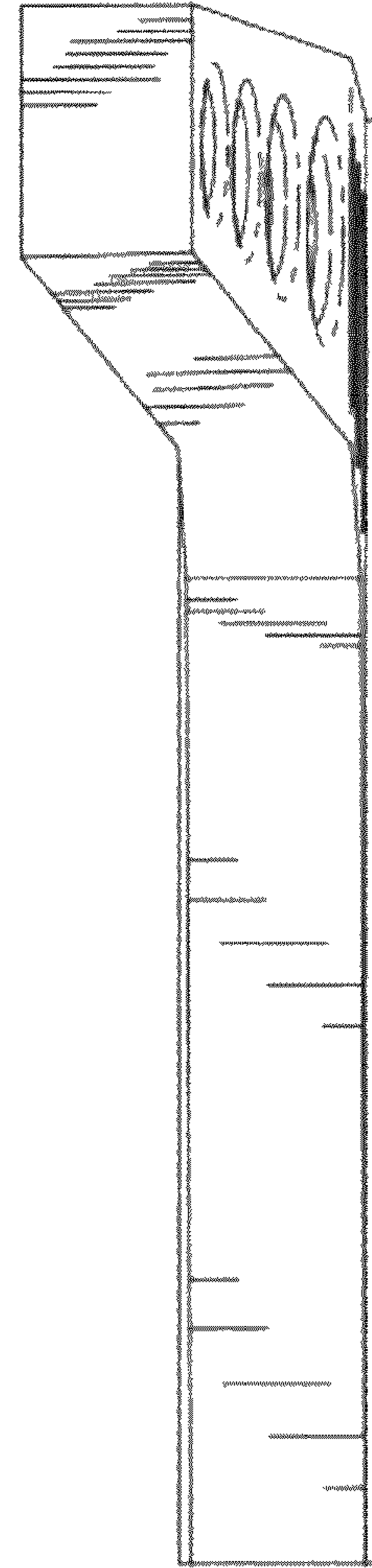


FIG. 7