



US00D655236S

(12) **United States Design Patent**
Sanschagrın

(10) **Patent No.:** **US D655,236 S**

(45) **Date of Patent:** **** Mar. 6, 2012**

(54) **UTILITY VEHICLE ROLL CAGE ASSEMBLY**

(75) **Inventor:** **Stephane Sanschagrın, Valcourt (CA)**

(73) **Assignee:** **Bombardier Recreational Products Inc., Valcourt (CA)**

(**) **Term:** **14 Years**

(21) **Appl. No.:** **29/363,119**

(22) **Filed:** **Jun. 4, 2010**

(51) **LOC (9) Cl.** **12-06**

(52) **U.S. Cl.** **D12/222**

(58) **Field of Classification Search** D12/222,
D12/400, 401, 404, 406, 412, 414, 223, 86,
D12/93, 101; 224/923, 924; 211/100, 124,
211/2, 4, 85.7; D6/552

See application file for complete search history.

(56) **References Cited**

U.S. PATENT DOCUMENTS

3,622,177	A *	11/1971	Notestine et al.	280/756
D245,496	S *	8/1977	Wheeler	D12/222
4,148,504	A *	4/1979	Rushing	280/756
D262,790	S *	1/1982	Bernier	D12/222
D332,239	S *	1/1993	Hirata et al.	D12/1
D439,548	S	3/2001	Kouchi et al.	
D498,435	S	11/2004	Saito et al.	
D503,905	S	4/2005	Saito et al.	
D504,638	S	5/2005	Tanaka et al.	
D511,317	S	11/2005	Tanaka et al.	
D513,223	S *	12/2005	Saito et al.	D12/222
D555,036	S	11/2007	Eck	
D569,333	S *	5/2008	Hartford	D12/401
D578,934	S	10/2008	Tanaka et al.	
D579,853	S *	11/2008	Stark	D12/414
D605,555	S	12/2009	Tanaka et al.	
D606,900	S	12/2009	Flores	
D610,514	S	2/2010	Eck	

D621,328	S *	8/2010	Sistare et al.	D12/222
D621,426	S	8/2010	Fusejima et al.	
D622,645	S	8/2010	Ichihara et al.	

* cited by examiner

Primary Examiner — Caron D Veynar

Assistant Examiner — Katrina A Betton

(74) *Attorney, Agent, or Firm* — Osler, Hoskin & Harcourt LLP

(57) **CLAIM**

The ornamental design for a utility vehicle roll cage assembly, as shown and described.

DESCRIPTION

FIG. 1 is a perspective view taken from a front, left side of a utility vehicle roll cage assembly according to my design; FIG. 2 is a perspective view taken from a rear, left side thereof;

FIG. 3 is a top plan view thereof;

FIG. 4 is a left side elevation view thereof;

FIG. 5 is a right side elevation view thereof;

FIG. 6 is a front elevation view thereof;

FIG. 7 is a rear elevation view thereof;

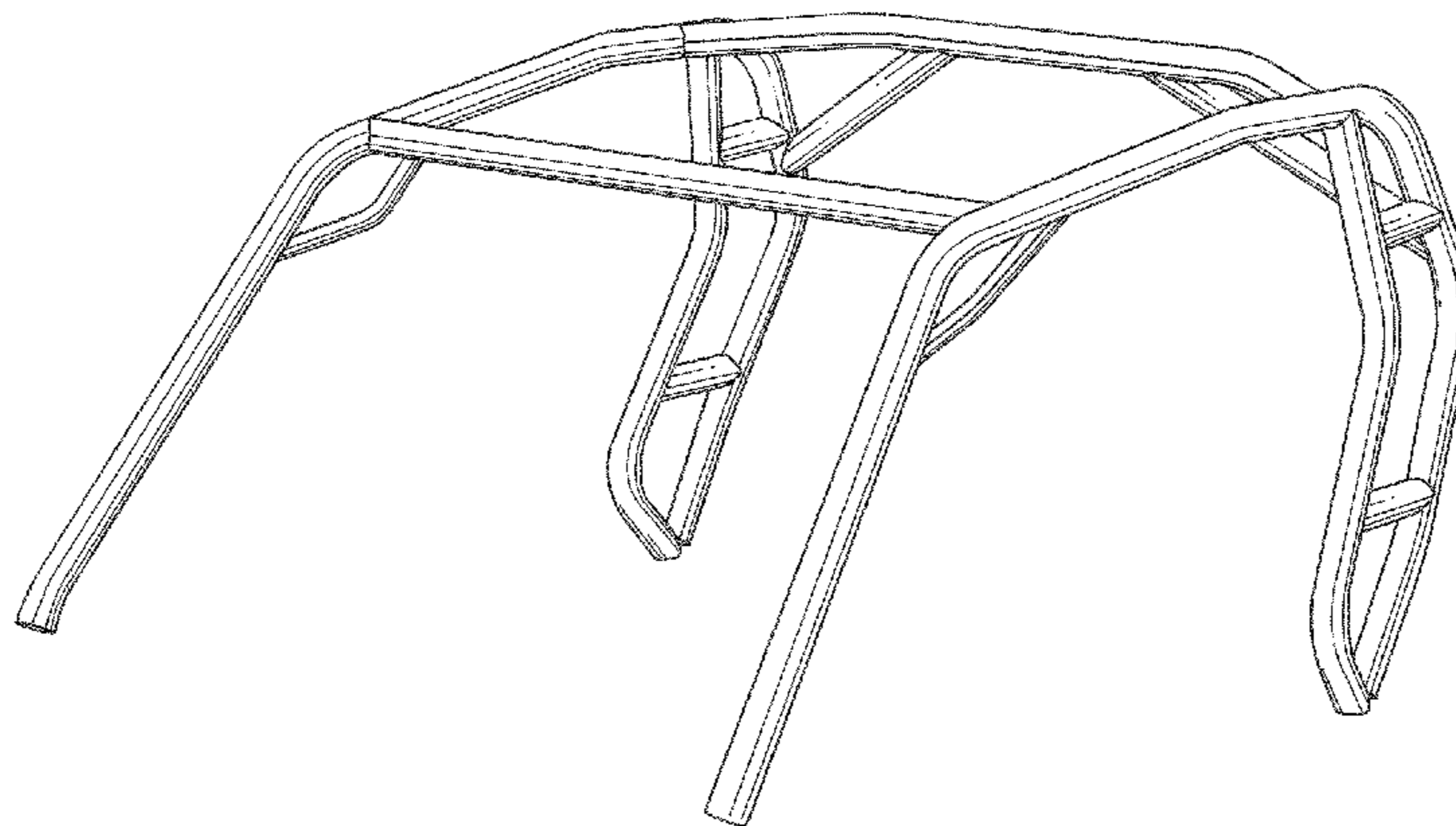
FIG. 8 is a bottom plan view thereof;

FIG. 9 is a perspective view taken from a front, left side of the utility vehicle roll cage assembly of FIG. 1 shown on a utility vehicle shown in dotted lines; and,

FIG. 10 is a perspective view taken from a rear, right side of the utility vehicle roll cage assembly of FIG. 1 shown on a utility vehicle shown in dotted lines.

Throughout the Figures, where shown, the broken lines showing additional structure of the utility vehicle roll cage assembly and the utility vehicle on which it is shown are for illustrative purposes only and form no part of the claimed design. Portions of the utility vehicle roll cage assembly not shown in the Figures and not otherwise described in this Specification do not form part of the claimed design.

1 Claim, 6 Drawing Sheets



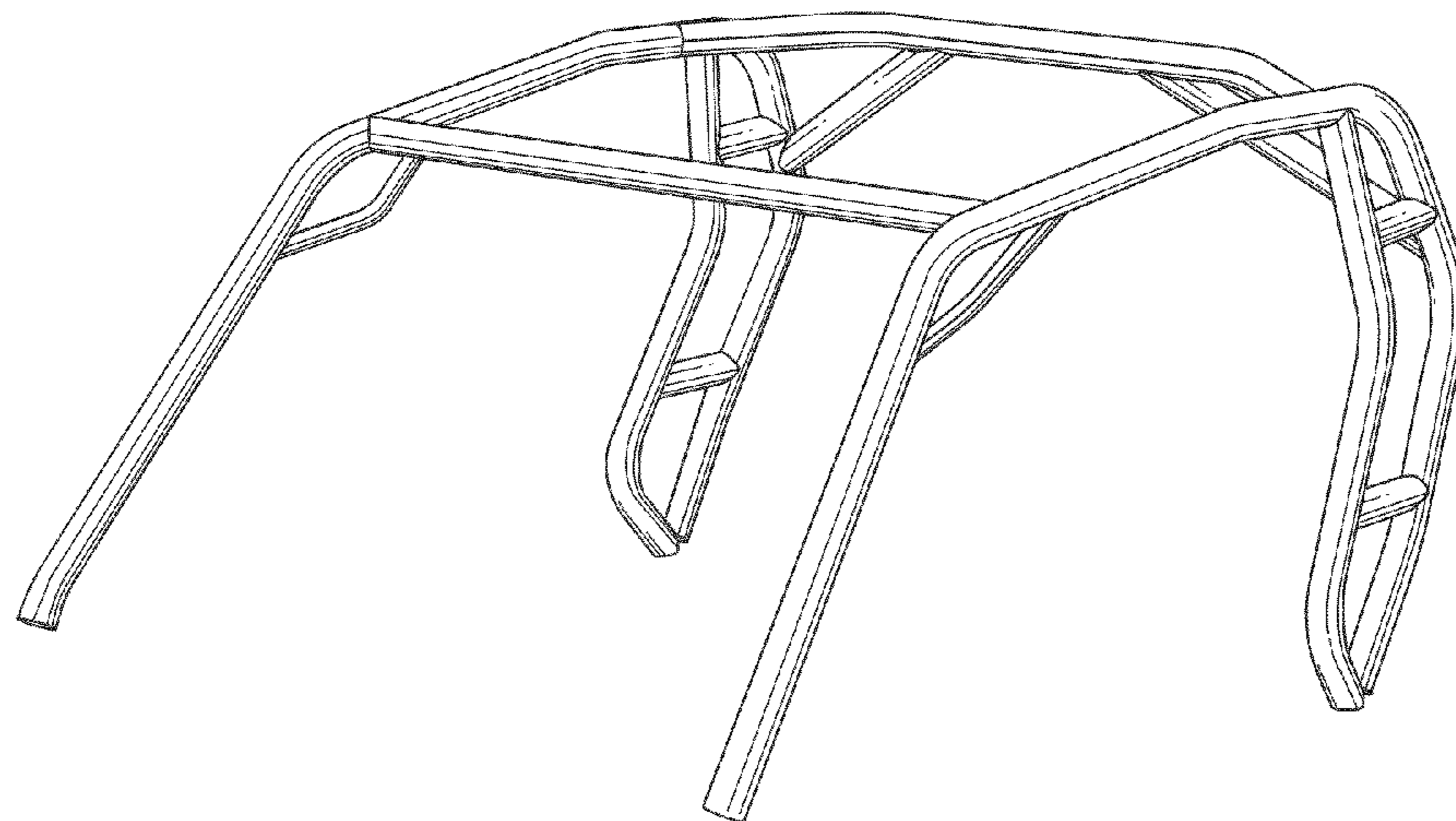


Fig.1

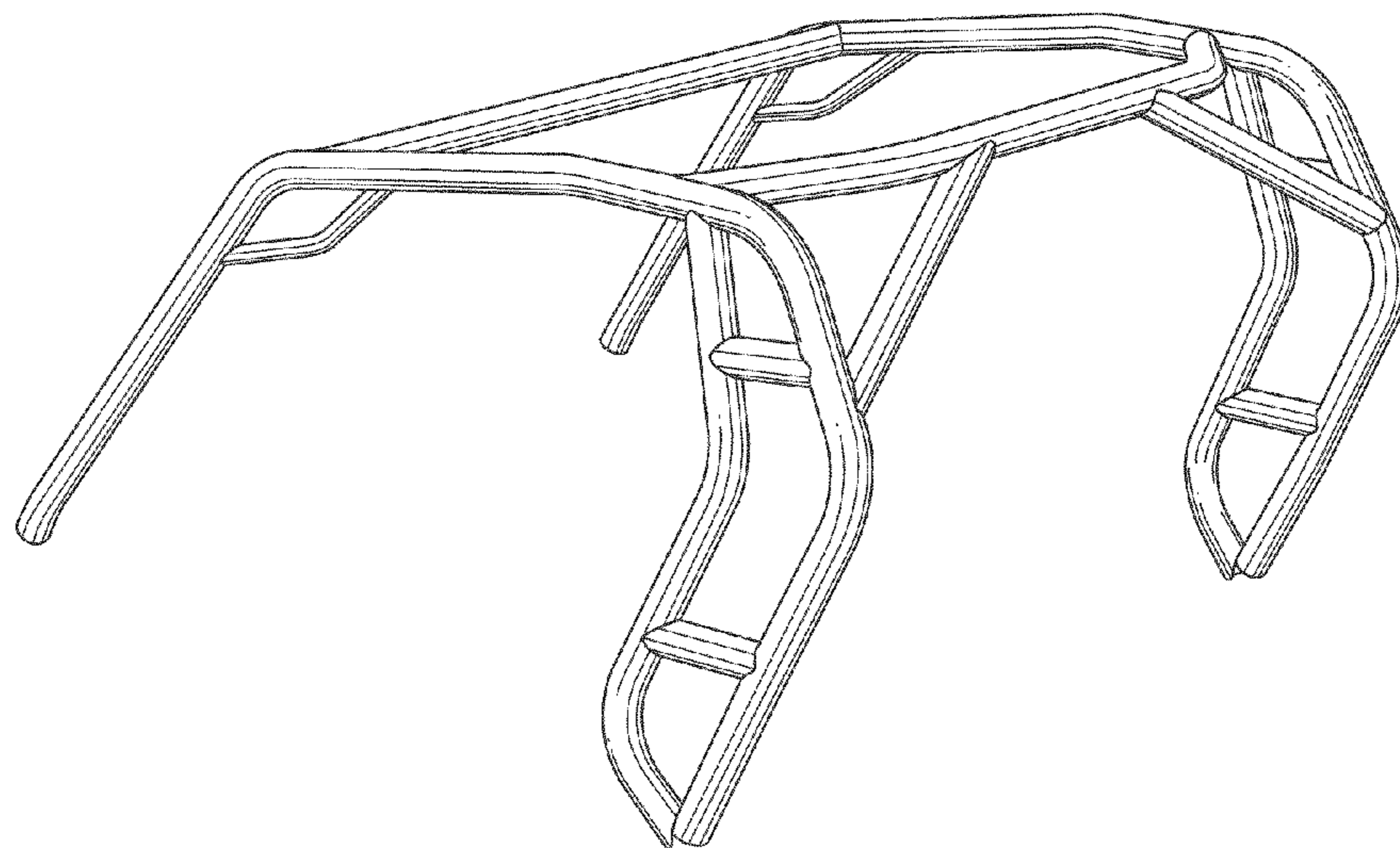


Fig.2

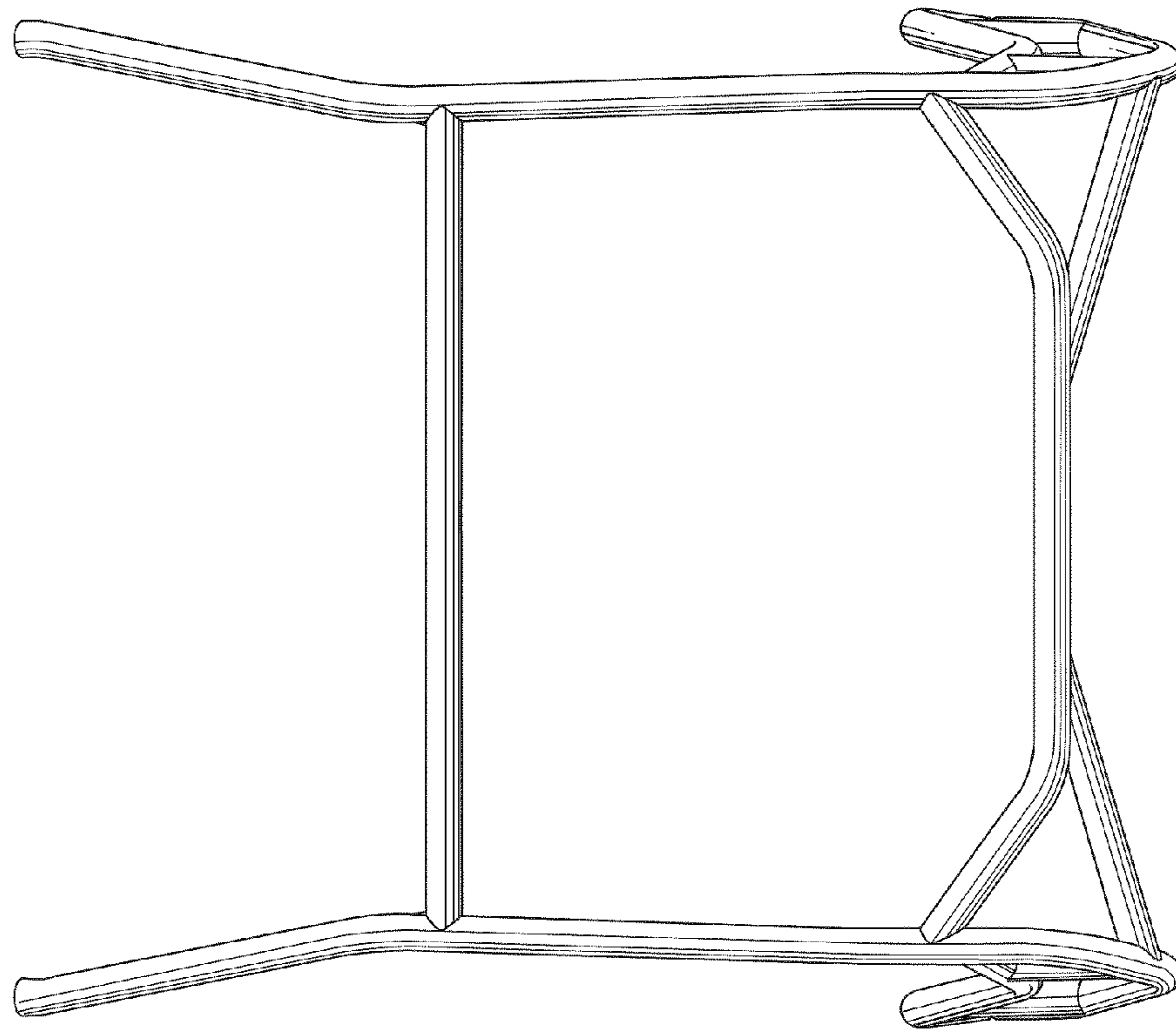


Fig.3

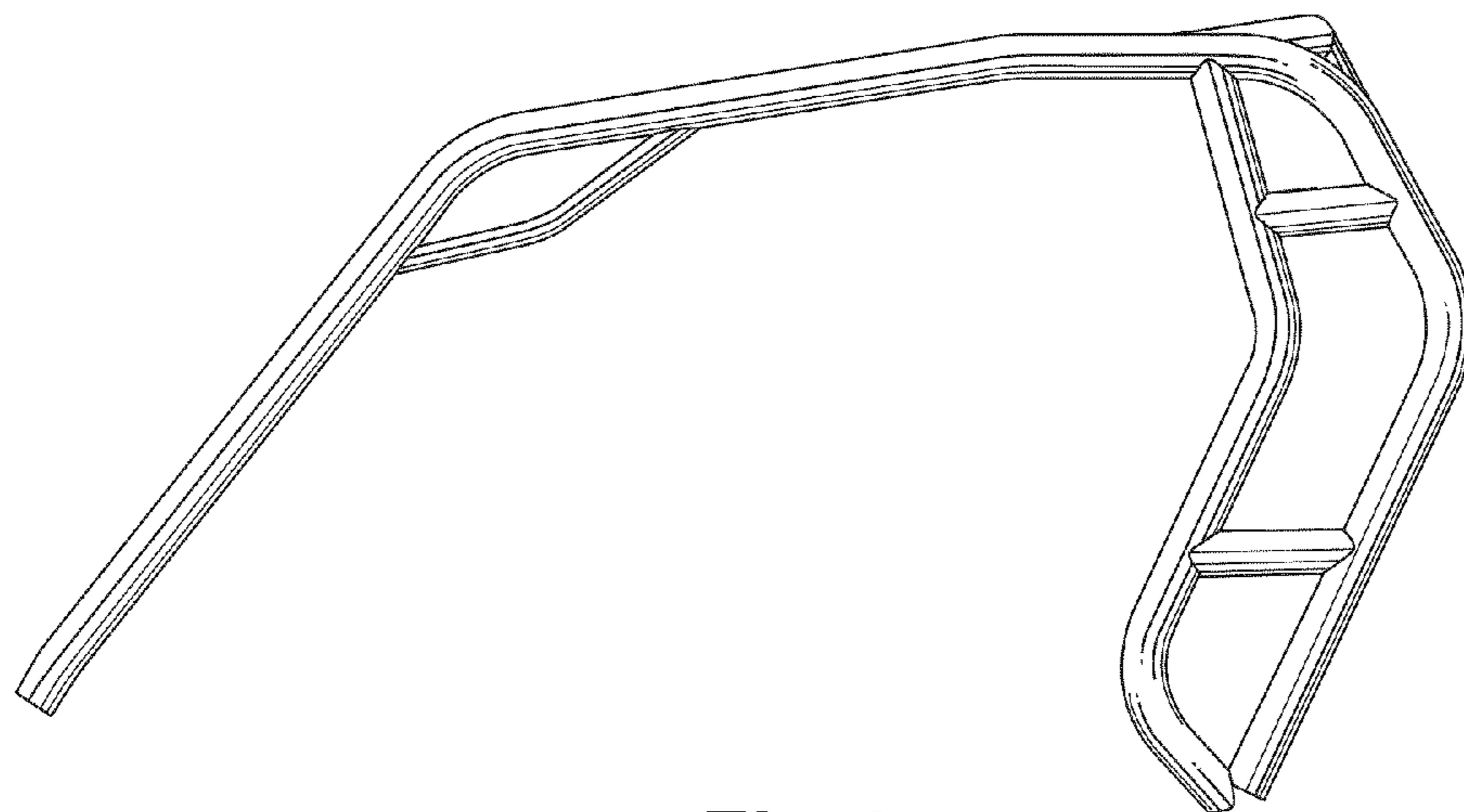


Fig.4

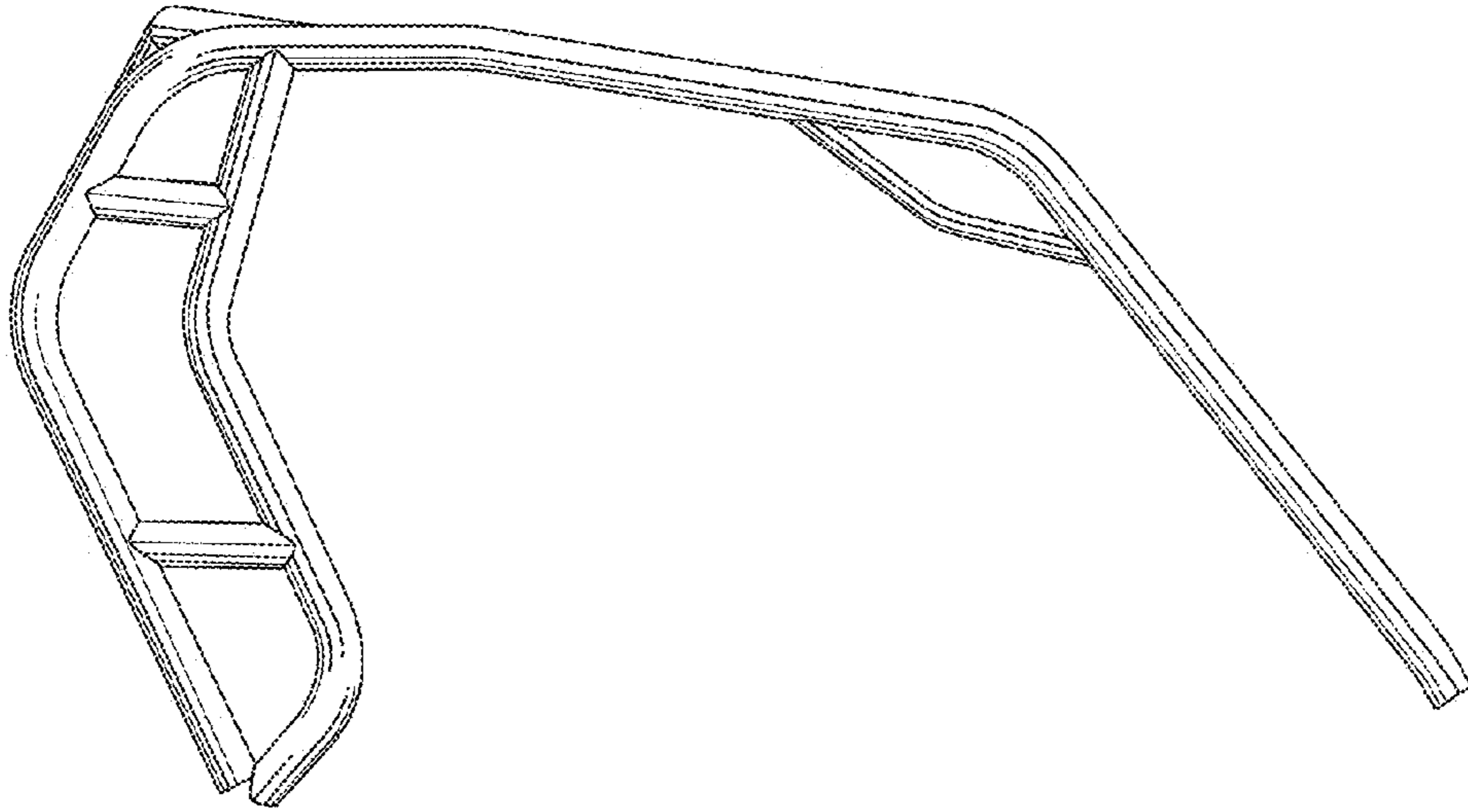


Fig.5

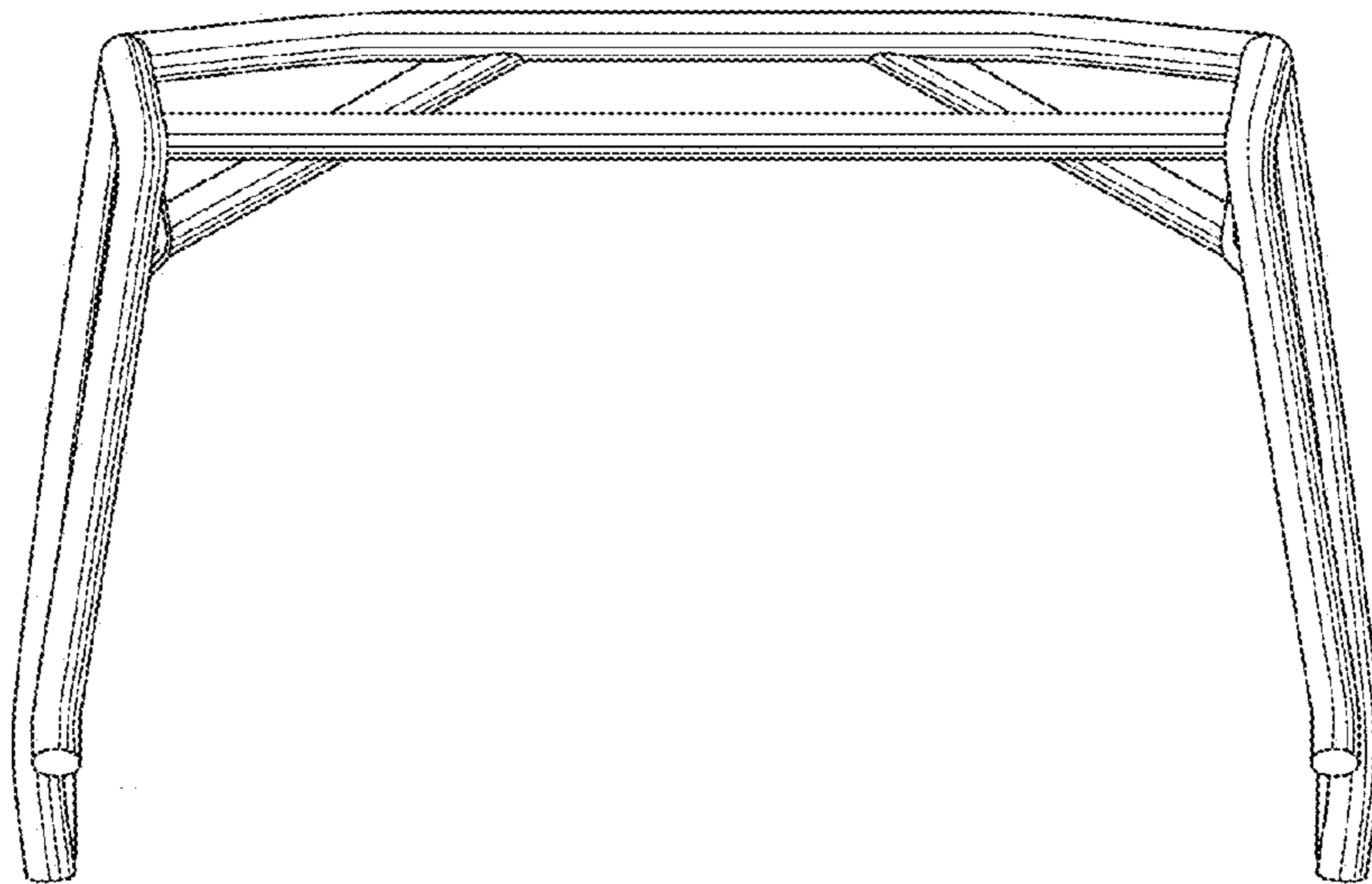


Fig.6

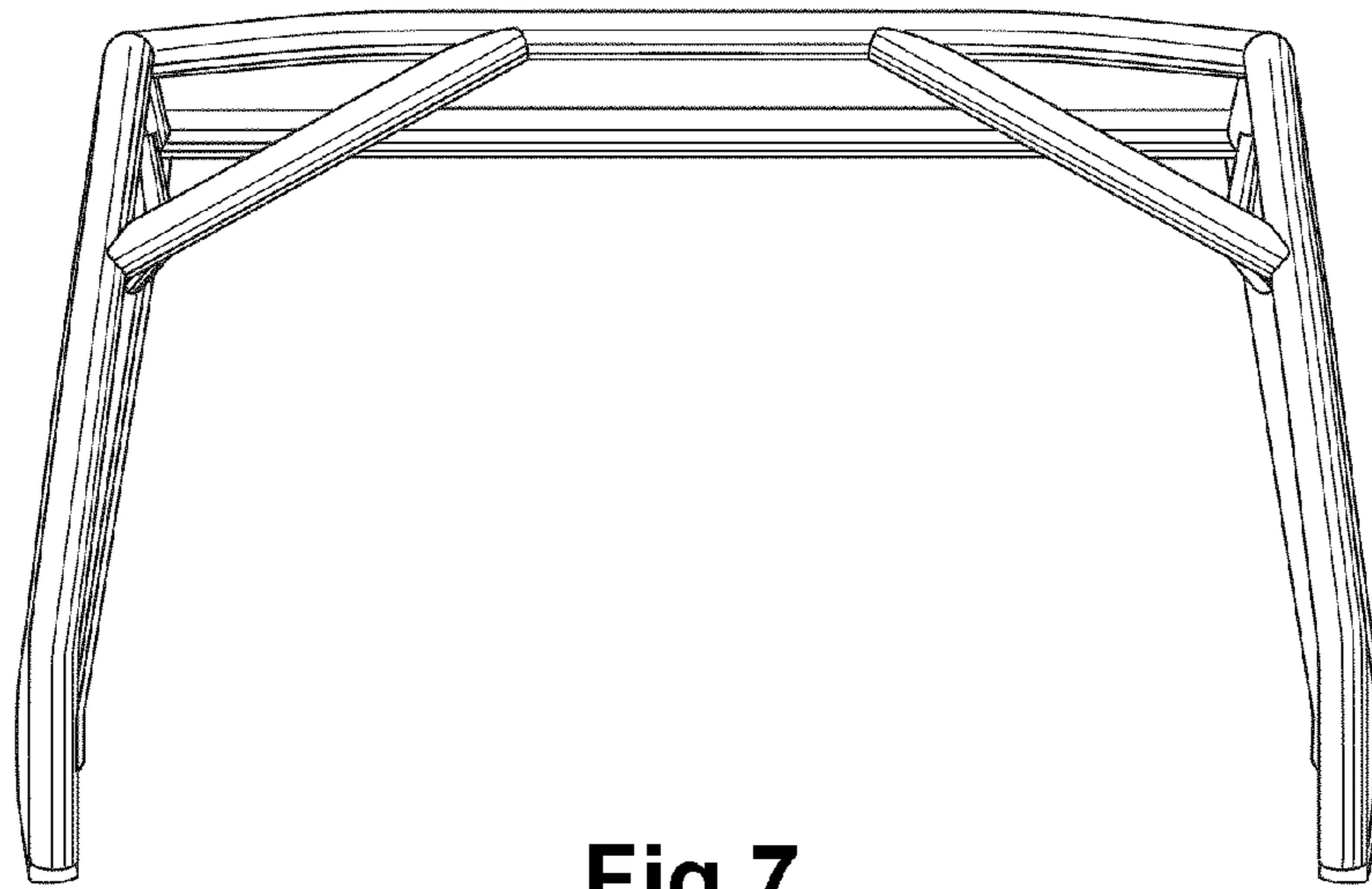


Fig.7

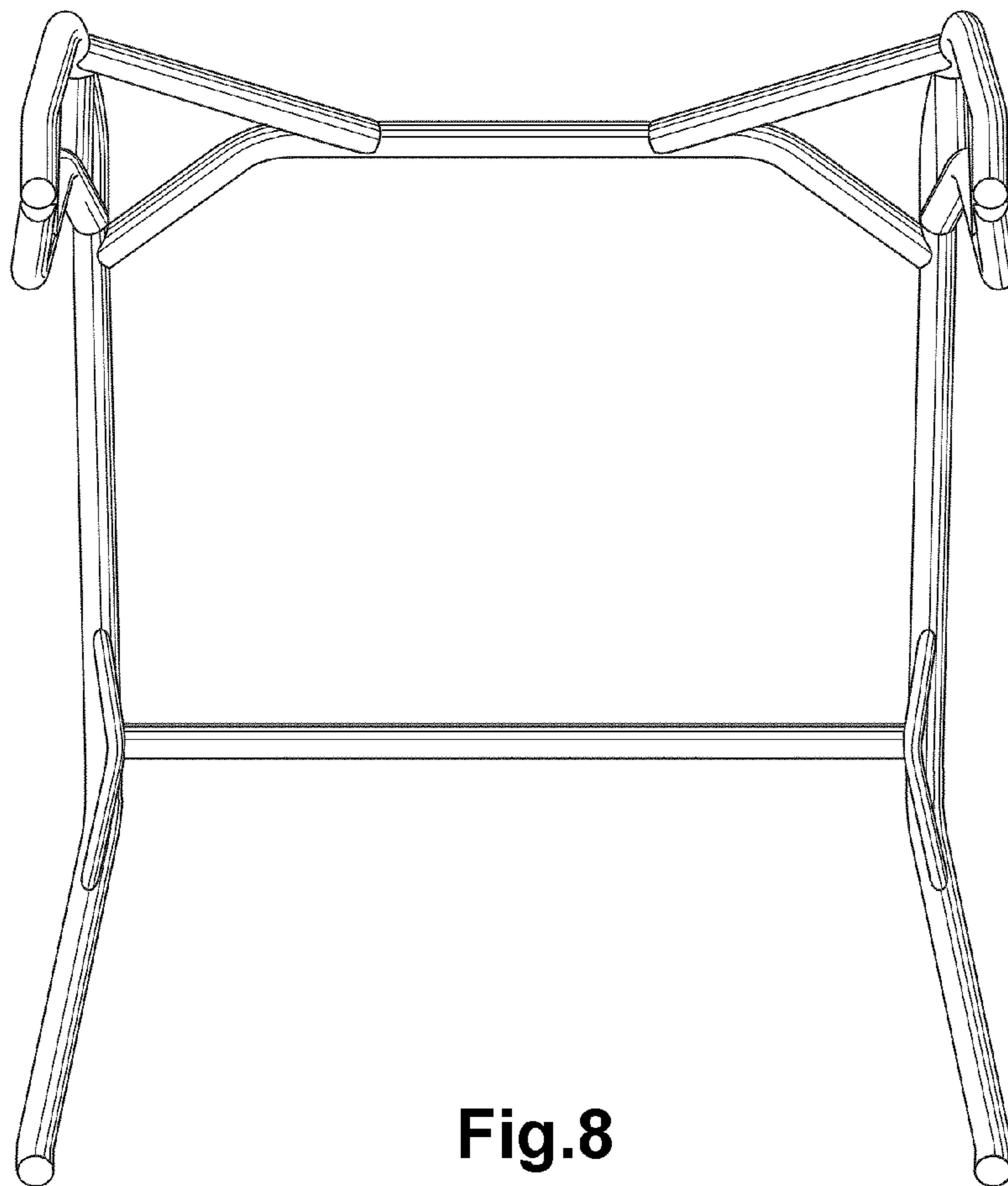


Fig.8

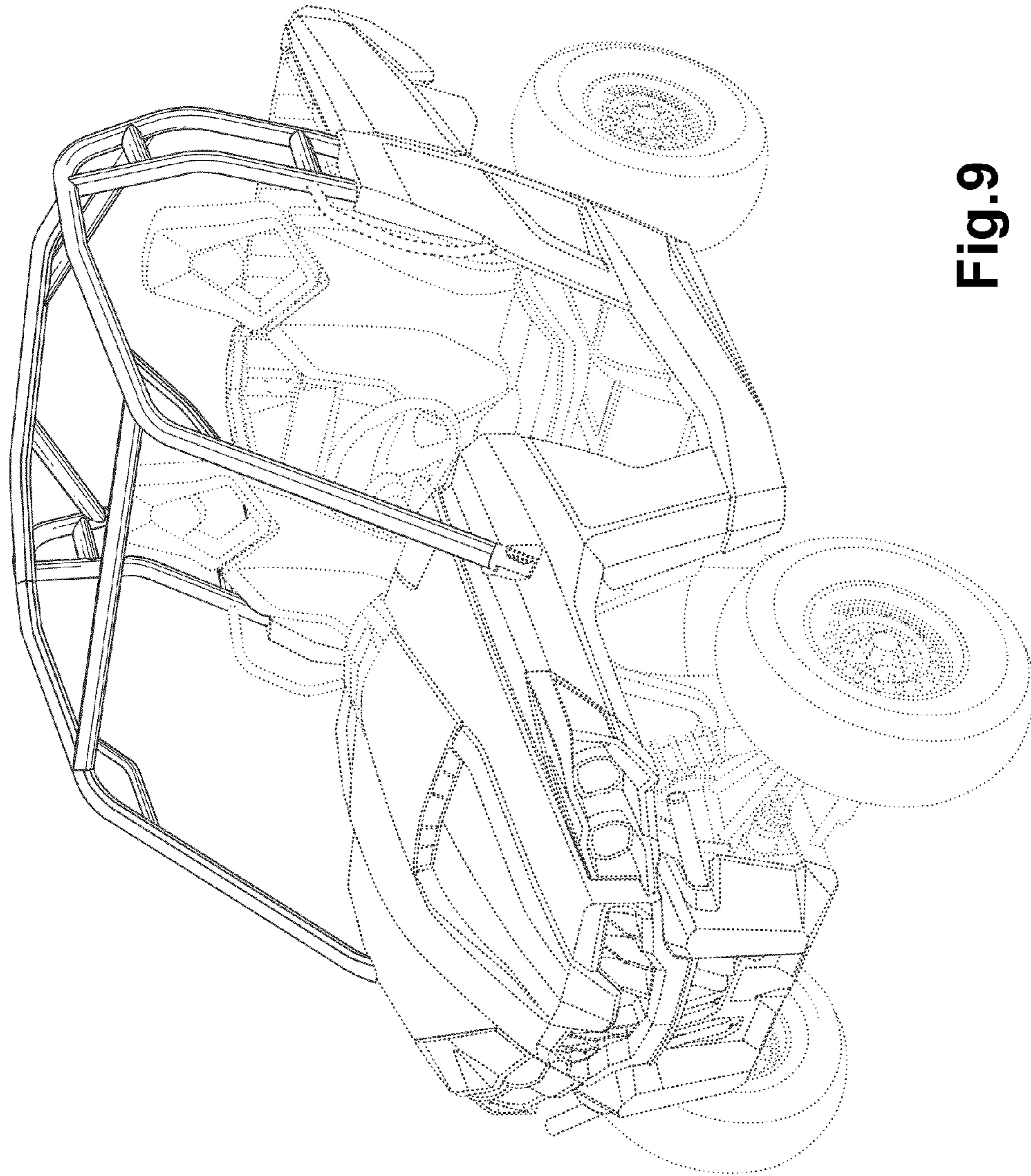


Fig. 9

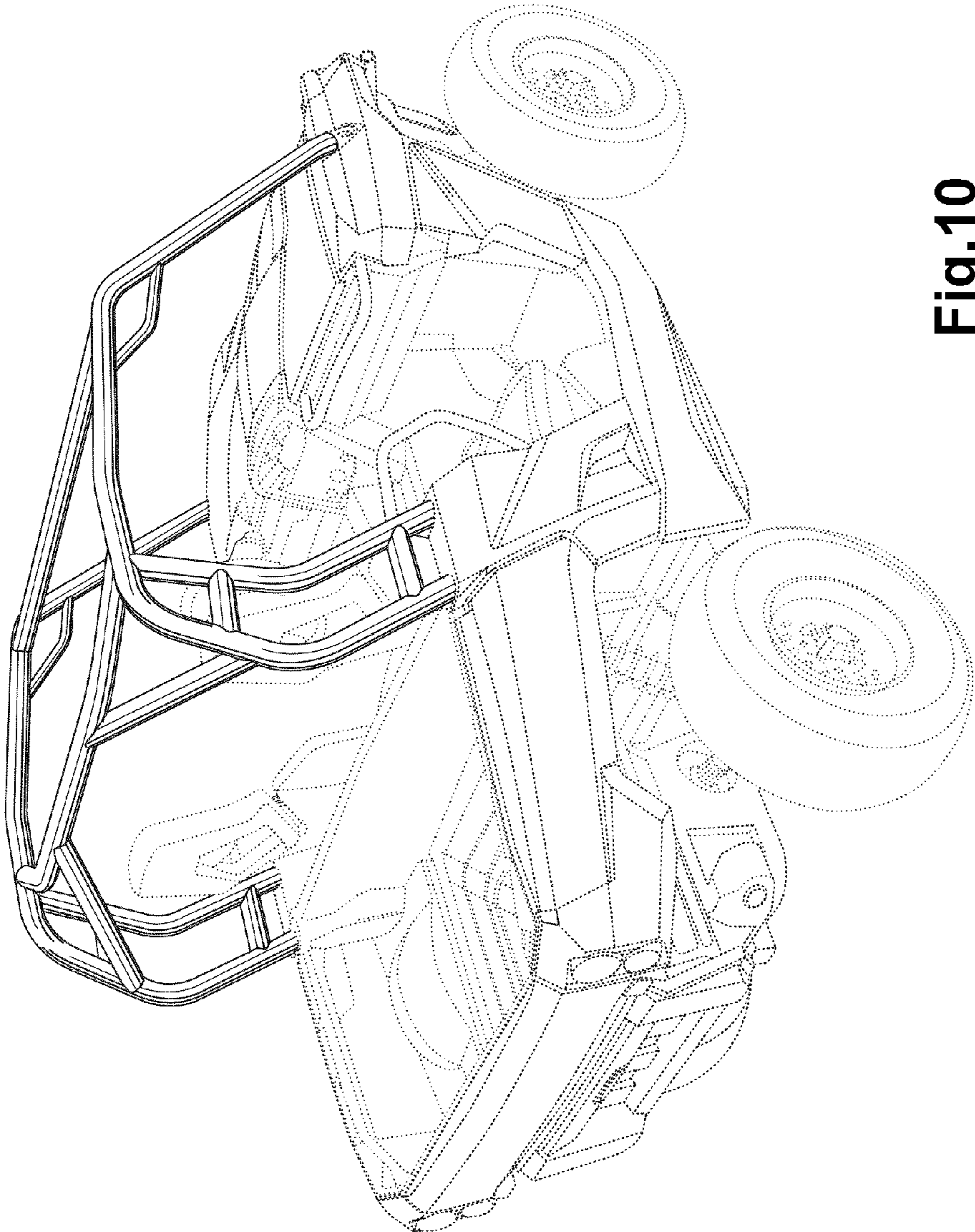


Fig.10