



US00D655233S

(12) **United States Design Patent**  
**Alfonso**

(10) **Patent No.:** **US D655,233 S**

(45) **Date of Patent:** **\*\* Mar. 6, 2012**

(54) **AUTOMOBILE WHEEL**

(75) Inventor: **Ernie R Alfonso**, Pomona, CA (US)

(73) Assignee: **Direct Wheel Inc.**, Pomona, CA (US)

(\*\*) Term: **14 Years**

(21) Appl. No.: **29/401,532**

(22) Filed: **Sep. 12, 2011**

(51) **LOC (9) Cl.** ..... **12-16**

(52) **U.S. Cl.** ..... **D12/211**

(58) **Field of Classification Search** ..... D12/204-213;  
301/37.101, 64.101, 65, 64.201

See application file for complete search history.

(56) **References Cited**

**U.S. PATENT DOCUMENTS**

D344,924 S *	3/1994	Braungart et al.	.....	D12/211
D451,467 S *	12/2001	Chung	.....	D12/211
D487,569 S *	3/2004	Laengerer	.....	D12/211
D529,854 S *	10/2006	Scheu	.....	D12/211
D532,356 S *	11/2006	Bernoni	.....	D12/211
D560,589 S *	1/2008	Celik	.....	D12/211

D583,291 S *	12/2008	Treadway	.....	D12/211
D590,320 S *	4/2009	Scheu	.....	D12/211
D617,253 S *	6/2010	Zhao	.....	D12/211
D623,116 S *	9/2010	Zhao	.....	D12/211
D626,489 S *	11/2010	Laengerer	.....	D12/211
D638,765 S *	5/2011	Yoon	.....	D12/211

\* cited by examiner

*Primary Examiner* — Stacia Cadmus

(74) *Attorney, Agent, or Firm* — Dariush G. Adli; Adli Law Group P.C.

(57) **CLAIM**

I claim the ornamental design for an automobile wheel, as shown and described.

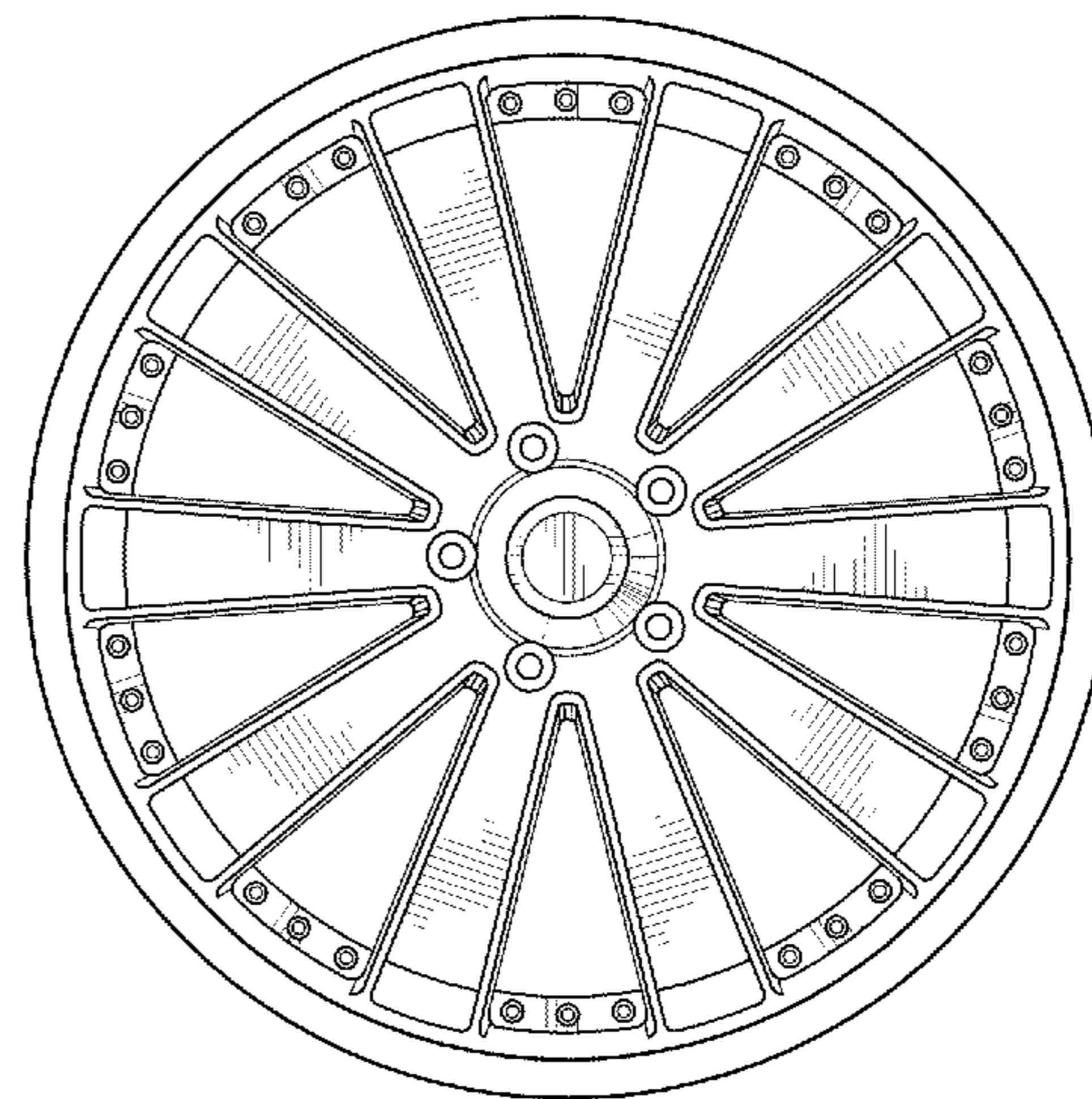
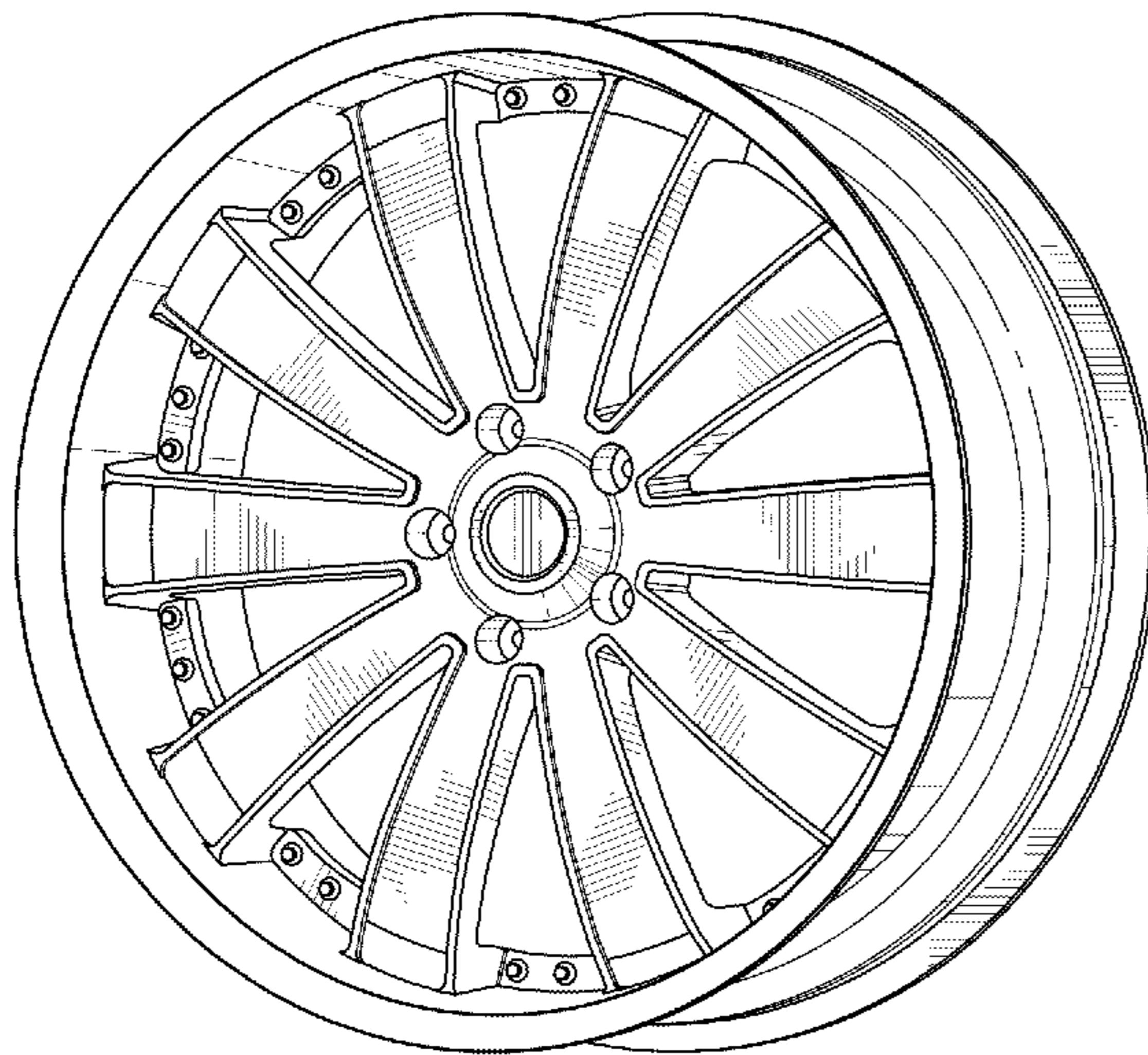
**DESCRIPTION**

FIG. 1 is a perspective view of an automobile wheel, showing my new design;

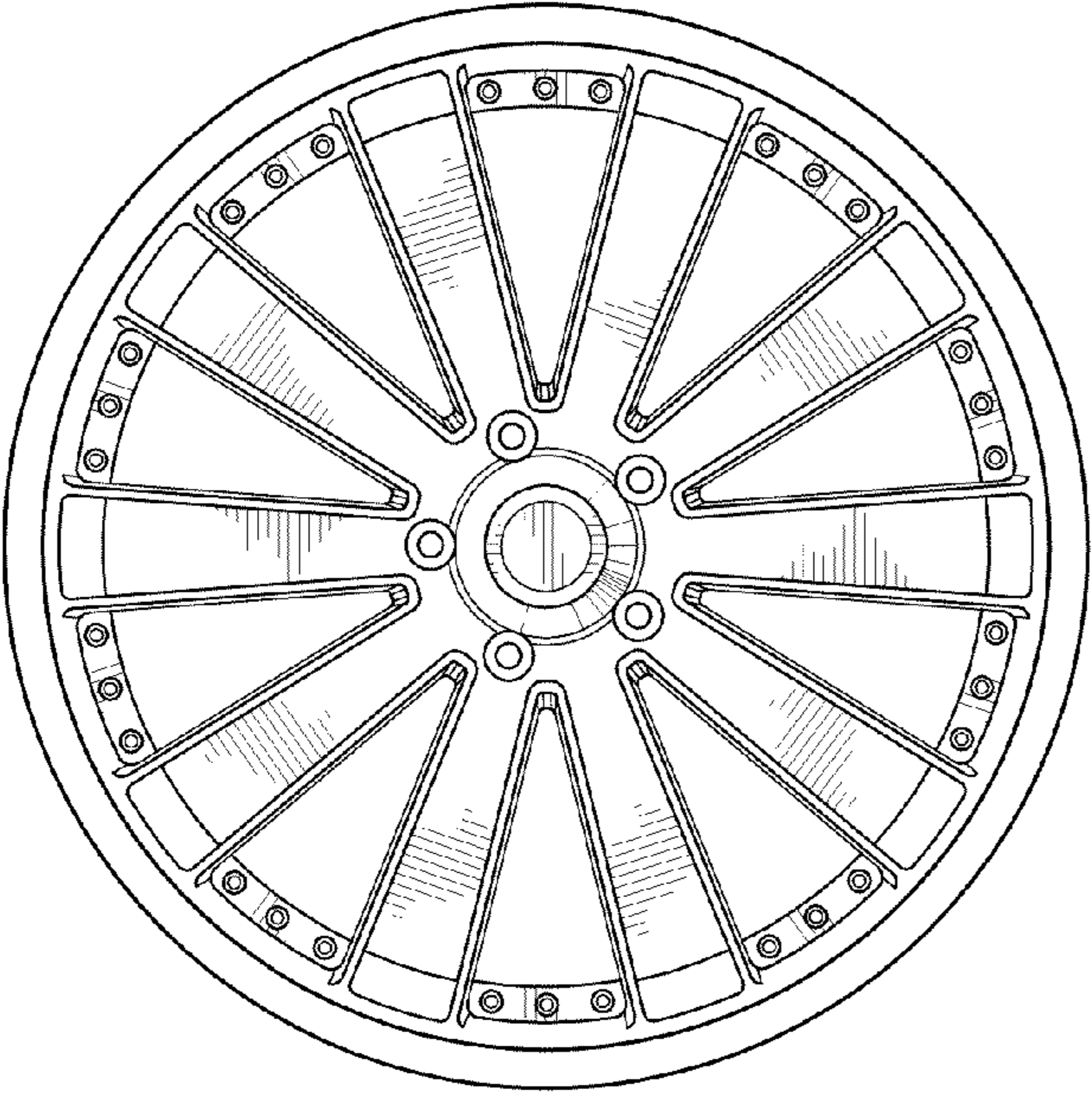
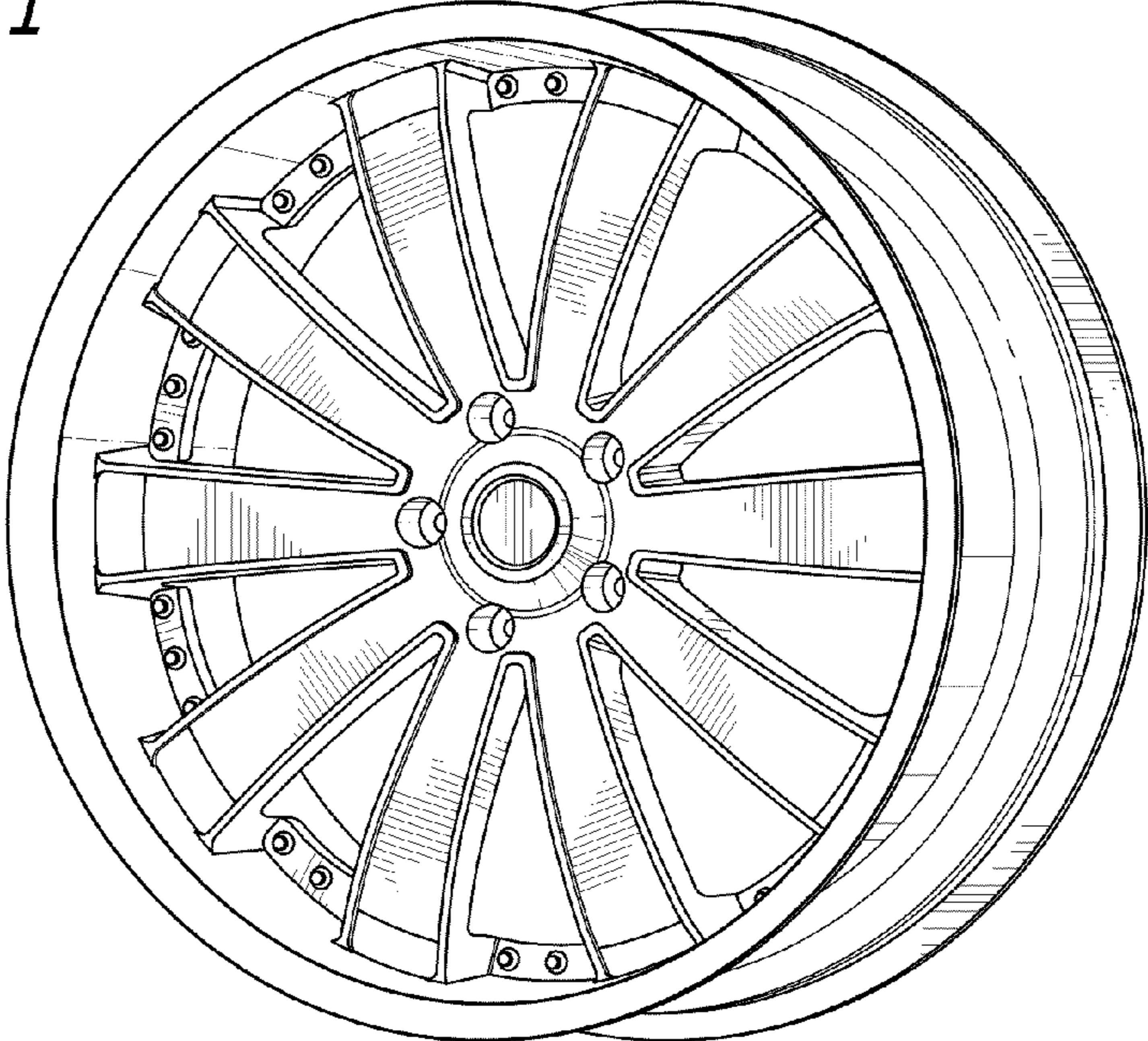
FIG. 2 is a front view thereof; and,

FIG. 3 is a side view thereof, it being understood that the opposite side, top and bottom views are mirror images thereof.

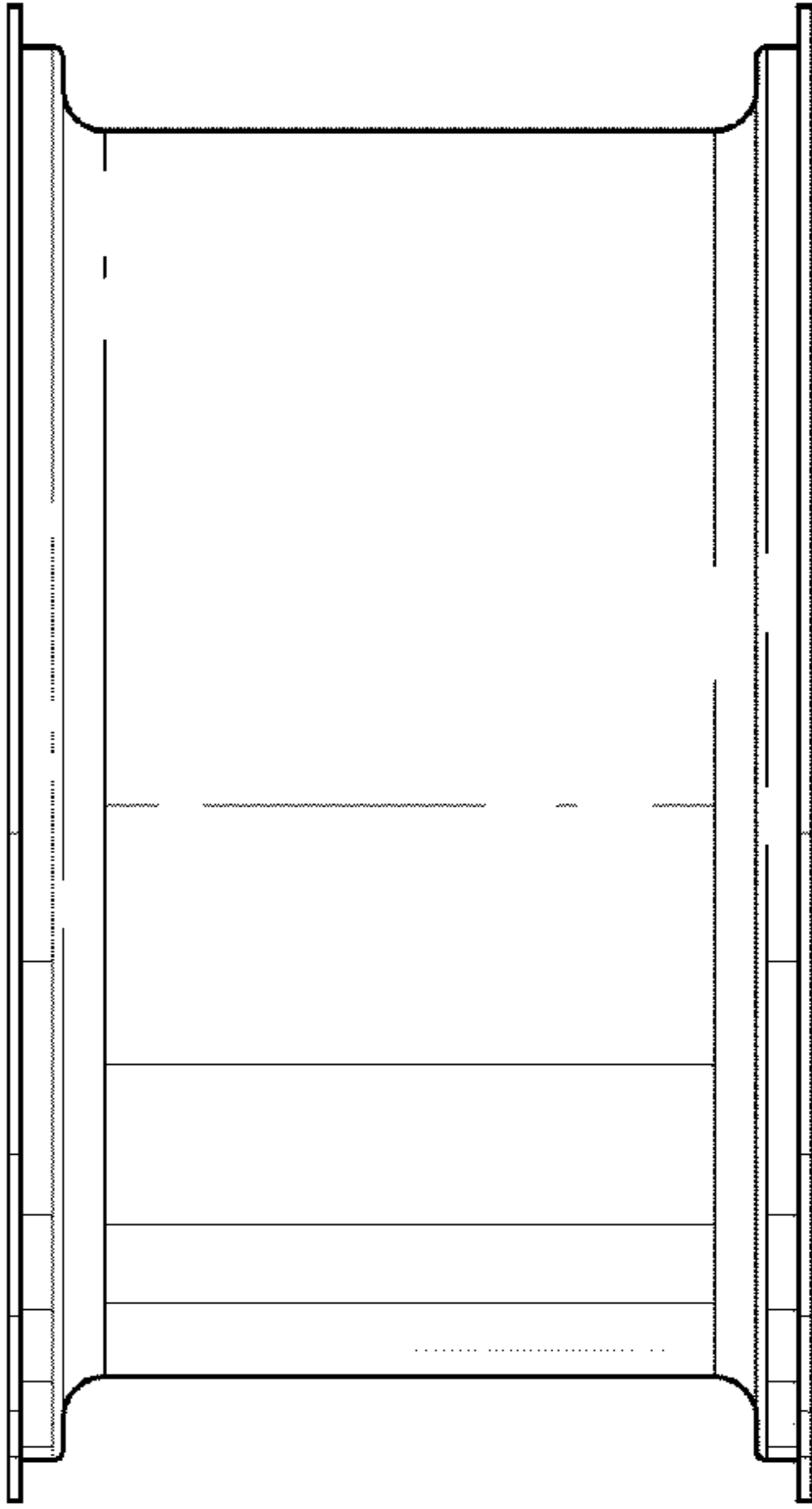
**1 Claim, 1 Drawing Sheet**



*FIG. 1*



*FIG. 2*



*FIG. 3*