



US00D655232S

(12) **United States Design Patent**
Zhao

(10) **Patent No.:** **US D655,232 S**

(45) **Date of Patent:** **** Mar. 6, 2012**

(54) **AUTOMOBILE WHEEL**

(75) Inventor: **John Zhao**, Monterey Park, CA (US)

(73) Assignee: **Wah Hung International Machinery Inc.**, Monterey Park

(**) Term: **14 Years**

(21) Appl. No.: **29/402,718**

(22) Filed: **Sep. 26, 2011**

(51) **LOC (9) Cl.** **12-16**

(52) **U.S. Cl.** **D12/209**

(58) **Field of Classification Search** D12/204-213;
301/37.101, 64.101, 65, 64.201

See application file for complete search history.

(56) **References Cited**

U.S. PATENT DOCUMENTS

D479,173 S *	9/2003	McMath	D12/209
D528,960 S *	9/2006	Kim	D12/211
D530,254 S *	10/2006	Kim	D12/209
D575,715 S *	8/2008	Nissl	D12/209
D597,918 S *	8/2009	Juergens et al.	D12/209

D615,916 S *	5/2010	Leone	D12/211
D618,153 S *	6/2010	Zhao	D12/209
D627,698 S *	11/2010	Zhang	D12/209
D636,319 S *	4/2011	Toth	D12/211
D638,764 S *	5/2011	Groom	D12/209
D639,717 S *	6/2011	Chung	D12/211

* cited by examiner

Primary Examiner — Stacia Cadmus

(74) *Attorney, Agent, or Firm* — Dariush G. Adli; Adli Law Group P.C.

(57) **CLAIM**

The ornamental design for an automobile wheel, as shown and described.

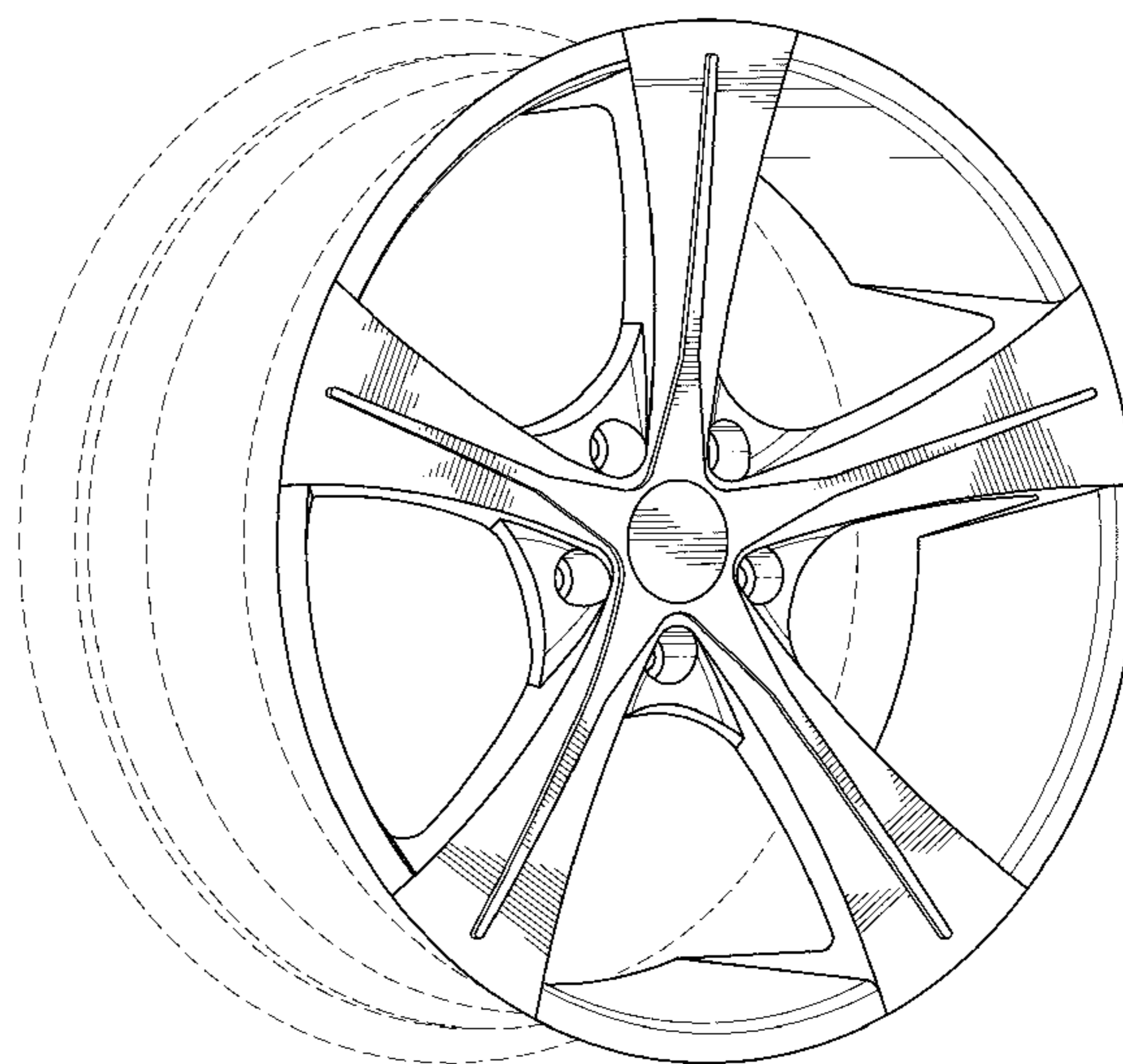
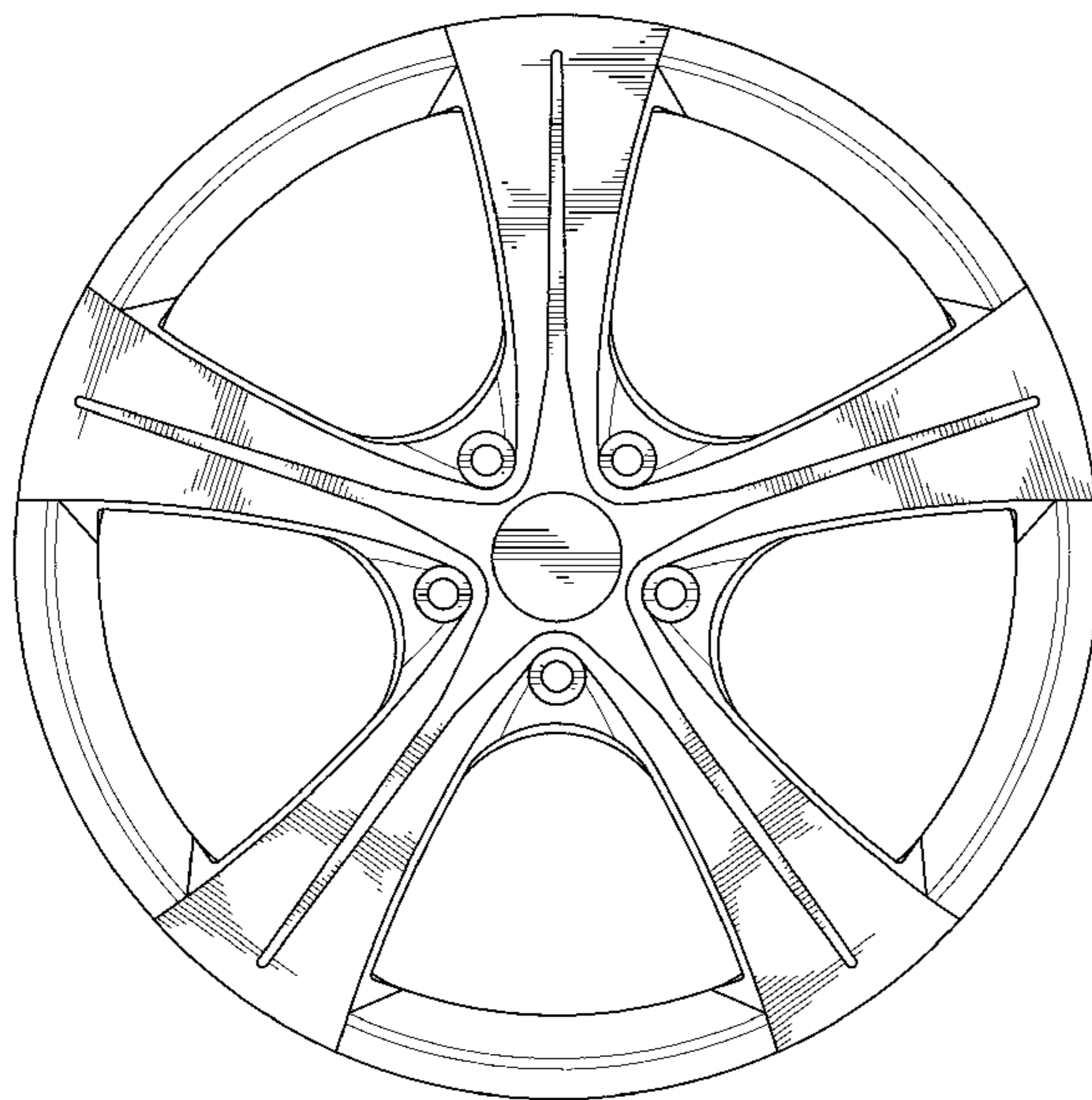
DESCRIPTION

FIG. 1 is a front elevational view of an automobile wheel, showing my new design; and,

FIG. 2 is perspective view thereof.

The broken line showing of the rear of the rim is included for the purpose of illustrating environment and forms no part of the claimed design.

1 Claim, 2 Drawing Sheets



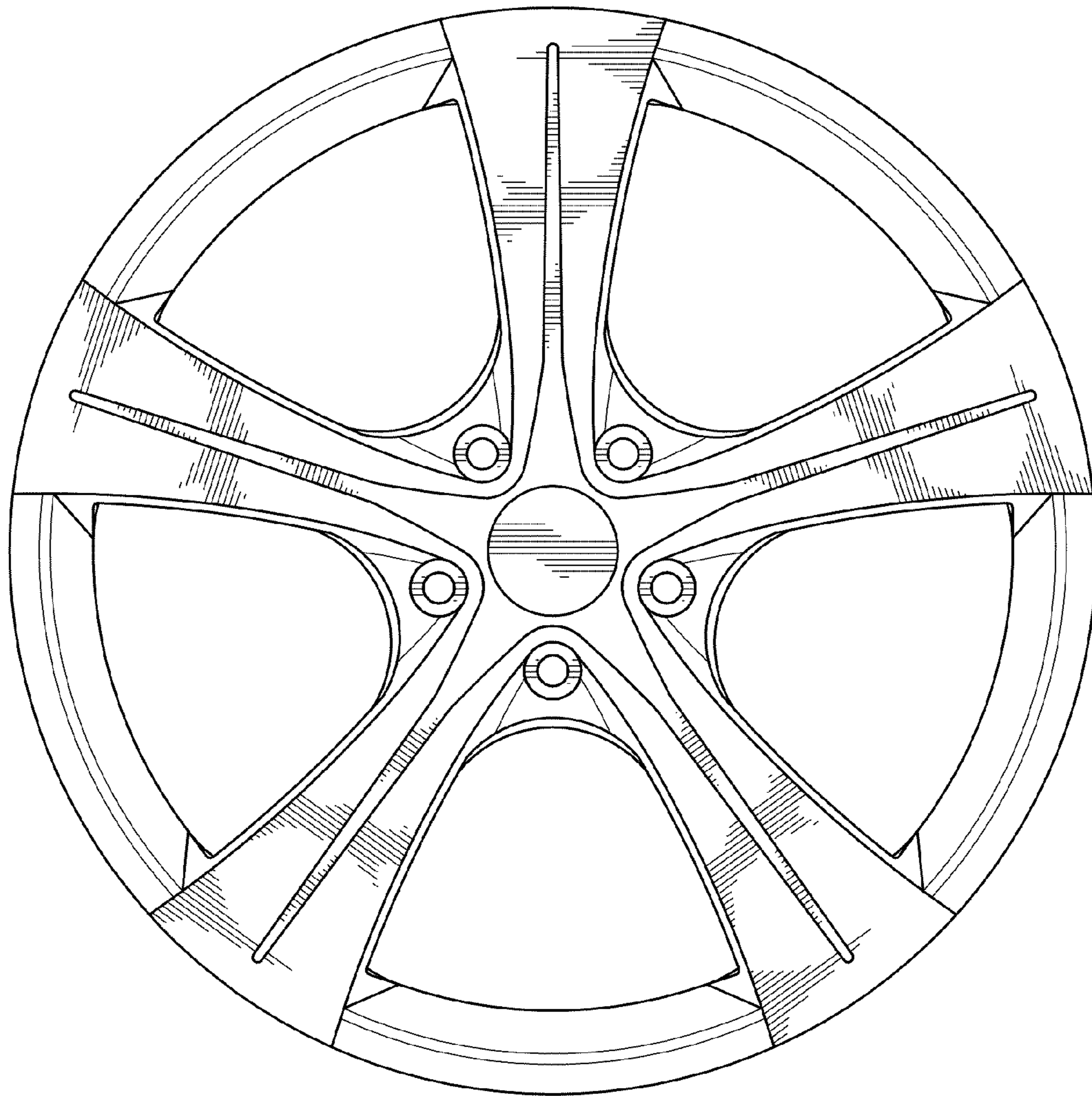


FIG. 1

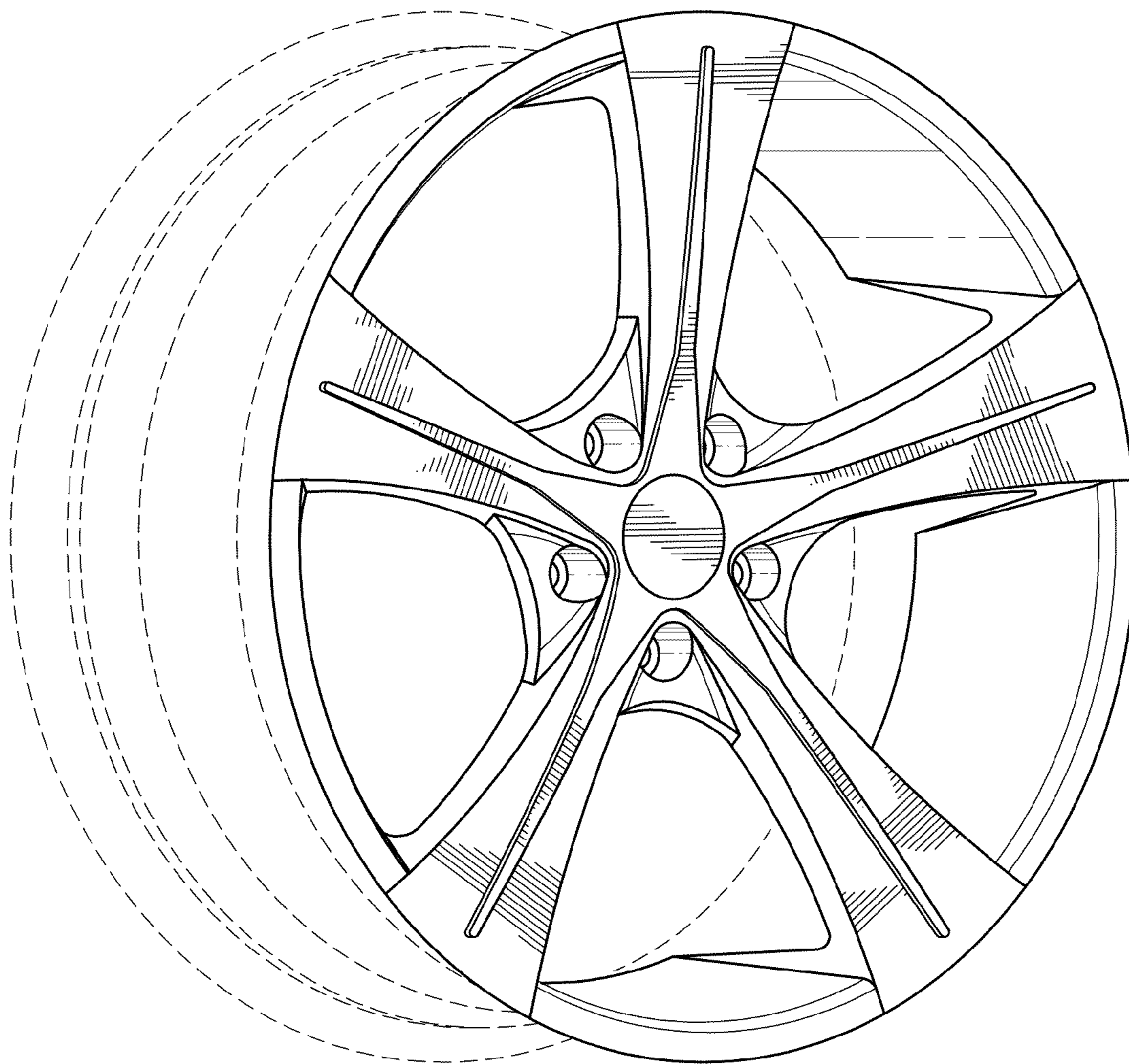


FIG. 2