



US00D655231S

(12) **United States Design Patent**
Zhao

(10) **Patent No.:** **US D655,231 S**
(45) **Date of Patent:** **** Mar. 6, 2012**

(54) **AUTOMOBILE WHEEL**

(75) Inventor: **John Zhao**, Monterey Park, CA (US)

(73) Assignee: **Wah Hung International Machinery Inc.**, Monterey Park, CA (US)

(**) Term: **14 Years**

(21) Appl. No.: **29/402,714**

(22) Filed: **Sep. 26, 2011**

(51) **LOC (9) Cl.** **12-16**

(52) **U.S. Cl.** **D12/209**

(58) **Field of Classification Search** D12/204-213;
301/37.101, 64.101, 65, 64.201

See application file for complete search history.

(56) **References Cited**

U.S. PATENT DOCUMENTS

D456,332 S *	4/2002	Vian	D12/211
D552,524 S *	10/2007	Tirado	D12/209
D576,095 S *	9/2008	Chung	D12/211
D593,021 S *	5/2009	Chung	D12/211
D596,099 S *	7/2009	Chung	D12/209
D617,251 S *	6/2010	Zhao	D12/211

D618,155 S *	6/2010	Zhao	D12/211
D620,419 S *	7/2010	Lamm et al.	D12/209
D620,425 S *	7/2010	Zhao	D12/211
D623,116 S *	9/2010	Zhao	D12/211
D625,244 S *	10/2010	Zhao	D12/211
D633,840 S *	3/2011	Johnson	D12/209
D637,947 S *	5/2011	Zhao	D12/211

* cited by examiner

Primary Examiner — Stacia Cadmus

(74) *Attorney, Agent, or Firm* — Dariush G. Adli; Adli Law Group P.C.

(57) **CLAIM**

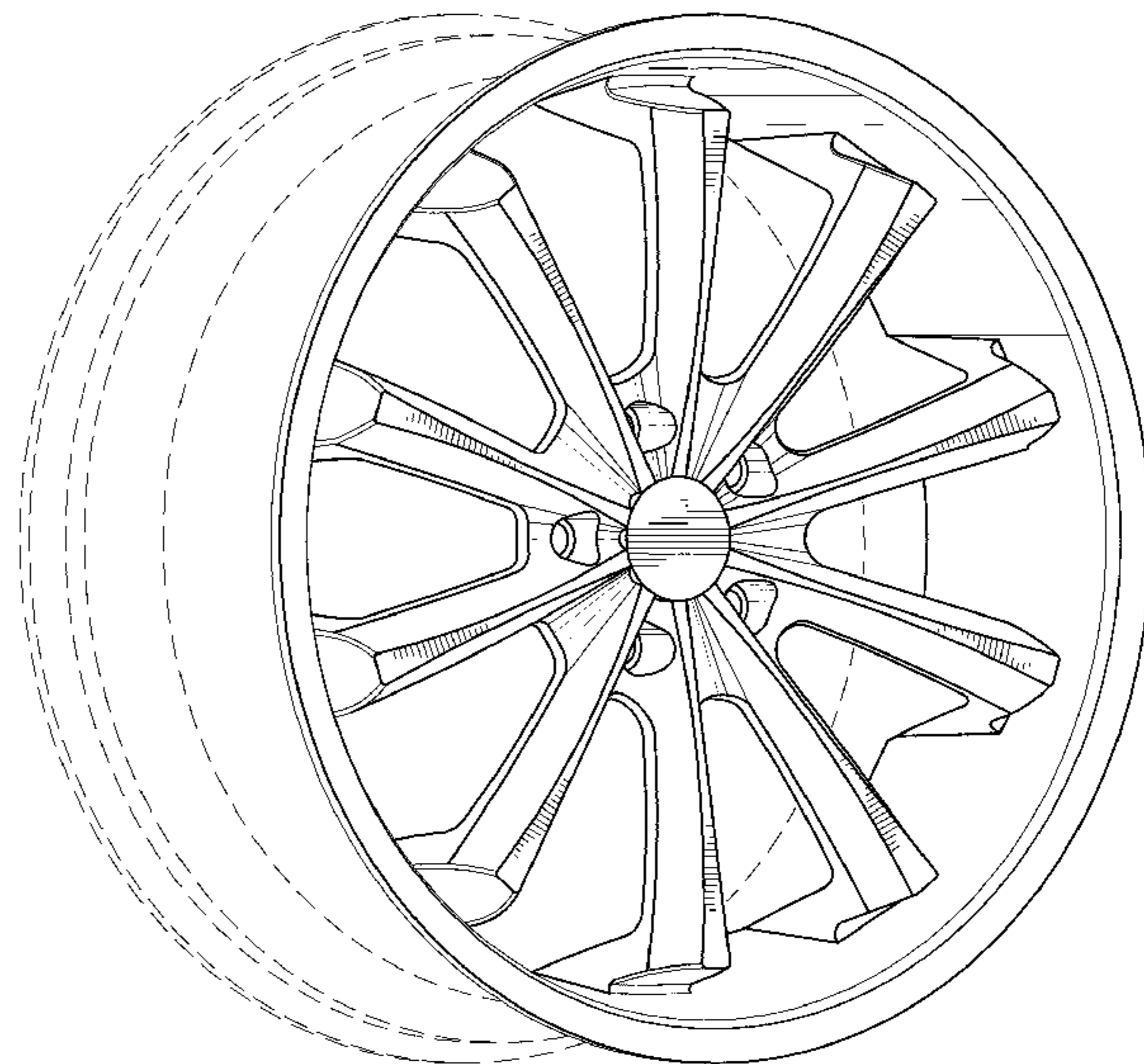
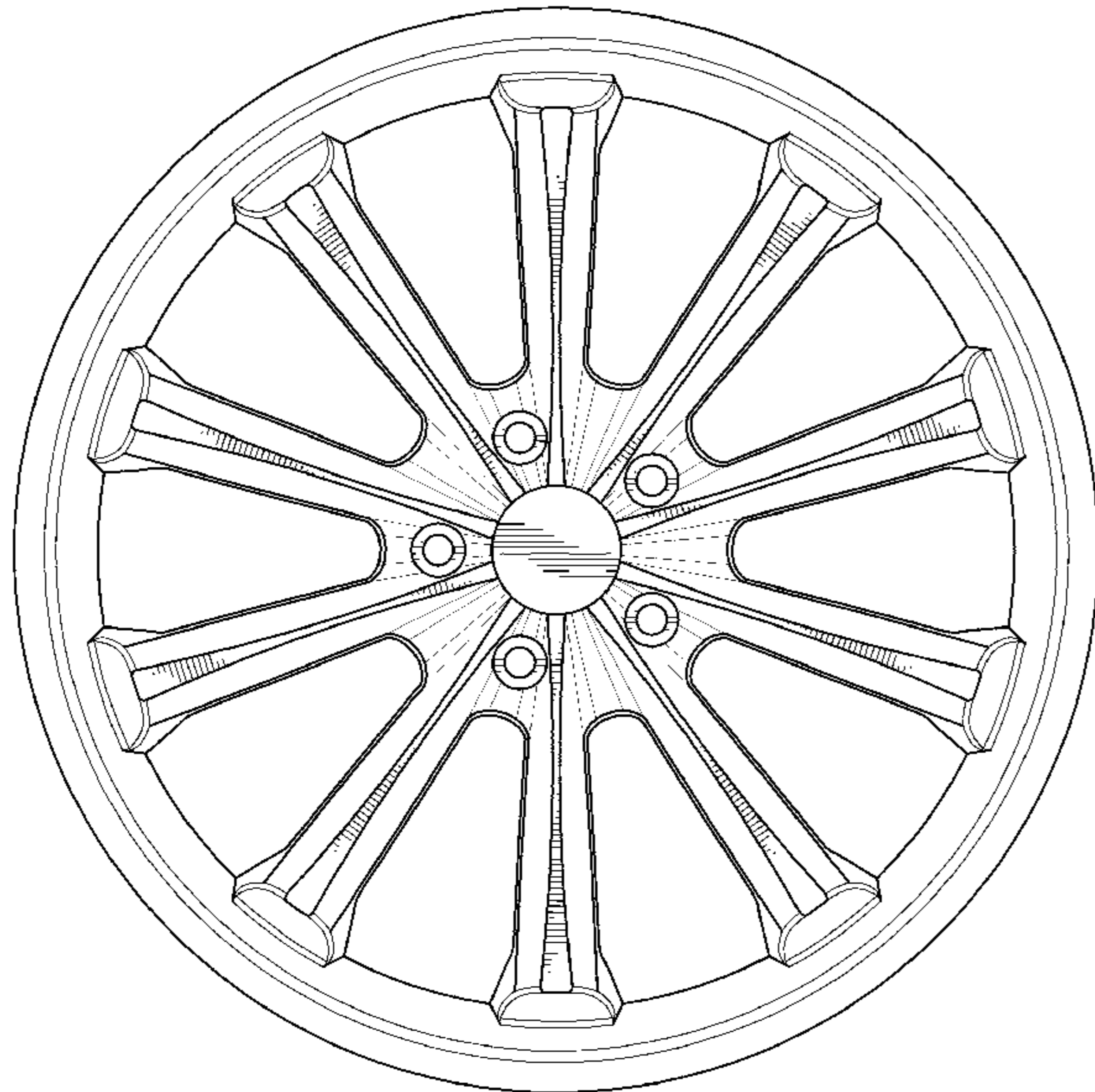
The ornamental design for an automobile wheel, as shown and described.

DESCRIPTION

FIG. 1 is a front elevational view of an automobile wheel, showing my new design; and, FIG. 2 is perspective view thereof.

The broken line showing of the rear of the rim is included for the purpose of illustrating environment and forms no part of the claimed design.

1 Claim, 2 Drawing Sheets



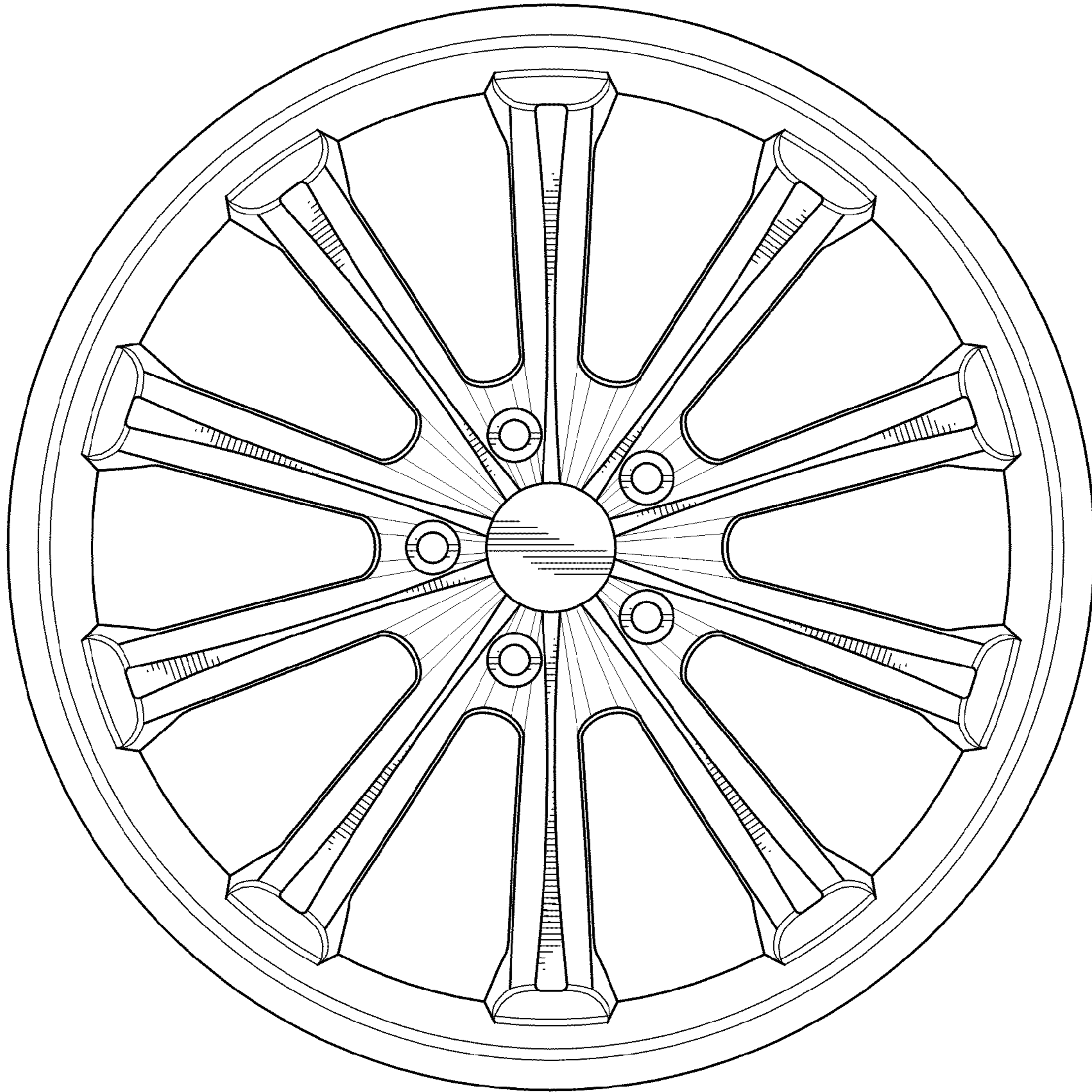


FIG. 1

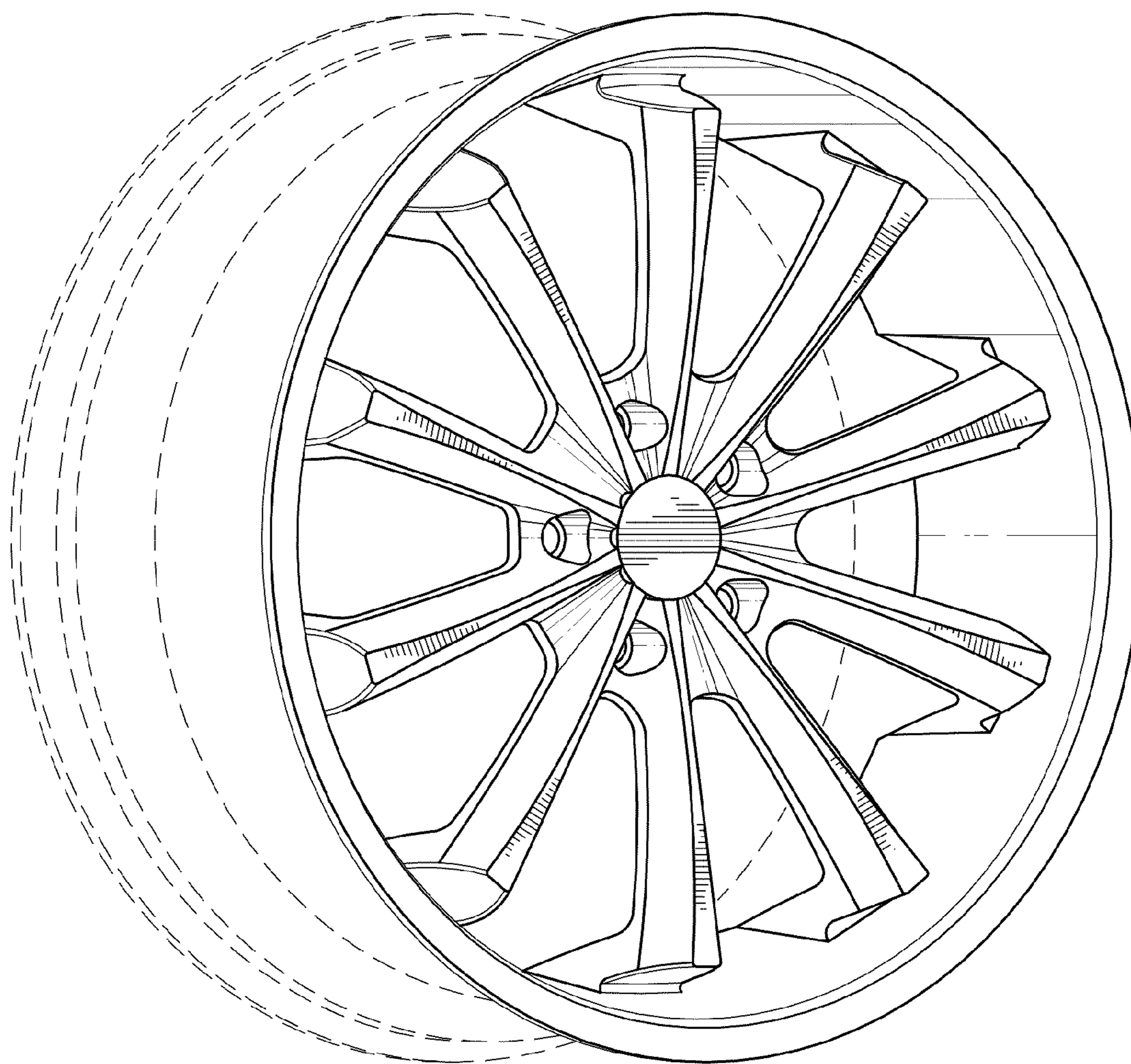


FIG. 2