



US00D655224S

(12) **United States Design Patent**
Hamada et al.

(10) **Patent No.:** **US D655,224 S**
(45) **Date of Patent:** **** Mar. 6, 2012**

(54) **SLIDER FOR SLIDE FASTENER**
(75) Inventors: **Yoshikazu Hamada**, Toyama-ken (JP);
Yohei Miyazaki, Toyama-ken (JP)

D403,987 S * 1/1999 Minato D11/221
D498,434 S * 11/2004 Iwase D11/221
D510,298 S * 10/2005 Hamada et al. D11/221
D511,315 S * 11/2005 Hamada et al. D11/221

(73) Assignee: **YKK Corporation** (JP)

FOREIGN PATENT DOCUMENTS

(**) Term: **14 Years**

JP 831351 3/1992

* cited by examiner

(21) Appl. No.: **29/398,019**

Primary Examiner — Ralf Seifert

(22) Filed: **Jul. 25, 2011**

(74) *Attorney, Agent, or Firm* — Kilpatrick Townsend & Stockton LLP

(30) **Foreign Application Priority Data**

(57) **CLAIM**

Jan. 26, 2011 (JP) D2011-001595

The ornamental design for a slider for slide fastener, as shown and described.

(51) **LOC (9) Cl.** **02-07**

(52) **U.S. Cl.** **D11/221**

(58) **Field of Classification Search** D11/200,
D11/201, 221; 24/381–383, 385–387, 414–417,
24/421–422, 427–431, 433; 2/265
See application file for complete search history.

DESCRIPTION

FIG. 1 is a perspective view of the top, front and left side of a slider for slide fastener showing my (our) new design;
FIG. 2 is a front view thereof;
FIG. 3 is a rear view thereof;
FIG. 4 is a top plan view thereof;
FIG. 5 is a bottom view thereof; and,
FIG. 6 is a right side view thereof, the left side view being mirror image thereof.

(56) **References Cited**

U.S. PATENT DOCUMENTS

D304,023 S * 10/1989 Minami D11/221
D366,012 S * 1/1996 Aoki D11/221
D366,230 S * 1/1996 Aoki D11/221

1 Claim, 4 Drawing Sheets

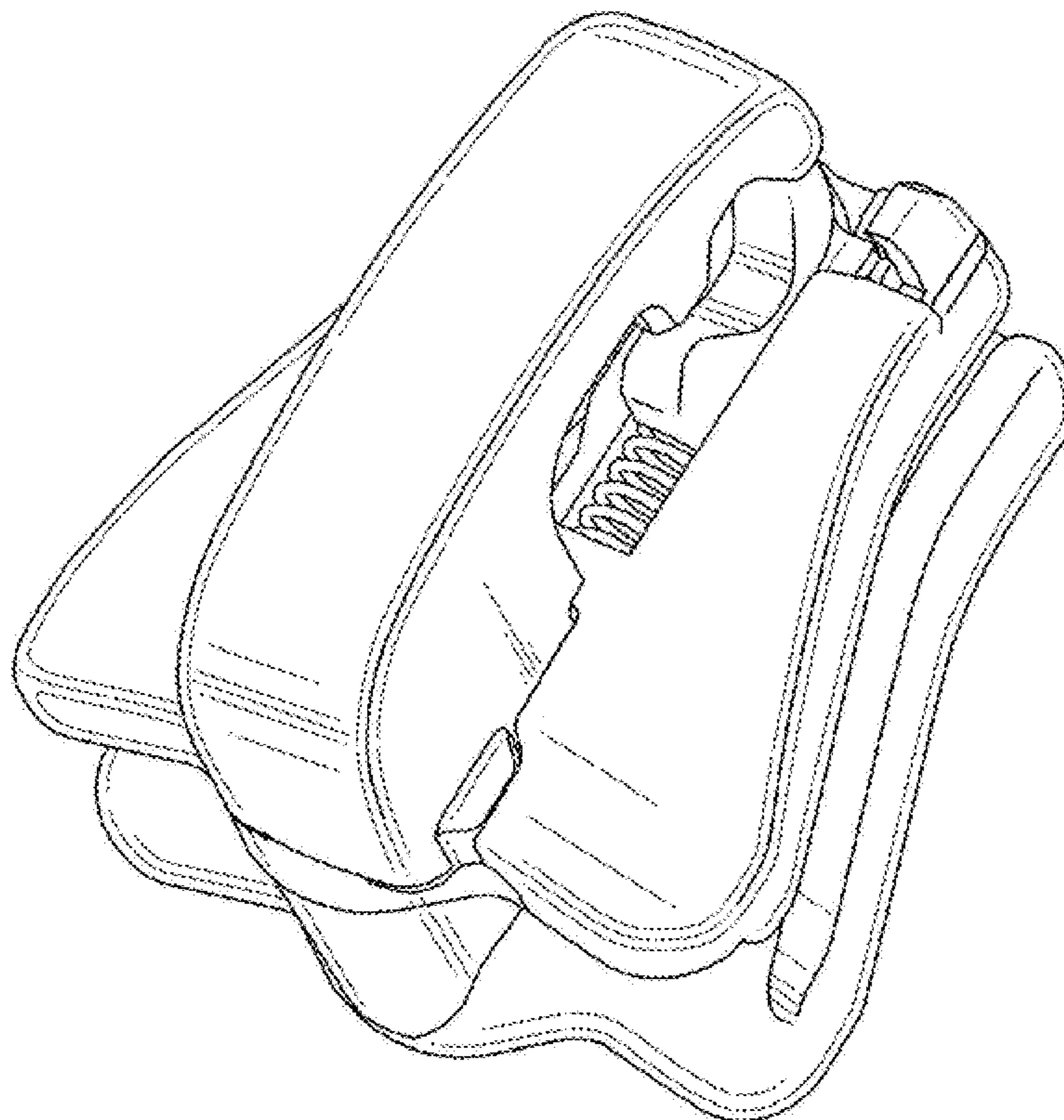


Fig. 1

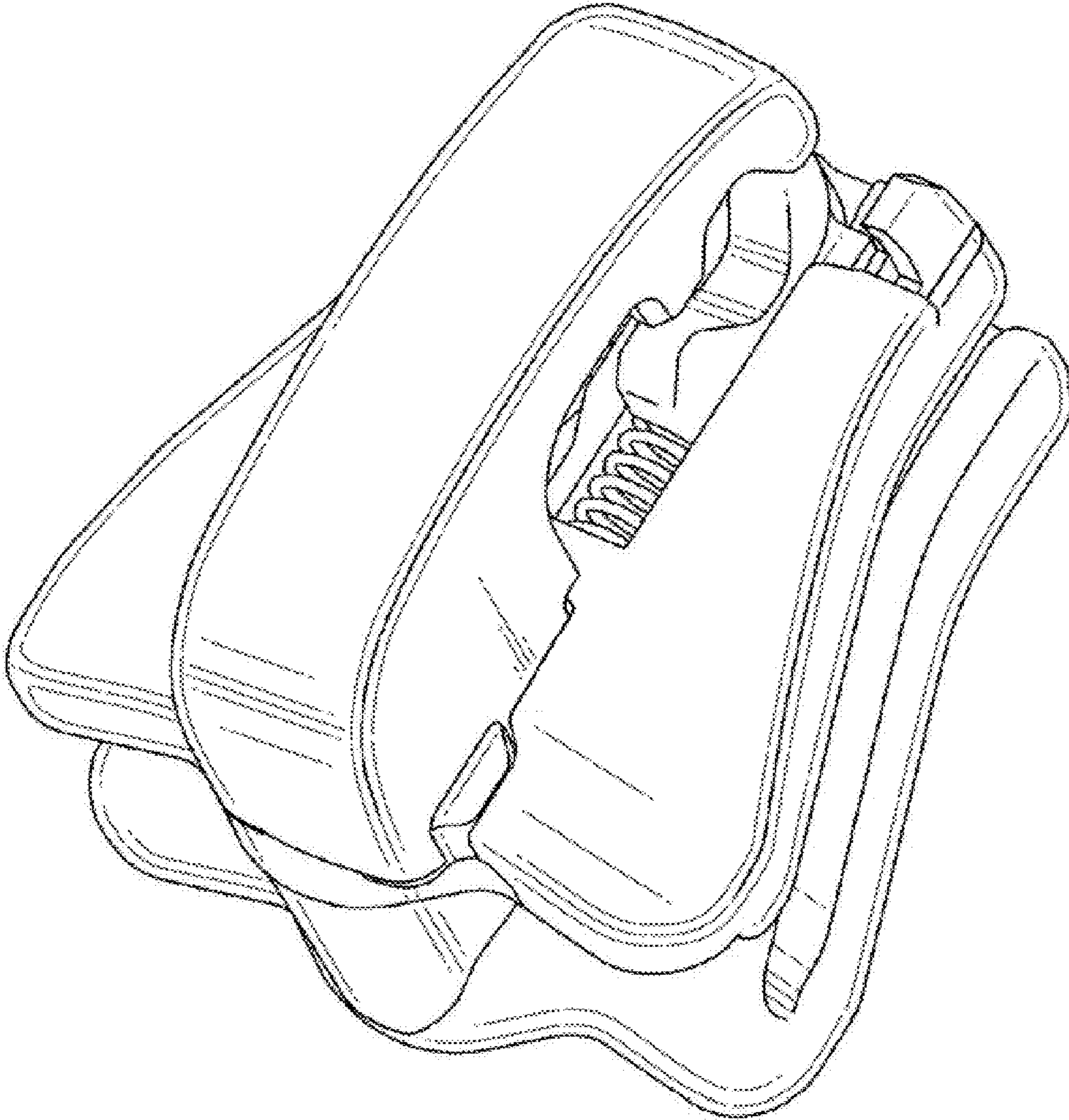


Fig. 2

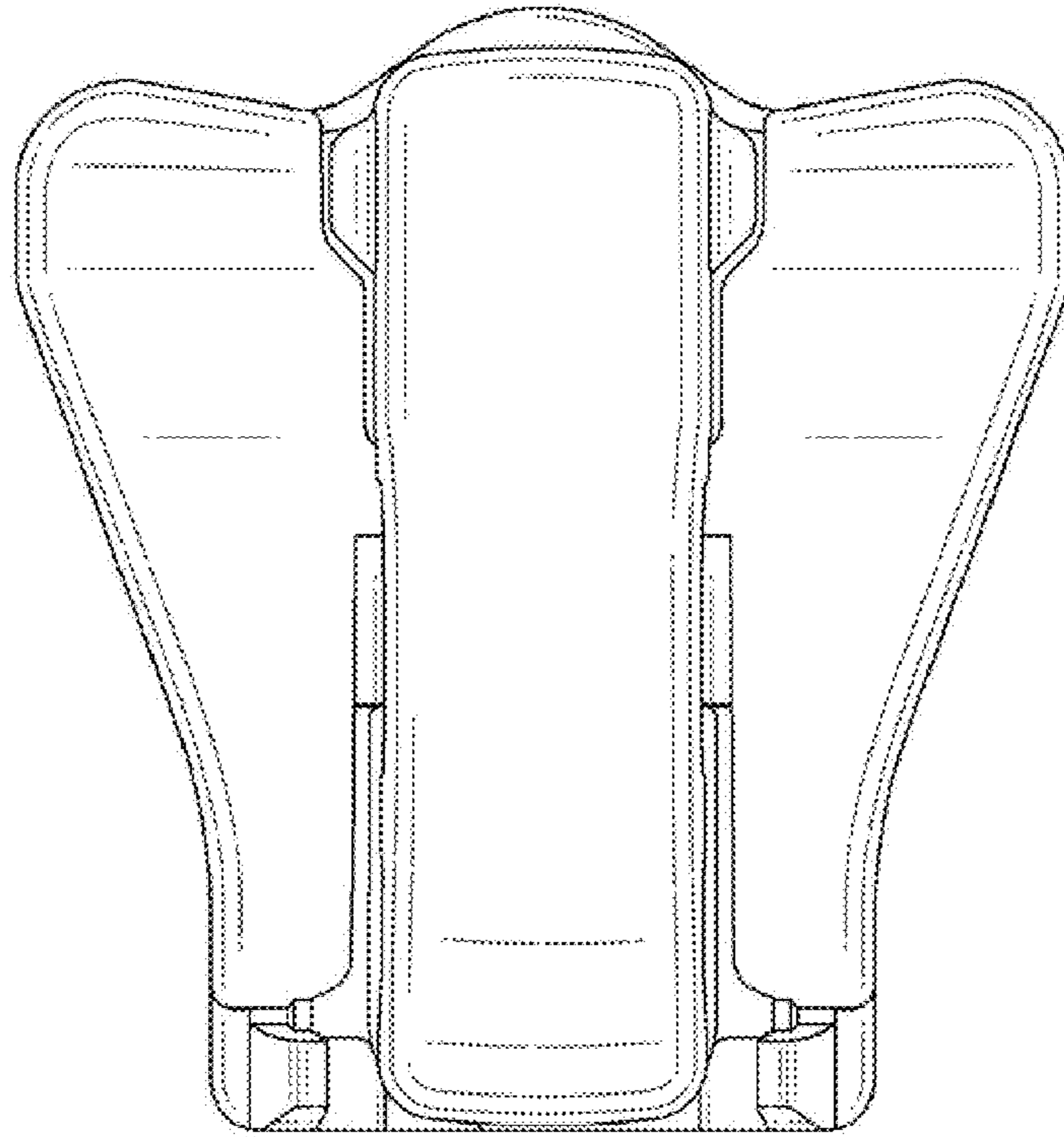


Fig. 3

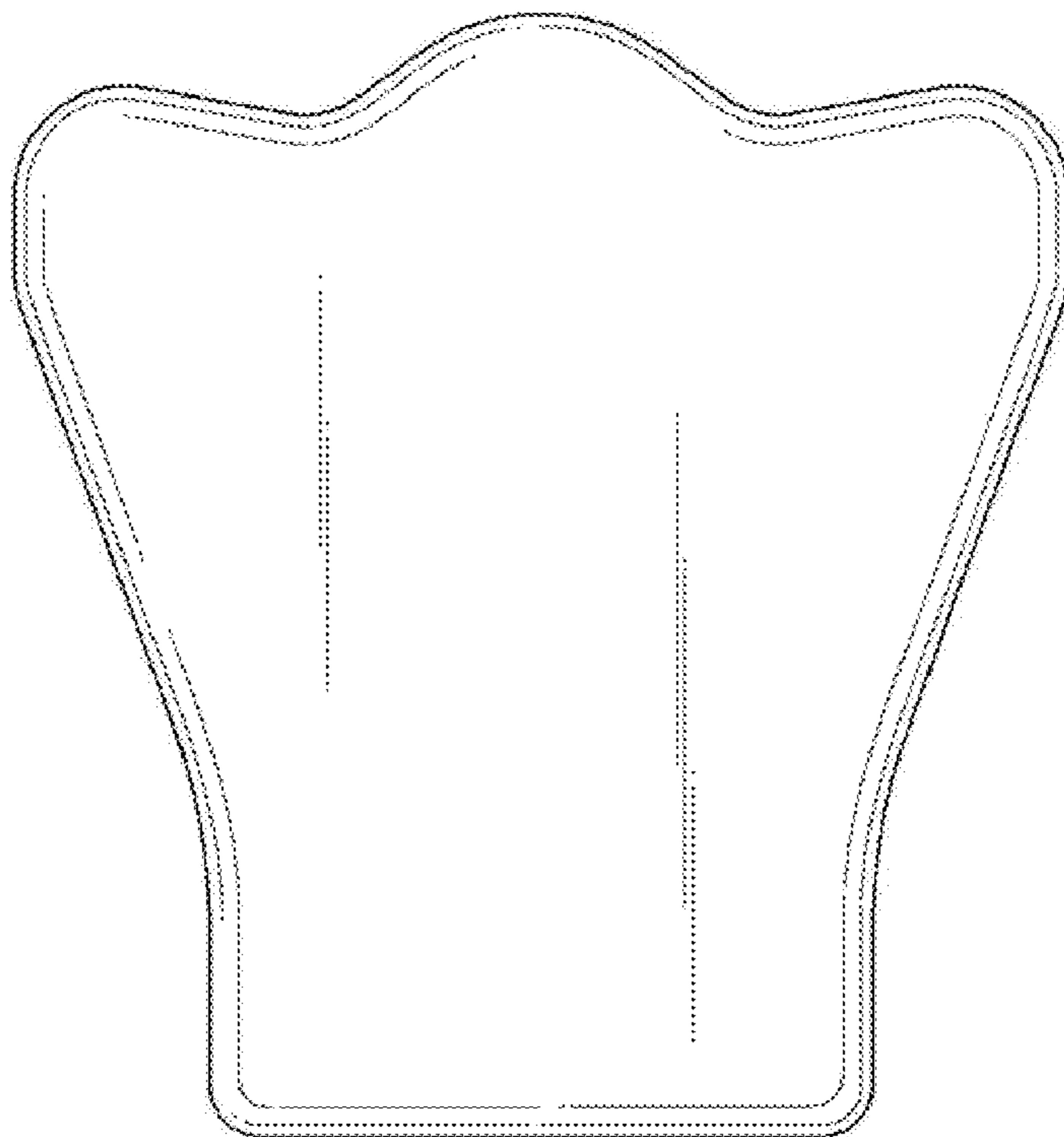


Fig. 4

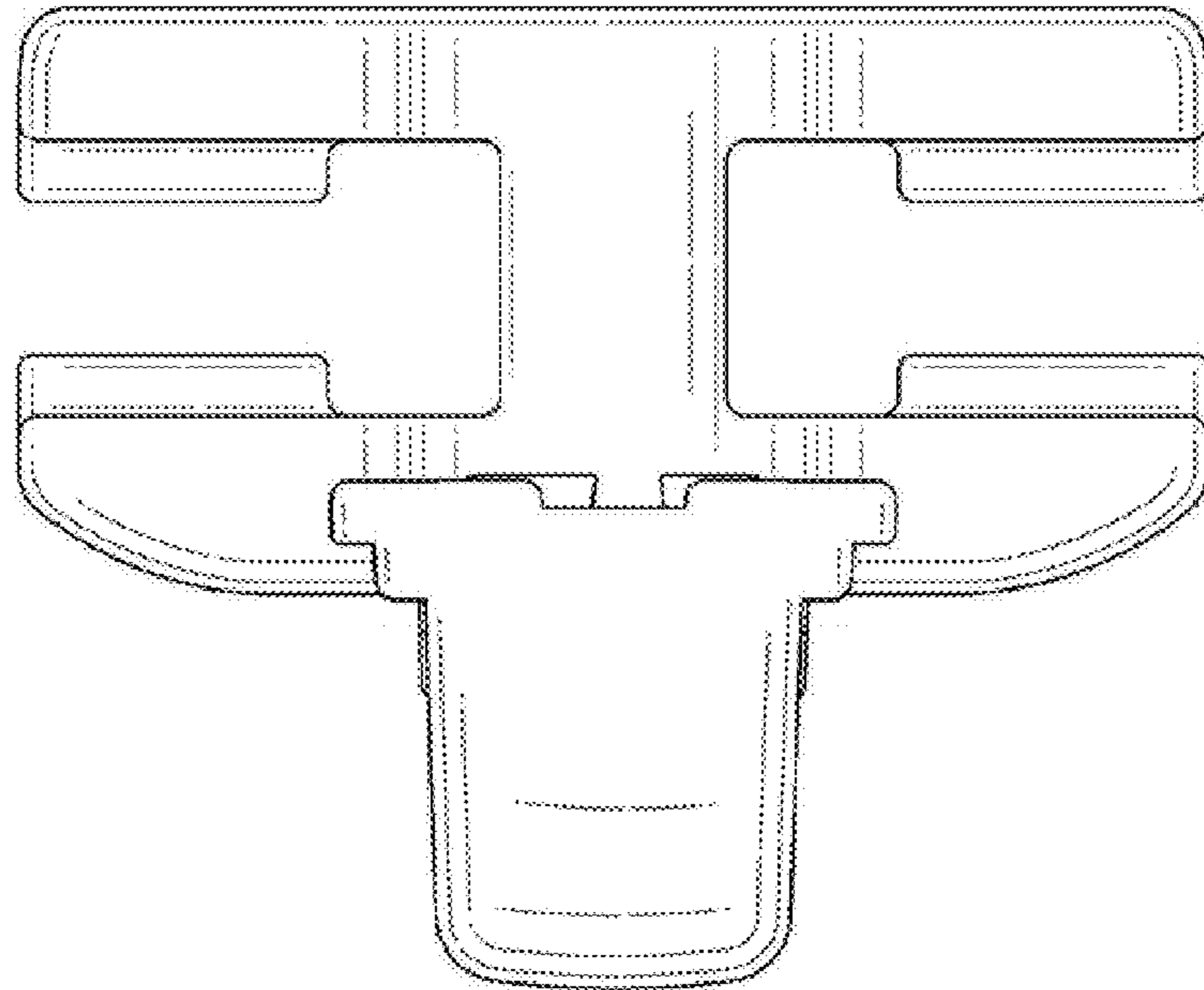


Fig. 5

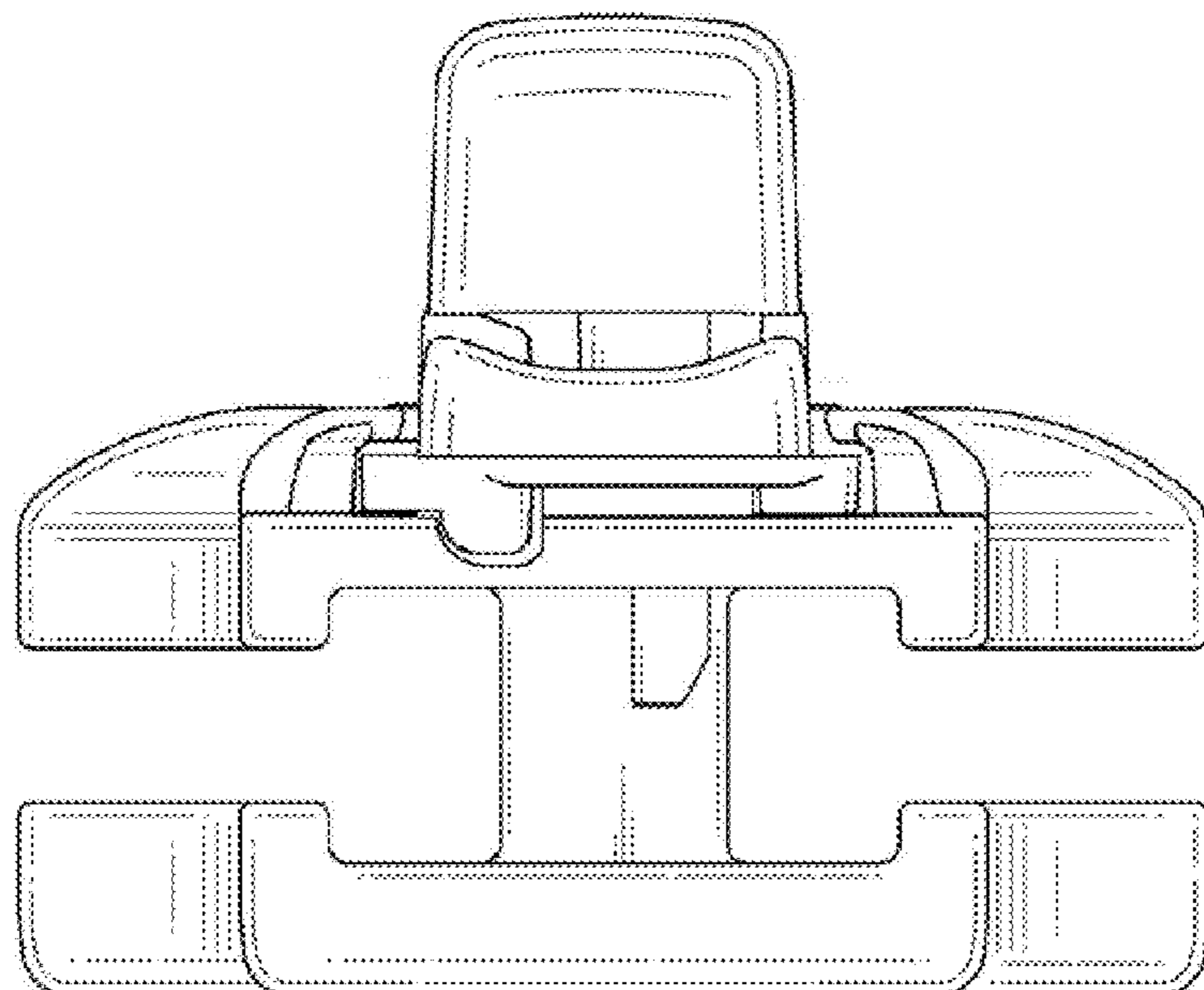


Fig. 6

