



US00D655221S

(12) **United States Design Patent**  
**Adams**

(10) **Patent No.:** **US D655,221 S**  
(45) **Date of Patent:** **\*\* Mar. 6, 2012**

- (54) **STACKABLE ELEVATED PLANTER**
- (75) Inventor: **William E. Adams**, Portersville, PA (US)
- (73) Assignee: **Adams Mfg. Corp.**, Portersville, PA (US)
- (\*\*) Term: **14 Years**
- (21) Appl. No.: **29/390,134**
- (22) Filed: **Apr. 20, 2011**

- D376,964 S \* 12/1996 Lewy ..... D8/1
  - D422,936 S 4/2000 Tsou
  - 6,907,693 B1 \* 6/2005 Bemben ..... 47/65
  - 7,340,859 B2 3/2008 Palsrok
  - D606,773 S \* 12/2009 Copp et al. .... D6/403
  - D624,335 S \* 9/2010 Lutz et al. .... D6/403
  - D643,647 S \* 8/2011 Owen et al. .... D6/403
  - 2009/0277085 A1 11/2009 Stewart
- \* cited by examiner

*Primary Examiner* — Garth Rademaker  
(74) *Attorney, Agent, or Firm* — Buchanan Ingersoll & Rooney PC

**Related U.S. Application Data**

- (63) Continuation-in-part of application No. 12/757,585, filed on Apr. 9, 2010.
  - (51) **LOC (9) Cl.** ..... **11-02**
  - (52) **U.S. Cl.** ..... **D11/155; D6/403**
  - (58) **Field of Classification Search** ..... D6/403–405, D6/556–558; D8/1; D11/143–156, 164; D19/77, 80, 81; D25/100; D26/9–11, 16; D34/1, 2, 4–6; D99/5, 19; 47/32.4, 32.5, 47/32.7, 33, 41.01, 41.1, 41.11–41.15, 44–47, 47/65, 65.5, 65.9, 66.1, 66.2, 66.6, 66.7, 47/67–71
- See application file for complete search history.

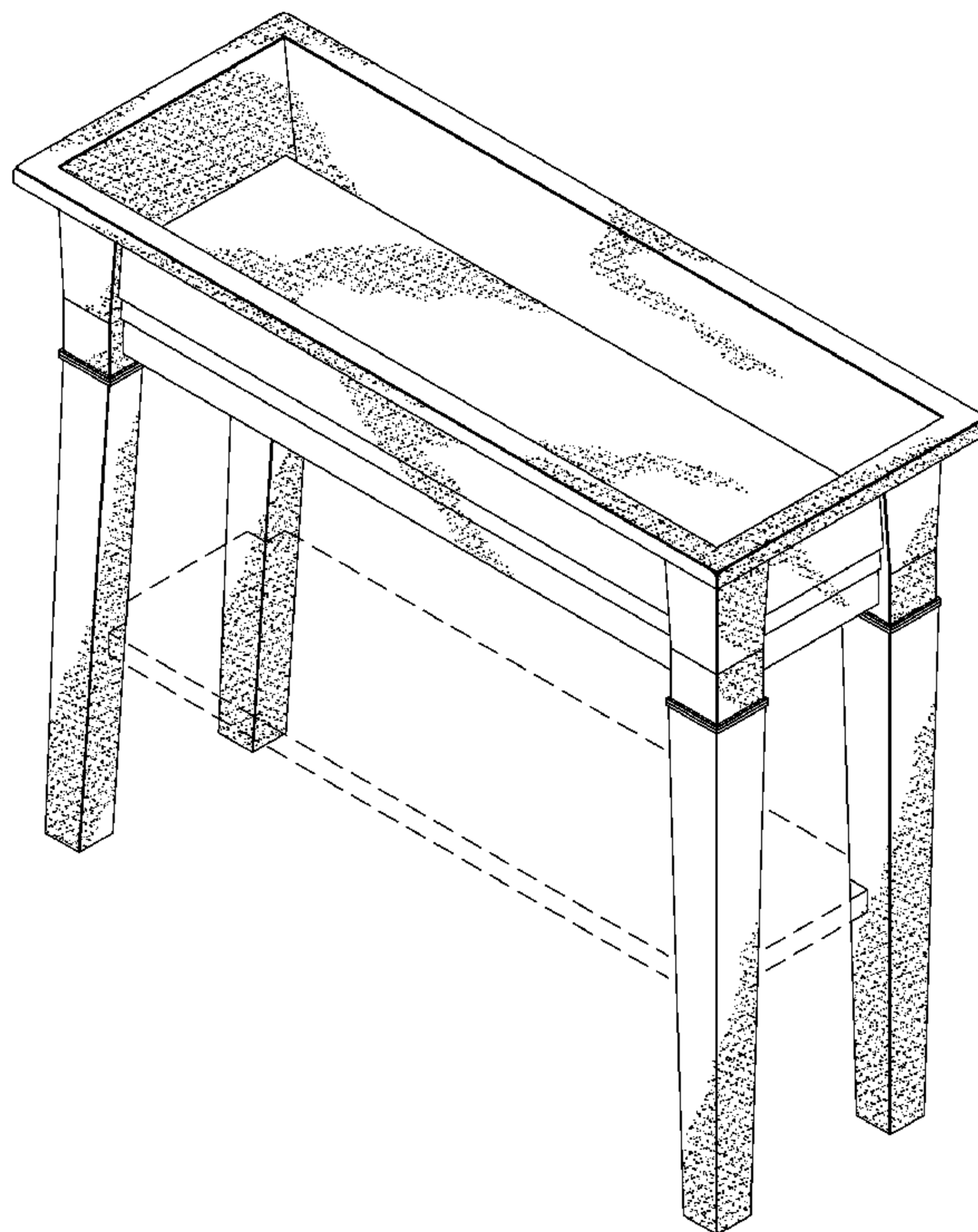
(57) **CLAIM**  
The ornamental design for a stackable elevated planter, as shown and described.

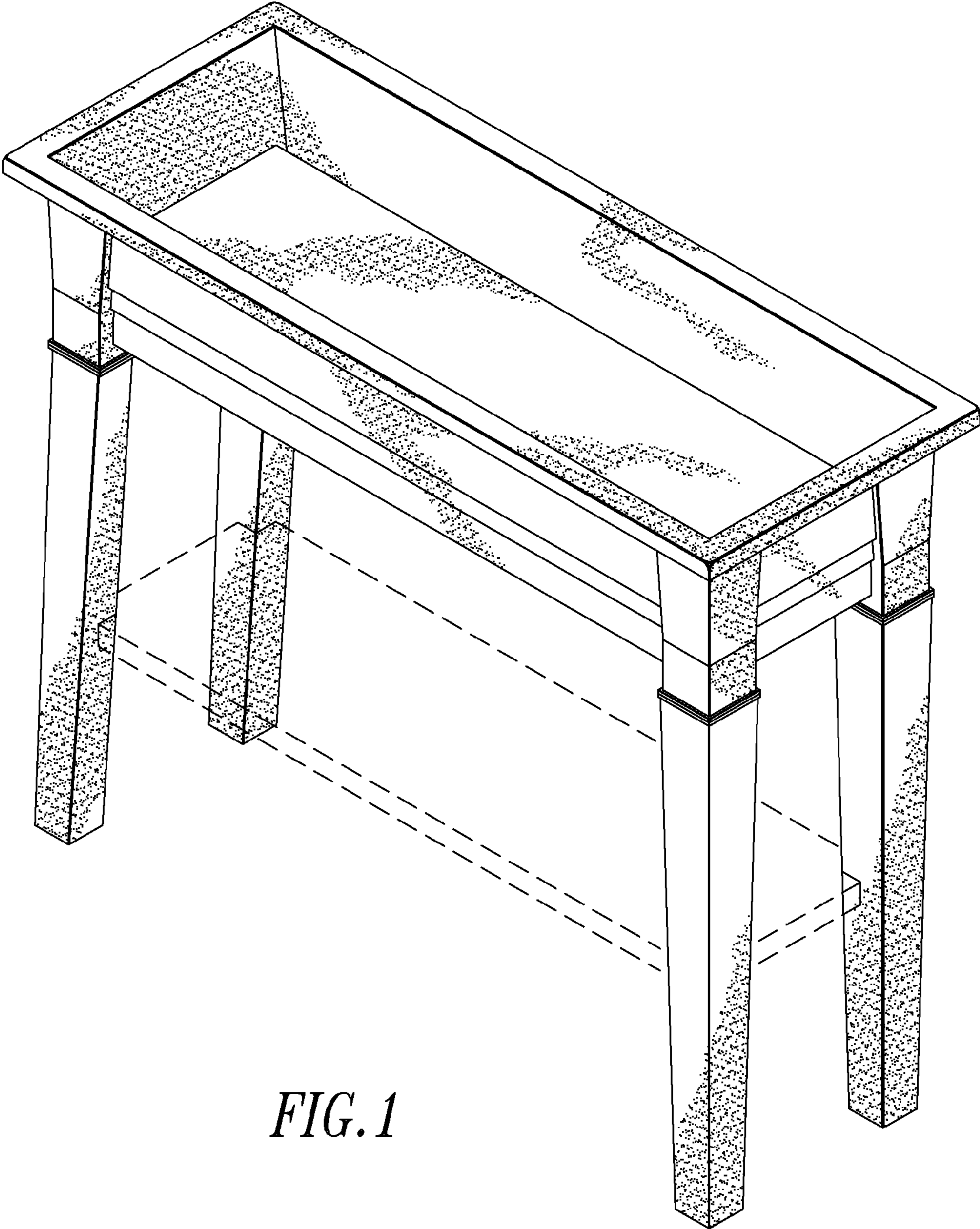
**DESCRIPTION**

FIG. 1 is a front perspective view of a stackable elevated planter shown in an assembled condition; FIG. 2 is a side view thereof; FIG. 3 is an end view thereof; FIG. 4 is a top view thereof; FIG. 5 is a bottom view thereof; FIG. 6 is a bottom view thereof, shown in a disassembled condition with the legs nested in the planter body; FIG. 7 is a side view thereof; and, FIG. 8 is an end view thereof. Broken lines in FIGS. 1 through 3 depict an optional shelf and forms no part of the claimed design. Broken lines in FIGS. 5 and 6 depict ribs on the bottom of the planter body and form no part of the claimed design.

- (56) **References Cited**
- U.S. PATENT DOCUMENTS
- 1,405,568 A \* 2/1922 Conklin ..... 47/68
- D236,569 S \* 9/1975 Kramer ..... D11/156
- 4,739,580 A \* 4/1988 Simmons et al. .... 47/17
- D359,930 S \* 7/1995 Tuttle ..... D11/155

**1 Claim, 4 Drawing Sheets**





*FIG. 1*

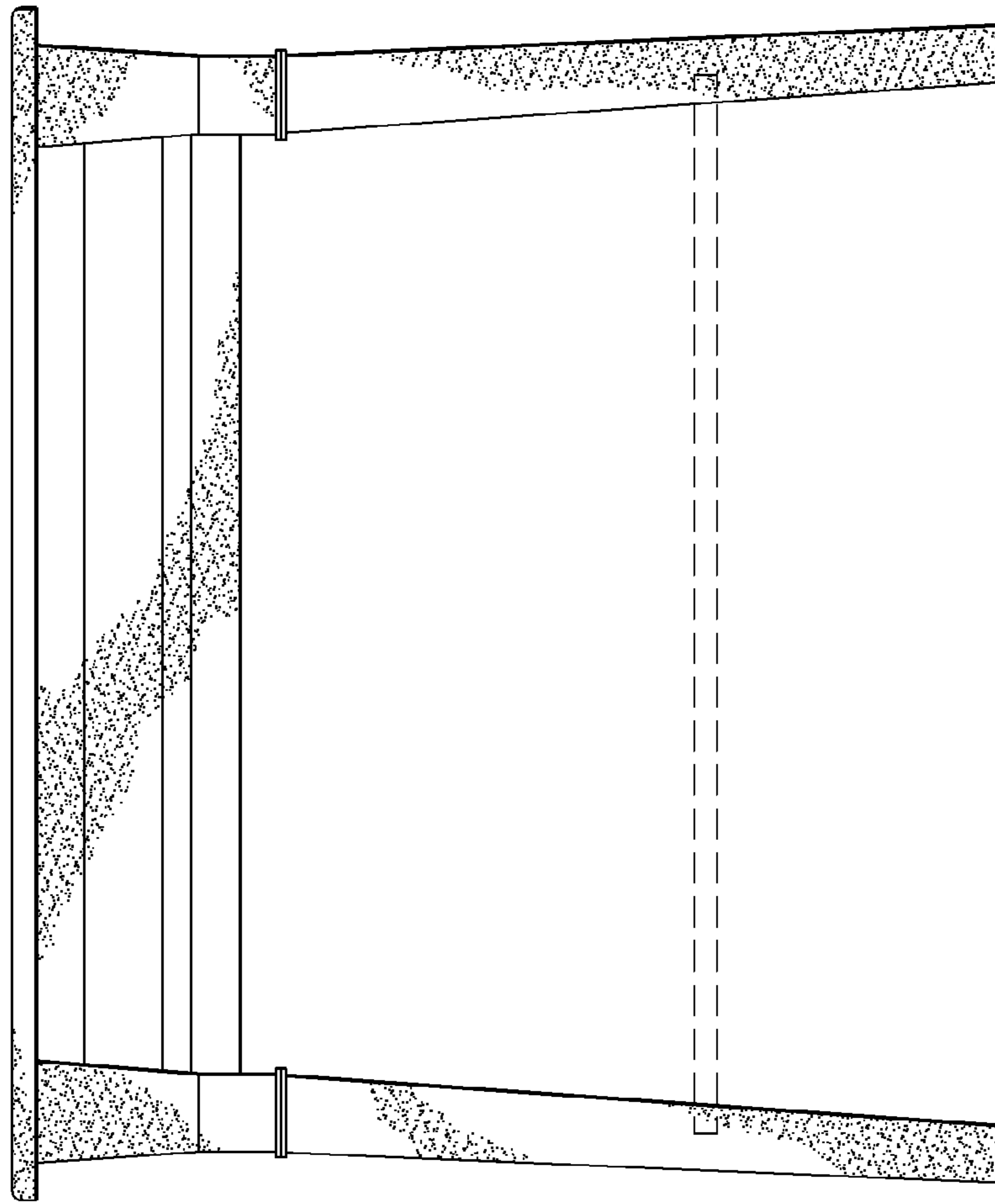


FIG. 3

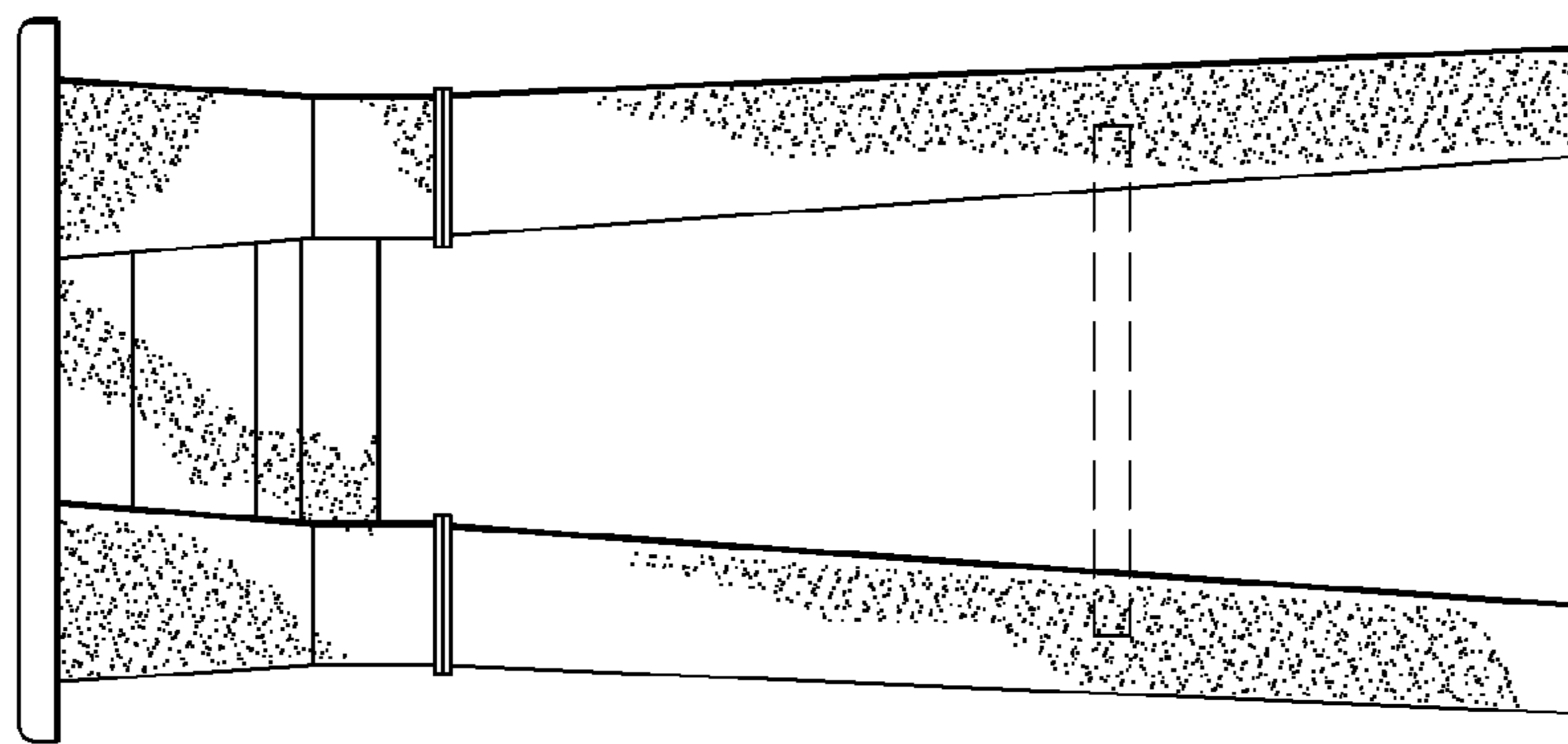
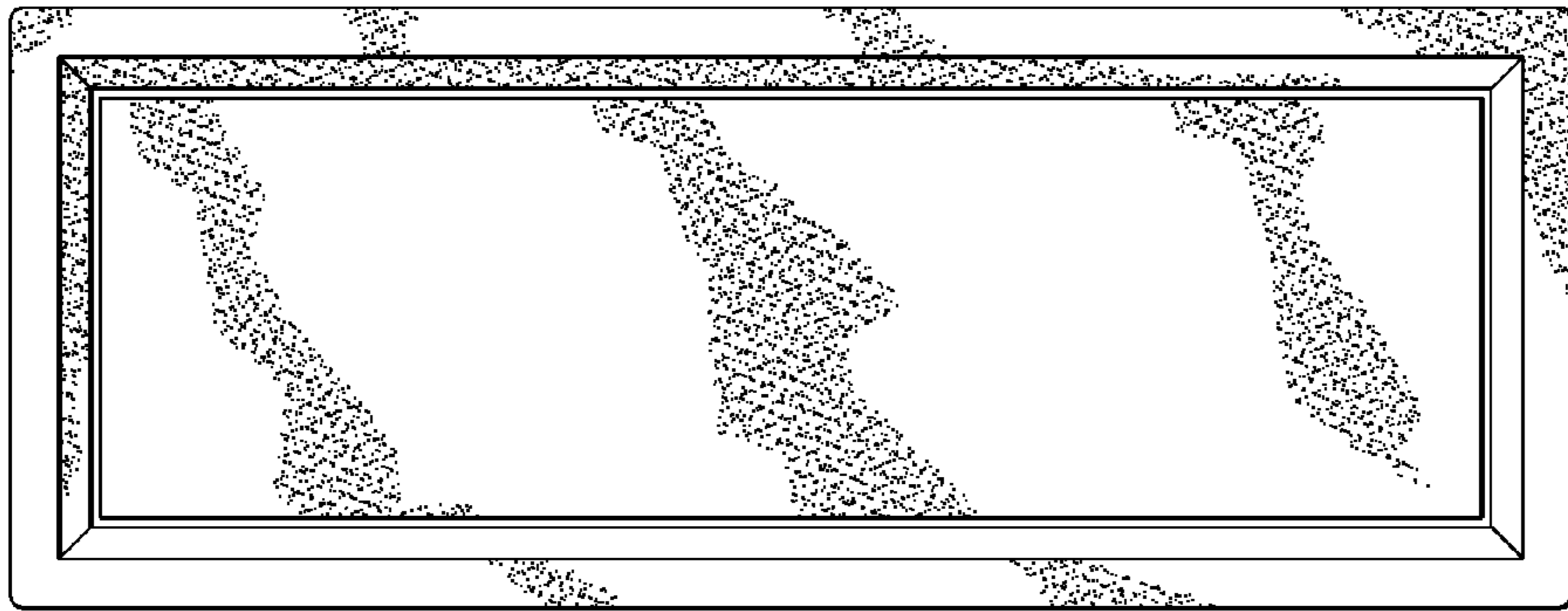
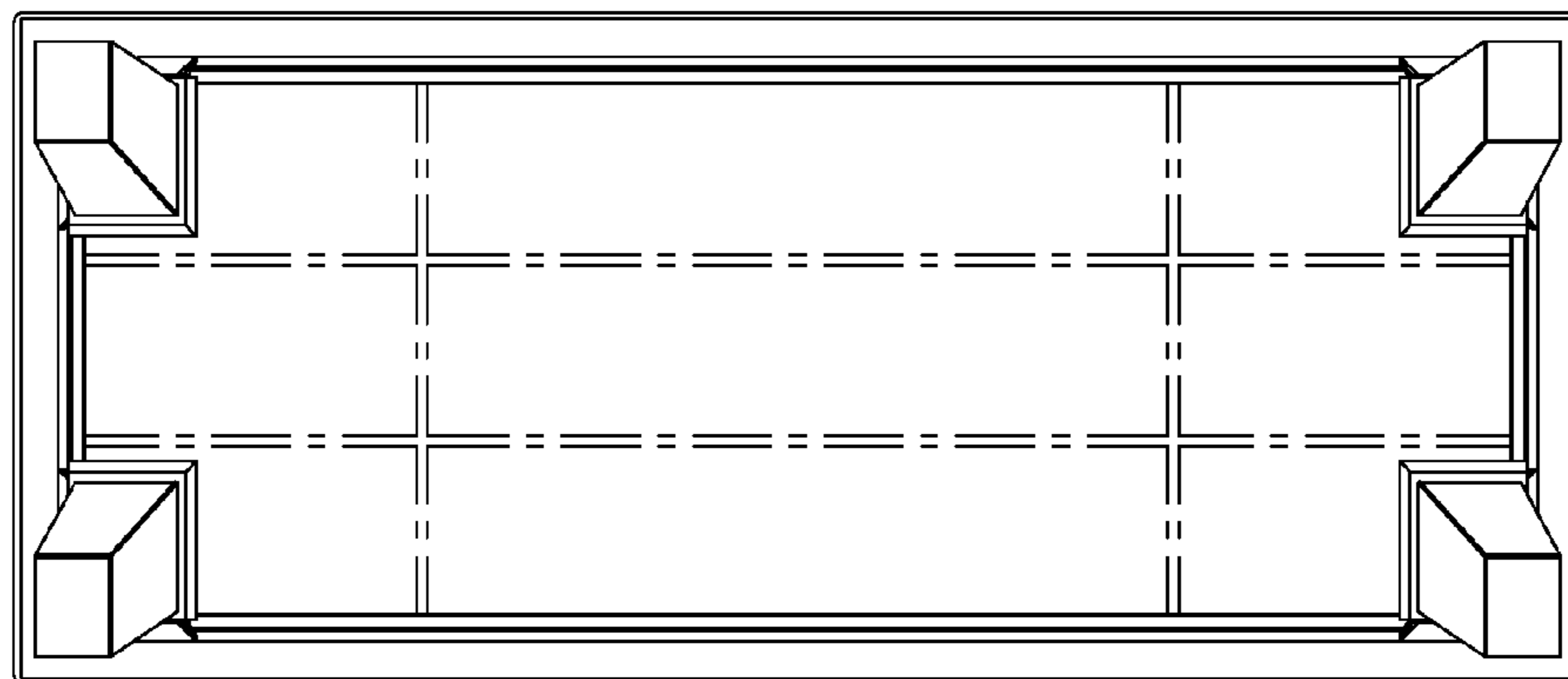


FIG. 2



*FIG. 4*



*FIG. 5*

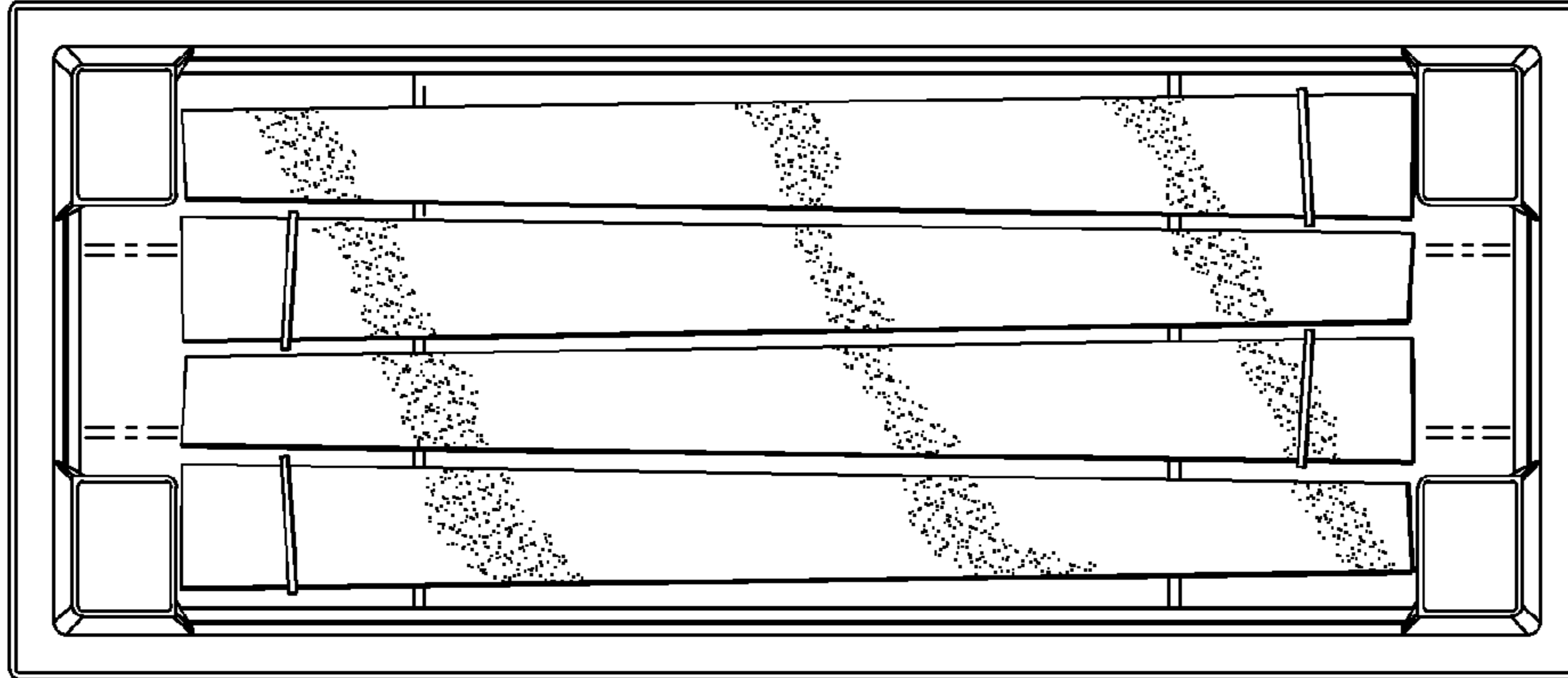


FIG. 6



FIG. 7

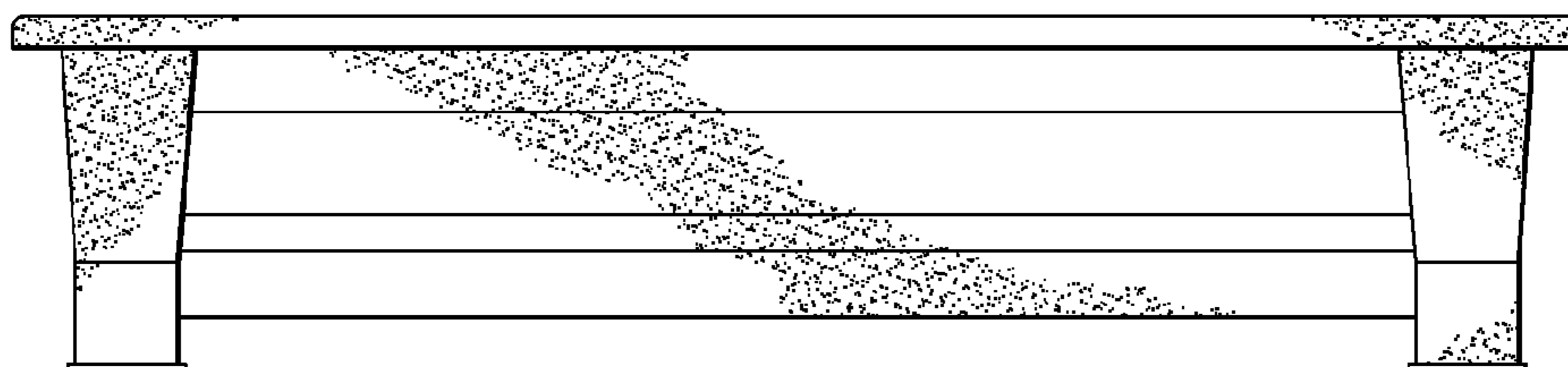


FIG. 8