



US00D655217S

(12) **United States Design Patent**  
**Thevenaz**

(10) **Patent No.:** **US D655,217 S**  
(45) **Date of Patent:** **\*\* Mar. 6, 2012**

(54) **RING**

(75) Inventor: **Cristina Thevenaz**, Geneva (CH)

(73) Assignee: **Delaneau SA**, Genève (CH)

(\*\*) Term: **14 Years**

(21) Appl. No.: **29/381,805**

(22) Filed: **Dec. 23, 2010**

(30) **Foreign Application Priority Data**

Jun. 30, 2010 (WO) ..... DM/073 863

(51) **LOC (9) Cl.** ..... **11-01**

(52) **U.S. Cl.** ..... **D11/26**

(58) **Field of Classification Search** ..... D11/1-4,  
D11/26-39; 63/15, 15.1, 15.2, 15.3, 15.4,  
63/15.45, 15.5, 15.6, 15.65, 15.7, 26, 27,  
63/12, 13

See application file for complete search history.

(56) **References Cited**

U.S. PATENT DOCUMENTS

D131,797 S \* 3/1942 Barbieri ..... 63/15

(Continued)

*Primary Examiner* — Cathron Brooks

*Assistant Examiner* — Melanie Levy

(74) *Attorney, Agent, or Firm* — McGlew and Tuttle, P.C.

(57) **CLAIM**

The ornamental design for a ring, as shown and described.

**DESCRIPTION**

FIG. 1 is right side view of my new ring design;

FIG. 2 is a bottom view thereof;

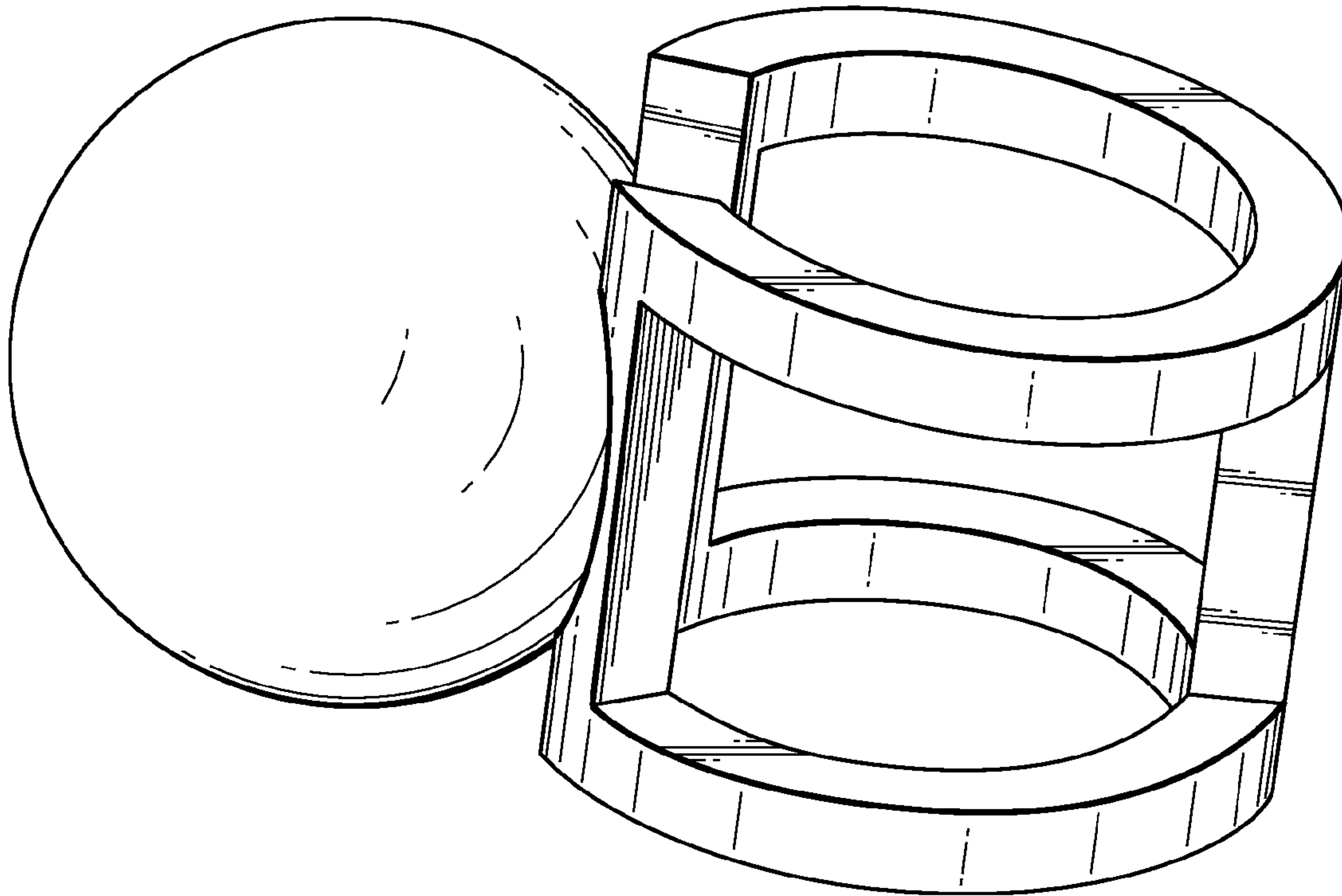
FIG. 3 is a front elevational view thereof, the rear elevational view being identical thereto;

FIG. 4 is a top view thereof;

FIG. 5 is left side view thereof; and,

FIG. 6 is a perspective view thereof.

**1 Claim, 6 Drawing Sheets**



# US D655,217 S

Page 2

---

## U.S. PATENT DOCUMENTS

D265,808 S *	8/1982	Barr .....	D11/35	D444,408 S *	7/2001	Goulet Mauboussin .....	D11/26
D355,623 S *	2/1995	Pagani .....	D11/26	D494,082 S *	8/2004	Hardy .....	D11/26
D365,038 S *	12/1995	Merritt .....	D11/26	D624,450 S *	9/2010	Maier .....	D11/26

\* cited by examiner

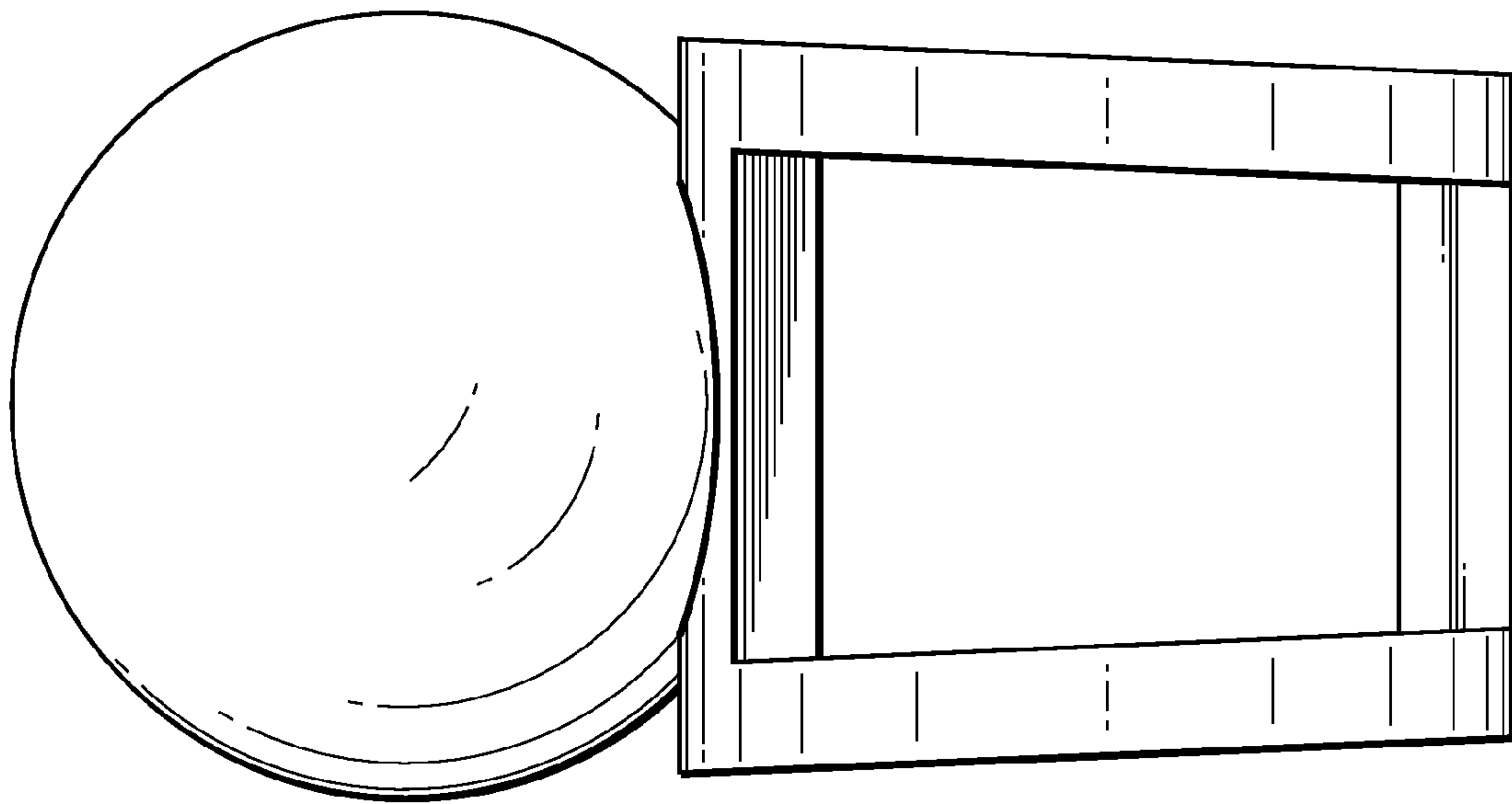


FIG. 1

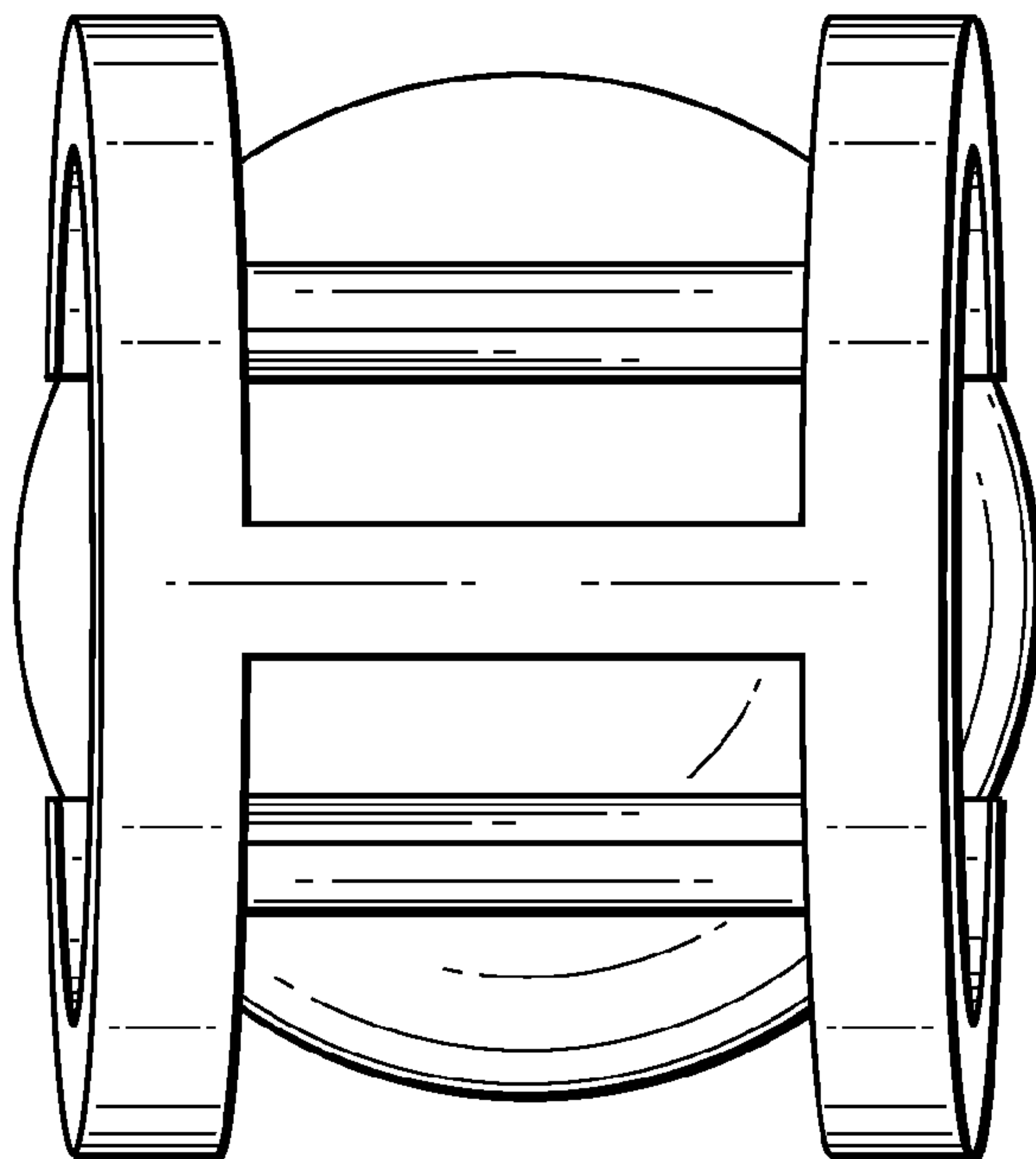


FIG. 2

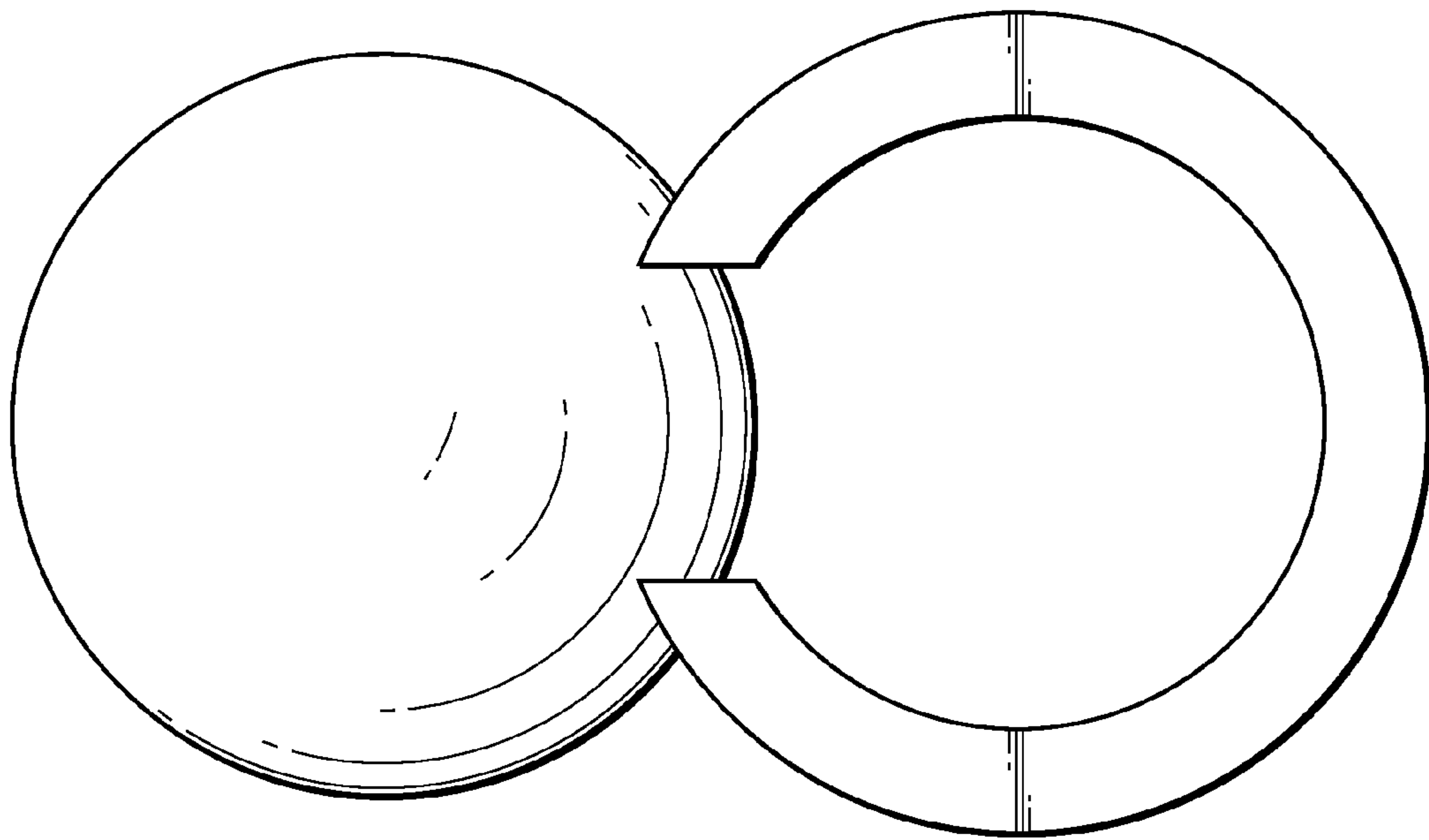


FIG. 3

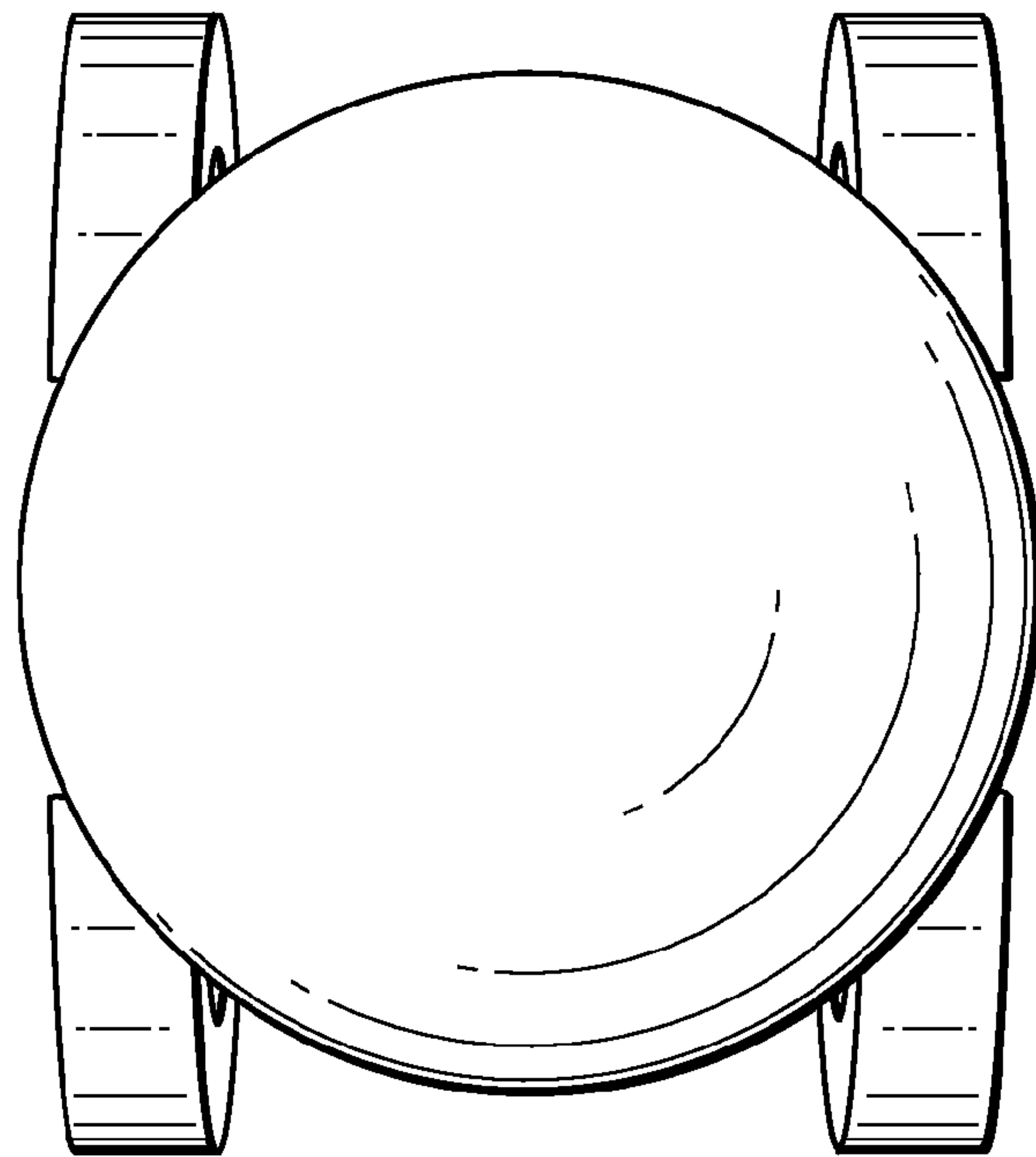


FIG. 4

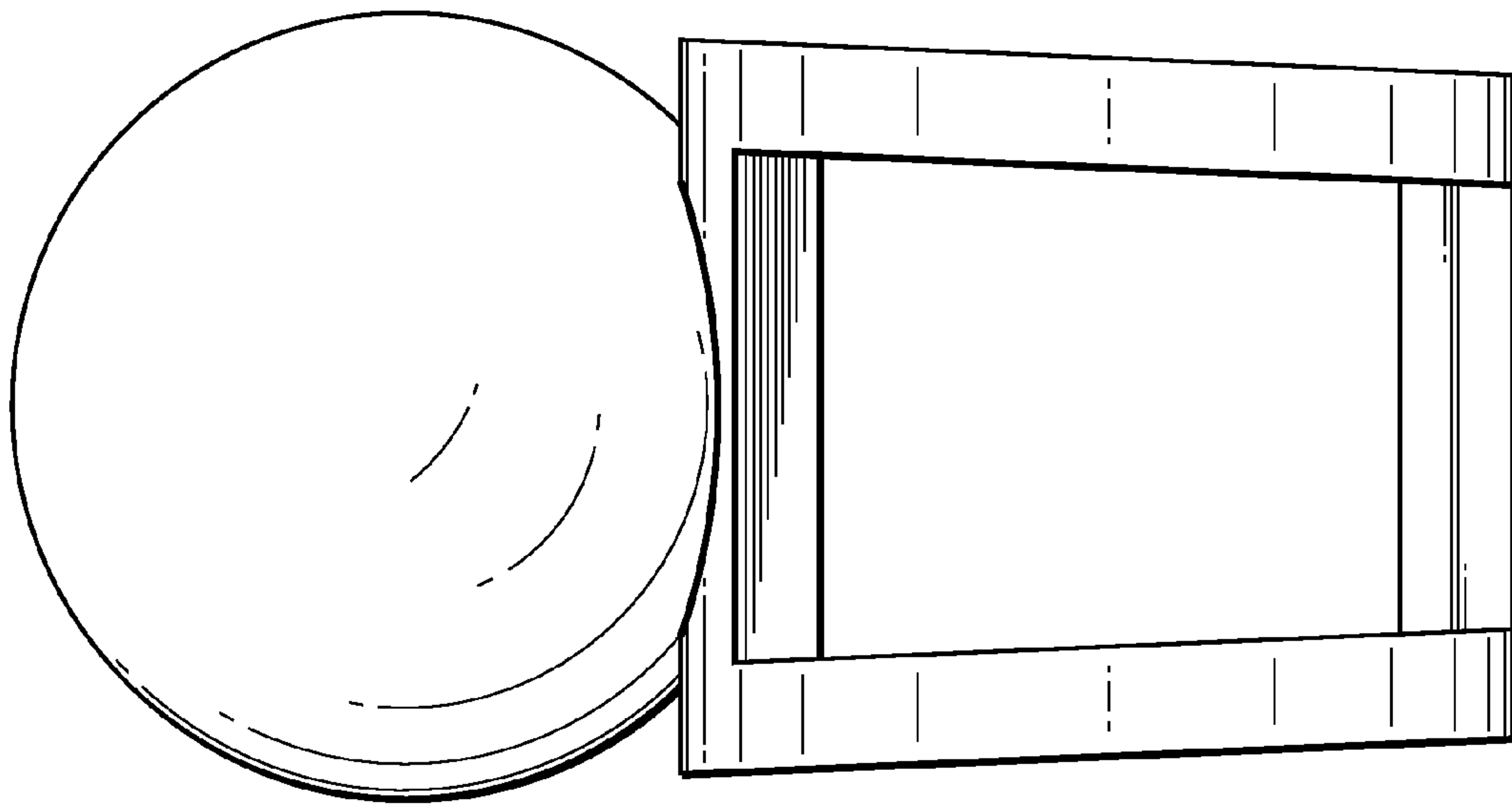


FIG. 5

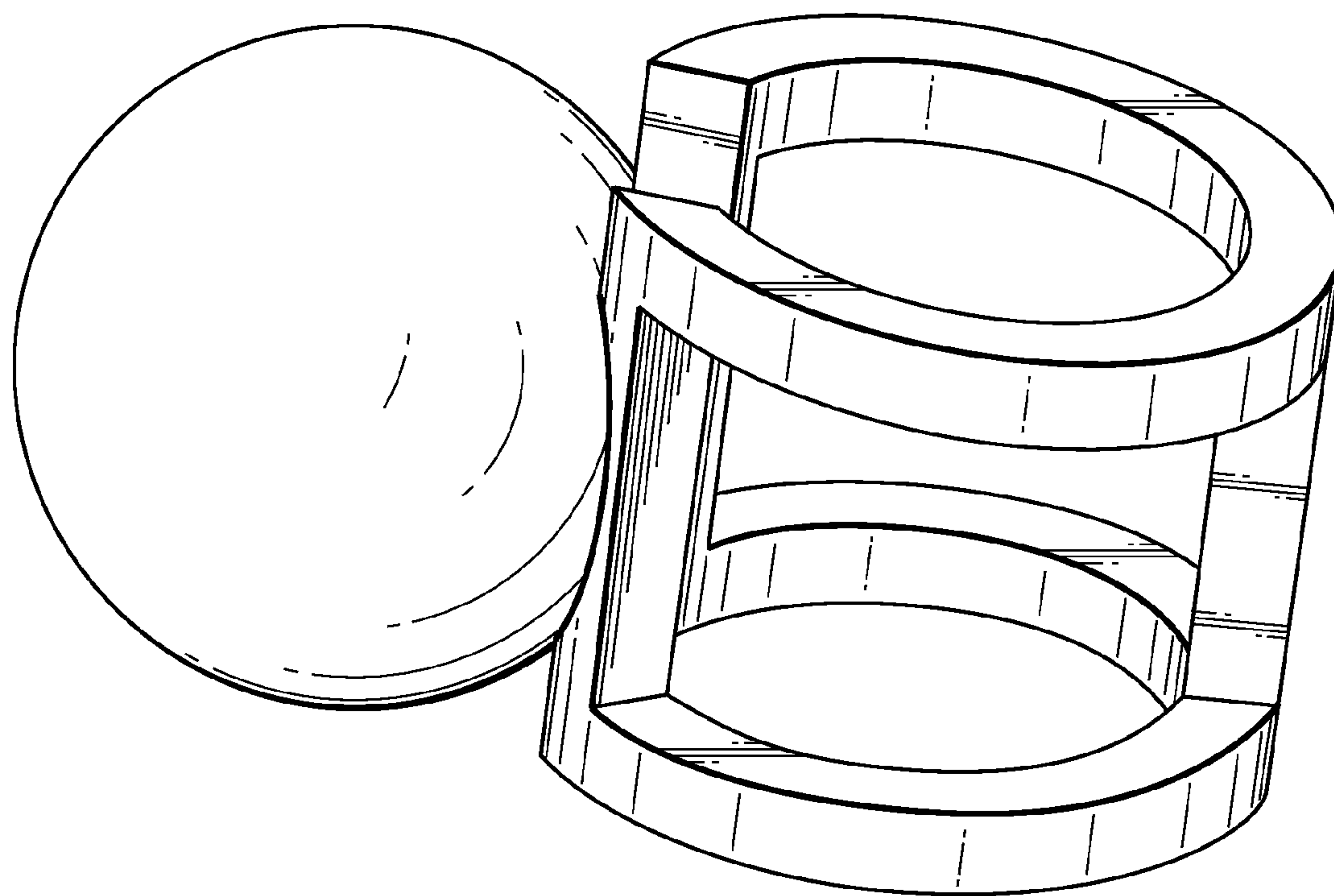


FIG. 6