



US00D655216S

(12) **United States Design Patent**
Stuffle

(10) **Patent No.:** **US D655,216 S**

(45) **Date of Patent:** **** Mar. 6, 2012**

(54) **SIGNAL DEVICE**

(75) Inventor: **Werner Stuffle**, Balgheim (DE)

(73) Assignee: **Werma Holding GmbH + Co. KG**,
Rietheim-Weilheim (DE)

(**) Term: **14 Years**

(21) Appl. No.: **29/347,105**

(22) Filed: **Sep. 23, 2009**

(30) **Foreign Application Priority Data**

Mar. 26, 2009 (EM) 001131122

(51) **LOC (9) Cl.** **10-05**

(52) **U.S. Cl.** **D10/114.1**

(58) **Field of Classification Search** D10/114.2,
D10/114.6, 114.9, 114.1, 111; D26/37, 39-42,
D26/61-62, 75-76, 92, 72; D28/88; 362/184,
362/202, 203, 205, 235, 641, 285; 340/321,
340/908

See application file for complete search history.

(56) **References Cited**

U.S. PATENT DOCUMENTS

662,491 A * 11/1900 Mead 362/157
D161,699 S * 1/1951 Marker D26/76
D322,584 S * 12/1991 Kawashima et al. D10/114.6
D383,867 S * 9/1997 Shalvi D26/68
D384,764 S * 10/1997 Littman D26/87
6,135,612 A * 10/2000 Clore 362/184
D604,652 S * 11/2009 Schoettle D10/111

D636,514 S * 4/2011 Ruud et al. D26/61
D641,647 S * 7/2011 Wu D10/111
2002/0085377 A1 * 7/2002 Mukogawa et al. 362/184
2008/0192476 A1 * 8/2008 Hiratsuka 362/285

* cited by examiner

Primary Examiner — George D Kirschbaum

(74) *Attorney, Agent, or Firm* — Breneman & Georges

(57) **CLAIM**

The ornamental design for a signal device, as shown and described.

DESCRIPTION

FIG. 1 is a right side view of a signal device showing my new design;

FIG. 2 is a left side view of the signal device;

FIG. 3 is a front side view of the signal device;

FIG. 4 is a back side view of the signal device;

FIG. 5 is a bottom plan view of the signal device;

FIG. 6 is a top plan view of the signal device;

FIG. 7 is a perspective view of the signal device;

FIG. 8 is another perspective view of the signal device;

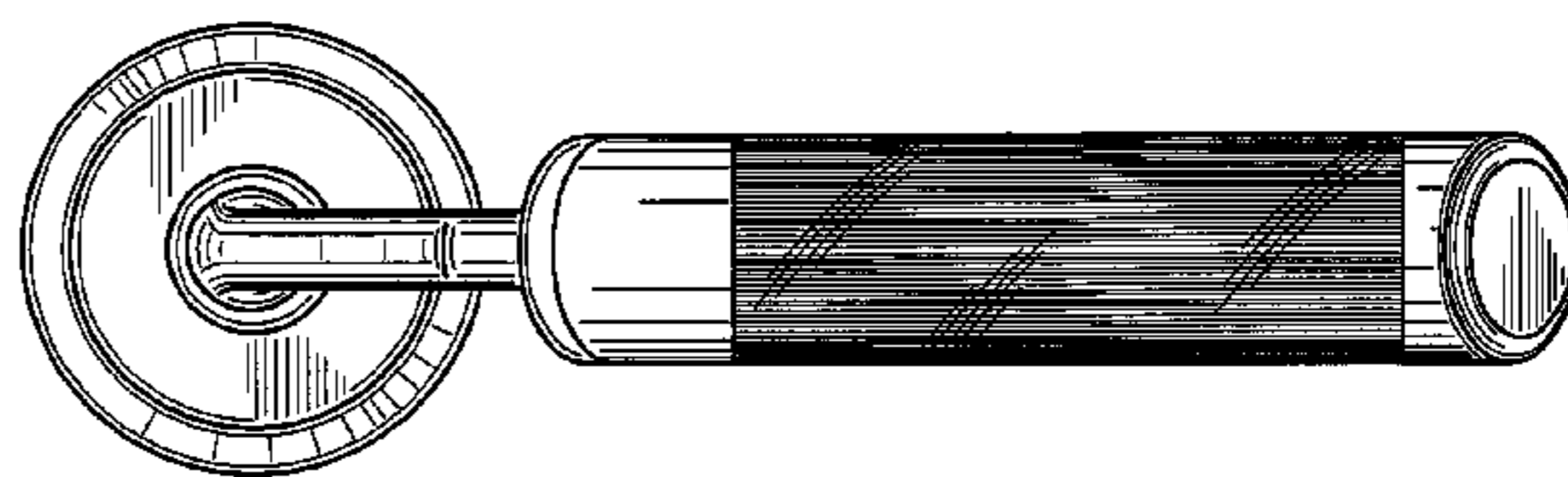
FIG. 9 is a left side view of the signal device with a clear lens;

FIG. 10 is a right side view of the signal device with a clear lens;

FIG. 11 is a front side view of the signal device with a clear lens; and,

FIG. 12 is a back side view of the signal device with a clear lens.

1 Claim, 6 Drawing Sheets



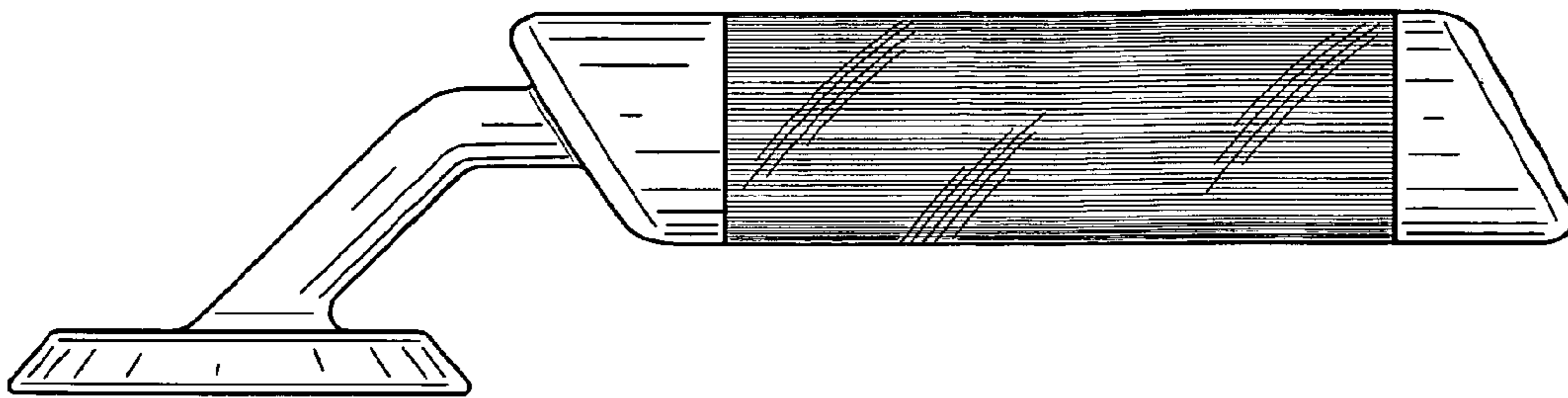


FIG. 1

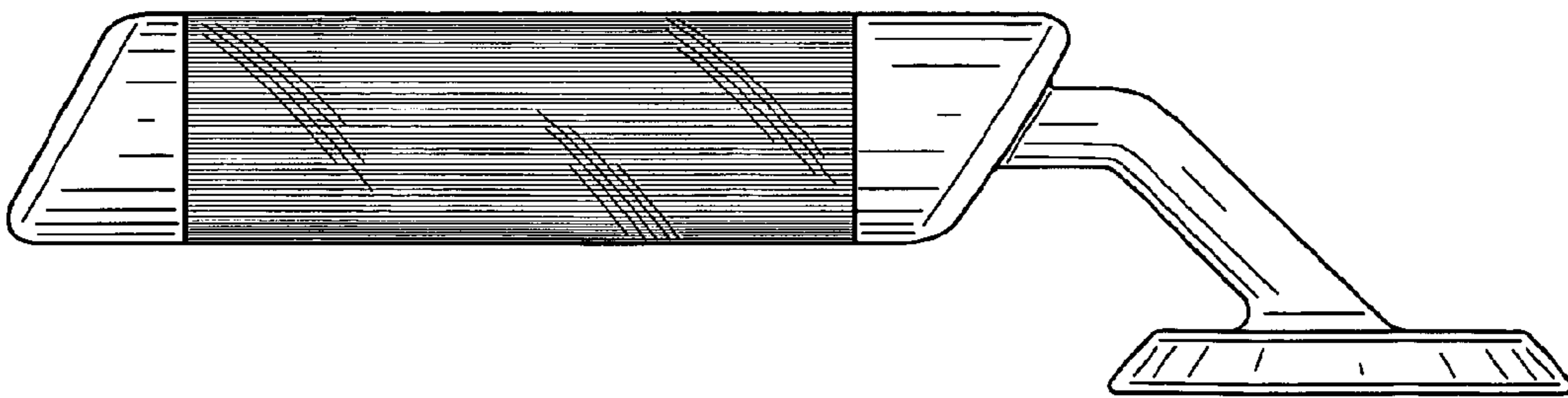


FIG. 2

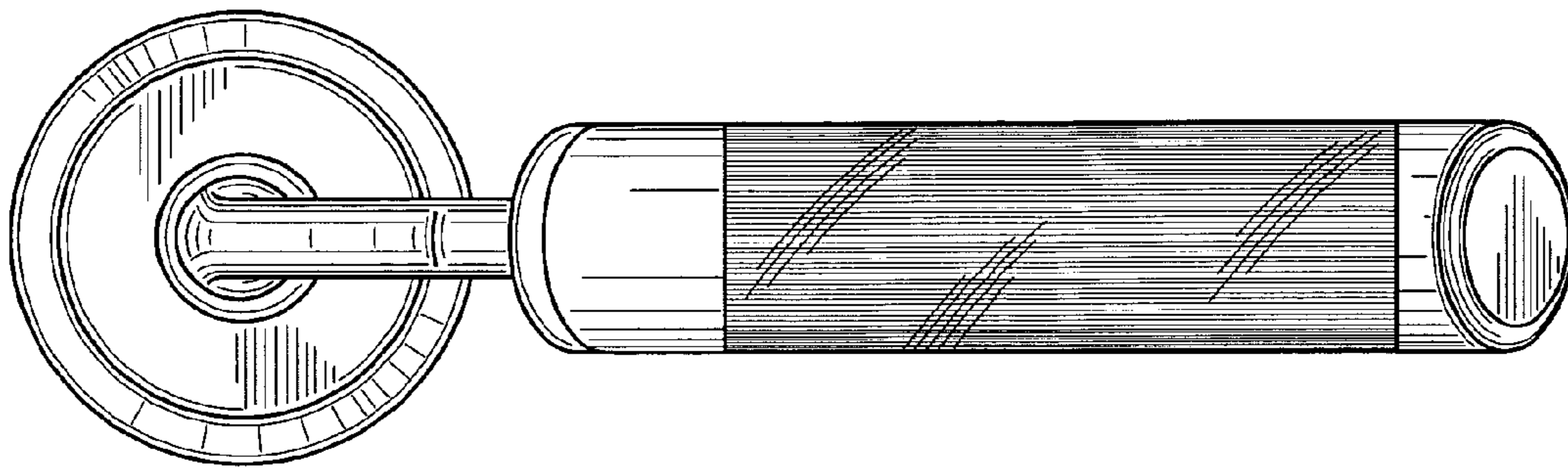


FIG. 3

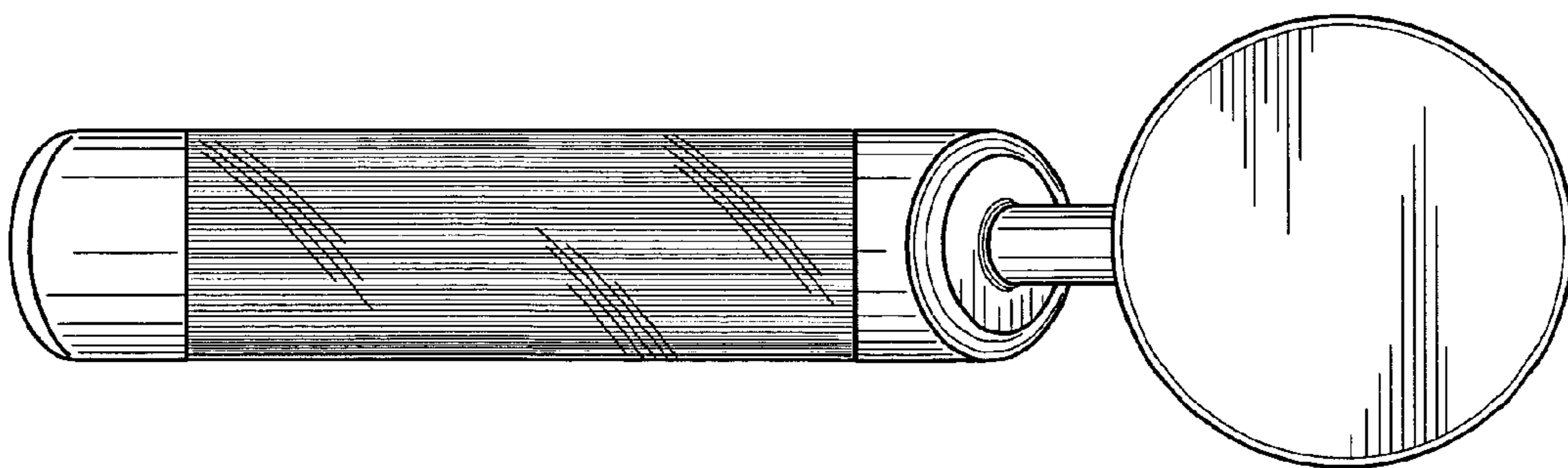


FIG. 4

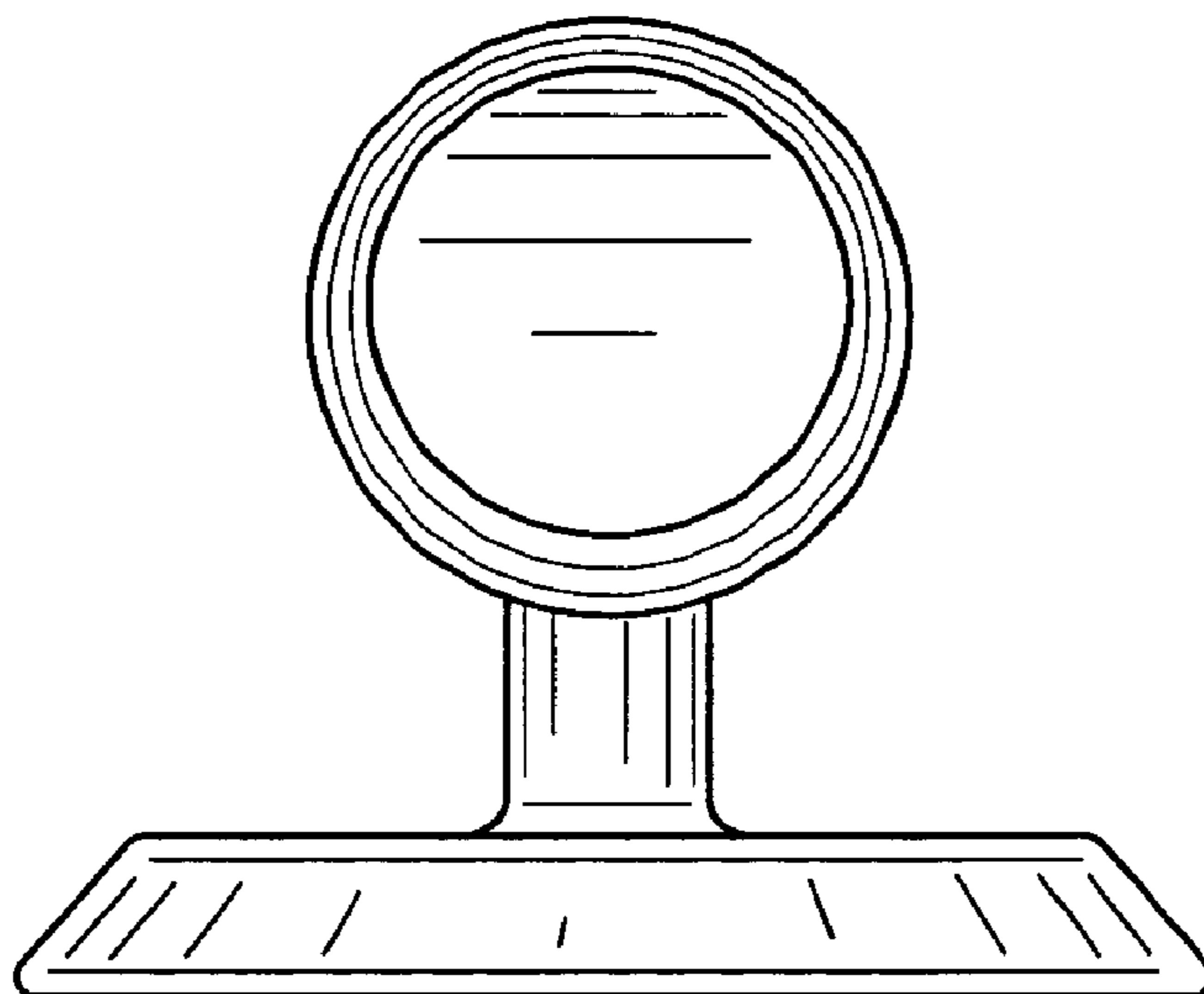


FIG. 5

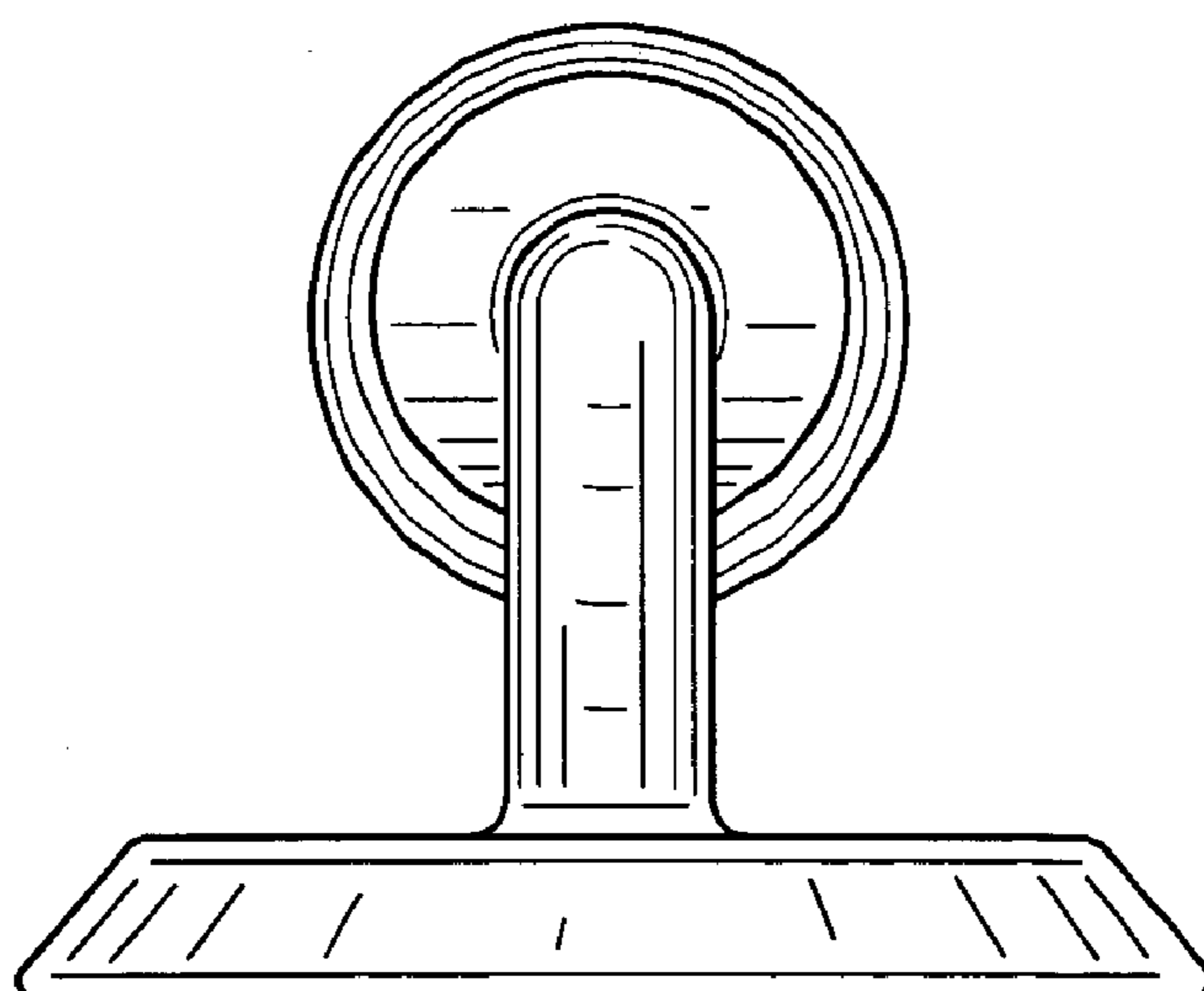


FIG. 6

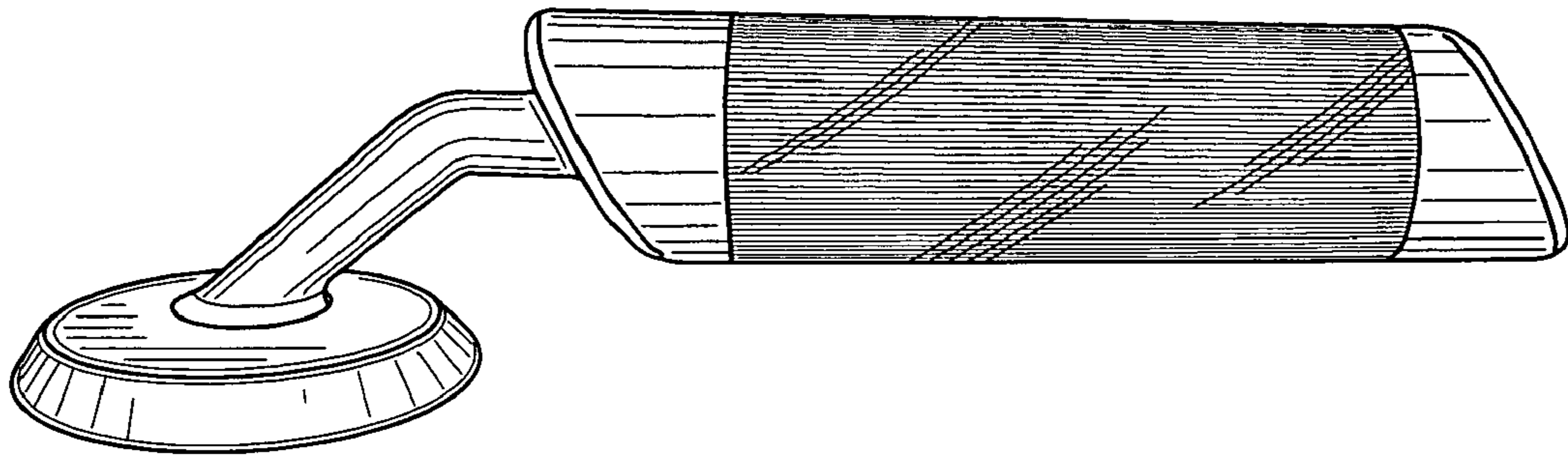


FIG. 7

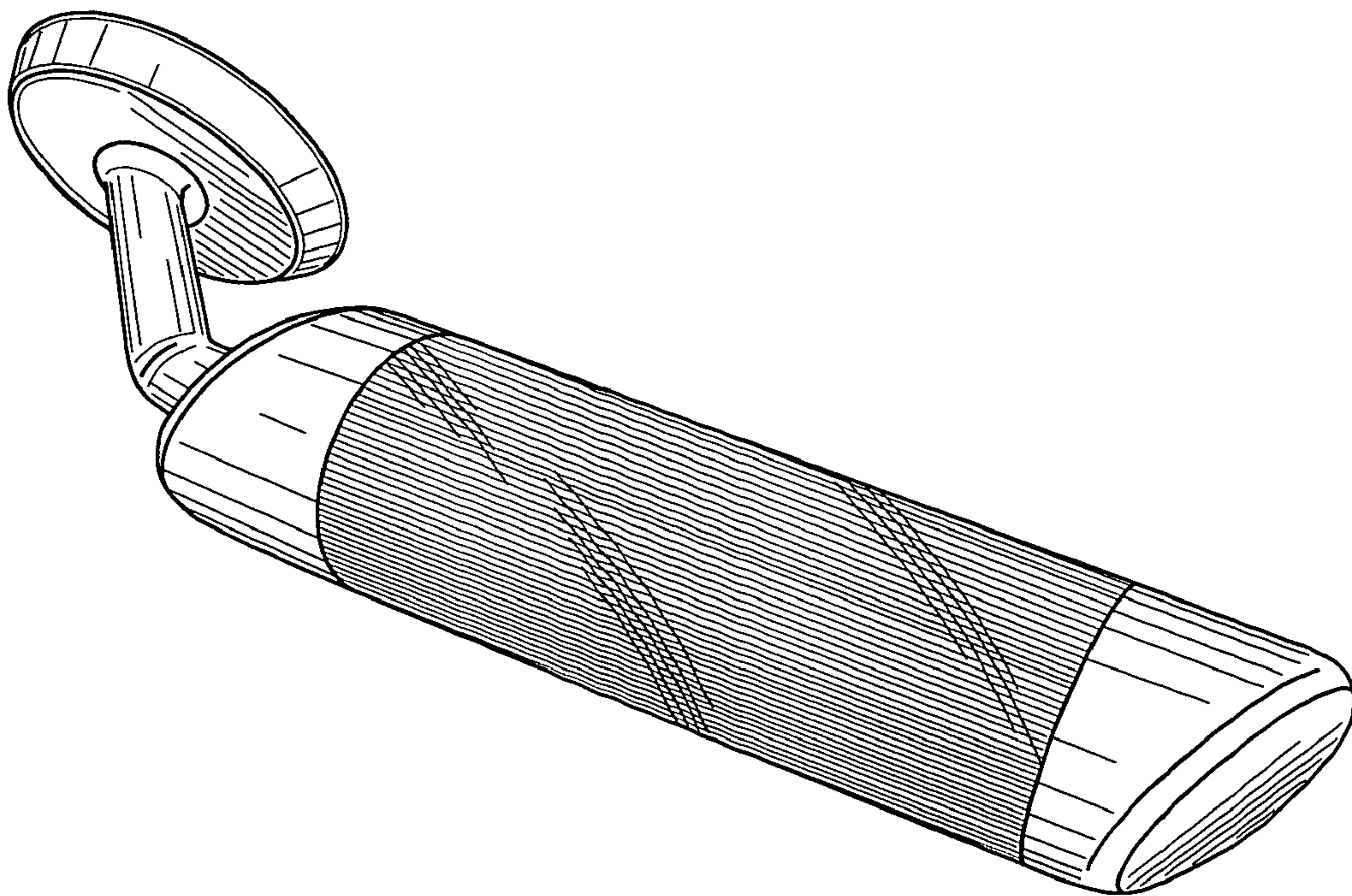


FIG. 8

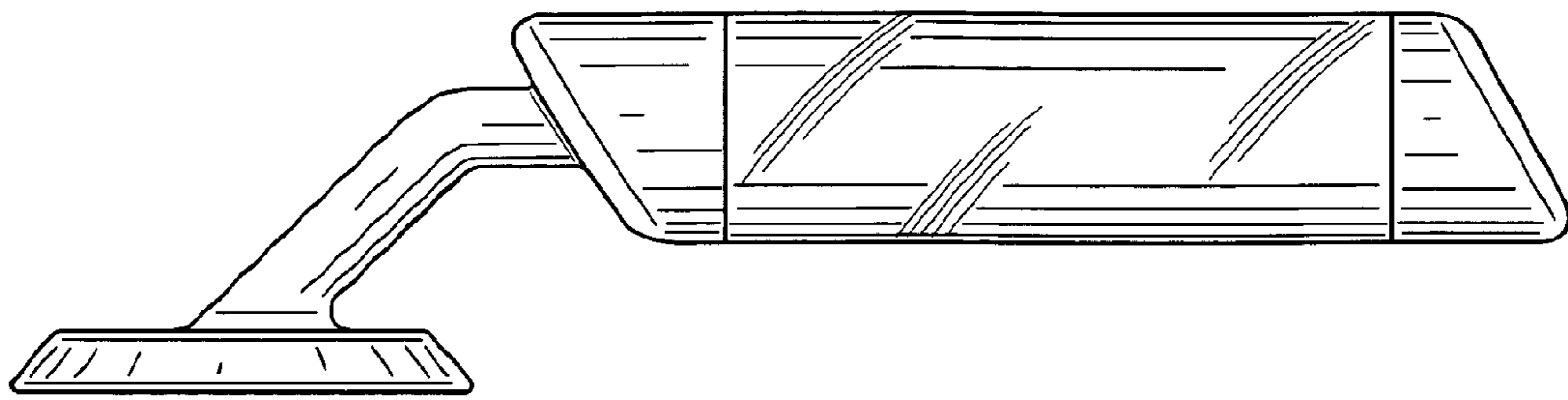


FIG. 9

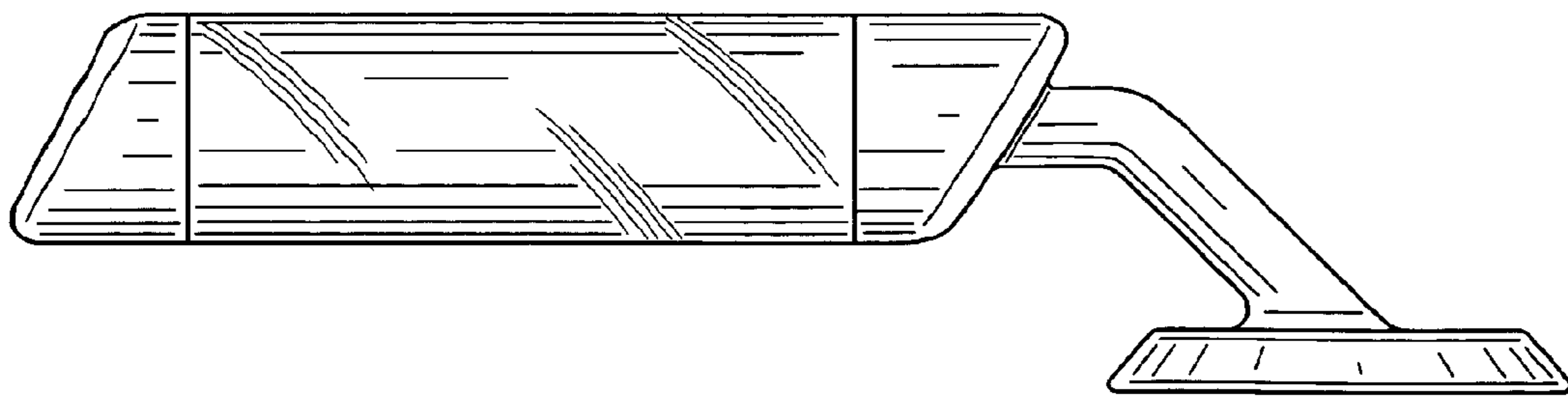


FIG. 10

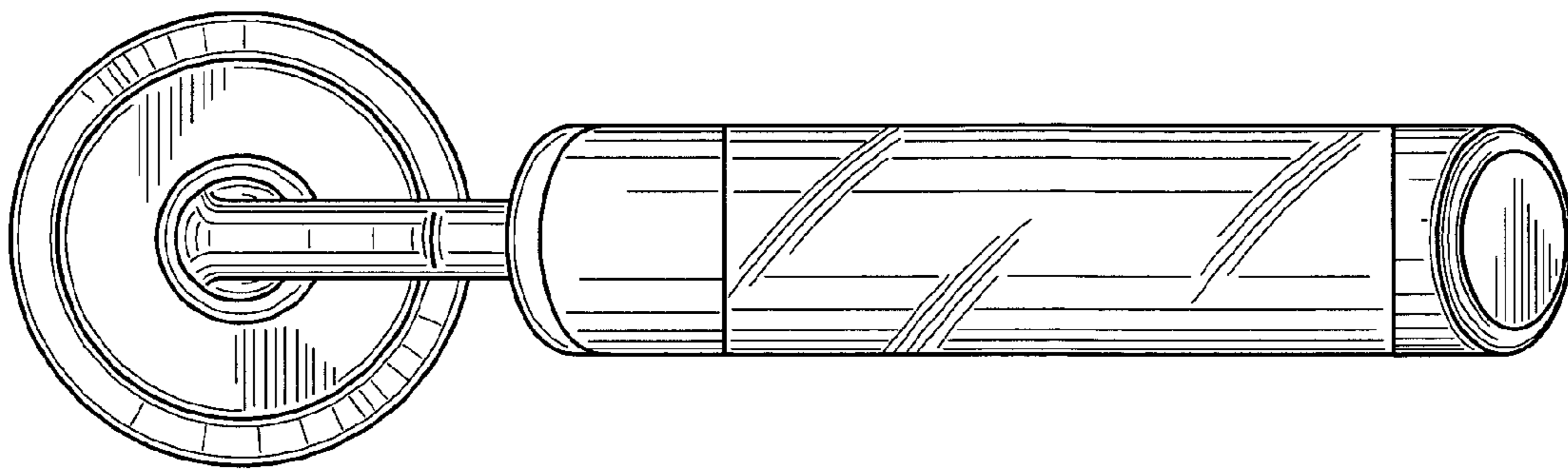


FIG. 11

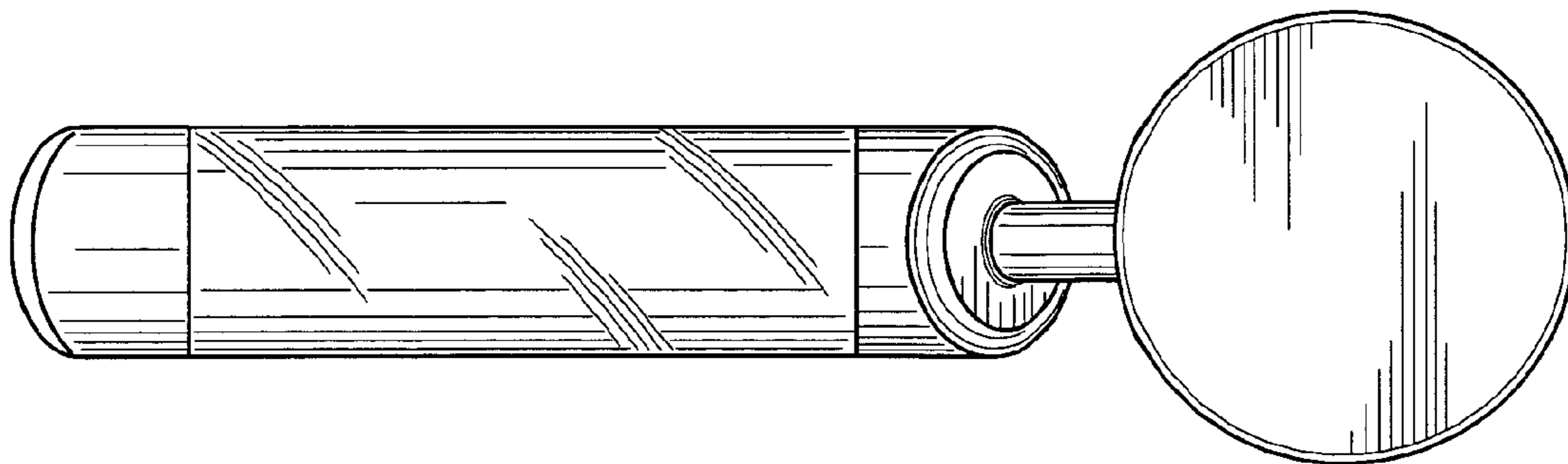


FIG. 12