



US00D655215S

(12) **United States Design Patent**
Daniel

(10) **Patent No.:** **US D655,215 S**
(45) **Date of Patent:** **** Mar. 6, 2012**

(54) **LOCATION TRACKING AND ALERT DEVICE**

Primary Examiner — Antoine D Davis

(75) Inventor: **Isaac S. Daniel**, Miramar, FL (US)

(74) *Attorney, Agent, or Firm* — Carol N. Green, Esq.

(73) Assignee: **F3M3 Companies, Inc.**, Miramar, FL (US)

(**) Term: **14 Years**

(57) **CLAIM**

The ornamental design for a location tracking and alert device, as shown and described.

(21) Appl. No.: **29/375,931**

(22) Filed: **Sep. 29, 2010**

DESCRIPTION

(51) **LOC (9) Cl.** **10-05**

(52) **U.S. Cl.** **D10/104.1; D10/65; D10/70**

(58) **Field of Classification Search** D10/65, D10/70, 104.1, 104.2; 379/433.01–433.13, 379/419, 434, 428.01–428.04, 420.01–420.04, 379/440, 2; 455/575.6, 95, 128, 347, 90; 340/539.11, 539.1, 539.13, 573.1, 825.36, 340/825.49; 342/357.07, 357.09; 701/213
See application file for complete search history.

FIG. 1 is a front perspective view of the location tracking and alert device.

FIG. 2 is a rear perspective view of the location tracking and alert device.

FIG. 3 is a front plan view of the location tracking and alert device.

FIG. 4 is a rear plan view of the location tracking and alert device.

FIG. 5 is a bottom view of the location tracking and alert device.

FIG. 6 is a top view of the location tracking and alert device.

FIG. 7 is a right view of the location tracking and alert device; and,

FIG. 8 is a left plan view of the location tracking and alert device.

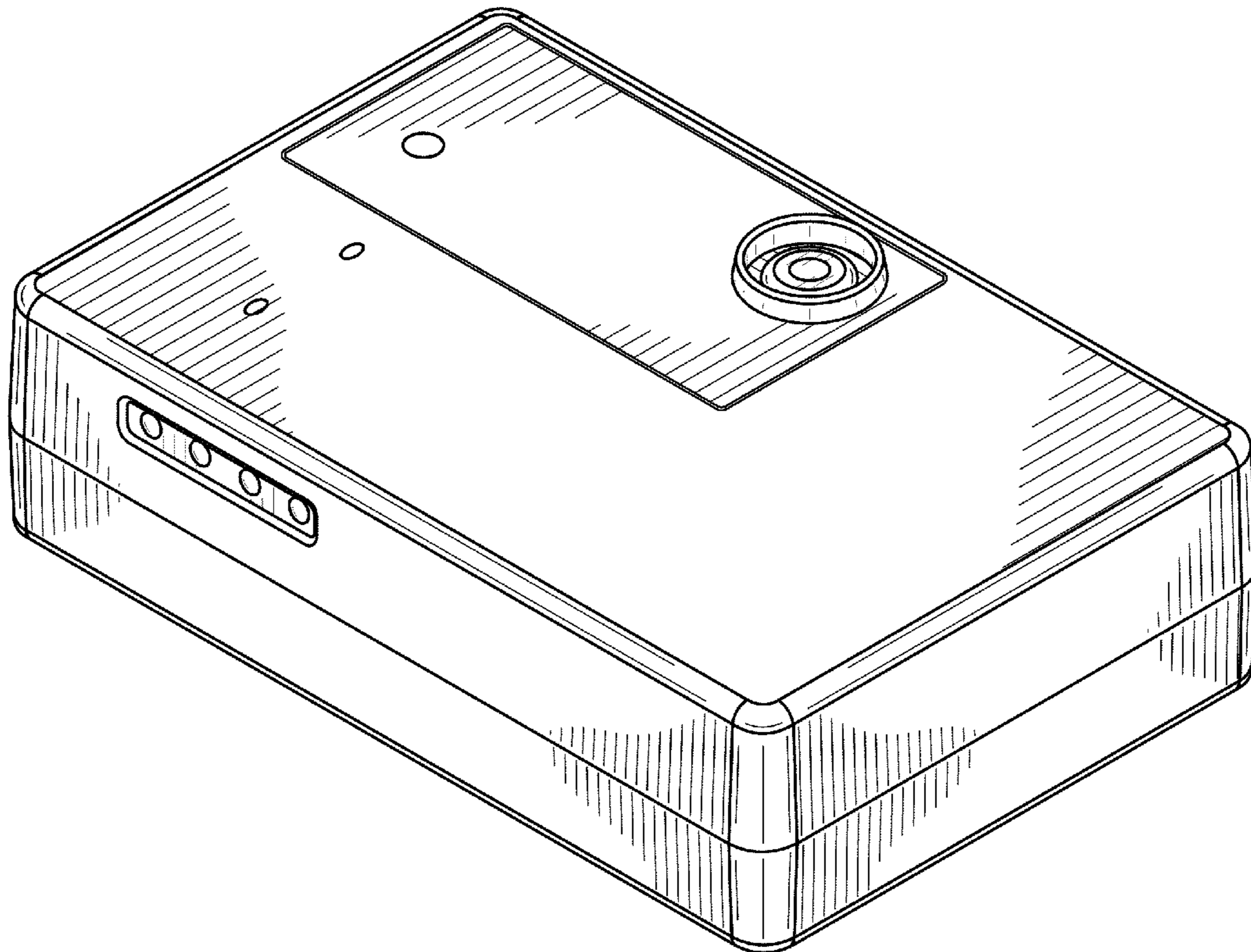
(56) **References Cited**

U.S. PATENT DOCUMENTS

D515,955 S *	2/2006	Edwards	D10/104.1
D574,270 S *	8/2008	Bell	D10/65
D609,122 S *	2/2010	Quinton	D10/65
D621,731 S *	8/2010	Goody et al.	D10/70
D635,043 S *	3/2011	Loadholt	D10/104.1

* cited by examiner

1 Claim, 6 Drawing Sheets



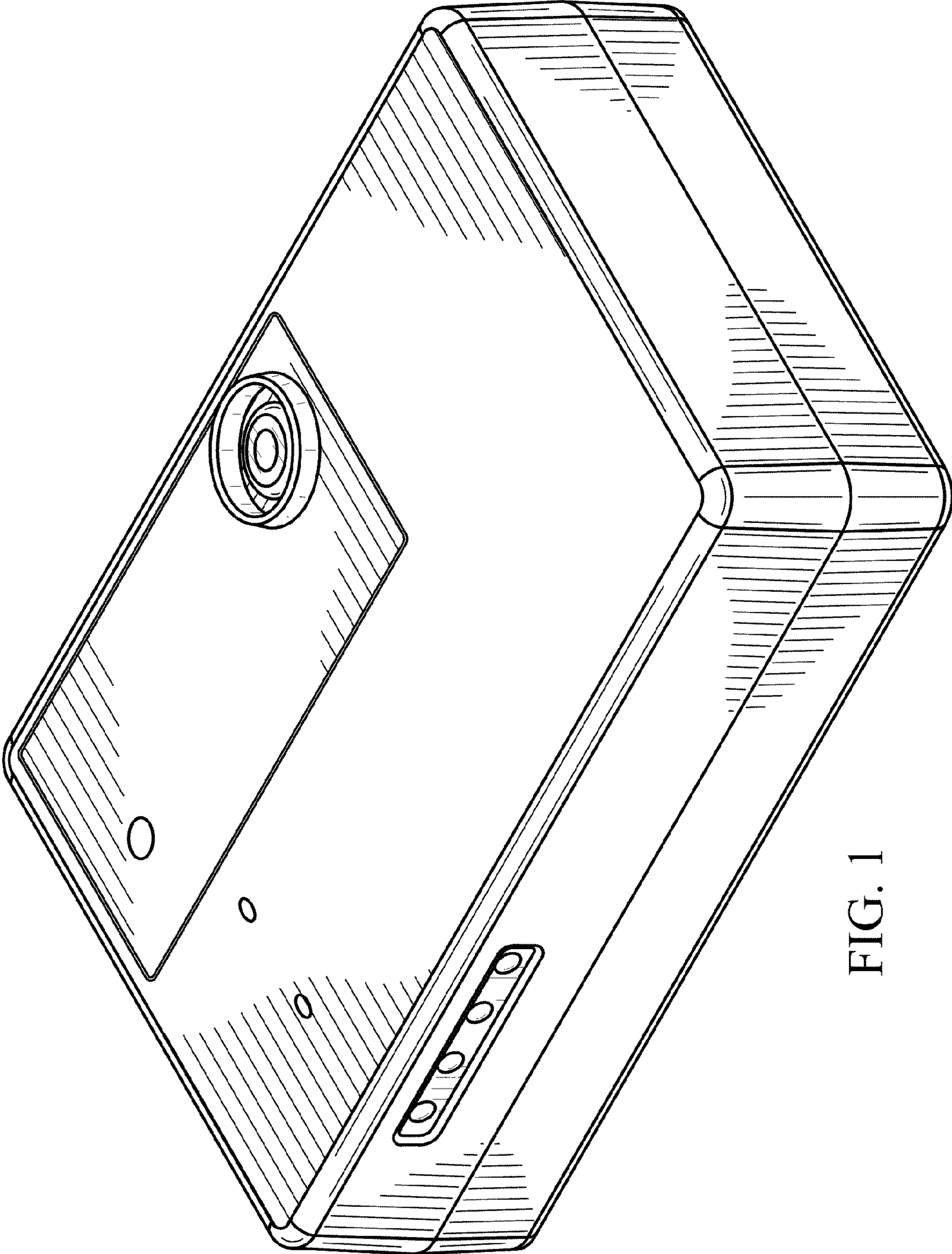


FIG. 1

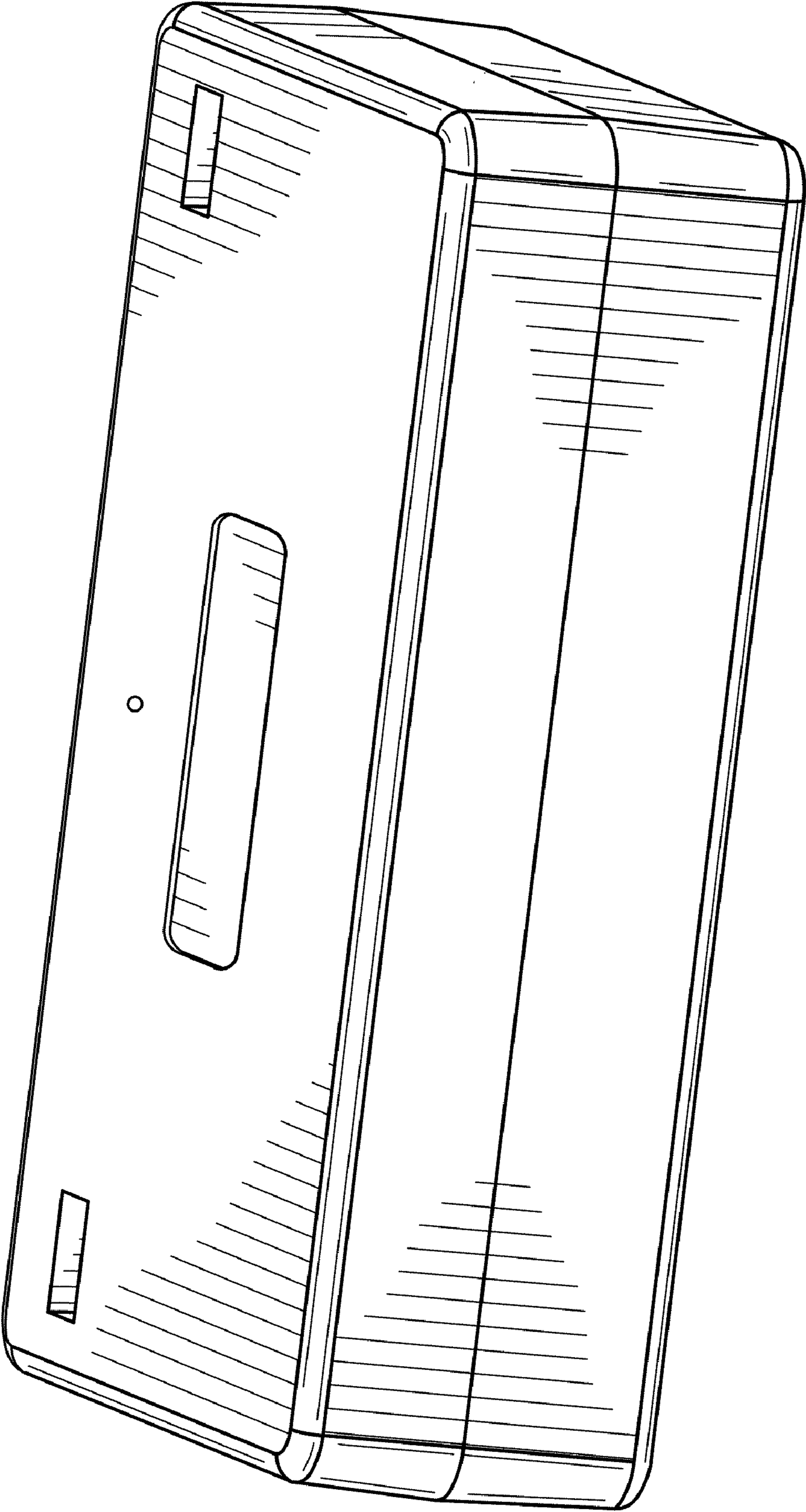


FIG. 2

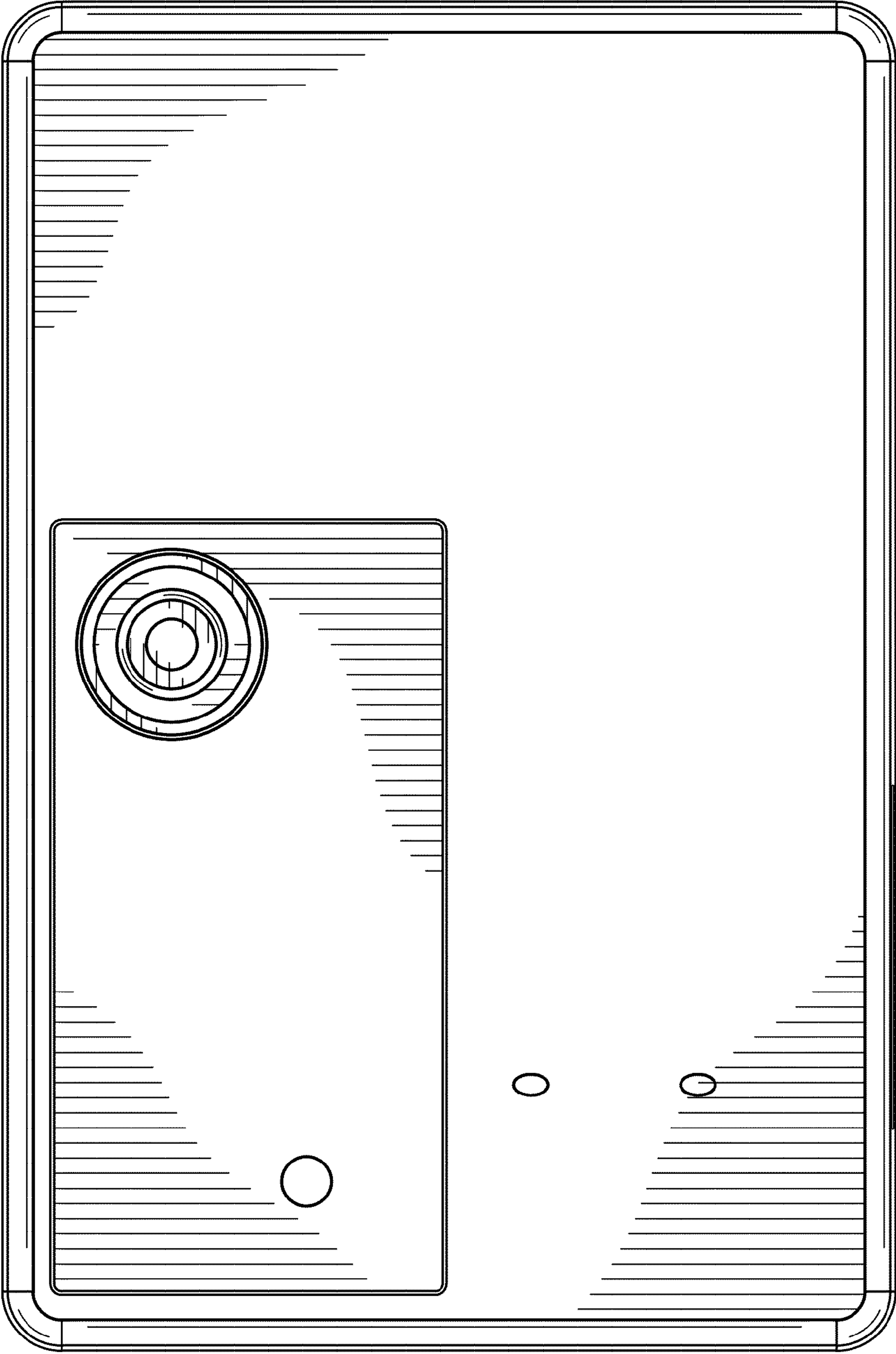


FIG. 3

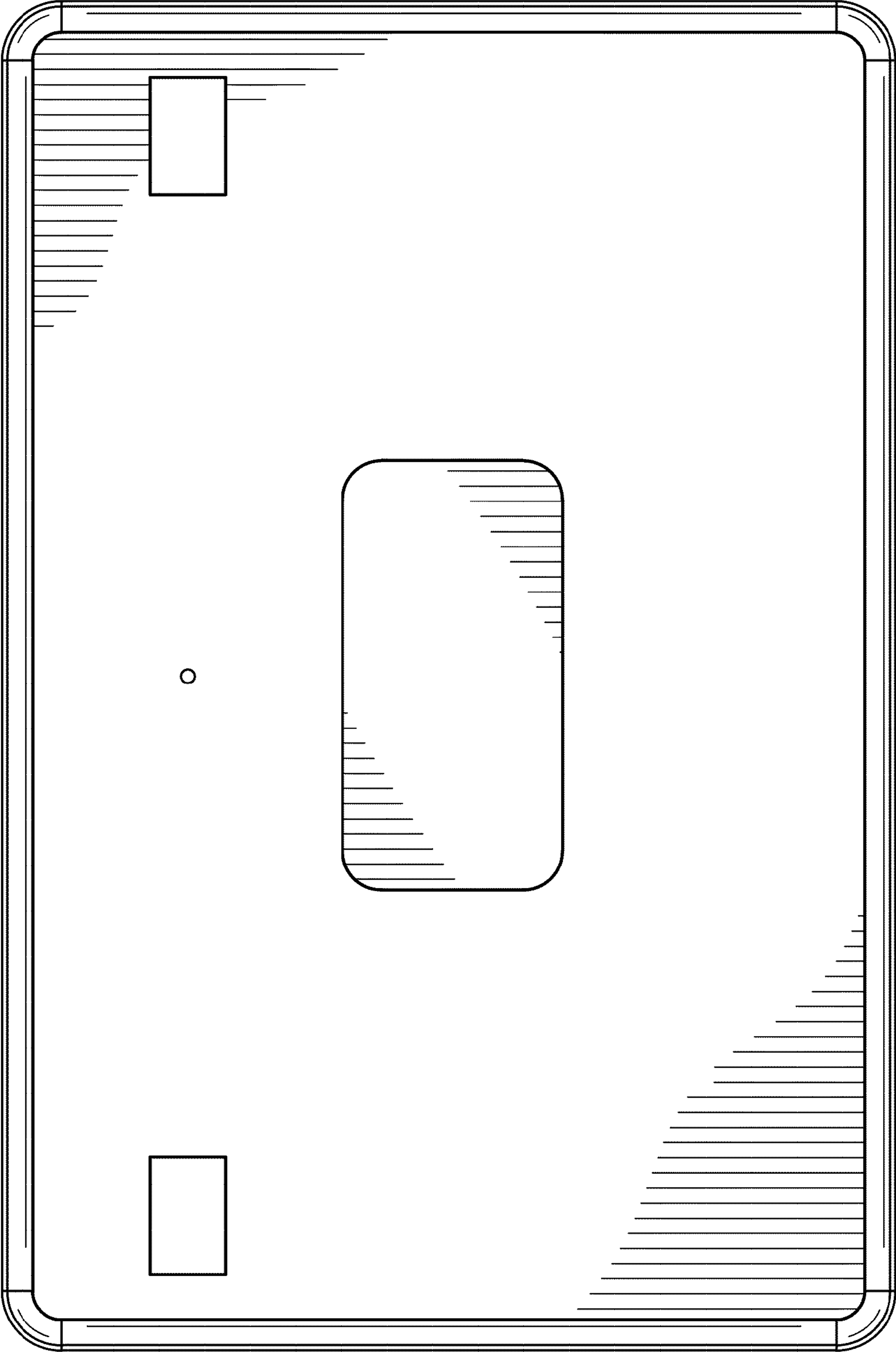


FIG. 4

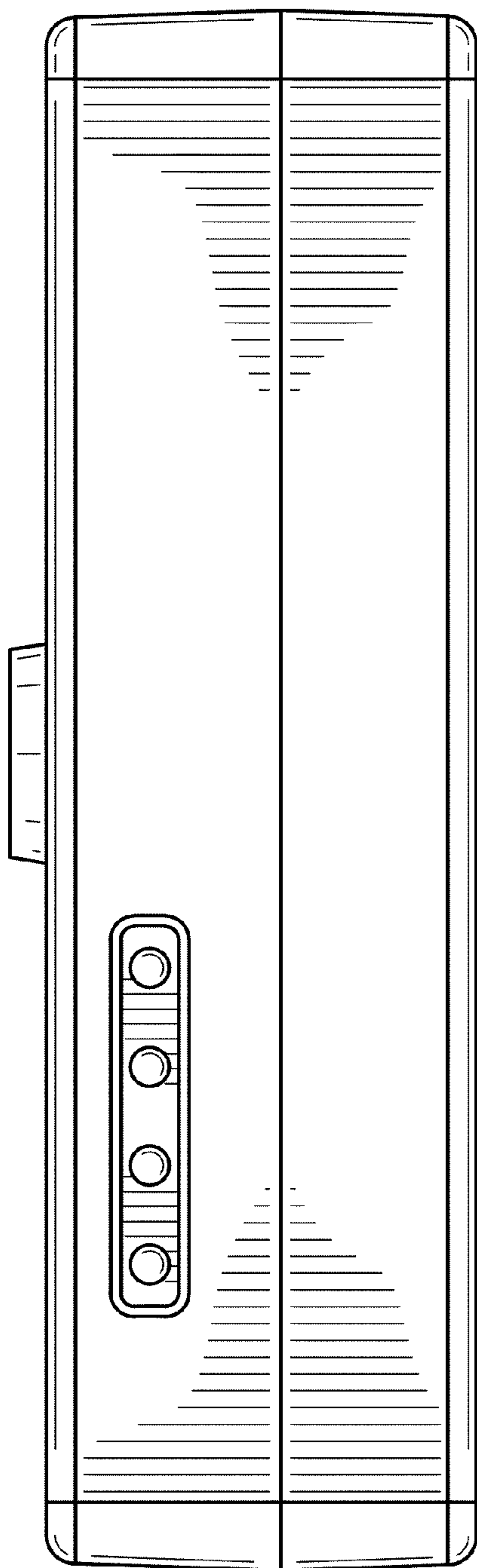


FIG. 5

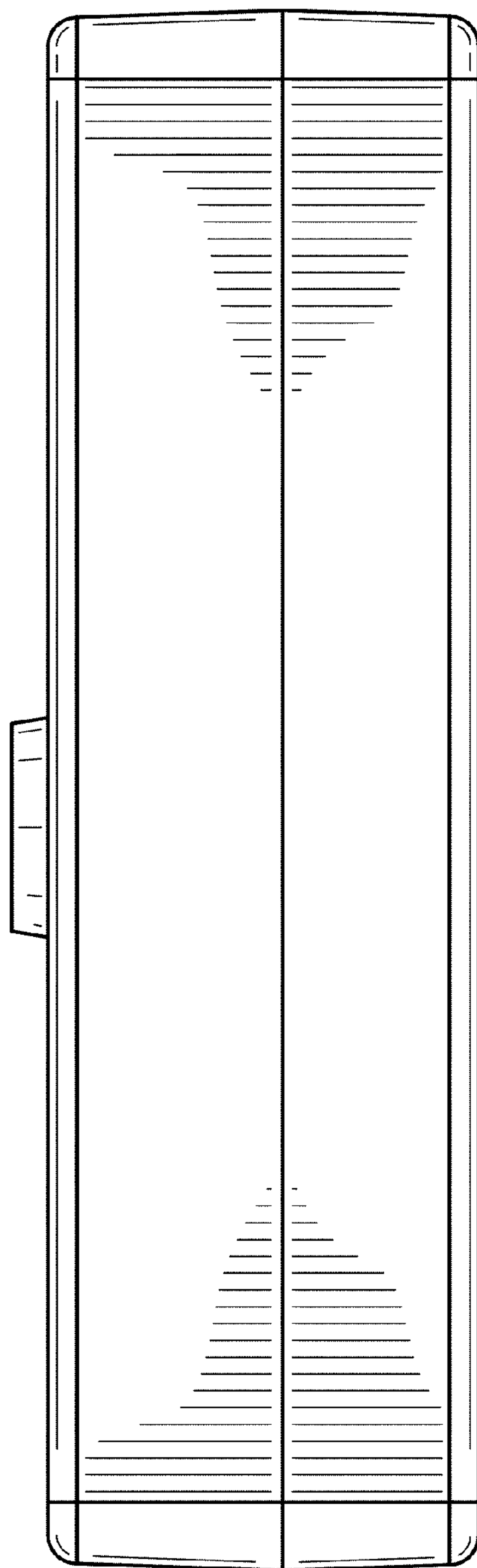


FIG. 6

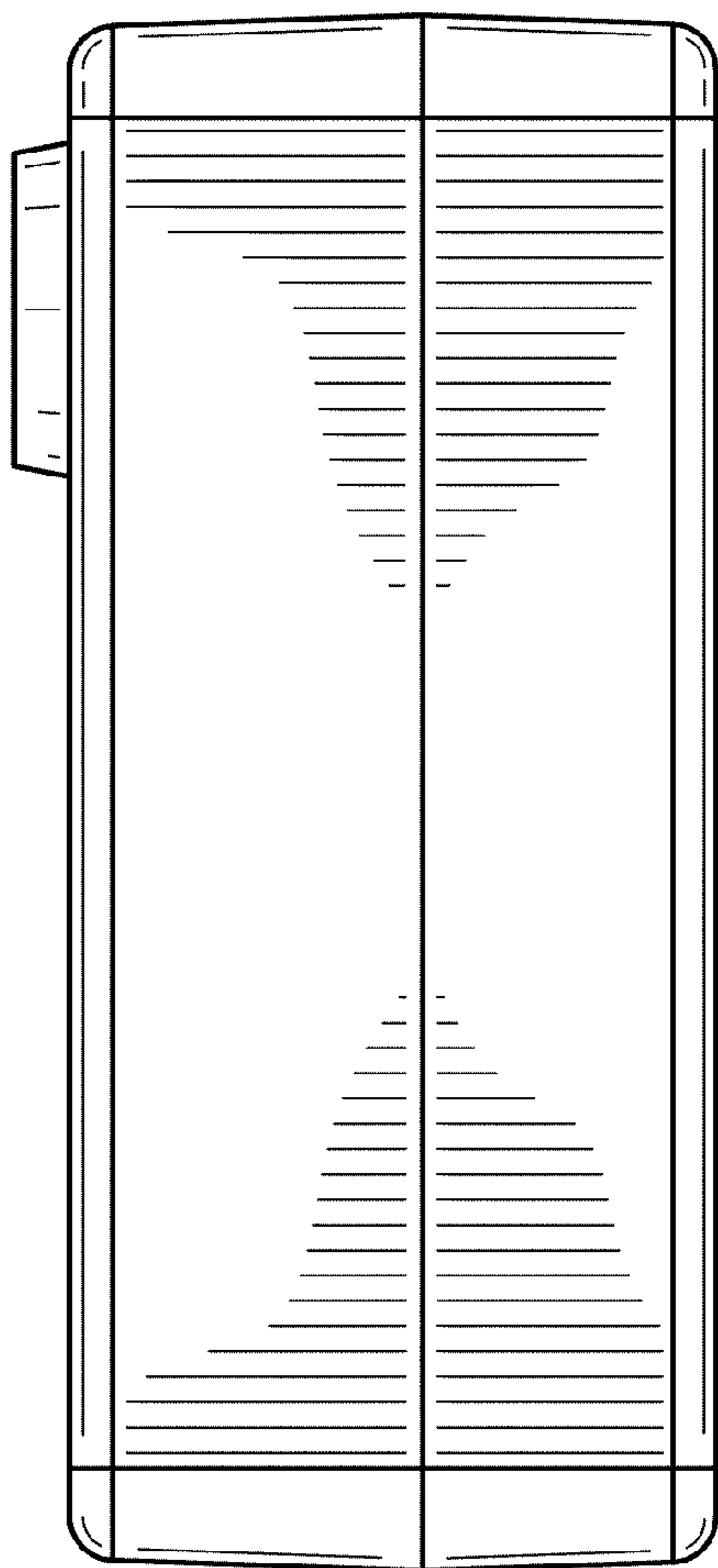


FIG. 7

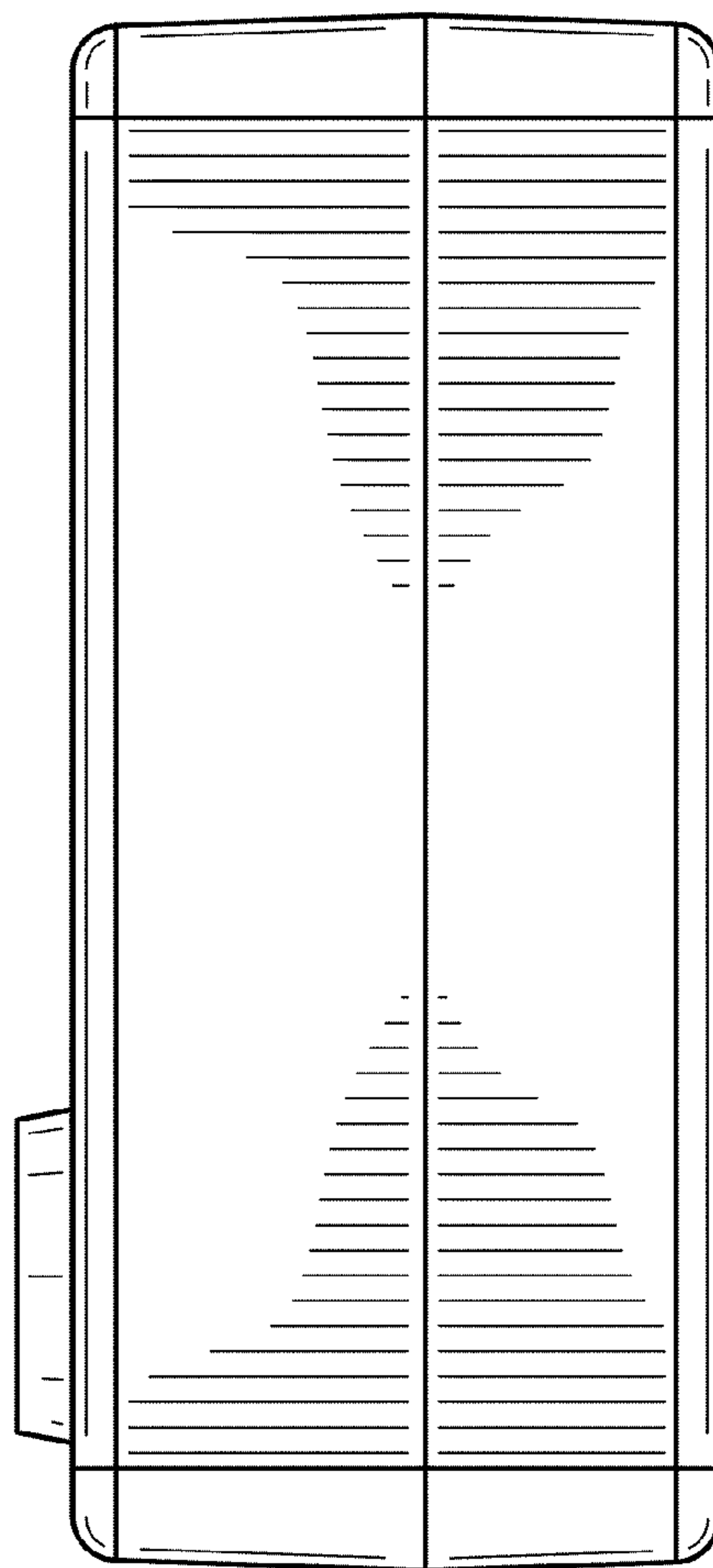


FIG. 8