

US00D655209S

(12) **United States Design Patent**
Wen

(10) **Patent No.:** **US D655,209 S**
(45) **Date of Patent:** **** Mar. 6, 2012**

(54) **VALVE UNIT**

(75) Inventor: **Chen Wei Wen**, Zhejiang Province (CN)

(73) Assignee: **Melnor, Inc.**, Winchester, VA (US)

(**) Term: **14 Years**

(21) Appl. No.: **29/365,277**

(22) Filed: **Jul. 7, 2010**

(51) **LOC (9) Cl.** **10-03**

(52) **U.S. Cl.** **D10/40**

(58) **Field of Classification Search** D23/233–237,
D23/244–250, 259; 251/38, 40, 84, 120,
251/236–238, 243; 137/315.08, 360, 390,
137/413–414, 549, 556; D10/40

See application file for complete search history.

(56) **References Cited**

U.S. PATENT DOCUMENTS

D431,195 S	*	9/2000	Clivio	D10/40
D604,189 S	*	11/2009	Leer et al.	D10/123
D604,190 S	*	11/2009	Leer et al.	D10/123
D642,077 S	*	7/2011	Nies et al.	D10/40
D647,411 S	*	10/2011	Barton et al.	D10/40

OTHER PUBLICATIONS

Orbit Irrigation Products, Inc. website: <http://www.orbitirrigation.com/products/Timers/01/04/04/437> Complete Yard Watering Kit Valve; copyright 2009.

* cited by examiner

Primary Examiner — Cathron C. Brooks

Assistant Examiner — Maurice Stevens

(74) *Attorney, Agent, or Firm* — Westerman, Hattori, Daniels & Adrian, LLP

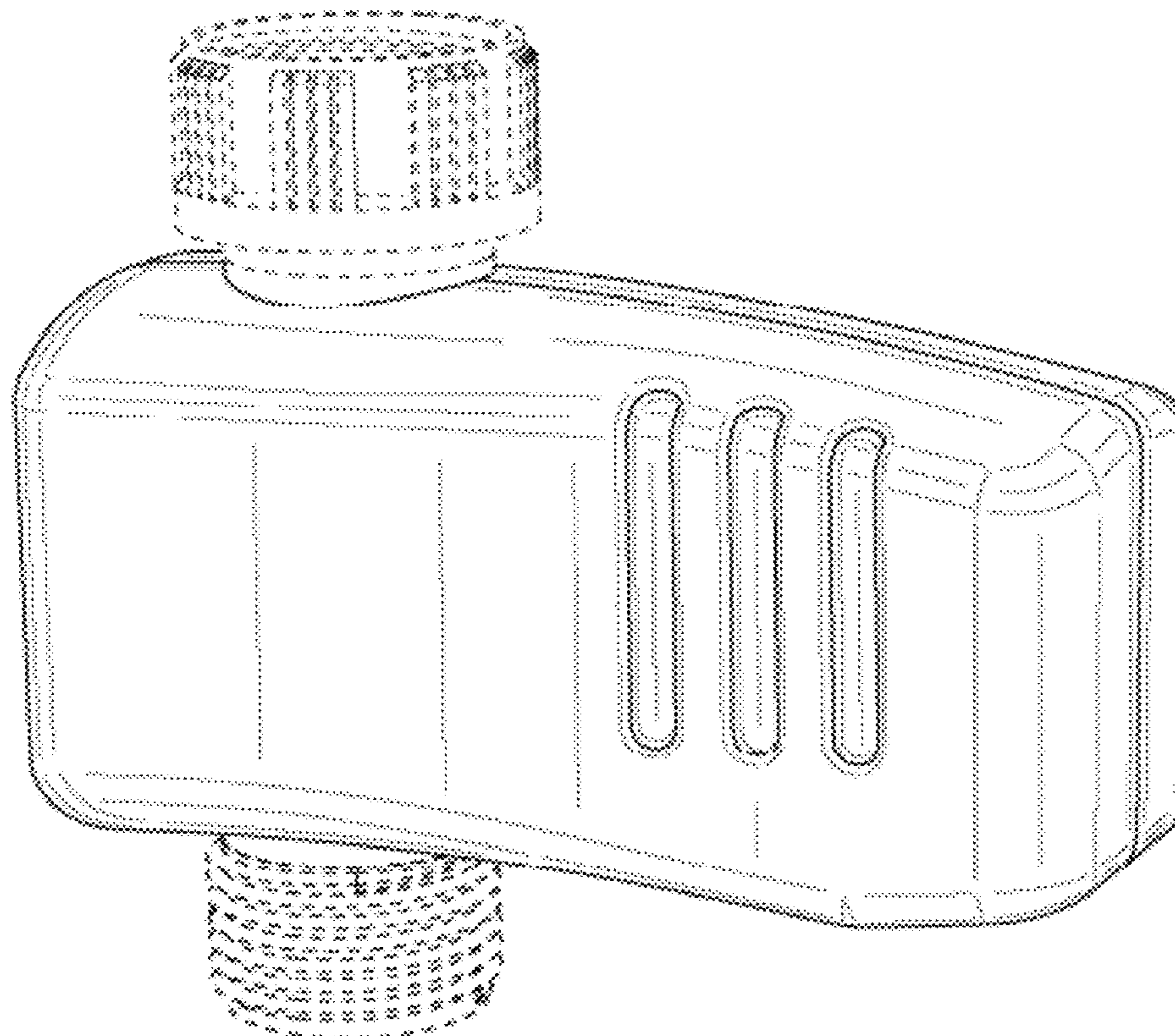
(57) **CLAIM**

The ornamental design for a valve unit, as shown and described.

DESCRIPTION

FIG. 1 is a perspective view of a valve unit;
FIG. 2 is a front view of the valve unit;
FIG. 3 is a rear view of the valve unit;
FIG. 4 is a top view of the valve unit;
FIG. 5 is a bottom view of the valve unit;
FIG. 6 is a left side view of the valve unit; and,
FIG. 7 is right side view of the valve unit.

1 Claim, 5 Drawing Sheets



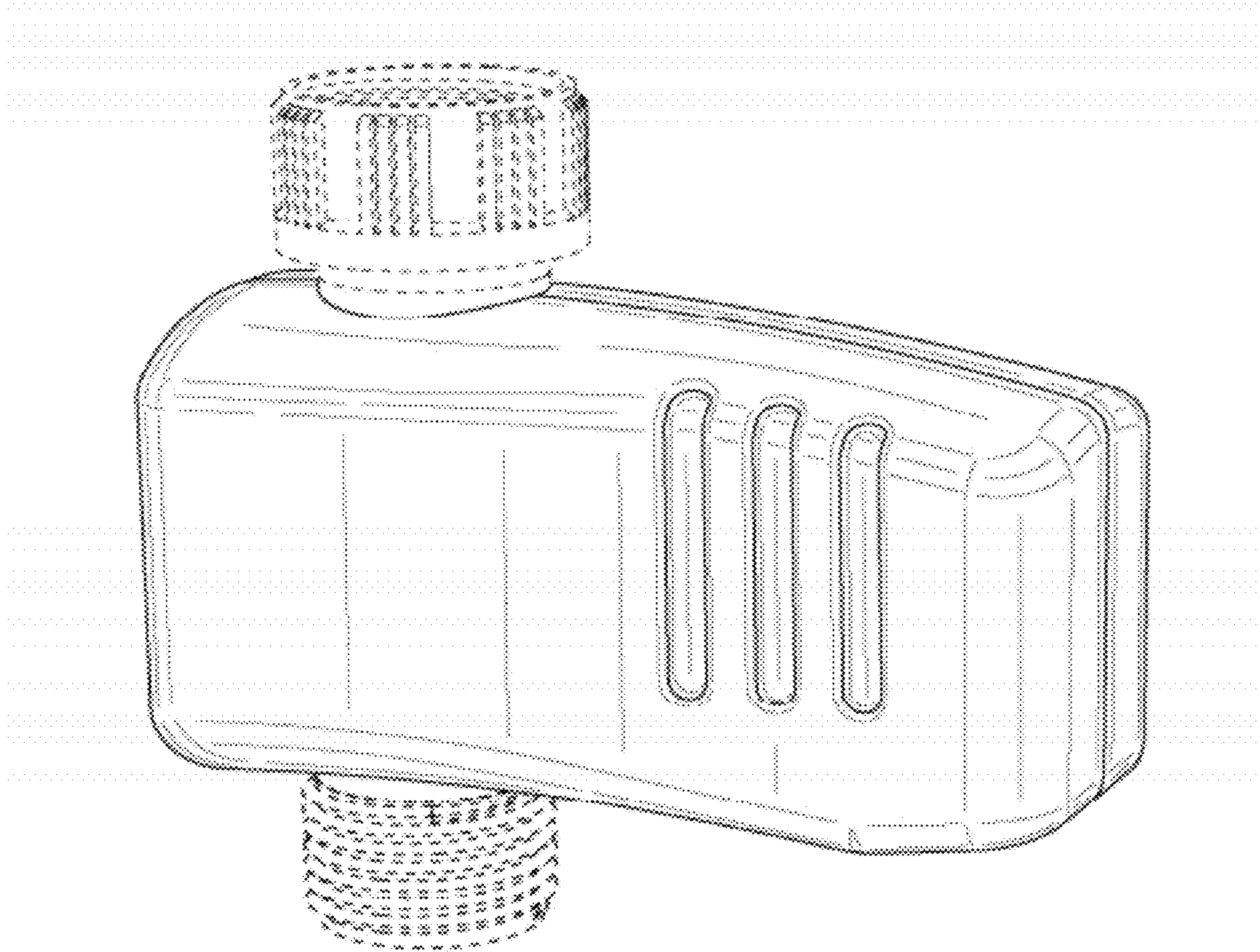


FIG. 1

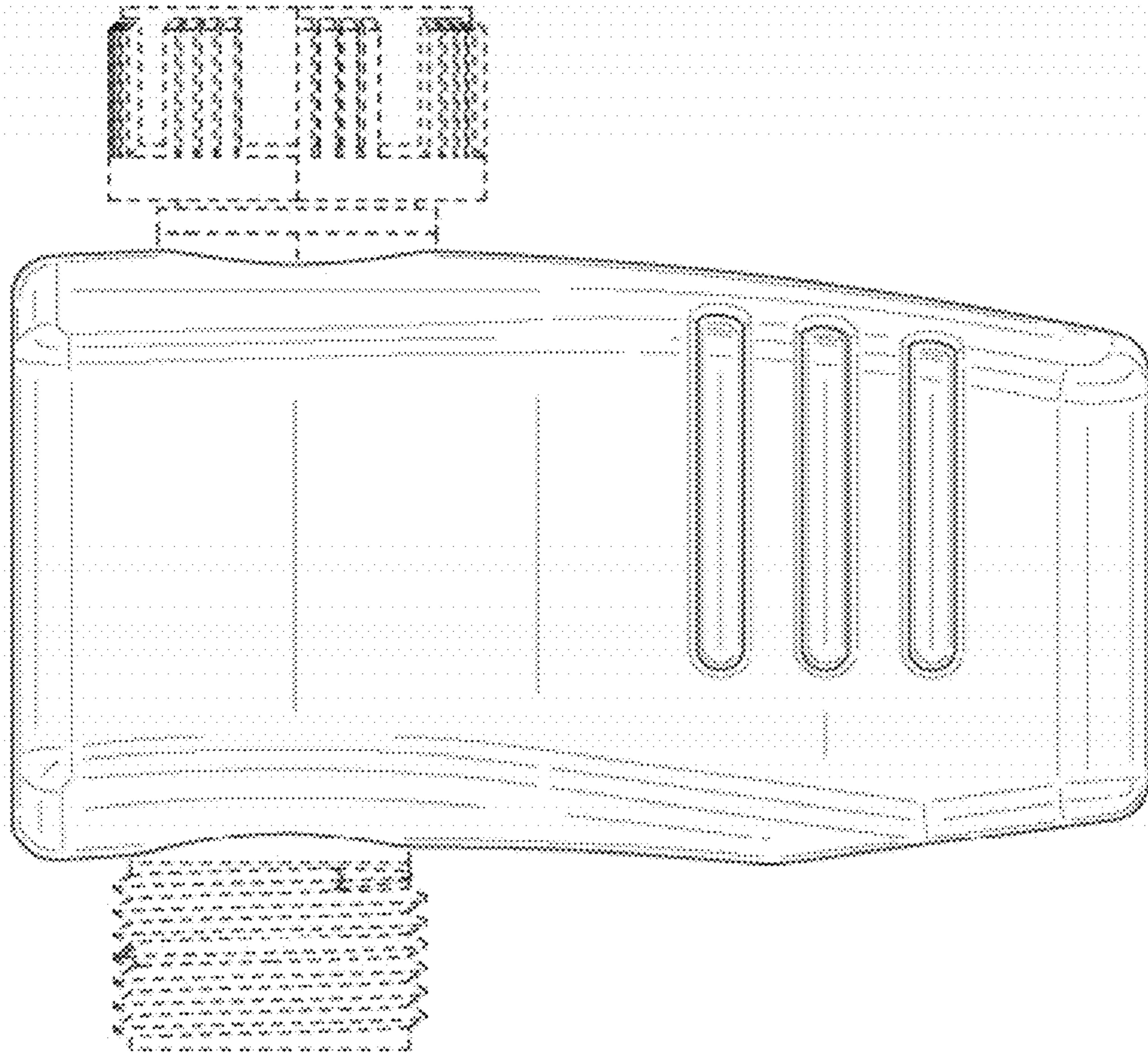


FIG.2

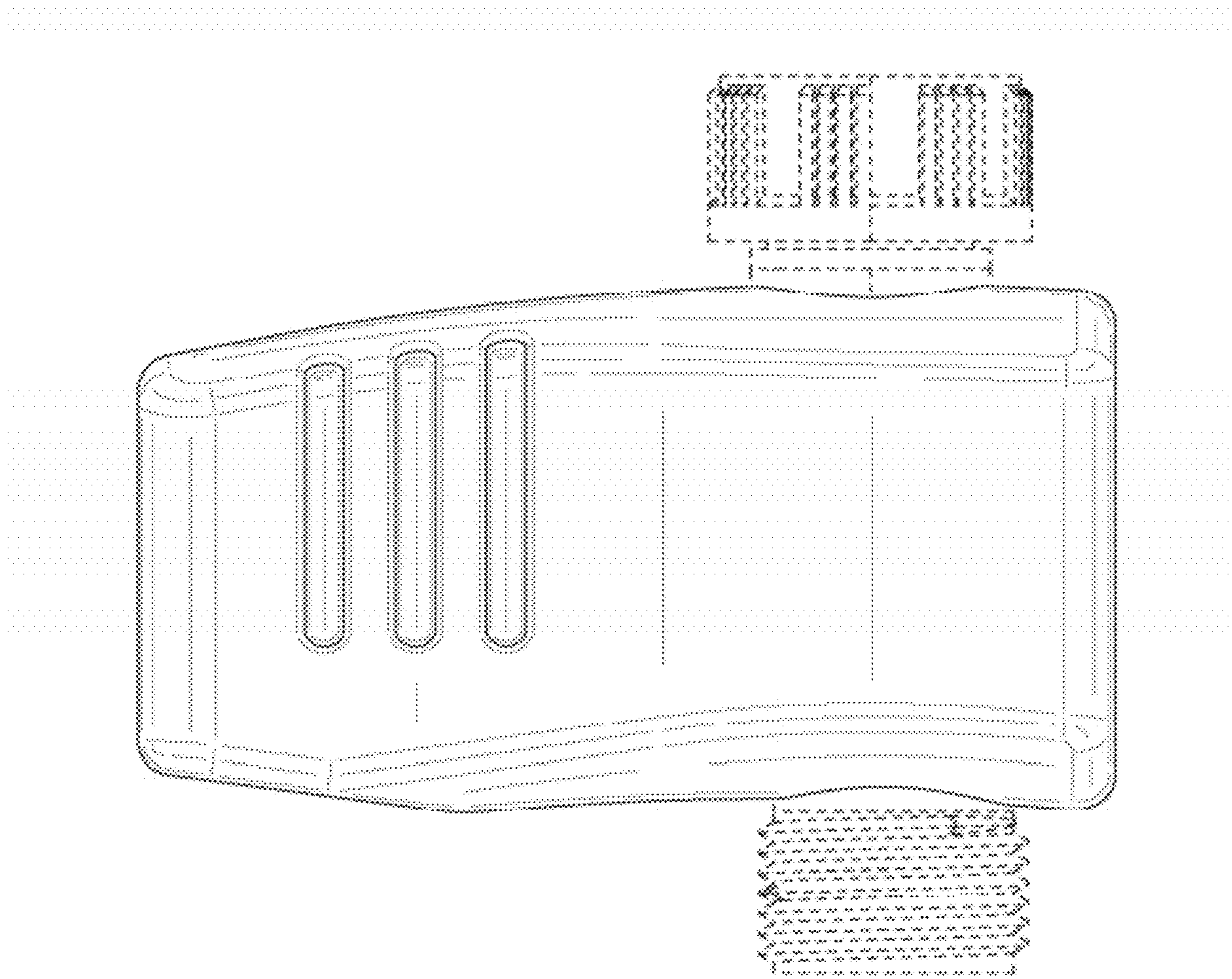


FIG.3

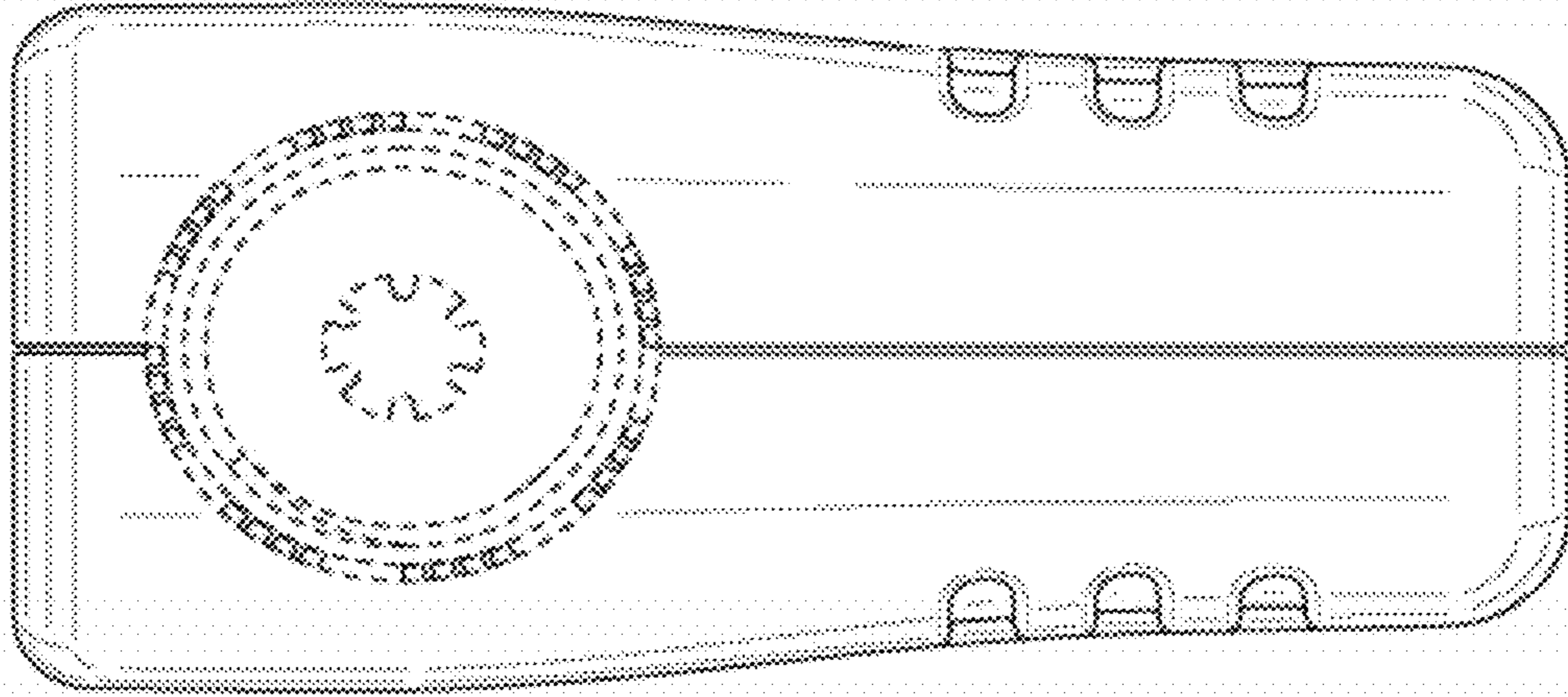


FIG. 4

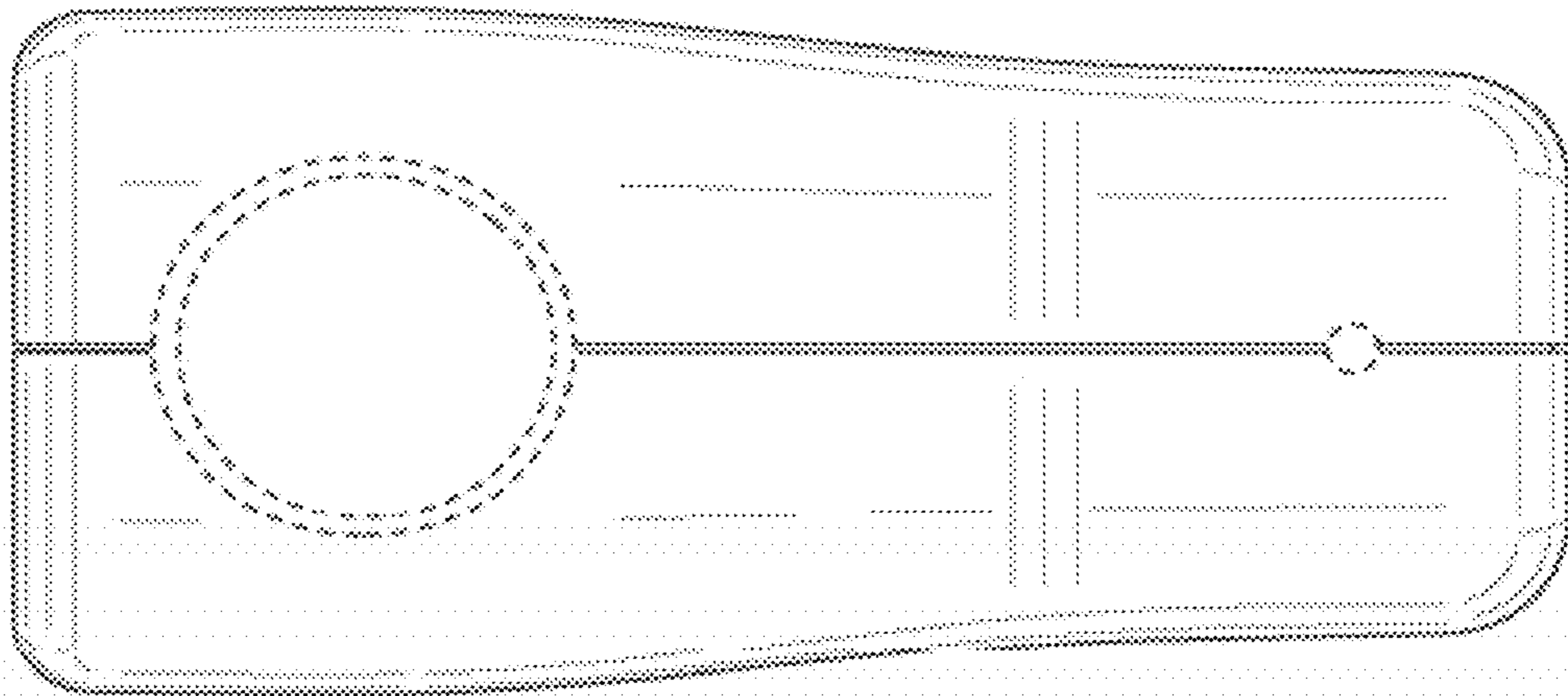


FIG. 5

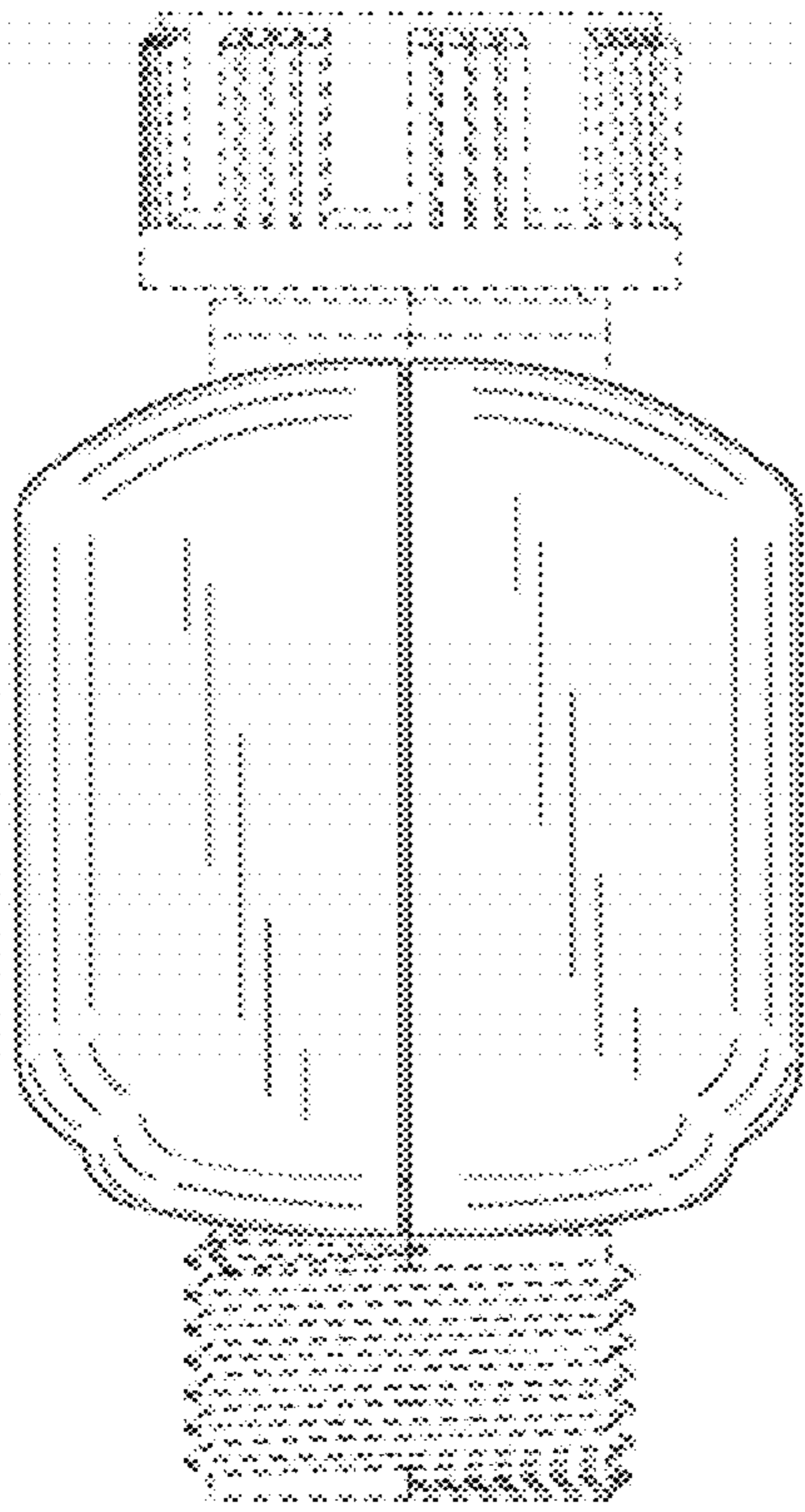


FIG. 6

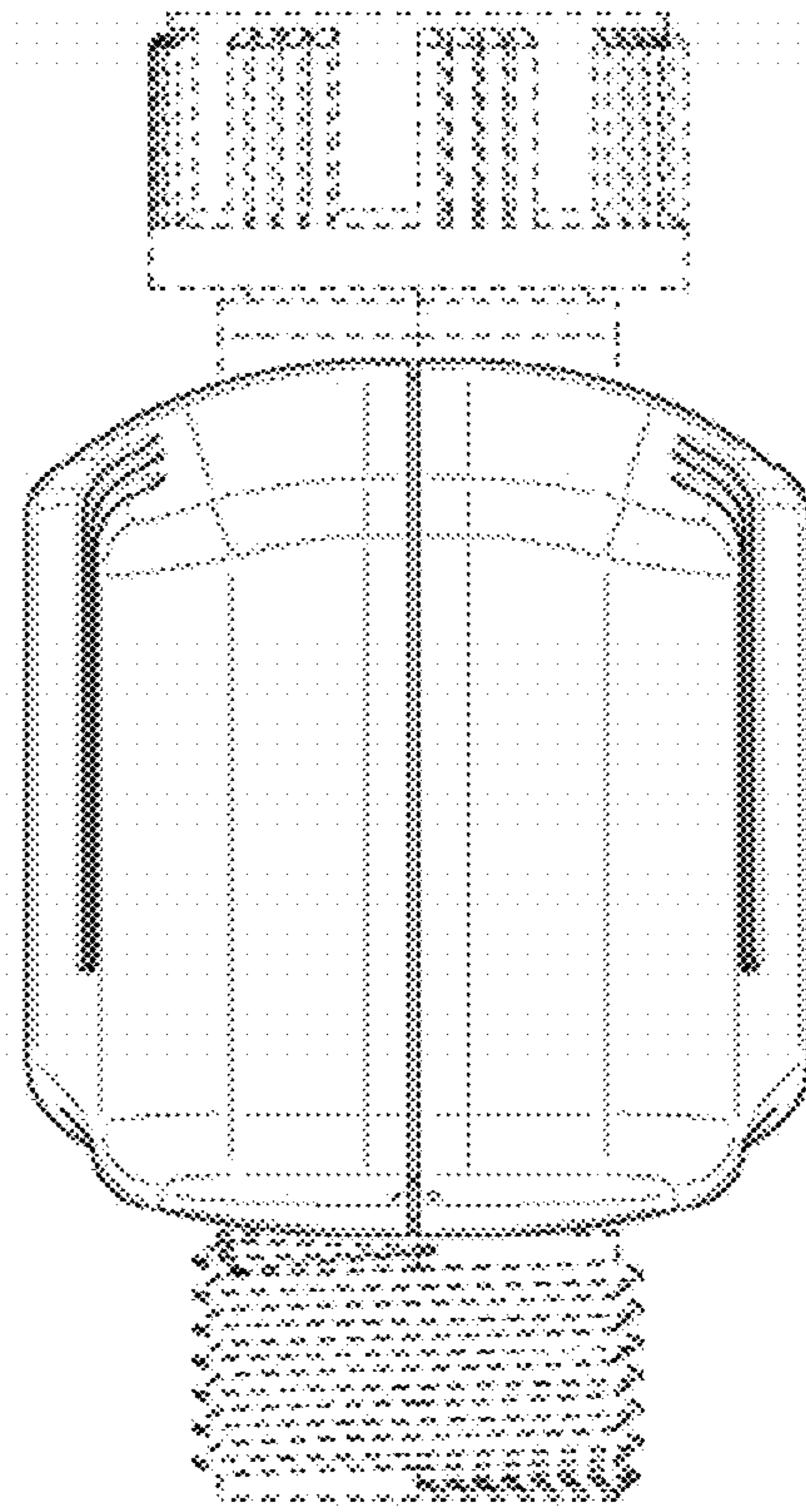


FIG. 7