



US00D655207S

(12) **United States Design Patent**  
**D'Agostino**

(10) **Patent No.:** **US D655,207 S**  
(45) **Date of Patent:** **\*\* Mar. 6, 2012**

(54) **BEVERAGE CUP CARRIER**  
(76) Inventor: **Robert J. D'Agostino**, New London, CT  
(US)  
(\*\*) Term: **14 Years**  
(21) Appl. No.: **29/370,747**  
(22) Filed: **Aug. 31, 2010**  
(51) **LOC (9) Cl.** ..... **09-03**  
(52) **U.S. Cl.** ..... **D9/753**  
(58) **Field of Classification Search** ..... D9/750-755;  
206/203, 217, 549, 510, 564; 229/406, 407;  
294/146, 159  
See application file for complete search history.

5,609,379 A \* 3/1997 Harrelson ..... 294/87.2  
5,713,619 A \* 2/1998 DuBois et al. .... 294/159  
5,803,264 A 9/1998 Gersten  
5,833,056 A 11/1998 Goldman  
D405,006 S \* 2/1999 Spencer ..... D9/753  
5,883,056 A \* 3/1999 Moulin et al. .... 508/393  
6,039,205 A \* 3/2000 Flink ..... 220/659  
6,076,876 A 6/2000 Letourneau  
D436,853 S \* 1/2001 Sussman ..... D9/755  
D438,100 S \* 2/2001 Cekota ..... D9/755  
D442,483 S 5/2001 Holden  
D457,425 S \* 5/2002 Petola et al. .... D9/761  
6,398,056 B1 \* 6/2002 Letourneau et al. .... 220/23.8  
D484,011 S \* 12/2003 Strobel et al. .... D7/706  
6,827,207 B1 \* 12/2004 Chen ..... 206/162  
D536,993 S \* 2/2007 Armstrong et al. .... D9/753  
7,225,927 B2 \* 6/2007 Sweeney ..... 206/564  
2007/0017827 A1 \* 1/2007 Urquhart et al. .... 206/162  
2008/0088144 A1 \* 4/2008 Crown ..... 294/146  
2009/0194437 A1 \* 8/2009 D'Agostino ..... 206/203  
2009/0211937 A1 \* 8/2009 Sharma et al. .... 206/515

\* cited by examiner

(56) **References Cited**

**U.S. PATENT DOCUMENTS**

2,802,597 A 3/1955 Davis  
3,055,542 A \* 9/1962 Russo ..... 206/163  
3,404,805 A \* 10/1968 Stockman et al. .... 206/144  
3,565,323 A 2/1971 Katzenmeyer  
3,587,915 A \* 6/1971 Theobald et al. .... 206/201  
D236,575 S \* 9/1975 Vigue ..... D7/553.4  
3,991,879 A \* 11/1976 Hirota ..... 206/203  
4,208,006 A 6/1980 Bixler  
D256,434 S \* 8/1980 O'Donnal ..... D3/309  
4,218,008 A 8/1980 Veilleux  
4,381,847 A \* 5/1983 Bessett et al. .... 229/406  
D280,669 S \* 9/1985 Hammeke ..... D3/308  
D280,773 S \* 9/1985 Addy et al. .... D3/309  
D302,122 S \* 7/1989 Ashby ..... D7/553.5  
D314,279 S \* 2/1991 Hotchkiss ..... D3/309  
5,096,065 A 3/1992 Vigue

*Primary Examiner* — Mark Goodwin

(74) *Attorney, Agent, or Firm* — Mike E. Pochal

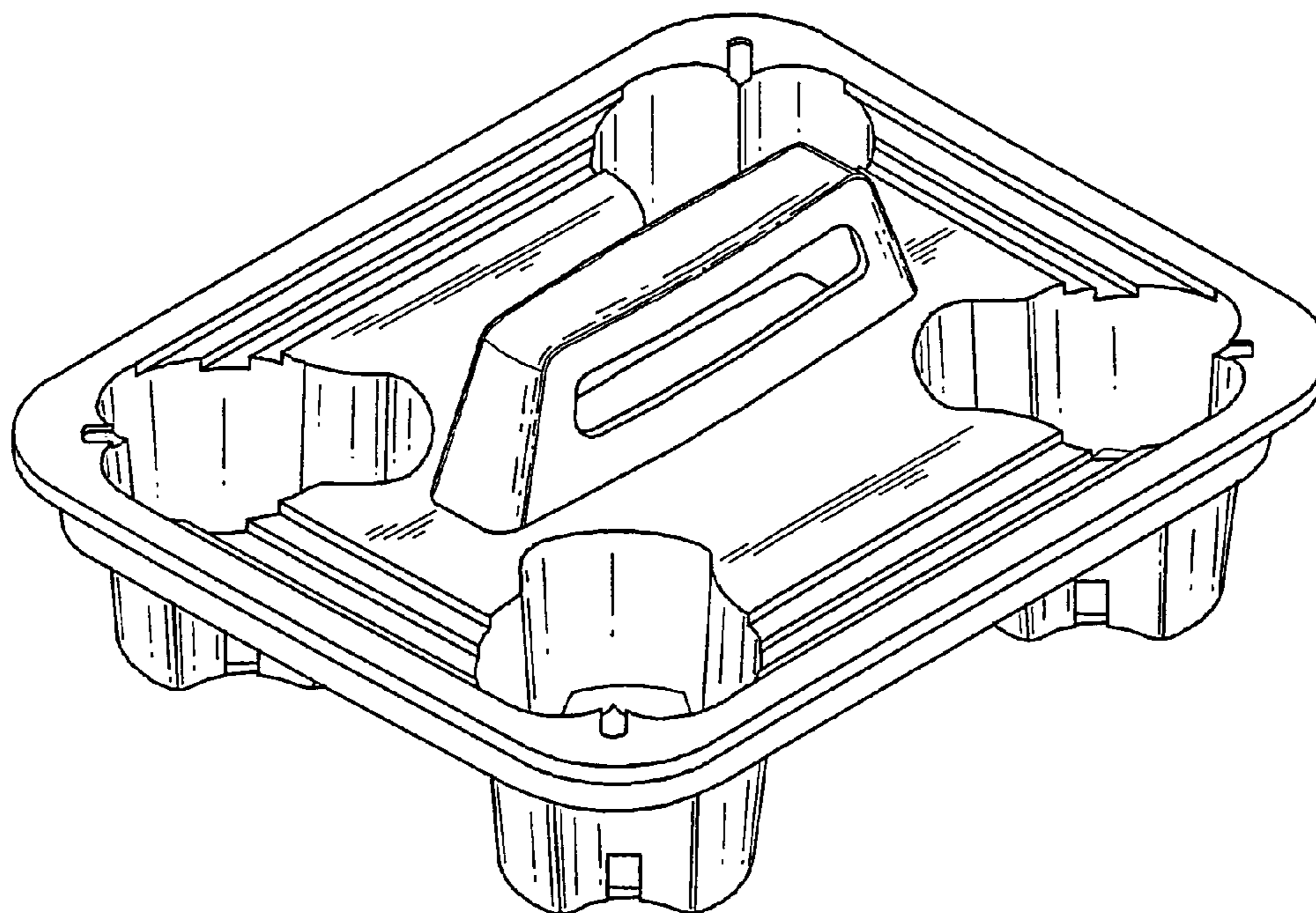
(57) **CLAIM**

The ornamental design for a beverage cup carrier, as shown and described.

**DESCRIPTION**

FIG. 1 is a top front perspective view thereof;  
FIG. 2 is a top plan view thereof; and,  
FIG. 3 is a bottom plan view thereof.

**1 Claim, 2 Drawing Sheets**



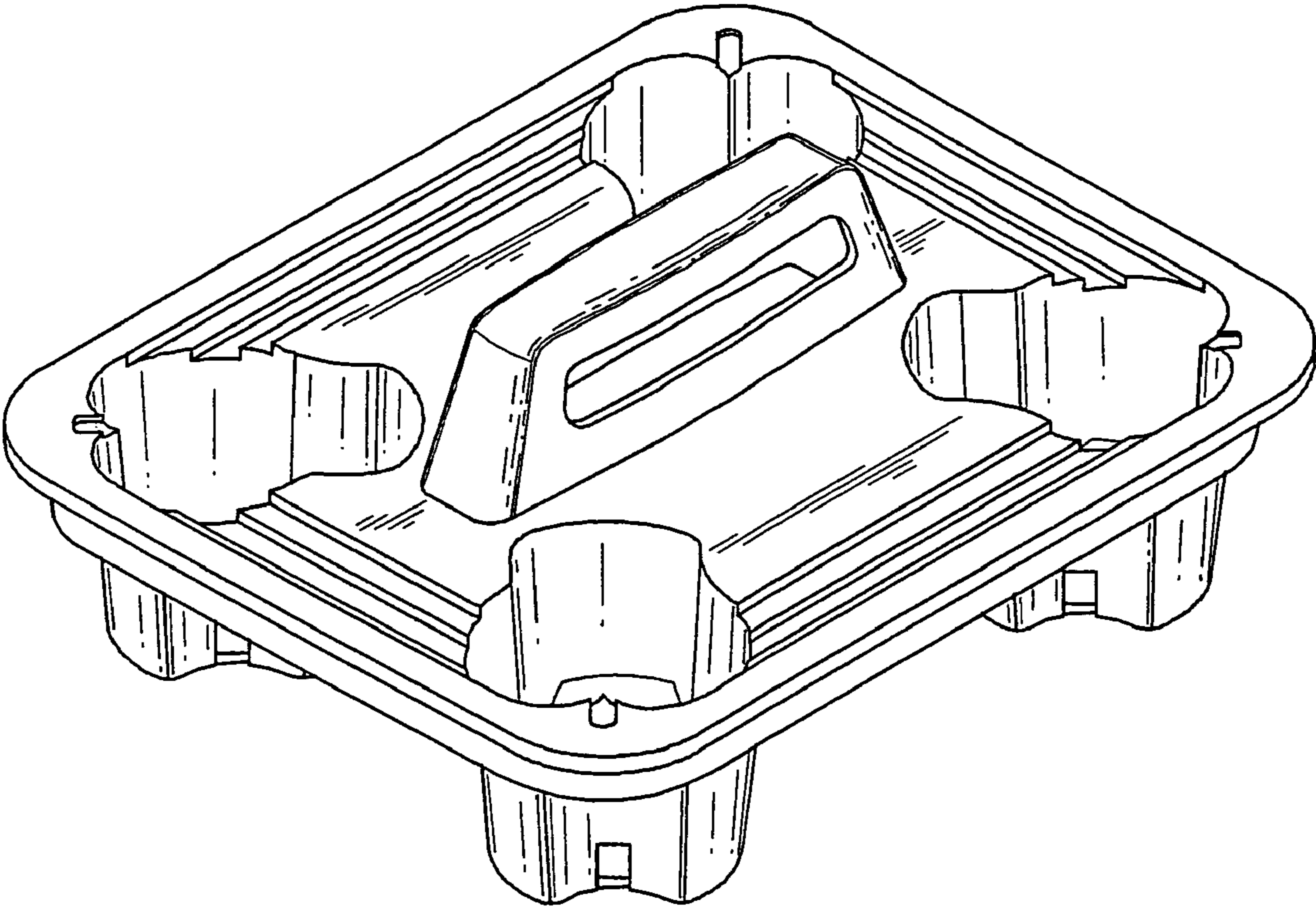
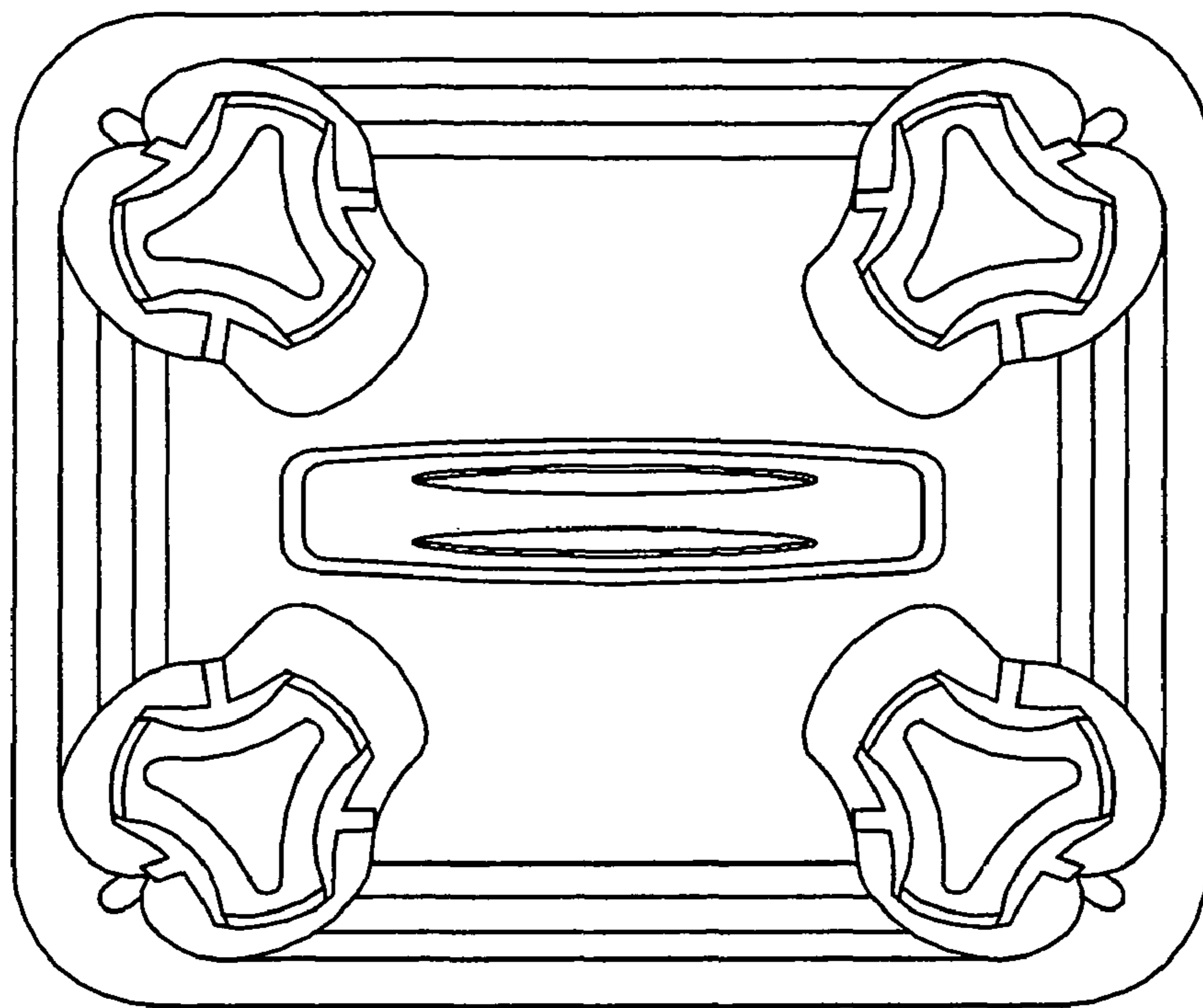
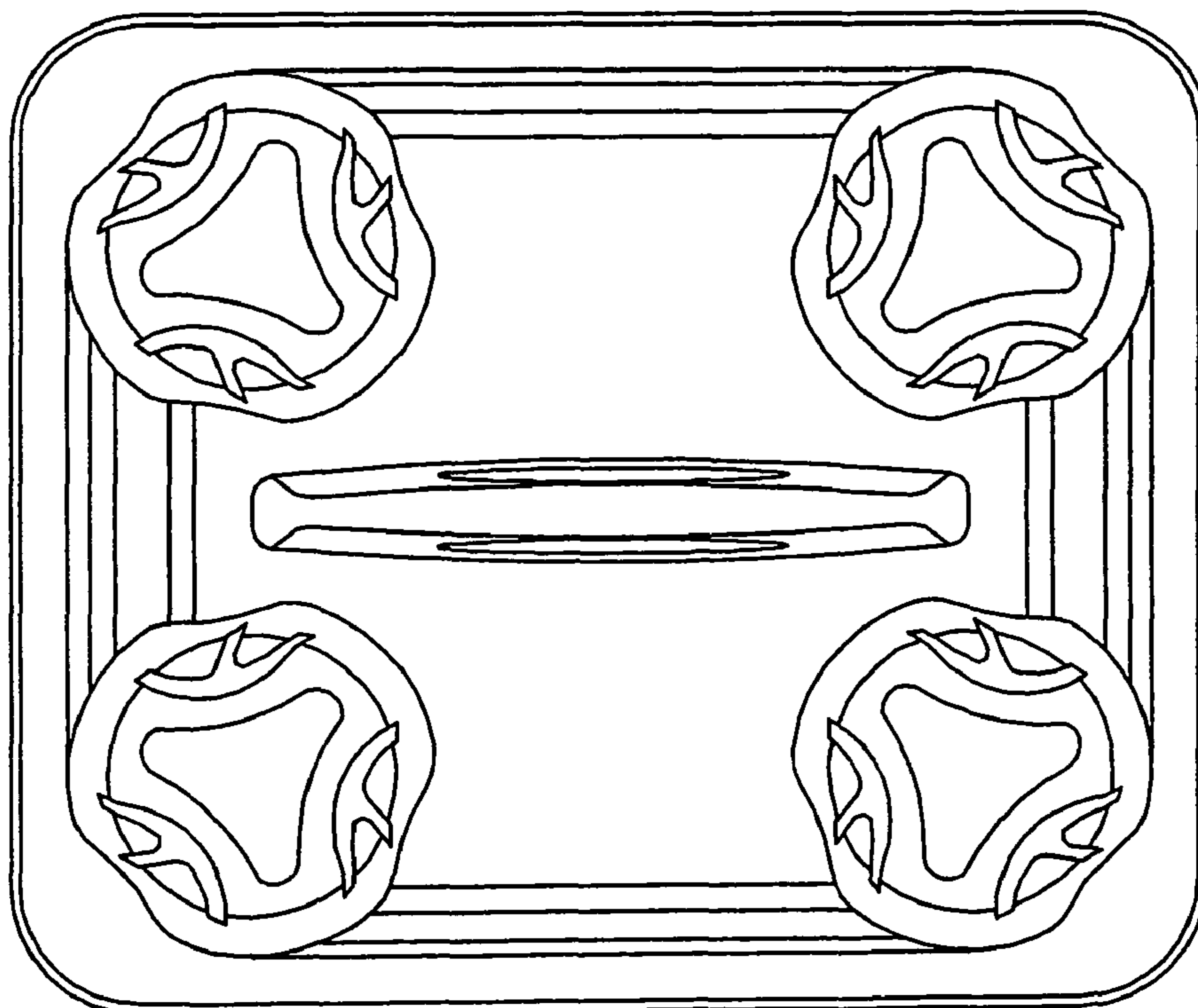


FIG. 1



*FIG. 2*



*FIG. 3*