



US00D655206S

(12) **United States Design Patent**
Nottingham et al.

(10) **Patent No.:** **US D655,206 S**
(45) **Date of Patent:** **** Mar. 6, 2012**

(54) **SAFETY RAZOR TRAY**

(75) Inventors: **John W. Nottingham**, Bratenahl, OH (US); **Jason G. Tilk**, Cleveland Heights, OH (US)

(73) Assignee: **Avery Dennison Corporation**, Pasadena, CA (US)

(**) Term: **14 Years**

(21) Appl. No.: **29/383,726**

(22) Filed: **Jan. 21, 2011**

(51) **LOC (9) Cl.** **09-03**

(52) **U.S. Cl.** **D9/749**

(58) **Field of Classification Search** D9/749,
D9/737, 748, 415; D6/526, 512; D3/201,
D3/205; 206/349, 228, 244, 252, 775, 208,
206/493, 354-360, 352; 30/514

See application file for complete search history.

(56) **References Cited**

U.S. PATENT DOCUMENTS

D159,807	S	*	8/1950	Hanson	D6/526
D256,995	S	*	9/1980	Kiraly	D9/749
D258,270	S	*	2/1981	Gray	D9/749
4,373,628	A	*	2/1983	Dantes	206/349
D313,175	S	*	12/1990	Motta et al.	D9/721
D320,342	S	*	10/1991	Gray	D9/749
5,457,887	A	*	10/1995	Grange	30/541
D364,060	S	*	11/1995	Lai	D6/526
D370,844	S	*	6/1996	Shurtleff et al.	D9/749
D373,444	S	*	9/1996	Shurtleff et al.	D28/48
5,782,346	A	*	7/1998	Gray et al.	206/228
D399,421	S	*	10/1998	Gray	D9/749
D401,145	S	*	11/1998	Gray	D9/749
D409,799	S	*	5/1999	Prochaska	D28/73
5,903,978	A	*	5/1999	Prochaska et al.	30/34.05
6,052,903	A	*	4/2000	Metcalf et al.	30/40.2

(Continued)

(74) *Attorney, Agent, or Firm* — Avery Dennison Corporation

(57) **CLAIM**

The ornamental design for a safety razor tray, as shown and described.

DESCRIPTION

FIG. 1 is a top front perspective view of a safety razor tray showing our new design;

FIG. 2 is a front elevation view of the safety razor tray shown in FIG. 1;

FIG. 3 is a rear elevation view of the safety razor tray shown in FIG. 1;

FIG. 4 is a left side elevation view of the safety razor tray shown in FIG. 1;

FIG. 5 is a right side elevation view of the safety razor tray shown in FIG. 1;

FIG. 6 is a top plan view of the safety razor tray shown in FIG. 1; and

FIG. 7 is a bottom plan view of the safety razor tray shown in FIG. 1.

FIG. 8 is a first perspective view of a safety razor tray showing another embodiment of our new design with a selectively moveable leg in a first retracted position;

FIG. 9 is a second perspective view of the safety razor tray shown in FIG. 8 with the movable leg in a second deployed position allowing the tray to stand upright on its rear end;

FIG. 10 is a front elevation view of the safety razor tray shown in FIG. 8;

FIG. 11 is a rear elevation view of the safety razor tray shown in FIG. 8;

FIG. 12 is a side elevation view of the safety razor tray shown in FIG. 8;

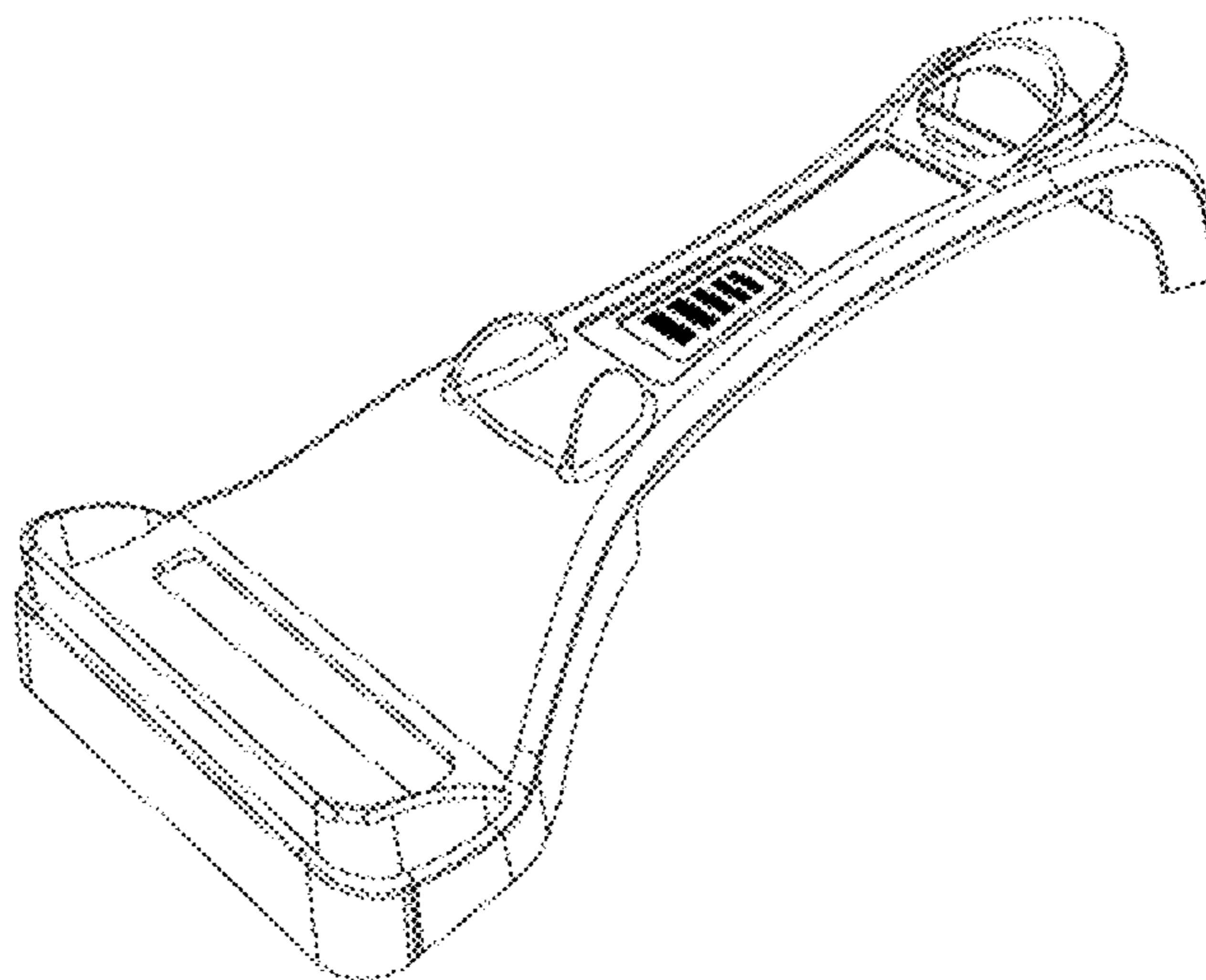
FIG. 13 is a side elevation view of the safety razor tray shown in FIG. 9;

FIG. 14 is a top plan view of the safety razor tray shown in FIG. 8; and,

FIG. 15 is a bottom plan view of the safety razor tray shown in FIG. 8.

Primary Examiner — Mark Goodwin

1 Claim, 15 Drawing Sheets



US D655,206 S

Page 2

U.S. PATENT DOCUMENTS

6,192,586	B1 *	2/2001	Metcalf et al.	30/47	D571,591	S *	6/2008	Ramm et al.	D6/526
6,415,517	B1 *	7/2002	Worrick, III	30/541	D572,150	S *	7/2008	Stowers et al.	D9/749
6,499,595	B1 *	12/2002	Petricca	206/356	D592,955	S *	5/2009	Schulz et al.	D9/456
D494,796	S *	8/2004	Dansreau et al.	D6/526	D594,762	S *	6/2009	Stowers et al.	D9/749
D511,105	S *	11/2005	Dominesey et al.	D9/748	D596,434	S *	7/2009	Micinilio et al.	D6/526
7,040,024	B2 *	5/2006	Lukan et al.	30/541	D596,953	S *	7/2009	Wonderley et al.	D9/749
D524,169	S *	7/2006	Dansreau et al.	D9/749	D614,507	S *	4/2010	Lukan et al.	D9/749
D533,380	S *	12/2006	Dansreau et al.	D6/526	D622,160	S *	8/2010	Bridges	D9/749
D533,466	S *	12/2006	Wonderley et al.	D9/749	D628,496	S *	12/2010	Wonderley et al.	D9/749
D534,815	S *	1/2007	White	D9/749	D630,527	S *	1/2011	Wonderley et al.	D9/749
7,159,324	B2 *	1/2007	Worrick, III	30/541	D633,398	S *	3/2011	Stowers et al.	D9/749
D540,191	S *	4/2007	Ramm et al.	D9/749	D634,649	S *	3/2011	Wonderley et al.	D9/749
D546,199	S *	7/2007	Gray et al.	D9/749	2006/0037197	A1 *	2/2006	Hawes et al.	30/45
D558,606	S *	1/2008	Watson et al.	D9/749	2007/0007155	A1 *	1/2007	Foster	206/351
D561,610	S *	2/2008	Renaldi et al.	D9/749	2011/0119923	A1 *	5/2011	Nicoll et al.	30/34.05

* cited by examiner

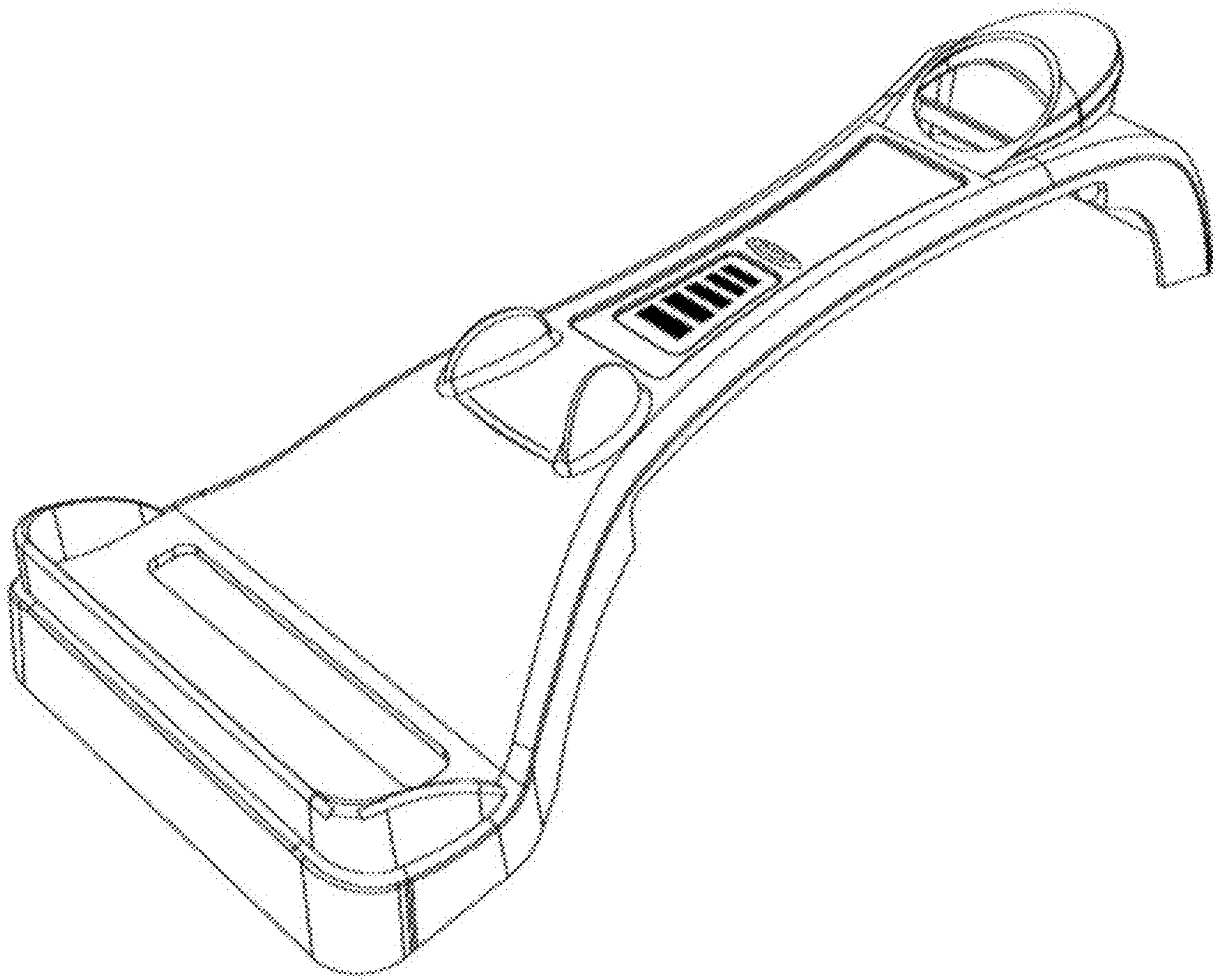


FIG. 1

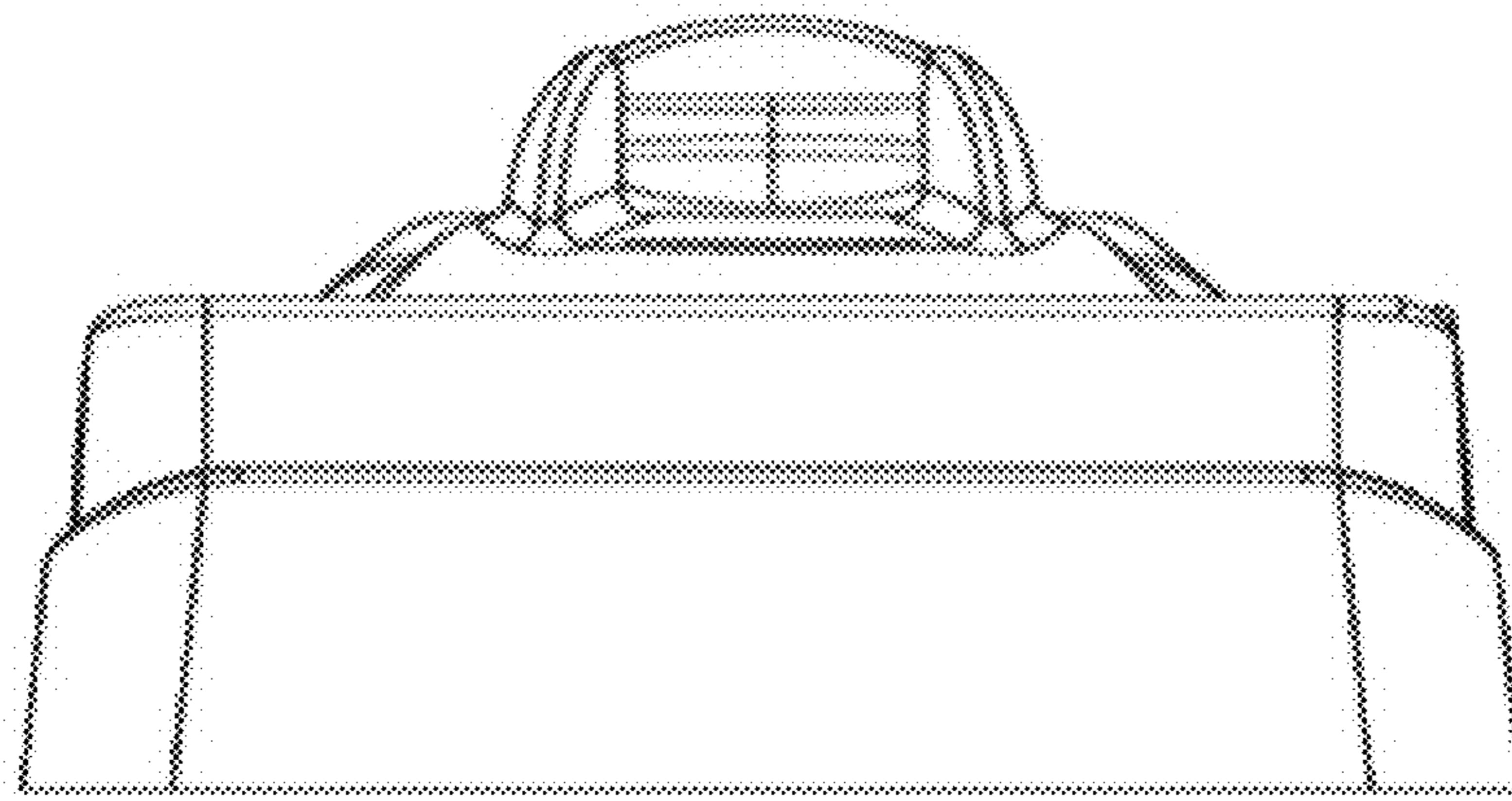


FIG. 2

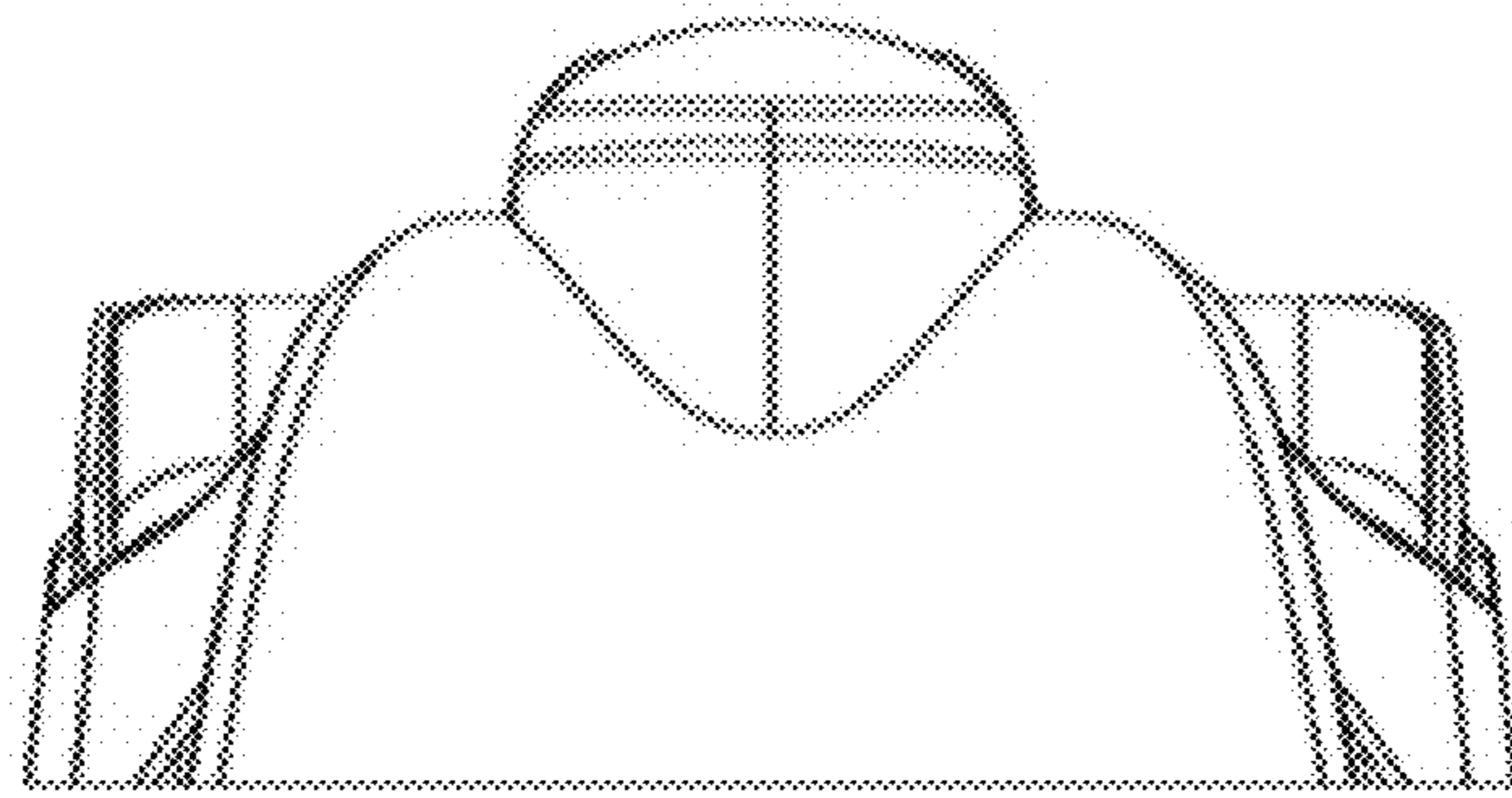


FIG. 3

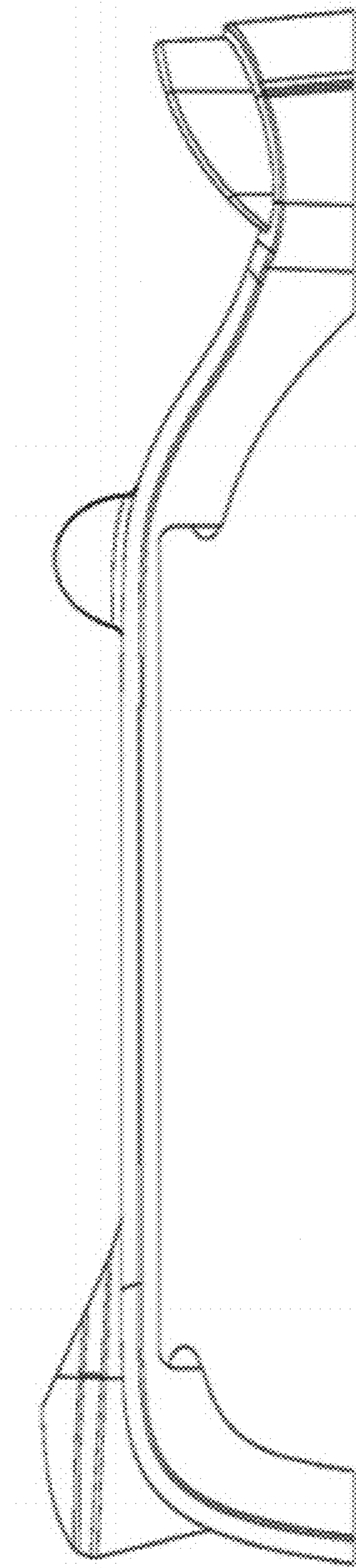


FIG. 4

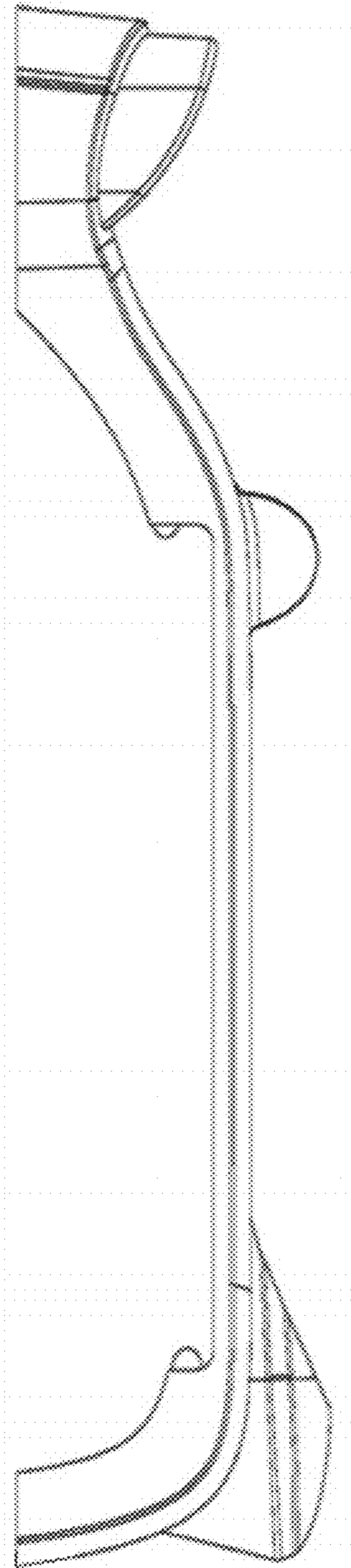


FIG. 5

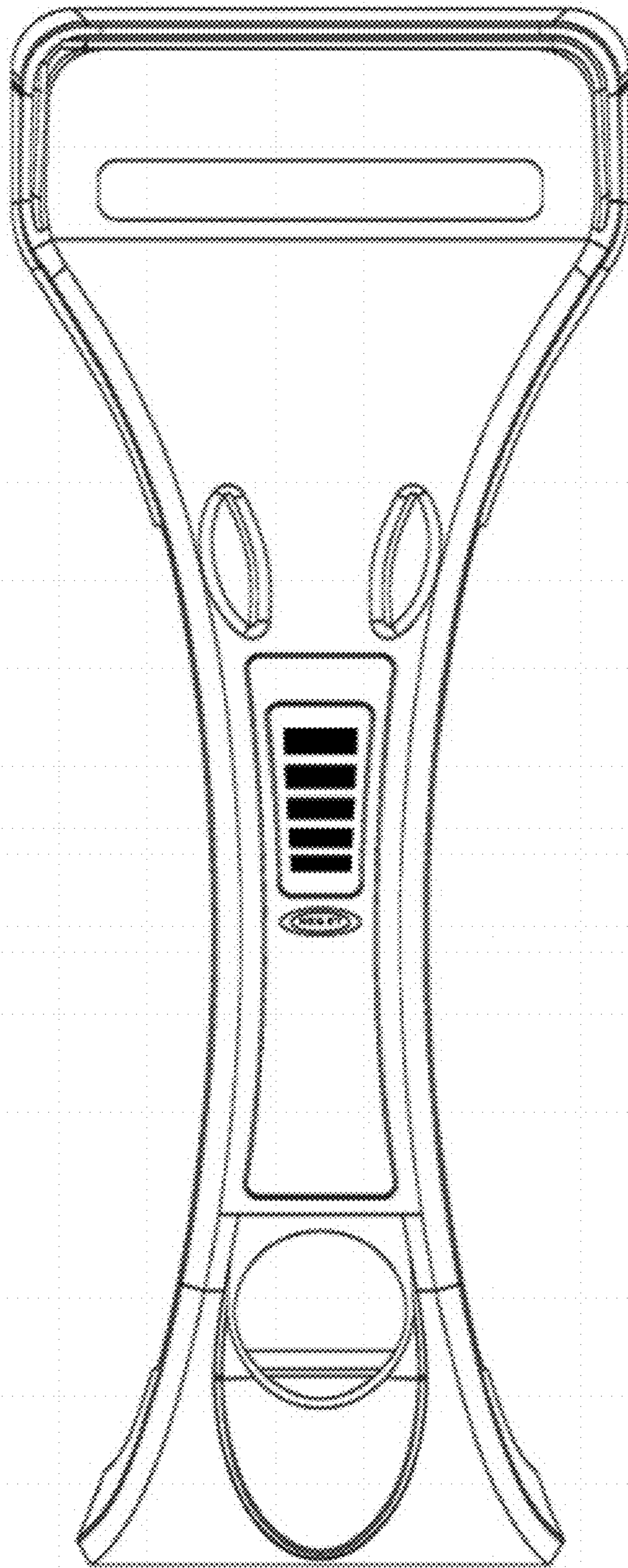


FIG. 6

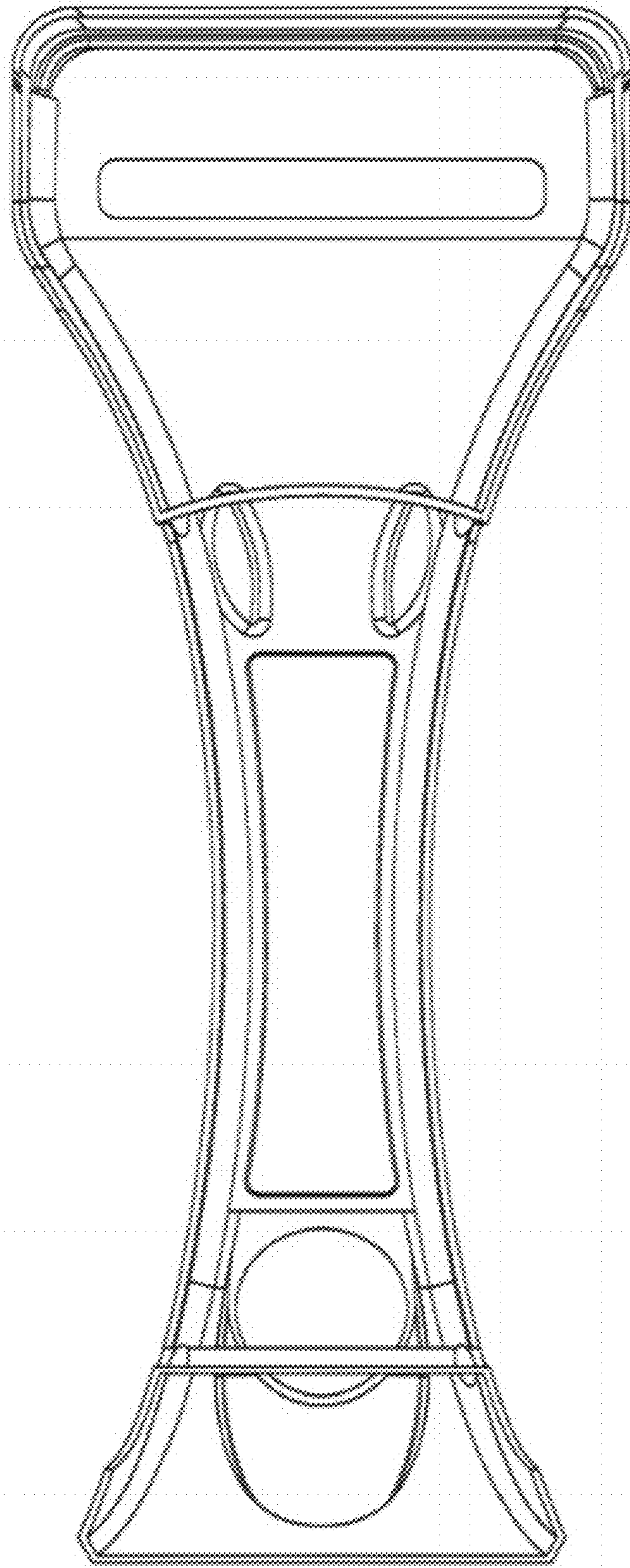


FIG. 7

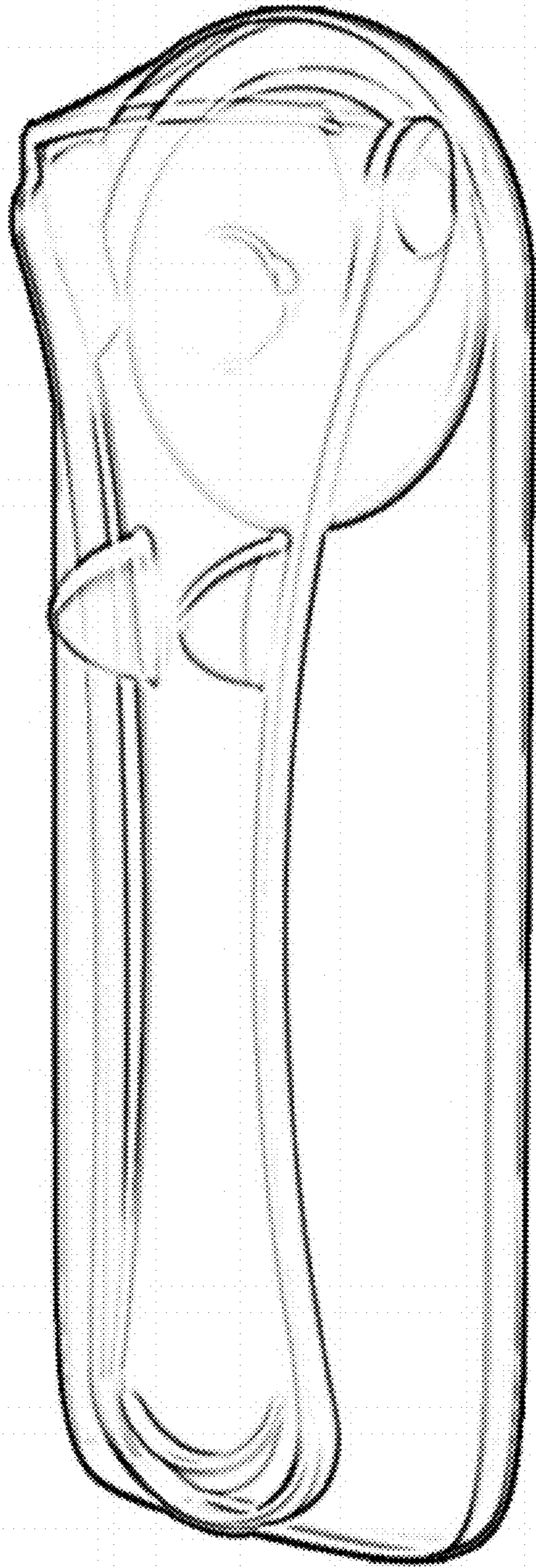


FIG. 8



FIG. 9

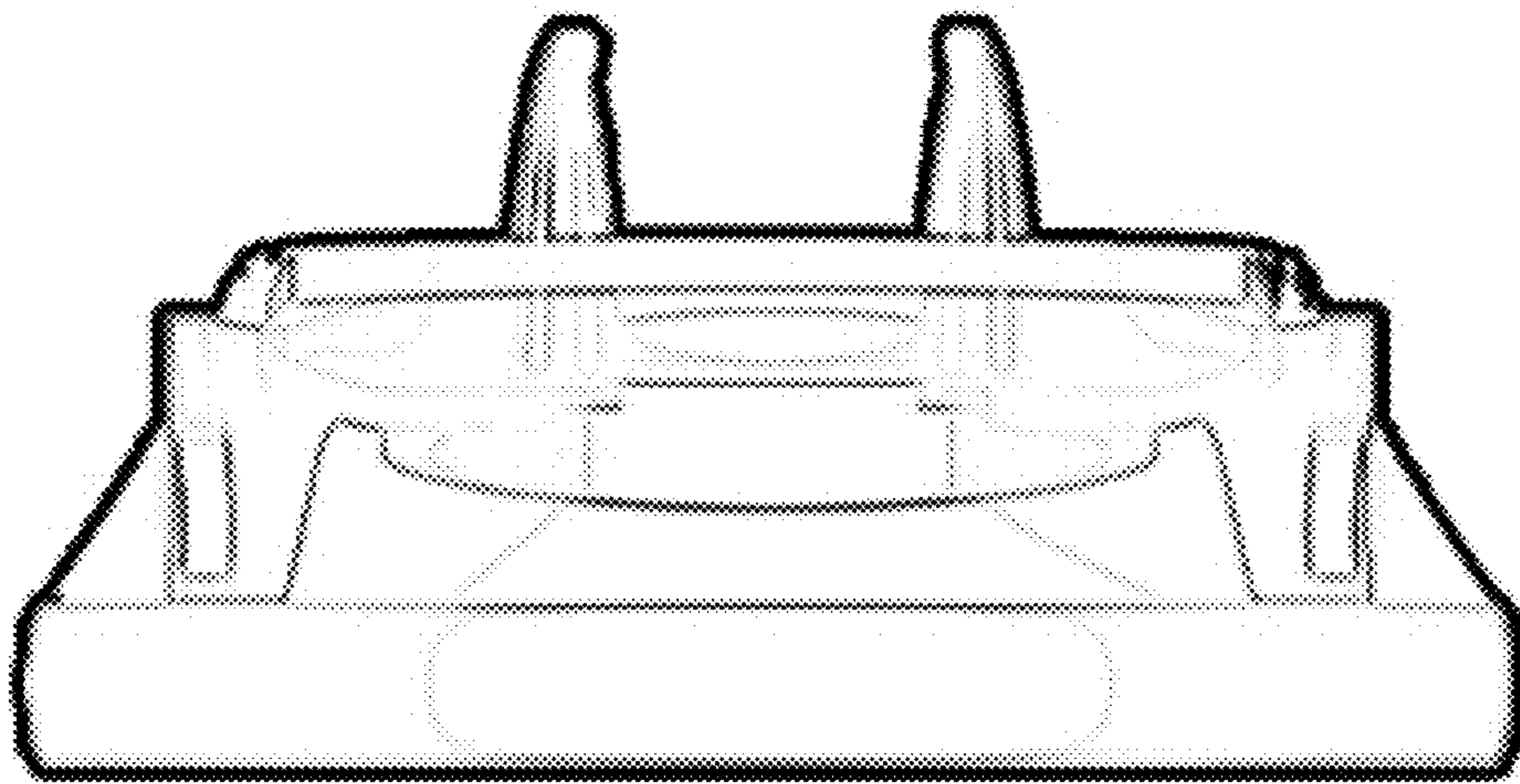


FIG. 10

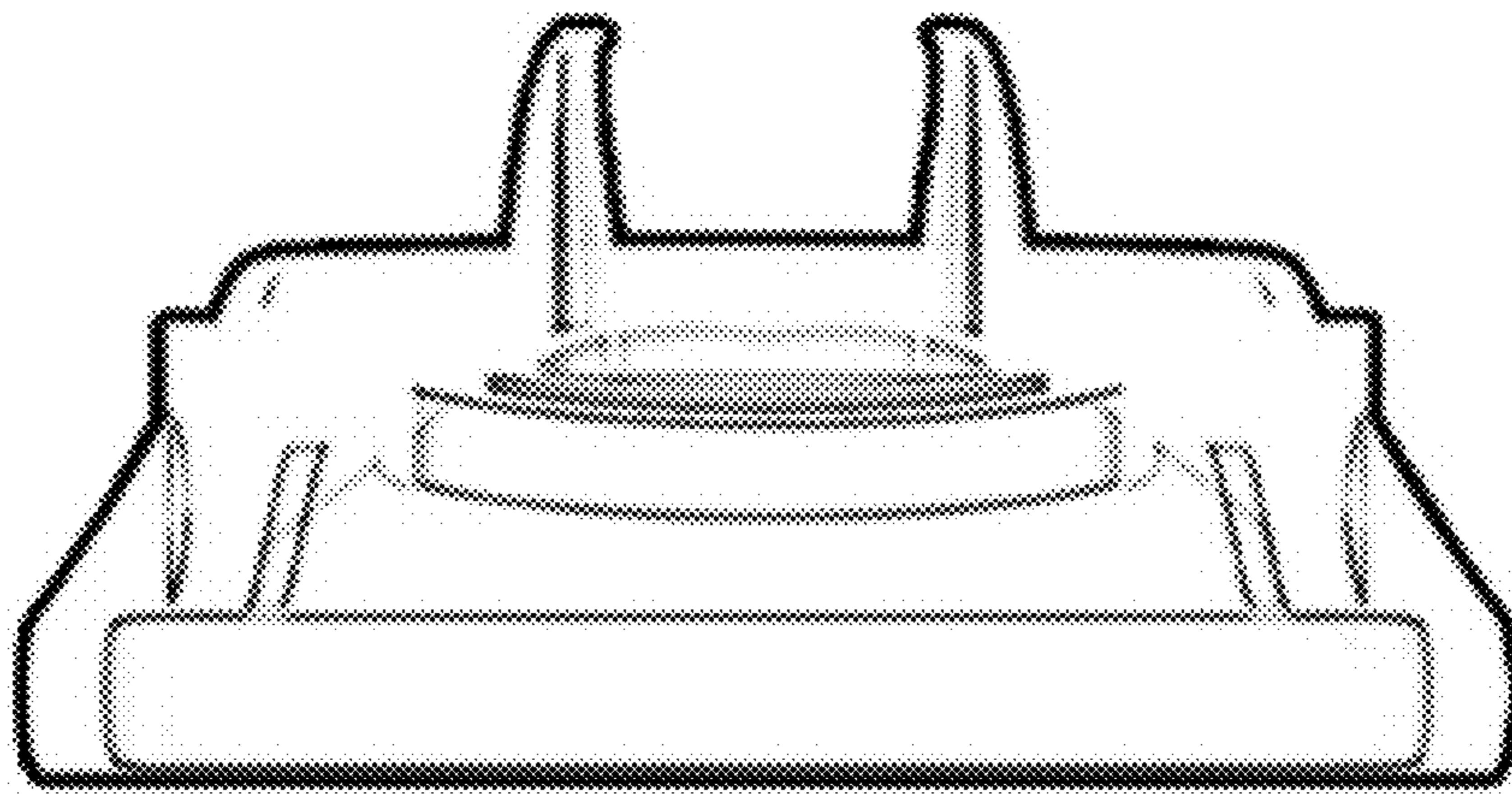


FIG. 11

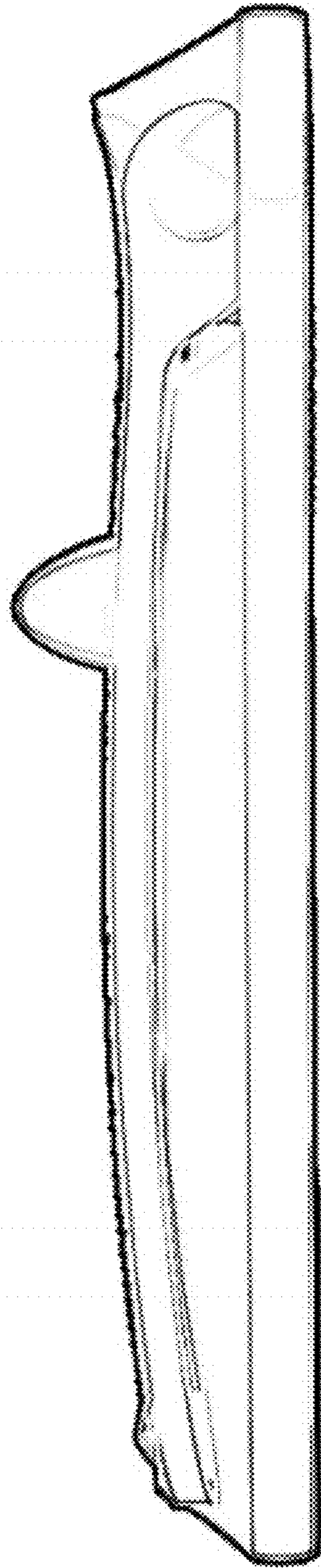


FIG. 12

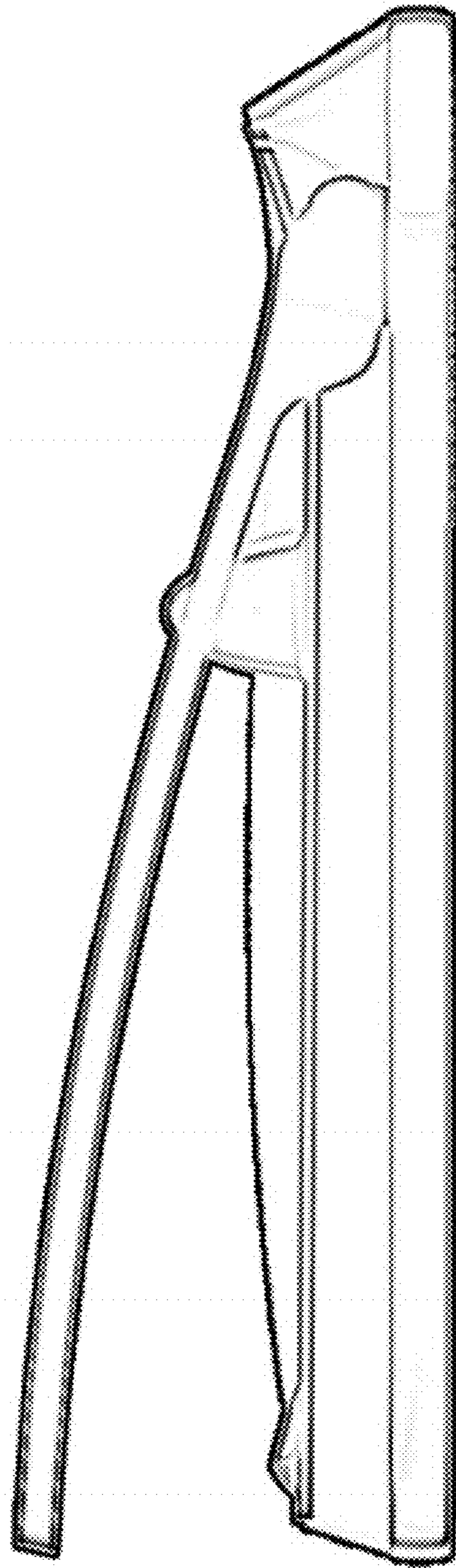


FIG. 13

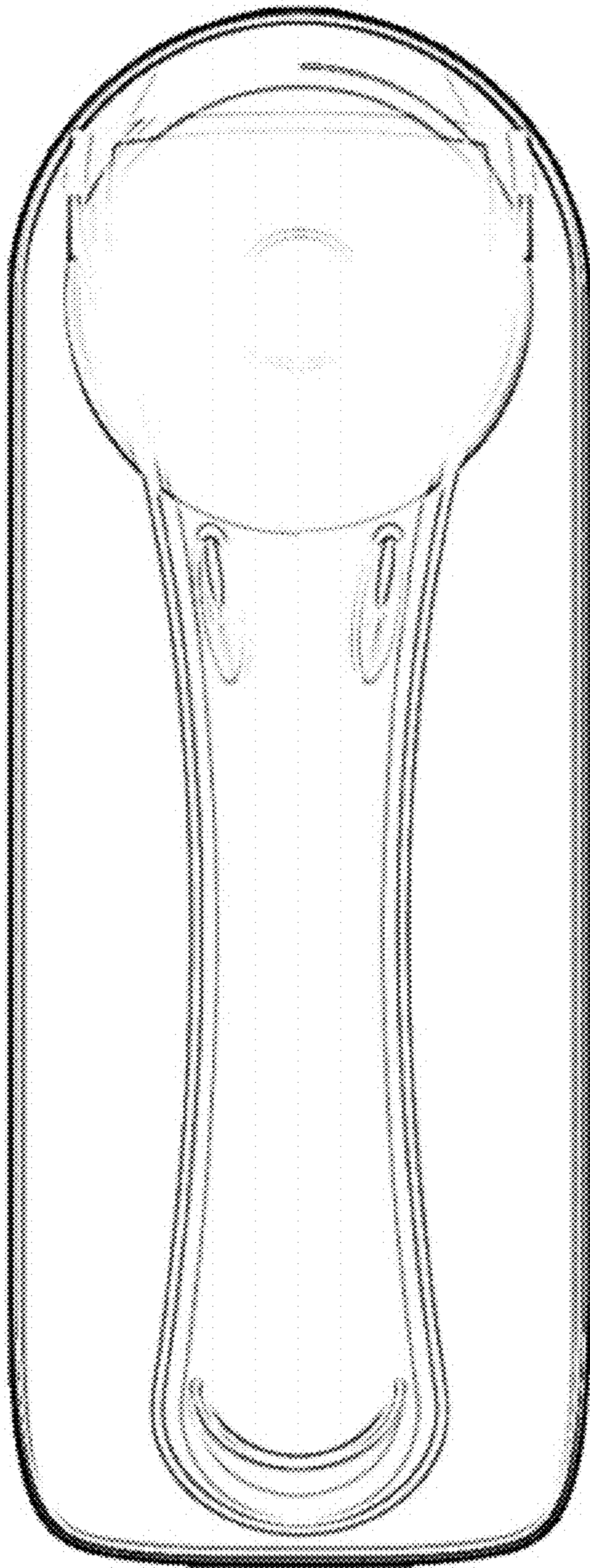


FIG. 14

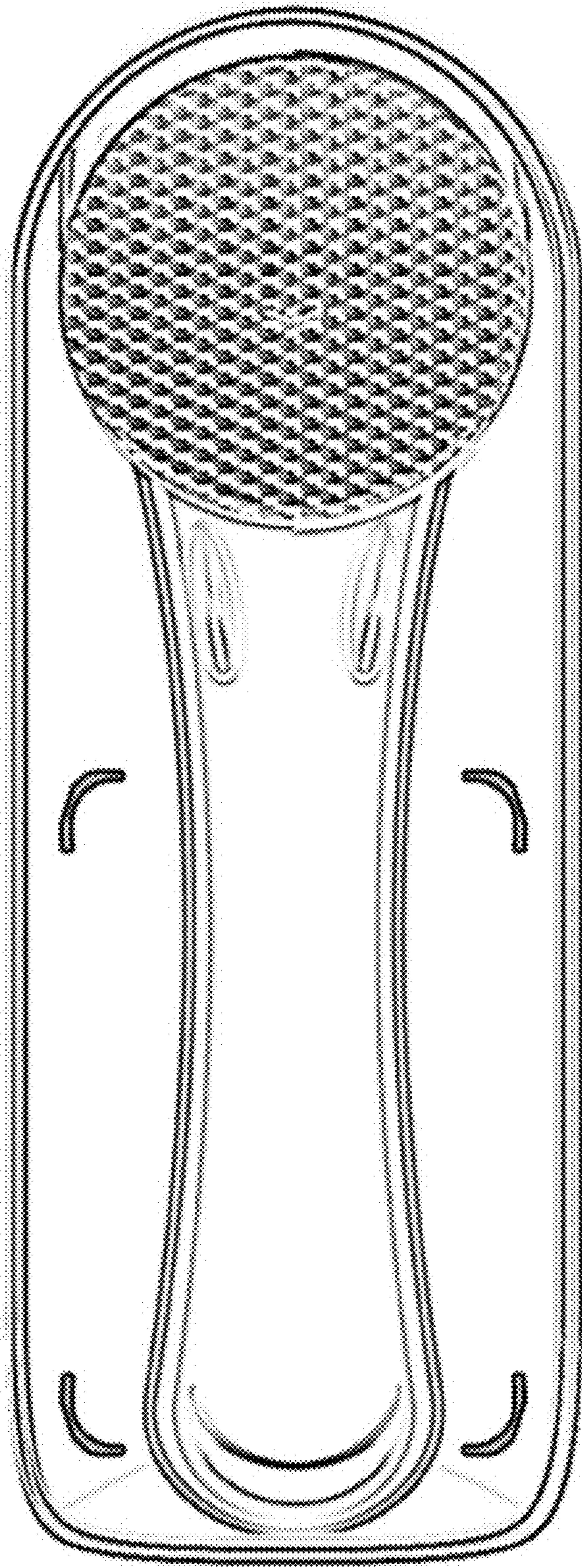


FIG. 15