



US00D655204S

(12) **United States Design Patent**
Meyers

(10) **Patent No.:** **US D655,204 S**

(45) **Date of Patent:** **** Mar. 6, 2012**

(54) **PREPACKAGED PET MEAL**

(75) **Inventor:** **Alexander George Meyers**, Phoenix, AZ (US)

(73) **Assignee:** **Buddy Meals International, Inc.**, Phoenix, AZ (US)

(**) **Term:** **14 Years**

(21) **Appl. No.:** **29/382,862**

(22) **Filed:** **Jan. 7, 2011**

(51) **LOC (9) Cl.** **09-03**

(52) **U.S. Cl.** **D9/715; D9/761**

(58) **Field of Classification Search** D9/414, D9/415, 418, 420, 422, 423, 424, 425, 715, D9/759, 737, 761, 756; D7/550.1, 554.2, D7/553.6, 554.1, 584; 354/786; 229/406, 229/904; 206/557, 205, 574, 583.1; 220/23.4
See application file for complete search history.

(56) **References Cited**

U.S. PATENT DOCUMENTS

3,778,515	A *	12/1973	Ashley	426/108
4,660,716	A *	4/1987	McMahon et al.	206/216
5,167,973	A *	12/1992	Snyder	426/115
5,346,710	A	9/1994	Geitner		
5,458,087	A *	10/1995	Prior et al.	119/51.5
5,752,464	A	5/1998	King et al.		
5,919,501	A *	7/1999	Rozzano	426/87
5,947,056	A	9/1999	Zarski		
6,568,347	B2	5/2003	Ciguere		
D478,693	S *	8/2003	Steinbacher	D30/130
D513,704	S *	1/2006	Bukowski	D9/715

7,527,017	B1 *	5/2009	Cribb	119/51.5
7,634,973	B1 *	12/2009	Cribb et al.	119/51.5
D641,235	S *	7/2011	Fisher	D9/425
D643,311	S *	8/2011	Meyers	D9/761
2002/0083900	A1	7/2002	Williams		
2003/0026876	A1	2/2003	Albuja		
2004/0089583	A1	5/2004	Coleman		
2006/0151339	A1	7/2006	Bradley et al.		
2009/0186132	A1	7/2009	Mangino et al.		

* cited by examiner

Primary Examiner — Thomas Johannes

(74) *Attorney, Agent, or Firm* — Ballard Spahr LLP

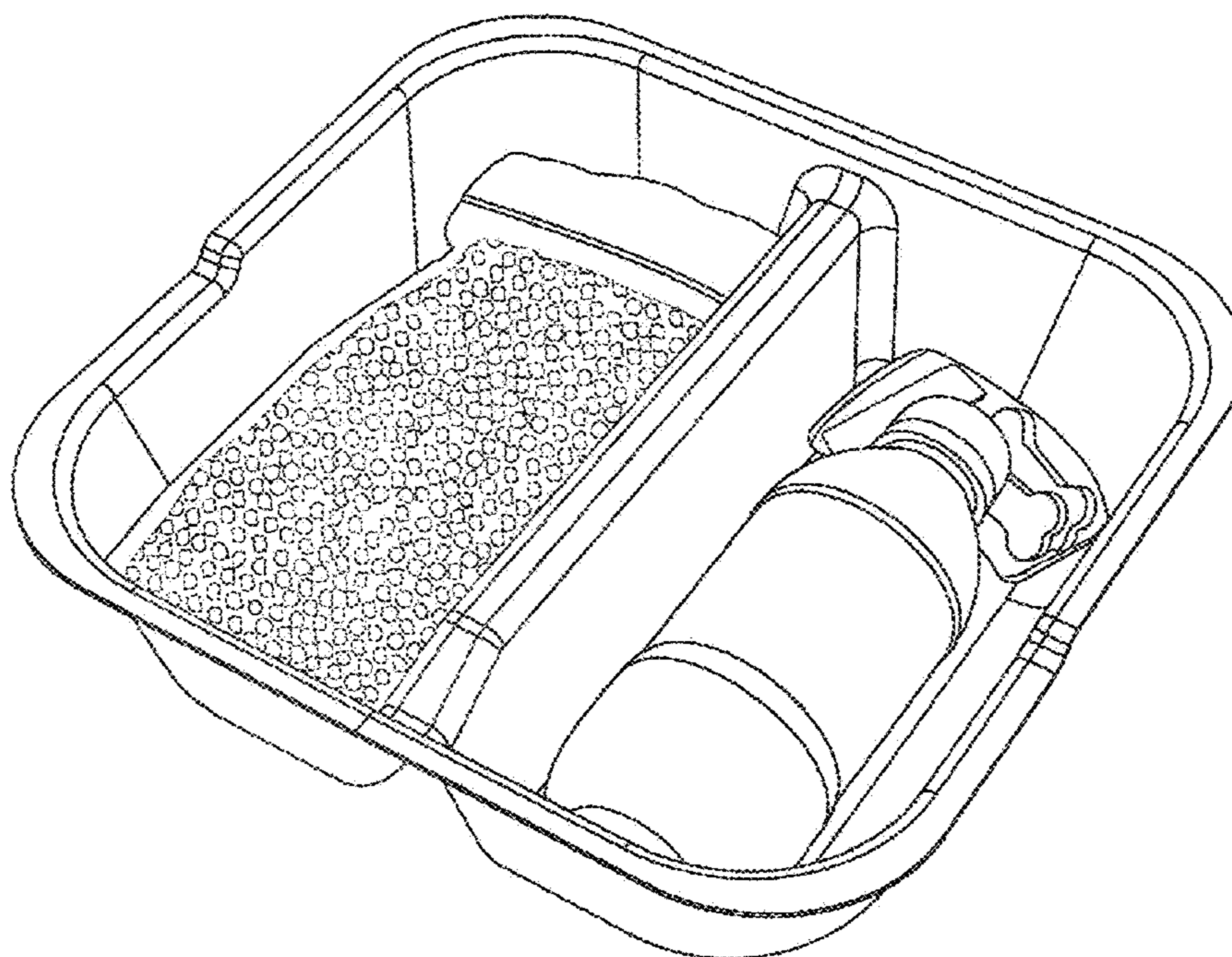
(57) **CLAIM**

The ornamental design for a prepackaged pet meal, as shown and described.

DESCRIPTION

FIG. 1 is a top plan view of a prepackaged pet meal, showing my new design;
 FIG. 2 is a top perspective view thereof;
 FIG. 3 is a top plan view thereof, with lines 4-4, 5-5, and 6-6 indicating cross-sections;
 FIG. 4 is a cross-sectional view thereof, taken in the direction of the line 4-4 of FIG. 3;
 FIG. 5 is a cross-sectional view thereof, taken in the direction of the line 5-5 of FIG. 3;
 FIG. 6 is a cross-sectional view thereof, taken in the direction of the line 6-6 of FIG. 3;
 FIG. 7 is a bottom perspective view thereof; and,
 FIG. 8 is a bottom plan view thereof.

1 Claim, 8 Drawing Sheets



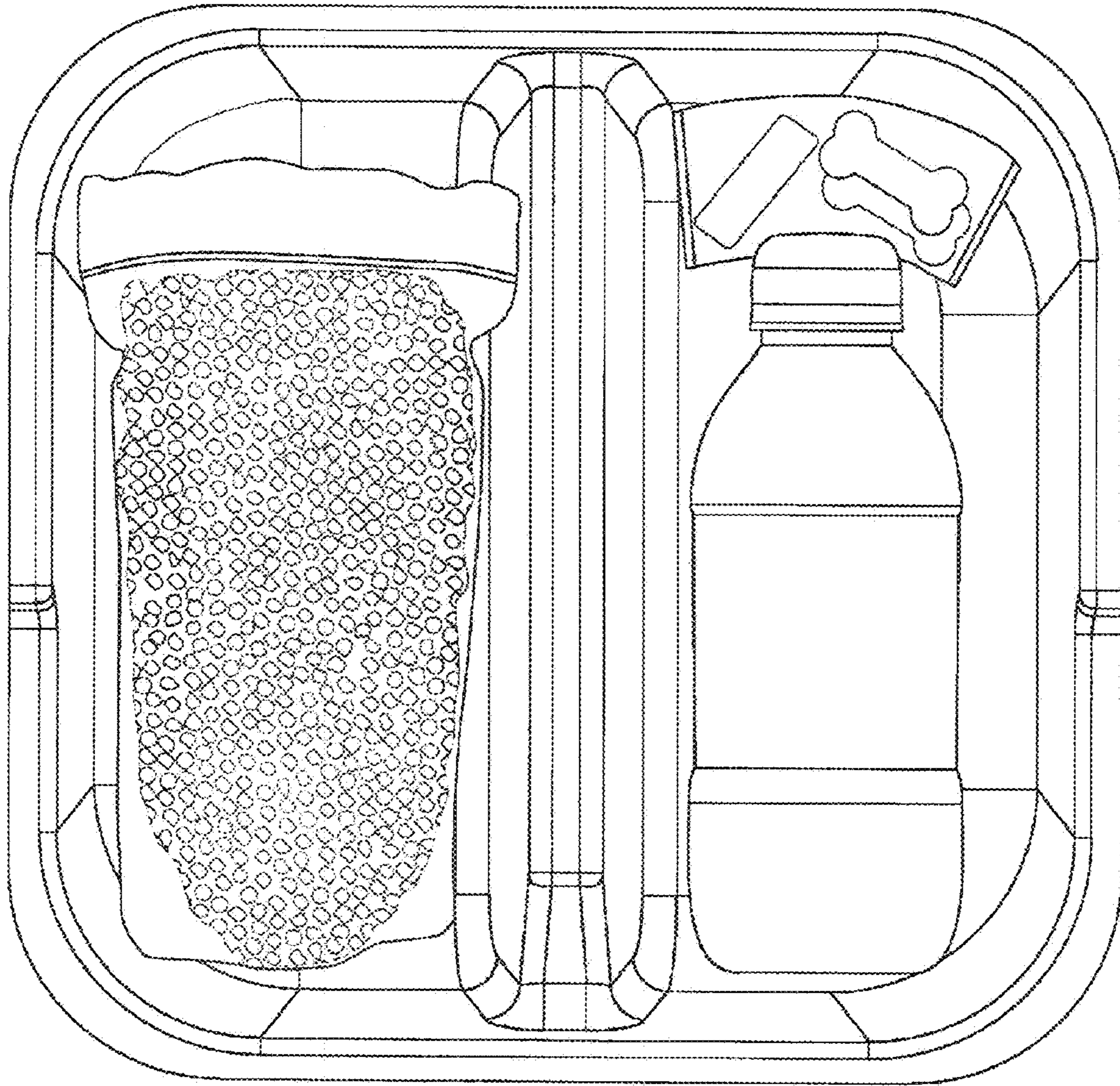


FIG. 1

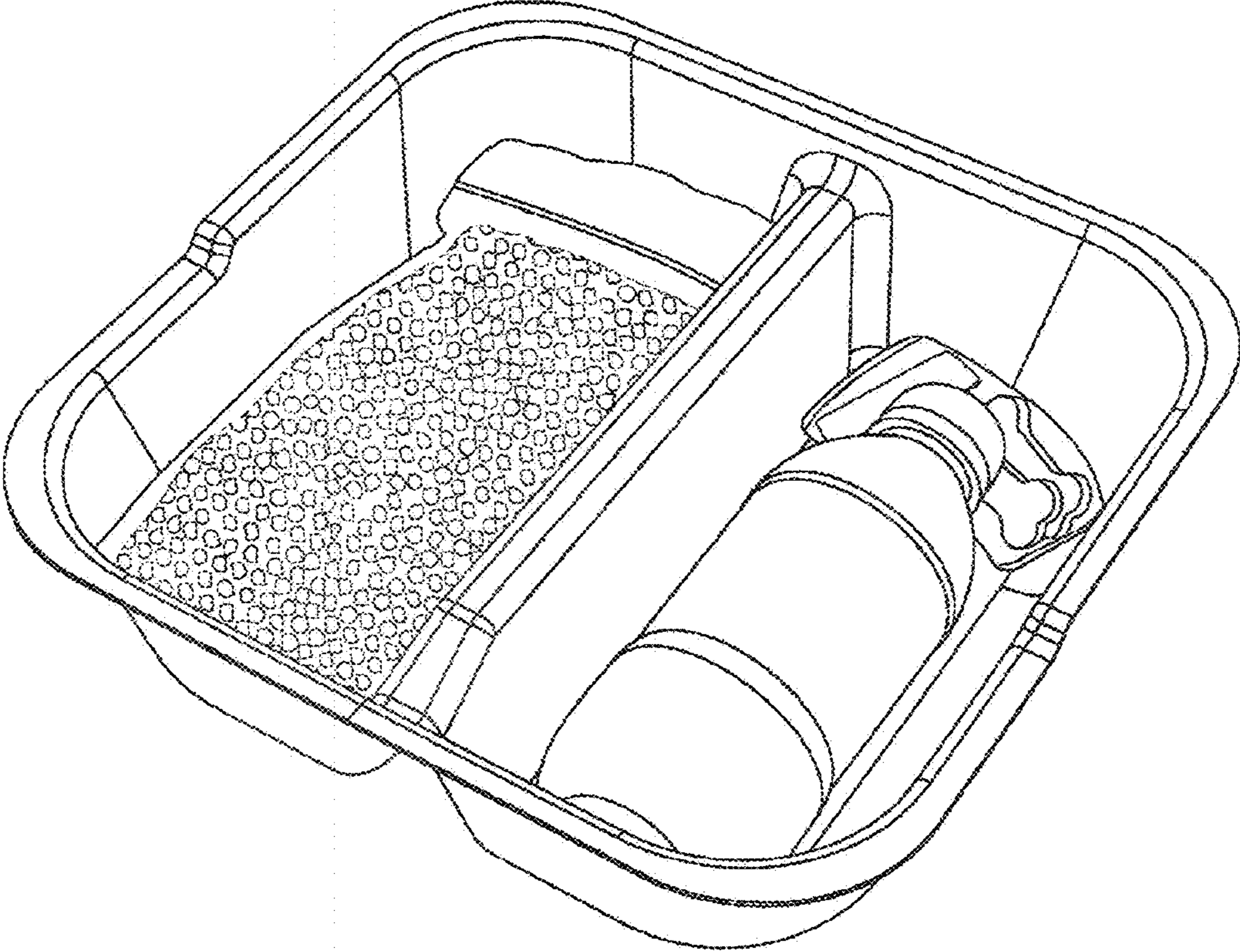


FIG. 2

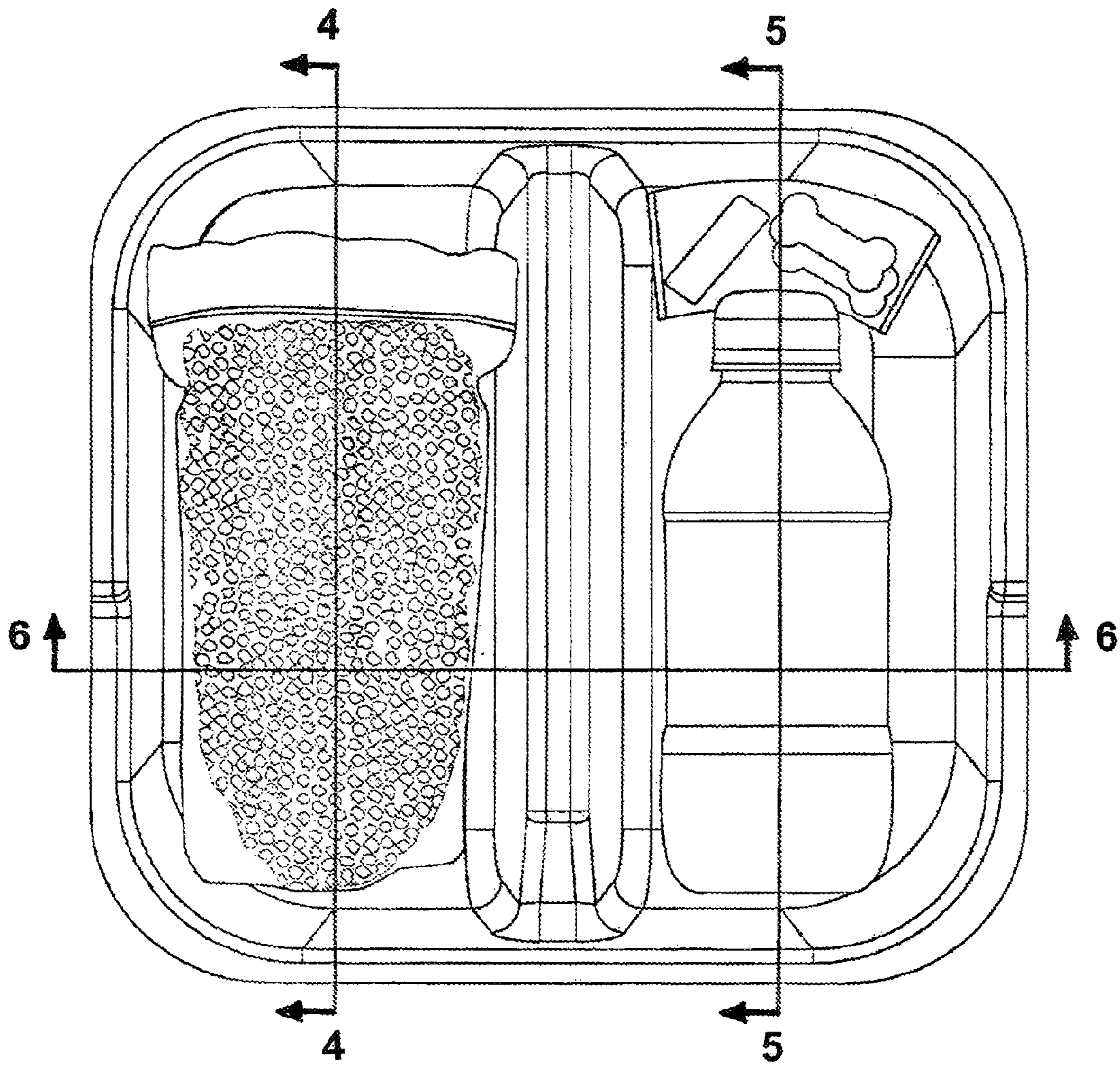


FIG. 3

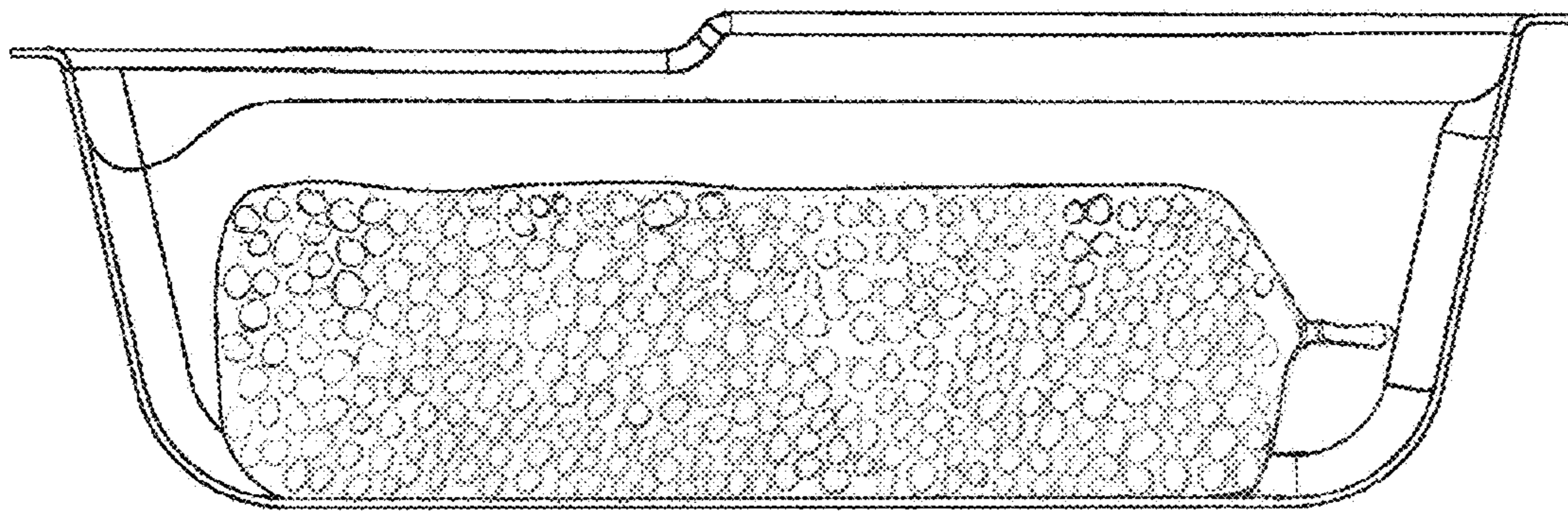


FIG. 4

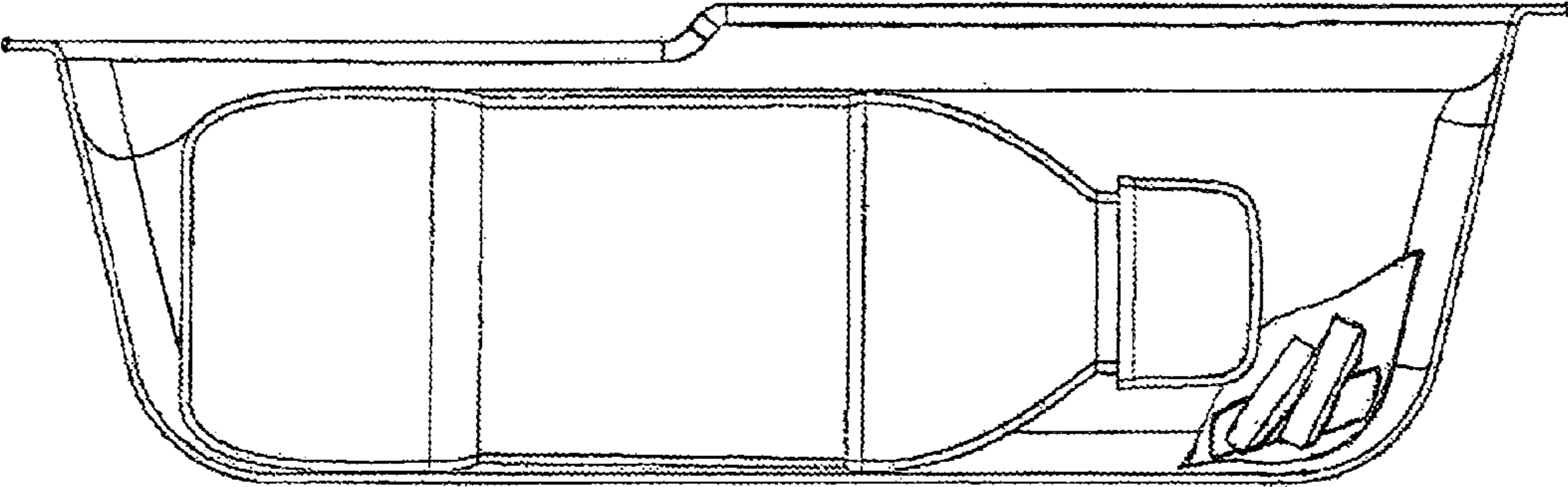


FIG. 5

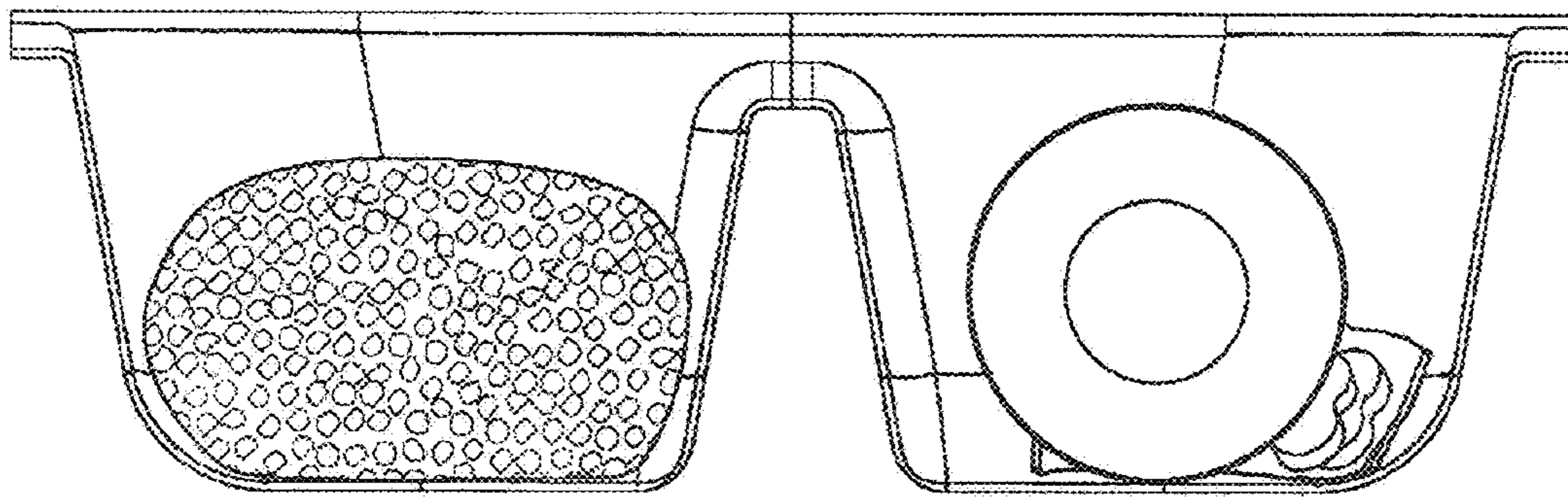


FIG. 6

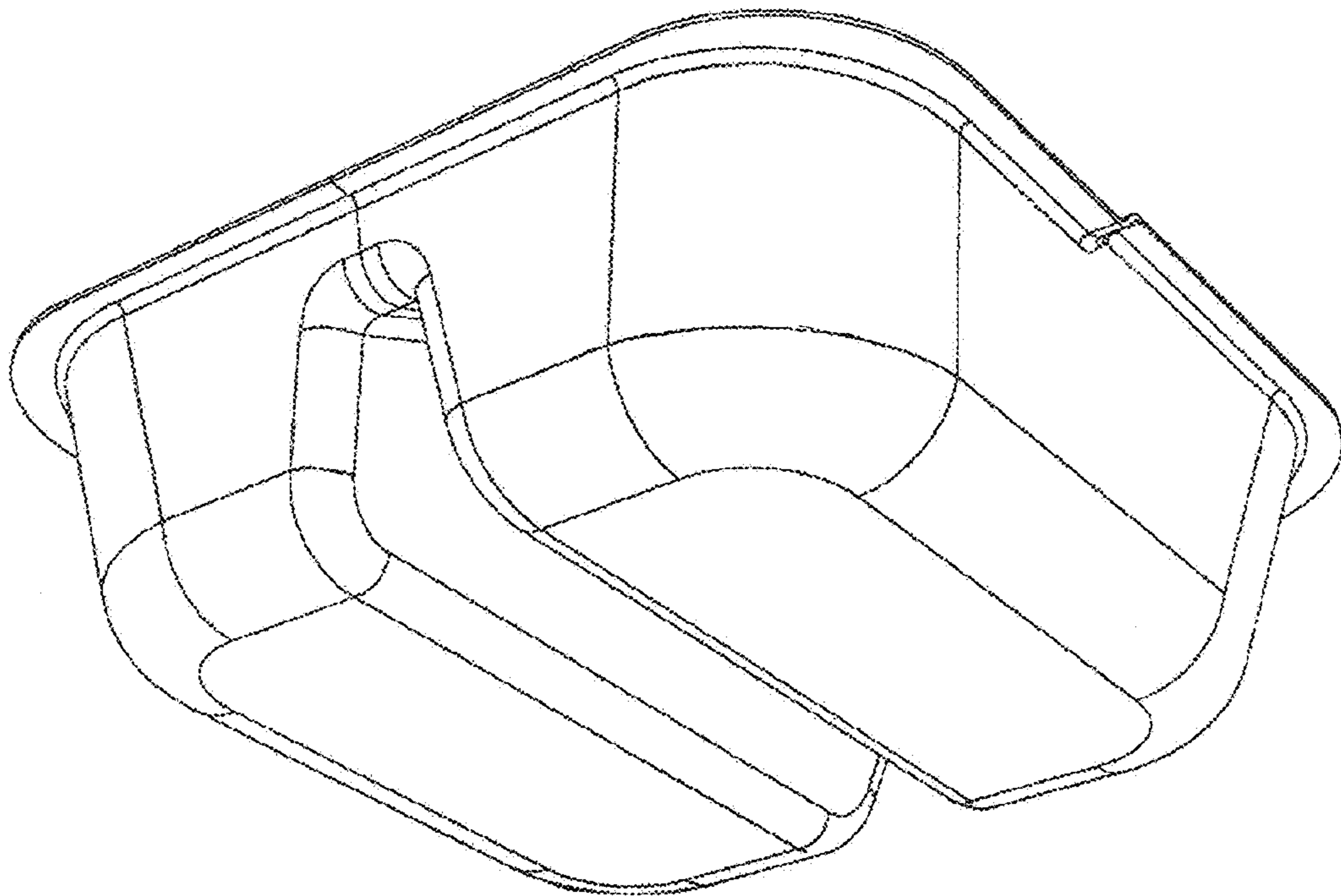


FIG. 7

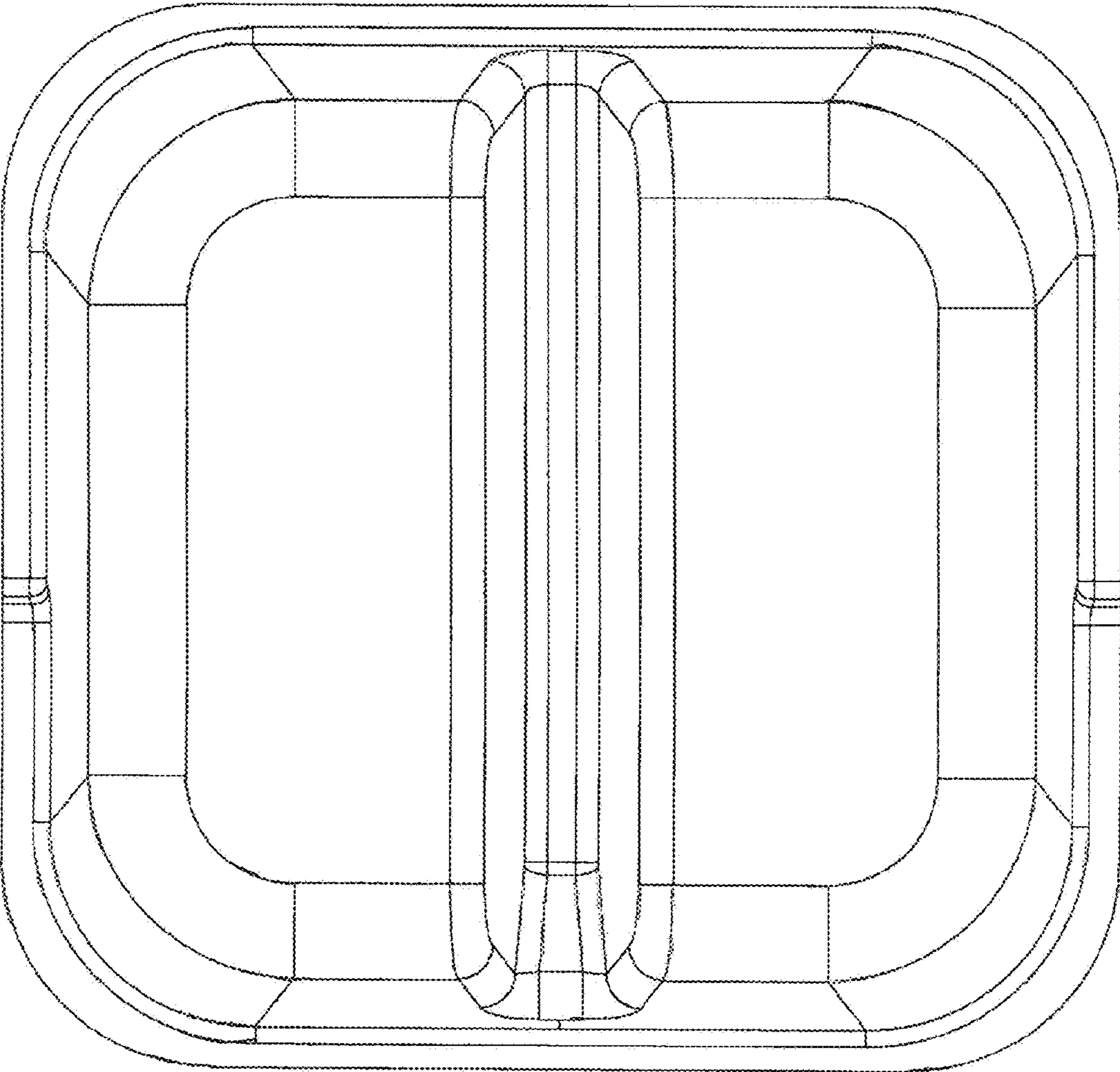


FIG. 8