



US00D655200S

(12) **United States Design Patent**  
**Gross et al.**

(10) **Patent No.:** **US D655,200 S**  
(45) **Date of Patent:** **\*\* Mar. 6, 2012**

(54) **AIRLESS DISPENSER**

(75) Inventors: **Jonathan Gross**, Dallas, TX (US);  
**James Montgomery**, Southlake, TX (US)

(73) Assignee: **Fusion Packaging I, LP**, Dallas, TX (US)

(\*\*) Term: **14 Years**

(21) Appl. No.: **29/383,199**

(22) Filed: **Jan. 13, 2011**

(51) **LOC (9) Cl.** ..... **09-01**

(52) **U.S. Cl.** ..... **D9/687**

(58) **Field of Classification Search** ..... D9/682-694,  
D9/715, 719, 516, 517, 523, 525, 526, 529,  
D9/559, 560, 570, 572-575, 436, 447-450;  
D28/5, 76, 77, 85, 91.1; 222/129, 135, 153.01,  
222/153.03, 153.04, 153.09, 153.11-153.14,  
222/182, 631, 635, 209, 211-213, 215, 321.7-321.9,  
222/372, 373, 378, 379, 383.1, 384-386,  
222/398, 400.7, 400.8, 401, 402.1-402.25  
See application file for complete search history.

(56) **References Cited**

**U.S. PATENT DOCUMENTS**

D215,698	S	*	10/1969	Jordan et al.	.....	D9/688
D272,006	S	*	12/1983	Geiger	.....	D28/5
D303,758	S	*	10/1989	Nitta	.....	D9/687
D318,610	S	*	7/1991	Nitta	.....	D9/687
D322,563	S	*	12/1991	Grandesso et al.	.....	D9/560
6,290,103	B1	*	9/2001	Fraillon	.....	222/321.1
6,394,318	B1	*	5/2002	Klodzinski	.....	222/321.7
D501,279	S	*	1/2005	Dittmer et al.	.....	D28/85
D511,688	S	*	11/2005	Baron	.....	D9/560
D584,640	S	*	1/2009	Castelnuovo-Tedesco	....	D9/694
D594,346	S	*	6/2009	Mouquet	.....	D9/690
2008/0023498	A1	*	1/2008	Bertin et al.	.....	222/402.12

2008/0116232	A1	*	5/2008	Michaux et al.	.....	222/507
2009/0071985	A1	*	3/2009	Ki	.....	222/309
2010/0206907	A1	*	8/2010	Angus et al.	.....	222/153.11

**FOREIGN PATENT DOCUMENTS**

JP	D1404182	*	12/2010
KR	300398799.0000	*	11/2005
KR	300401528.0000	*	12/2005
KR	300402168.0001	*	12/2005
KR	300429311.0000	*	10/2006
KR	300531862.0000	*	6/2009
KR	300533901.0000	*	7/2009

\* cited by examiner

*Primary Examiner* — Catherine Tuttle

(74) *Attorney, Agent, or Firm* — Anderson & Levine, LLP

(57) **CLAIM**

The ornamental design for the airless dispenser, as shown and described.

**DESCRIPTION**

FIG. 1 is a perspective view of the airless dispenser showing our new design with the actuator recessed within the collar, and the collar is aligned with the underlying shoulder and bottle portions;

FIG. 2 is a perspective view showing our design with the collar rotated approximately forty-five (45) degrees relative to FIG. 1, and with the actuator slightly raised from the collar;

FIG. 3 is a perspective view showing our design with the collar rotated approximately forty-five (45) degrees relative to FIG. 2, and with the actuator further raised from the collar;

FIG. 4 is a front view of FIG. 3;

FIG. 5 is a rear view of FIG. 3;

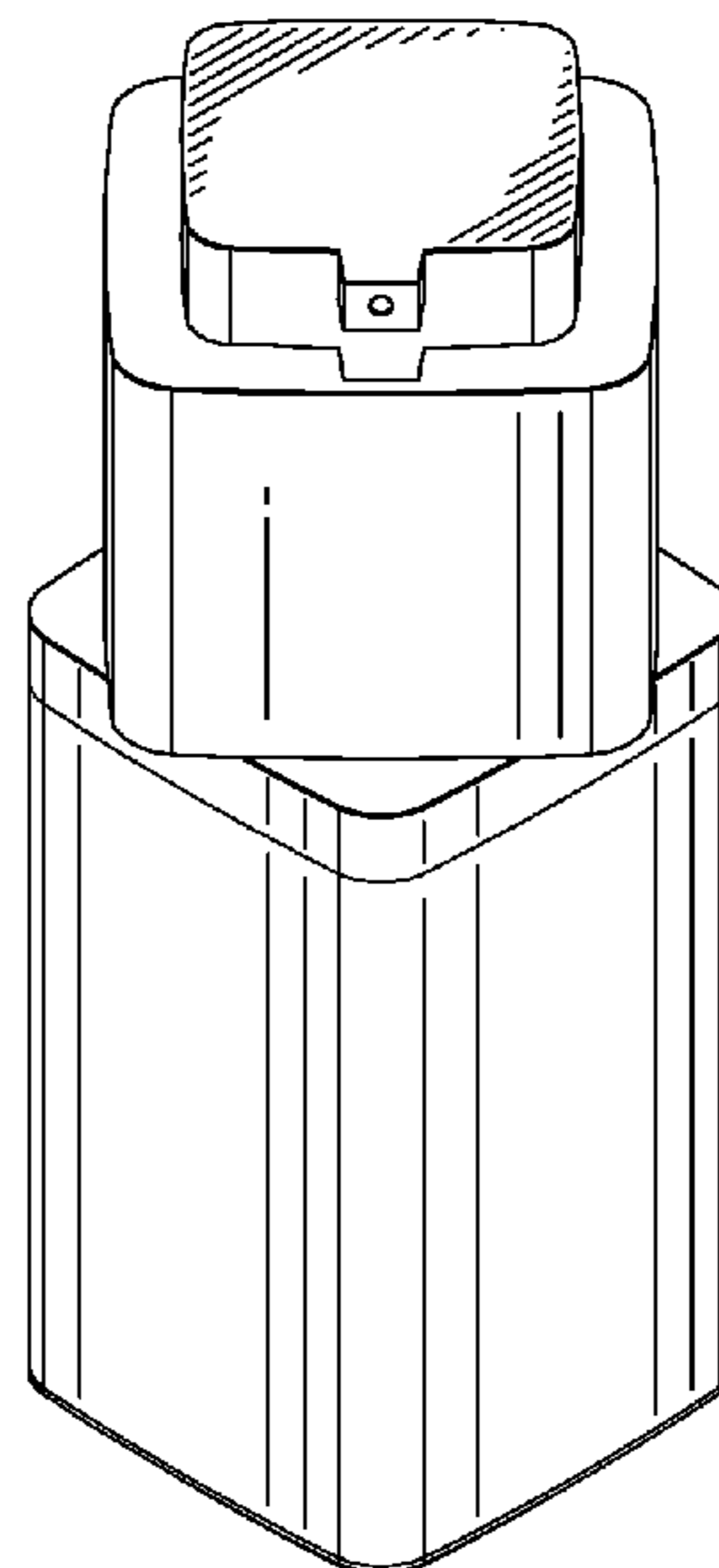
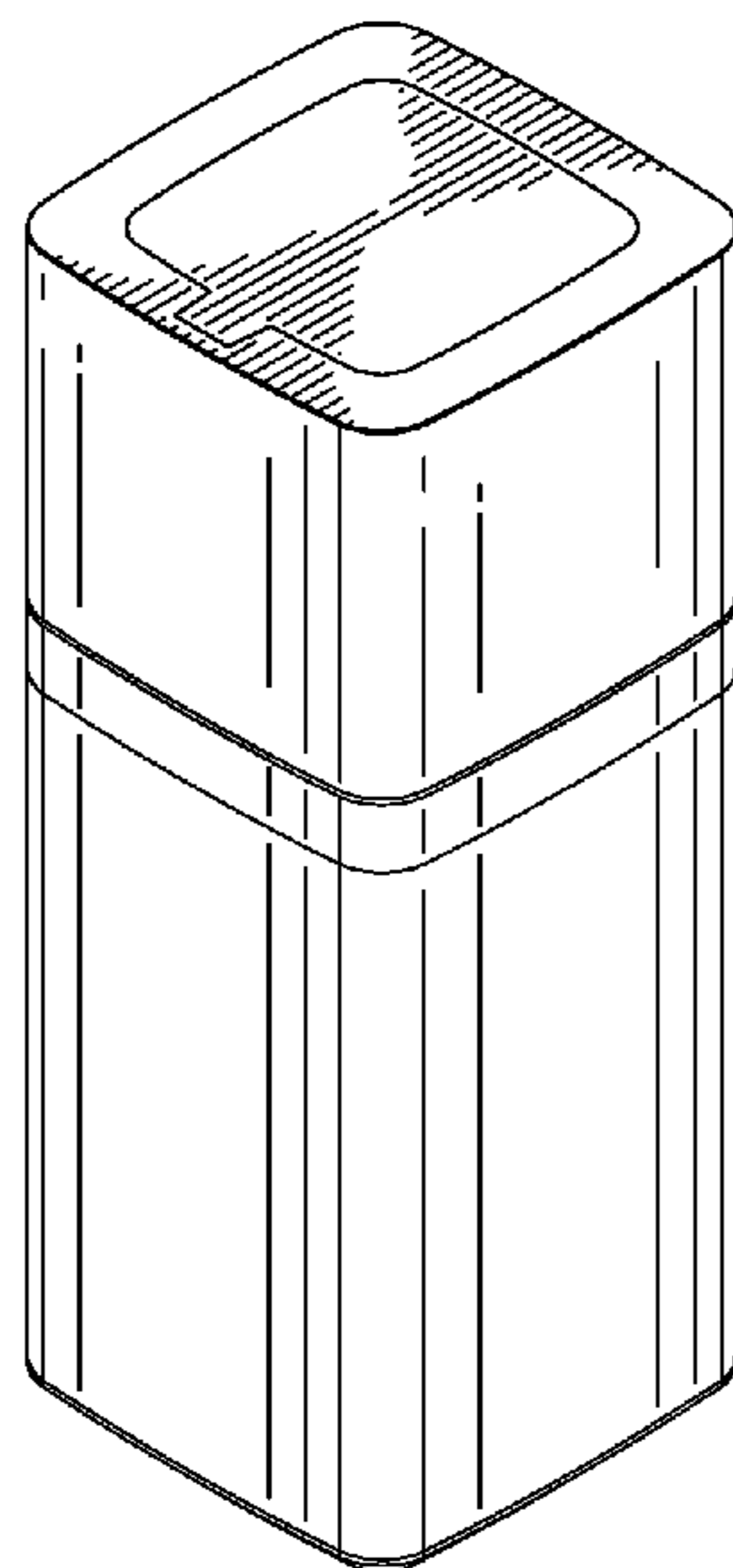
FIG. 6 is a left side view of FIG. 3;

FIG. 7 is a right side view of FIG. 3;

FIG. 8 is a top view of FIGS. 1 and 3; and,

FIG. 9 is a bottom view of FIGS. 1 and 3.

**1 Claim, 3 Drawing Sheets**



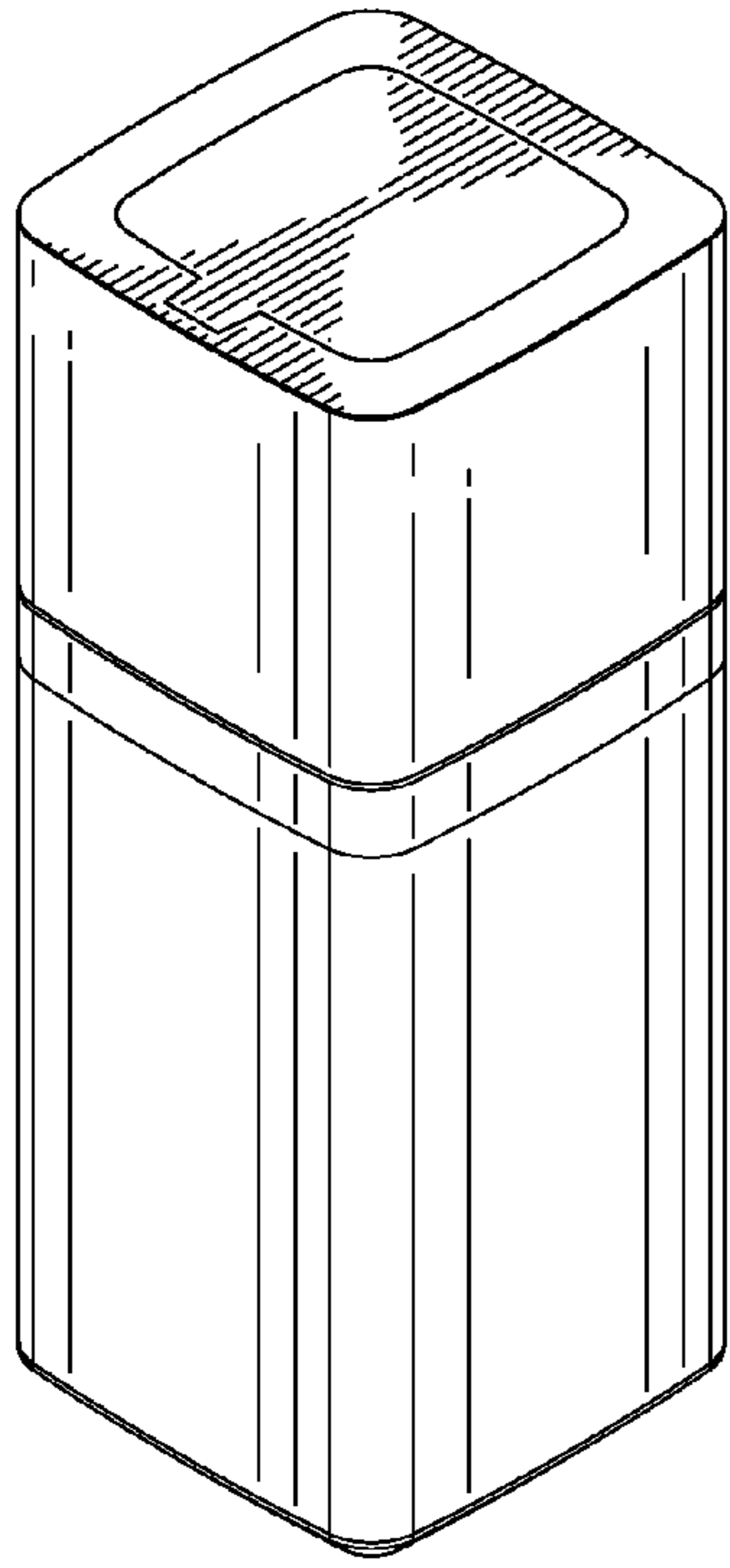


FIG. 1

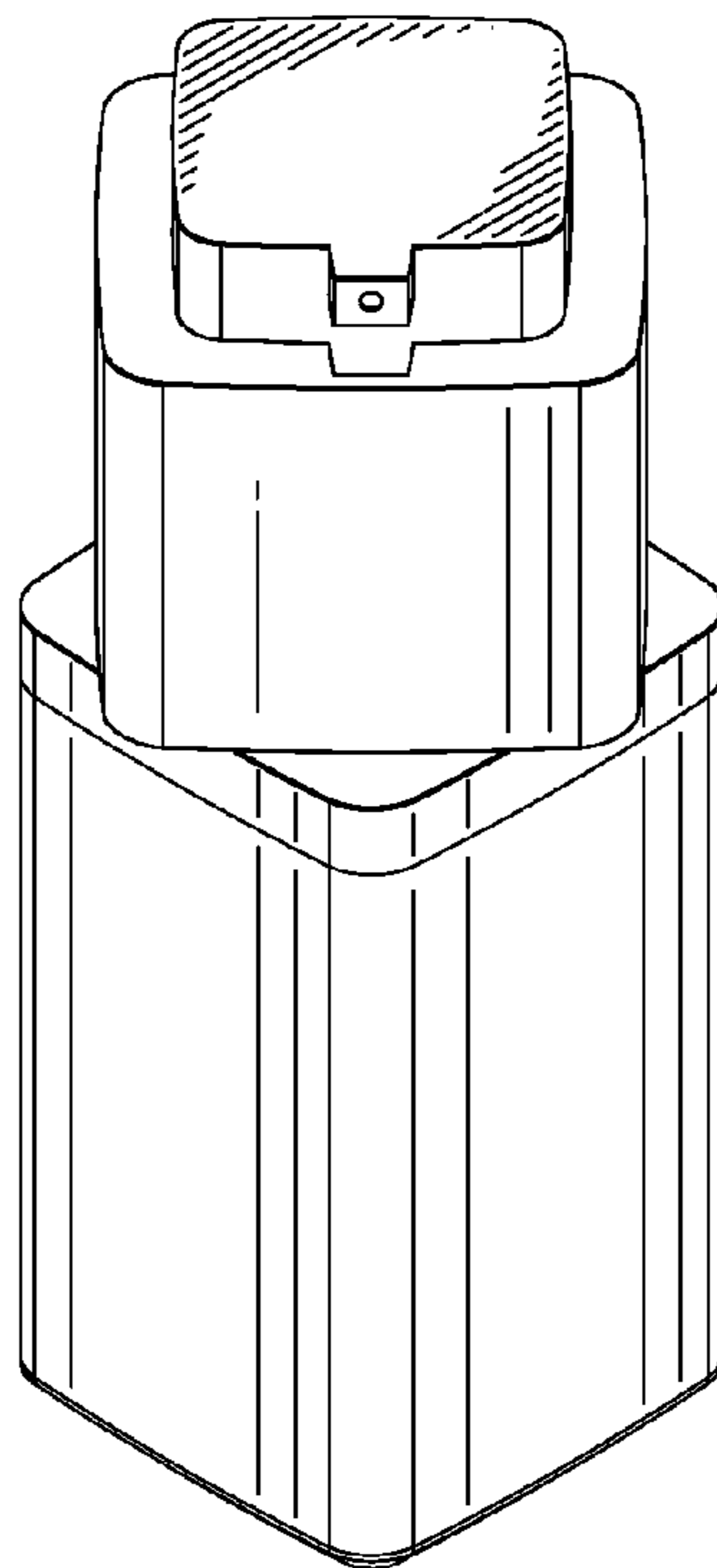


FIG. 2

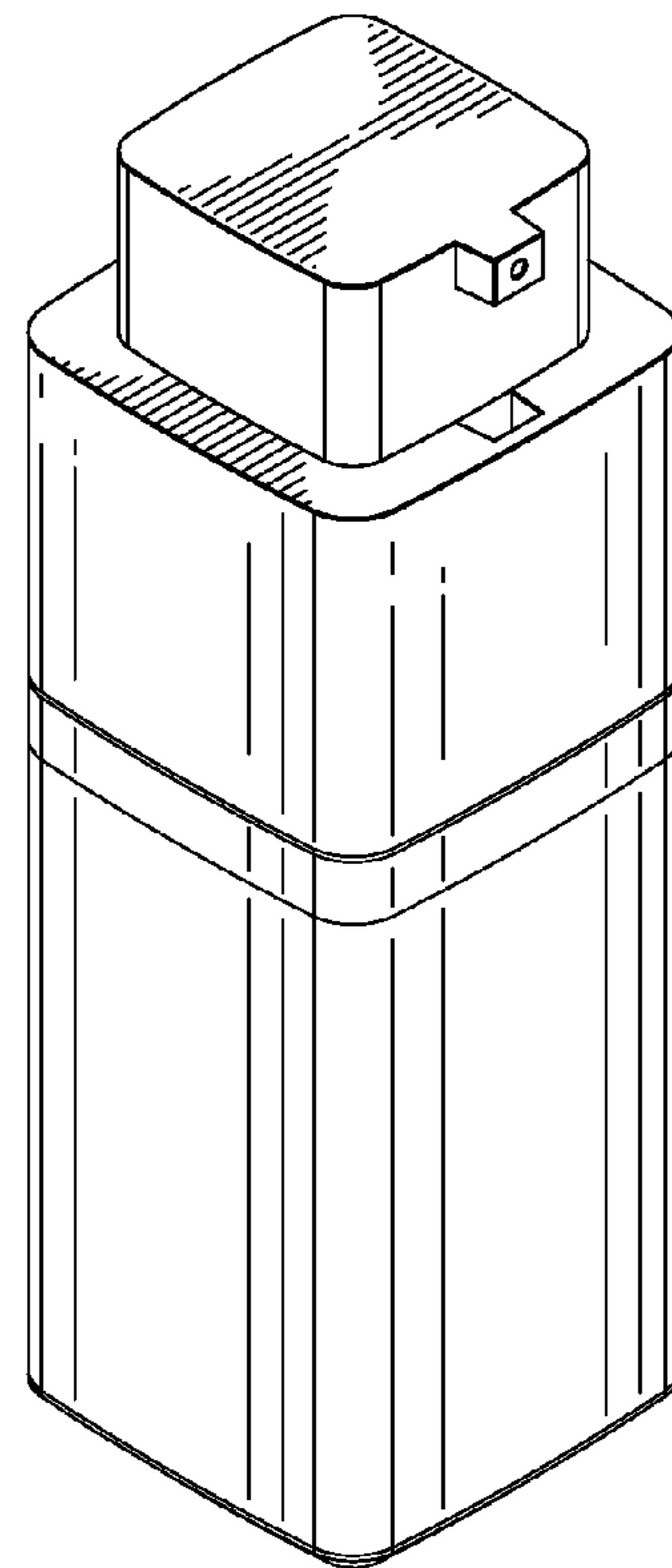


FIG. 3

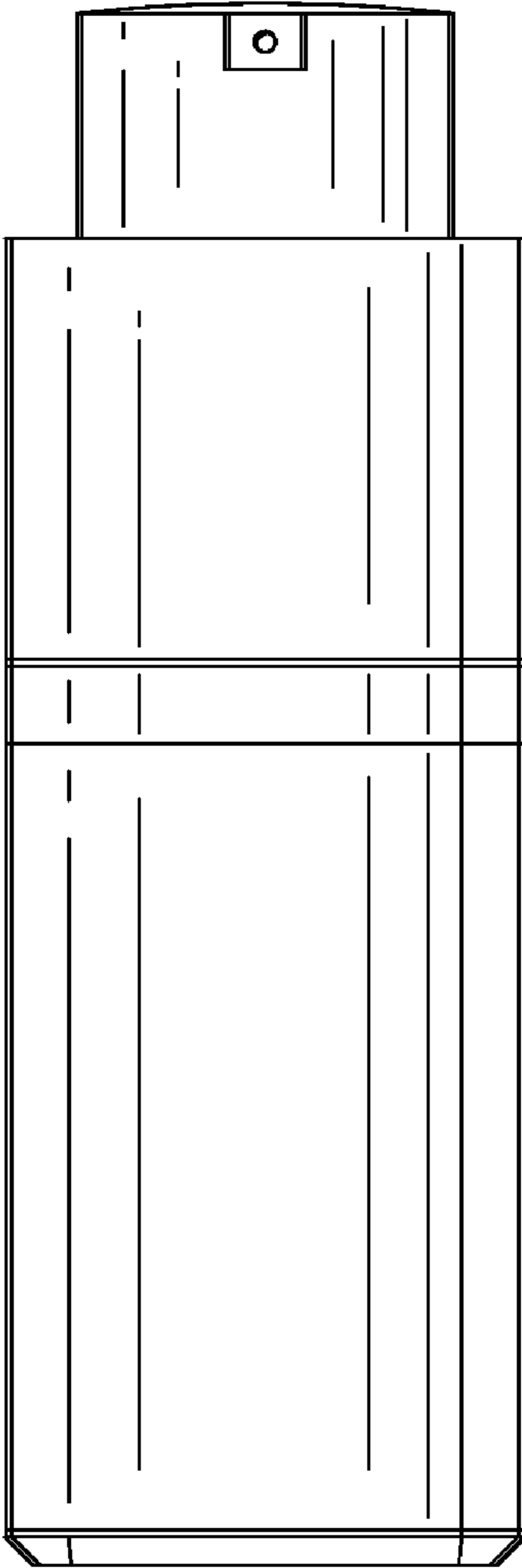


FIG. 4

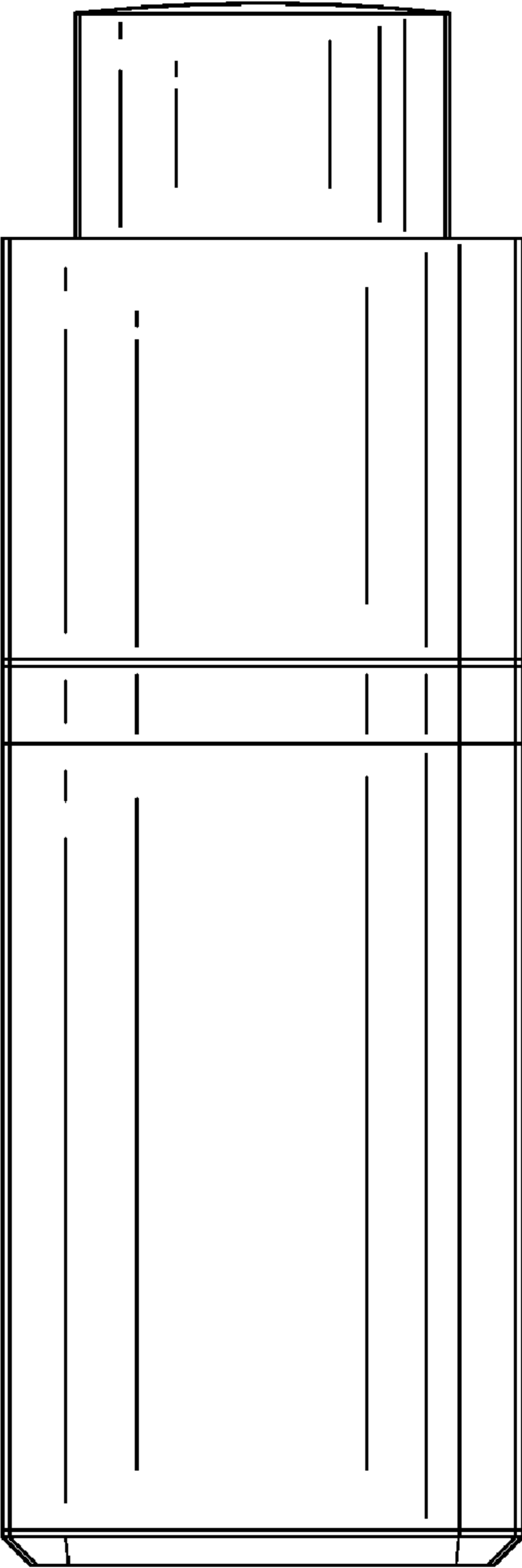


FIG. 5

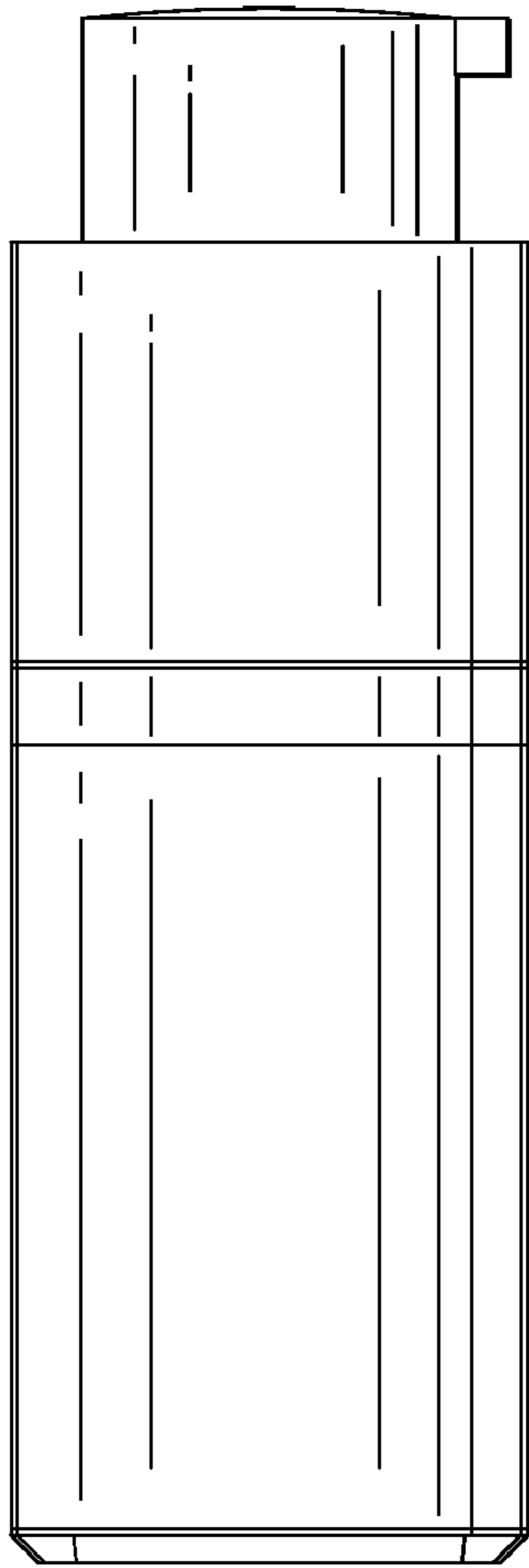


FIG. 6

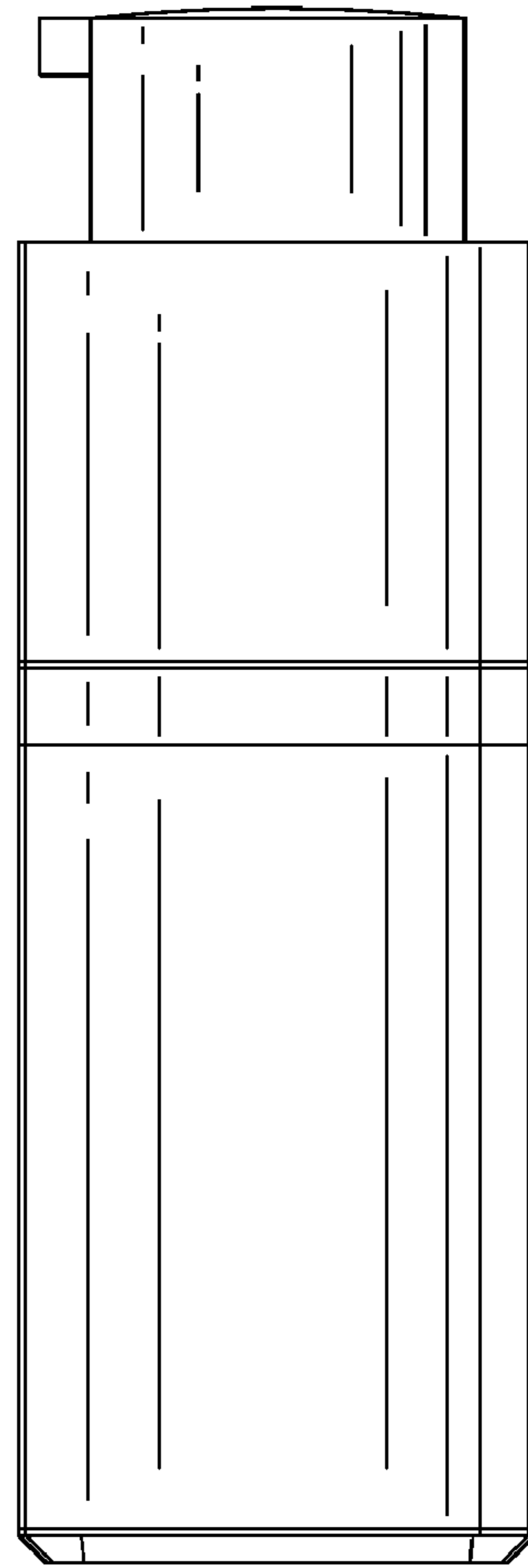


FIG. 7

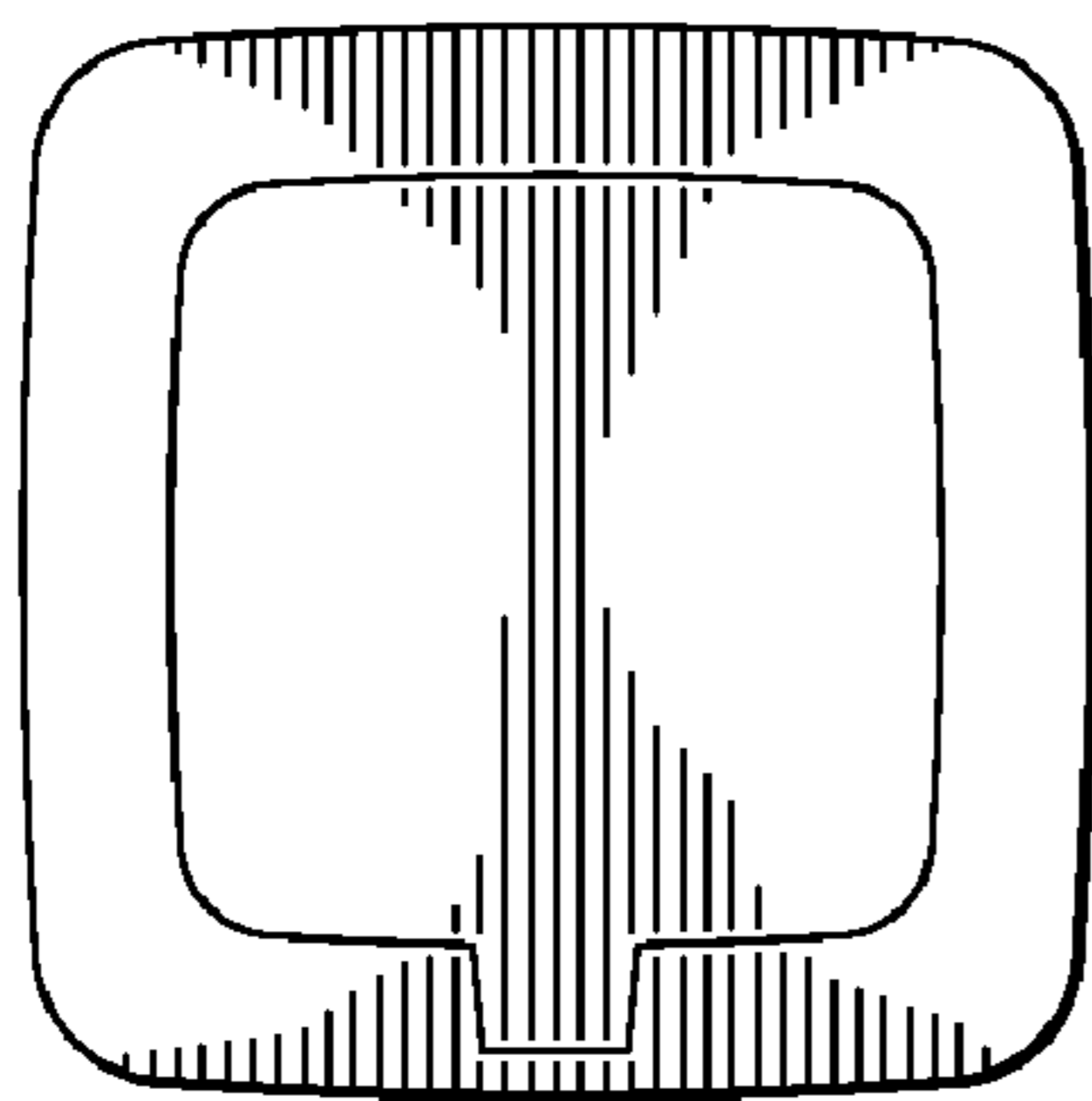


FIG. 8

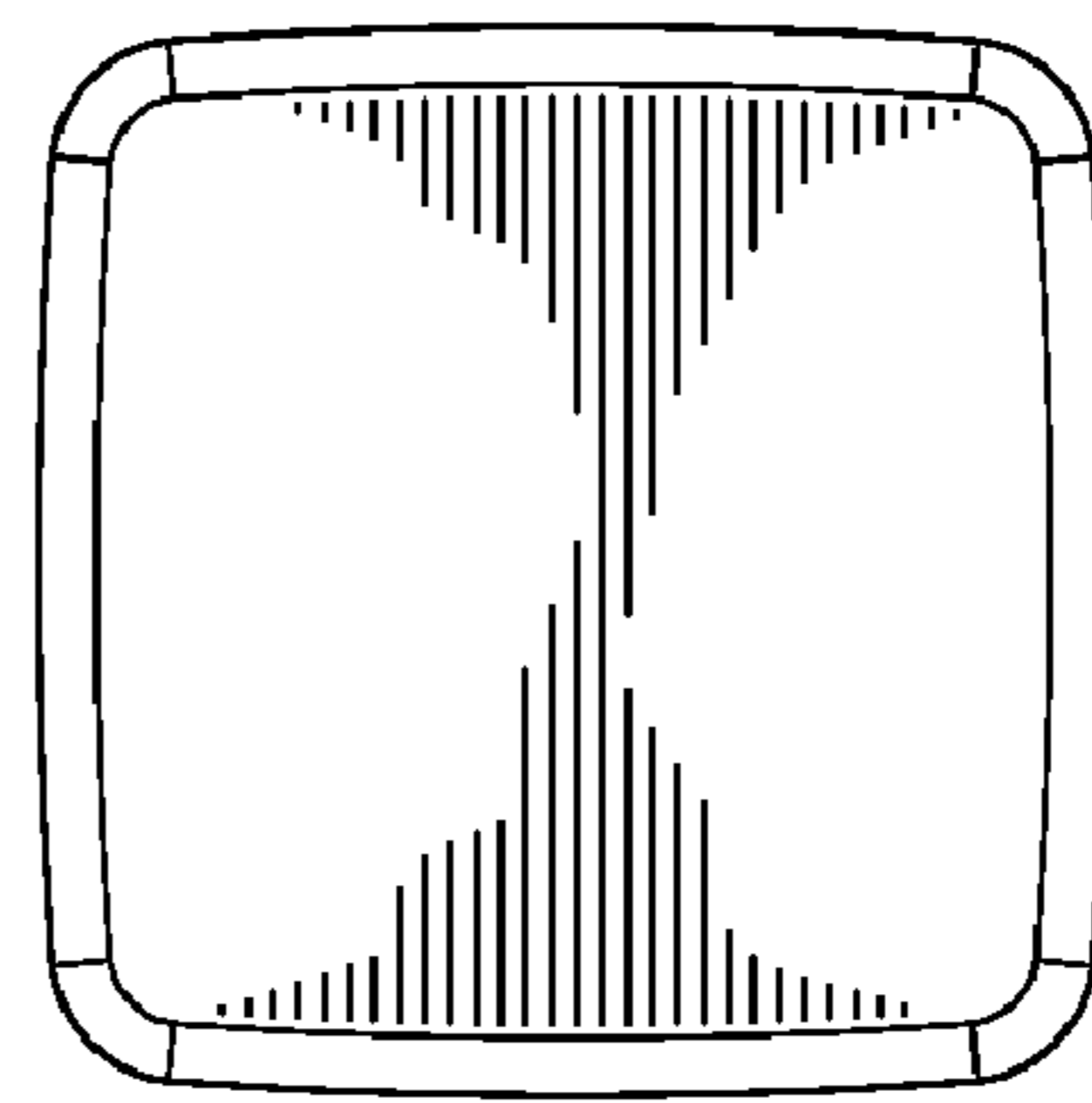


FIG. 9