



US00D655198S

(12) **United States Design Patent**  
**Finlay et al.**

(10) **Patent No.:** **US D655,198 S**  
(45) **Date of Patent:** **\*\* Mar. 6, 2012**

- (54) **BOTTLE**
- (75) Inventors: **Patrick J. Finlay**, New Fairfield, CT (US); **Jennifer Antczak**, Darien, CT (US); **Jacinthe Brillet**, Rueil Malmaison (FR); **Michael Goldenberg**, Brooklyn, NY (US); **Brent Lindberg**, Saint Charles, IL (US)
- (73) Assignee: **PepsiCo, Inc.**, Purchase, NY (US)
- (\*\*) Term: **14 Years**
- (21) Appl. No.: **29/386,492**
- (22) Filed: **Mar. 1, 2011**
- (51) **LOC (9) Cl.** ..... **09-01**
- (52) **U.S. Cl.** ..... **D9/658; D9/560**
- (58) **Field of Classification Search** ..... D9/600, D9/655-664, 516, 559-561, 569-575; 206/457, 206/527; 215/400; 220/890  
See application file for complete search history.

- D208,332 S 8/1967 Marona
- D212,463 S 10/1968 Vanderhyde
- 3,403,804 A 10/1968 Colombo
- D212,672 S 11/1968 Weckman
- D216,459 S 1/1970 Viitanen
- D216,540 S 2/1970 Douglas
- D217,803 S 6/1970 Douglas
- D232,079 S 7/1974 Luedtke
- D233,828 S 12/1974 Leary
- D236,587 S 9/1975 Kretz
- D261,104 S 10/1981 Cohen Skalli
- D263,562 S 3/1982 Cincala
- D265,550 S 7/1982 Young et al.
- D292,380 S 10/1987 Smith
- D315,293 S 3/1991 Moglia
- 5,037,684 A 8/1991 Dundas et al.
- D322,213 S 12/1991 Maginnis
- D325,347 S 4/1992 Doering
- D328,245 S 7/1992 Noble
- D329,868 S 9/1992 Sakaguchi et al.
- D346,548 S 5/1994 Maddox
- D352,461 S 11/1994 Flanagan et al.
- D352,891 S 11/1994 Lalique
- D356,506 S 3/1995 Kornick et al.
- D356,871 S 3/1995 Dunn
- D365,752 S 1/1996 Flanagan-Boos et al.
- D375,900 S 11/1996 DeVore

(Continued)

(56) **References Cited**

U.S. PATENT DOCUMENTS

- D29,673 S 11/1898 Nightingale
- D51,893 S 3/1918 Temple
- D56,983 S 1/1921 Lewis
- D74,502 S 12/1926 Ginter
- D84,239 S 5/1931 Furest
- D86,280 S 2/1932 Smith
- D86,816 S 4/1932 Von Till
- D90,649 S 7/1933 Fleisch
- D93,630 S 8/1933 Merolle
- D97,465 S 3/1935 Conner
- D103,987 S 4/1937 Ennever
- D109,518 S 1/1938 Meier
- D119,303 S 9/1938 Deletzke
- D111,962 S 11/1938 Frank
- D113,133 S 1/1939 De Nero
- D115,430 S 6/1939 Street
- D136,438 S 3/1943 Tatro
- D149,617 S 5/1948 Conman
- D178,808 S 9/1956 Rosenak
- D192,942 S 5/1962 Du Pree

Primary Examiner — Sandra Morris

(74) *Attorney, Agent, or Firm* — Banner & Witcoff, Ltd.

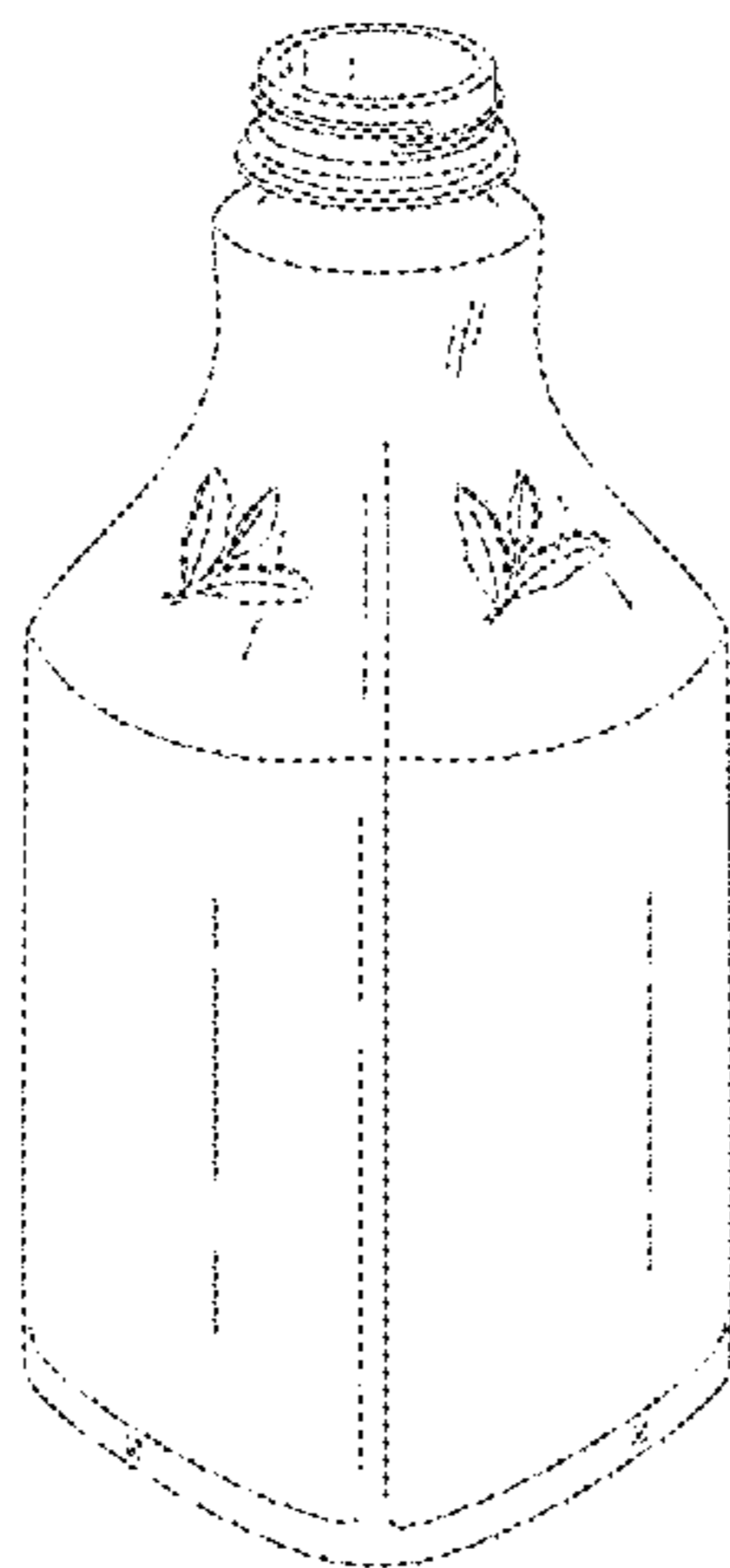
(57) **CLAIM**

The ornamental design for a bottle, as shown and described.

**DESCRIPTION**

FIG. 1 is a top, front, right perspective view of a bottle showing our new design;  
 FIG. 2 is a right view thereof;  
 FIG. 3 is a front view thereof;  
 FIG. 4 is a left view thereof;  
 FIG. 5 is a rear view thereof;  
 FIG. 6 is a top view thereof;  
 FIG. 7 is a bottom view thereof; and,  
 FIG. 8 is a bottom, front, right perspective view thereof.

**1 Claim, 7 Drawing Sheets**



# US D655,198 S

Page 2

## U.S. PATENT DOCUMENTS

D387,670 S	12/1997	Larkin	D542,669 S	5/2007	Arthur et al.
D411,740 S	6/1999	Kim	D544,364 S	6/2007	Archeny et al.
D413,265 S	8/1999	Hestehave et al.	D547,198 S	7/2007	Eaton et al.
D413,511 S	9/1999	Guthrie et al.	D547,665 S	7/2007	Lepoitevin
D422,493 S	4/2000	Clarke	D547,670 S	7/2007	Heisner
D425,793 S	5/2000	Walker	D548,092 S	8/2007	Klemm
D427,513 S	7/2000	Boisset	D555,500 S	11/2007	Johnston et al.
D437,226 S	2/2001	Sadeghi et al.	D560,508 S	1/2008	Lepoitevin
D442,089 S	5/2001	Sadeghi et al.	D566,570 S	4/2008	Pence et al.
D443,513 S	6/2001	Goettner	D567,098 S	4/2008	Sequeira
D447,698 S	9/2001	Kaufman	D568,754 S	5/2008	Sequeira
D452,650 S	1/2002	Moore et al.	D569,261 S	5/2008	Sequeira
D456,272 S	4/2002	Sadeghi et al.	D573,031 S	7/2008	Hestehave
D457,437 S	5/2002	Sadeghi et al.	D577,593 S	9/2008	Hestehave
D458,145 S	6/2002	Sadeghi et al.	D578,007 S	10/2008	Hestehave
D458,146 S	6/2002	Sadeghi et al.	D578,399 S	10/2008	Hestehave
D458,147 S	6/2002	Sadeghi et al.	D578,889 S	10/2008	Sadiq
D458,148 S	6/2002	Sadeghi et al.	D579,338 S	10/2008	Hestehave
D460,695 S	7/2002	Sadeghi et al.	D583,236 S	12/2008	Fuchs
D463,281 S	9/2002	Druitt	D584,635 S	1/2009	Montgomery
D463,287 S	9/2002	Moore et al.	D588,463 S	3/2009	Forget
D465,730 S	11/2002	Druitt	D594,331 S	6/2009	Herb et al.
D468,213 S	1/2003	Moore et al.	D594,748 S	6/2009	Herb et al.
D477,066 S	7/2003	Lonczak et al.	D596,488 S	7/2009	Chupak
D480,315 S	10/2003	Sadeghi et al.	D596,942 S	7/2009	Britto
D480,644 S	10/2003	Druitt	D606,101 S	12/2009	Kamath et al.
D483,675 S	12/2003	Lindsay et al.	D606,401 S	12/2009	Kamath et al.
D488,060 S	4/2004	Yourist	D608,201 S	1/2010	Fuchs
D489,991 S	5/2004	Deubel et al.	D610,017 S	2/2010	Howell
D491,068 S	6/2004	Heliste et al.	D610,913 S	3/2010	Lesueur
6,783,014 B2	8/2004	Luker	D611,356 S	3/2010	Kaminski et al.
D500,677 S	1/2005	Druitt	D612,256 S	3/2010	Wurster et al.
D510,026 S	9/2005	Nelson et al.	D612,257 S	3/2010	Wurster et al.
D510,523 S	10/2005	Pitman et al.	D613,162 S	4/2010	Druitt
6,997,336 B2	2/2006	Yourist et al.	D613,175 S	4/2010	Delbon
D525,141 S	7/2006	Beard et al.	D616,745 S	6/2010	Stull et al.
D525,529 S	7/2006	Oguchi et al.	D616,746 S	6/2010	Stull et al.
D526,209 S	8/2006	Beard et al.	D616,747 S	6/2010	Stull et al.
D526,210 S	8/2006	Beard et al.	D617,191 S	6/2010	Stull et al.
D526,905 S	8/2006	Beard et al.	D617,203 S	6/2010	Yourist
D530,217 S	10/2006	Krause	D619,014 S	7/2010	Jensen et al.
D531,042 S	10/2006	Venkataraman et al.	D623,070 S	9/2010	Jamison et al.
D533,408 S	12/2006	Jackson et al.	D623,528 S	9/2010	Brandt
D534,808 S	1/2007	Haubert, III et al.	D623,530 S	9/2010	Ungrady
D535,189 S	1/2007	Pitman et al.	D623,531 S	9/2010	Ungrady et al.
D536,257 S	2/2007	Weber	D624,422 S	9/2010	Caldwell et al.
D538,464 S	3/2007	Chen	D624,823 S	10/2010	Brown
D539,158 S	3/2007	Miller et al.	D629,305 S	12/2010	Arnell et al.
D539,159 S	3/2007	Slat et al.	D631,349 S	1/2011	Arnell et al.
D542,656 S	5/2007	Szczesniak	D643,291 S	8/2011	Haskins
			2005/0006334 A1	1/2005	Luker

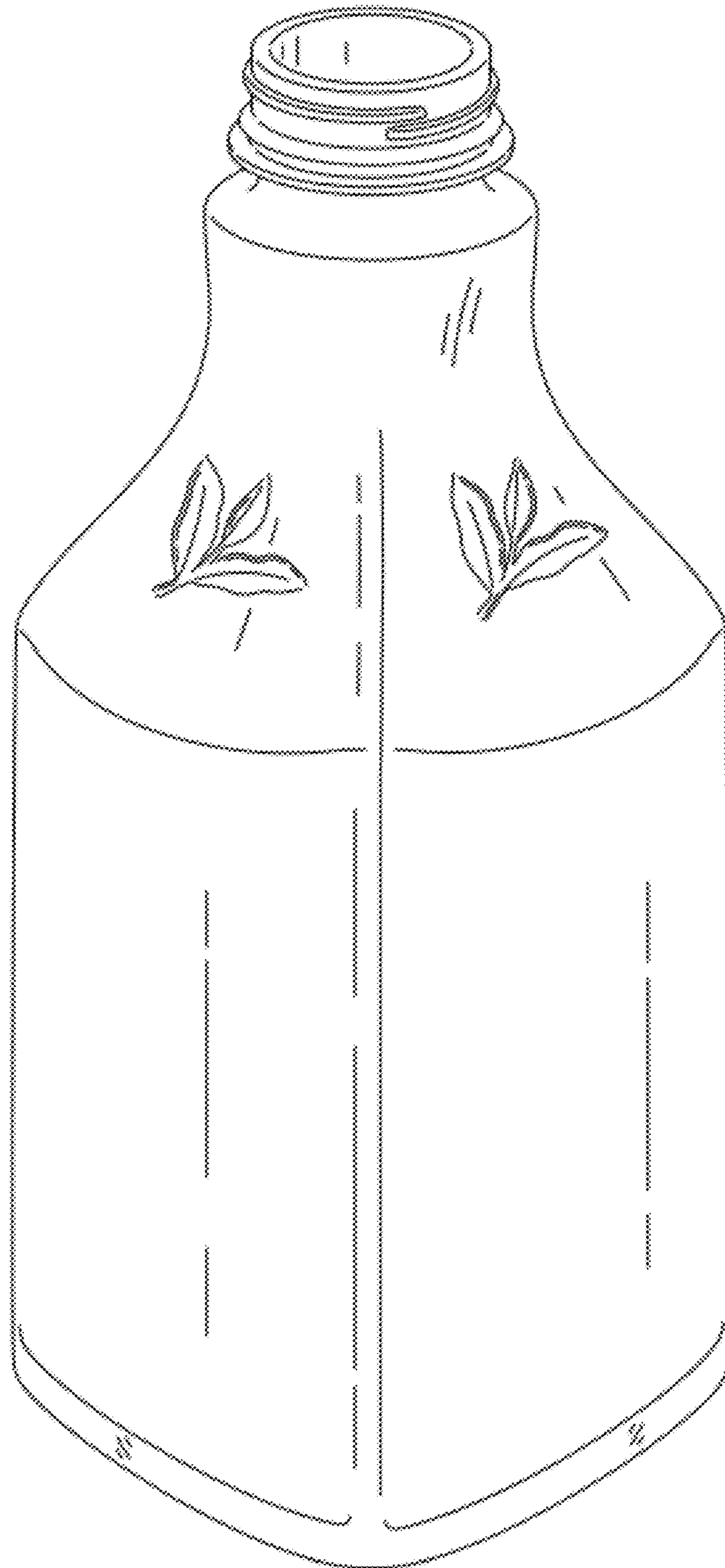


FIG. 1

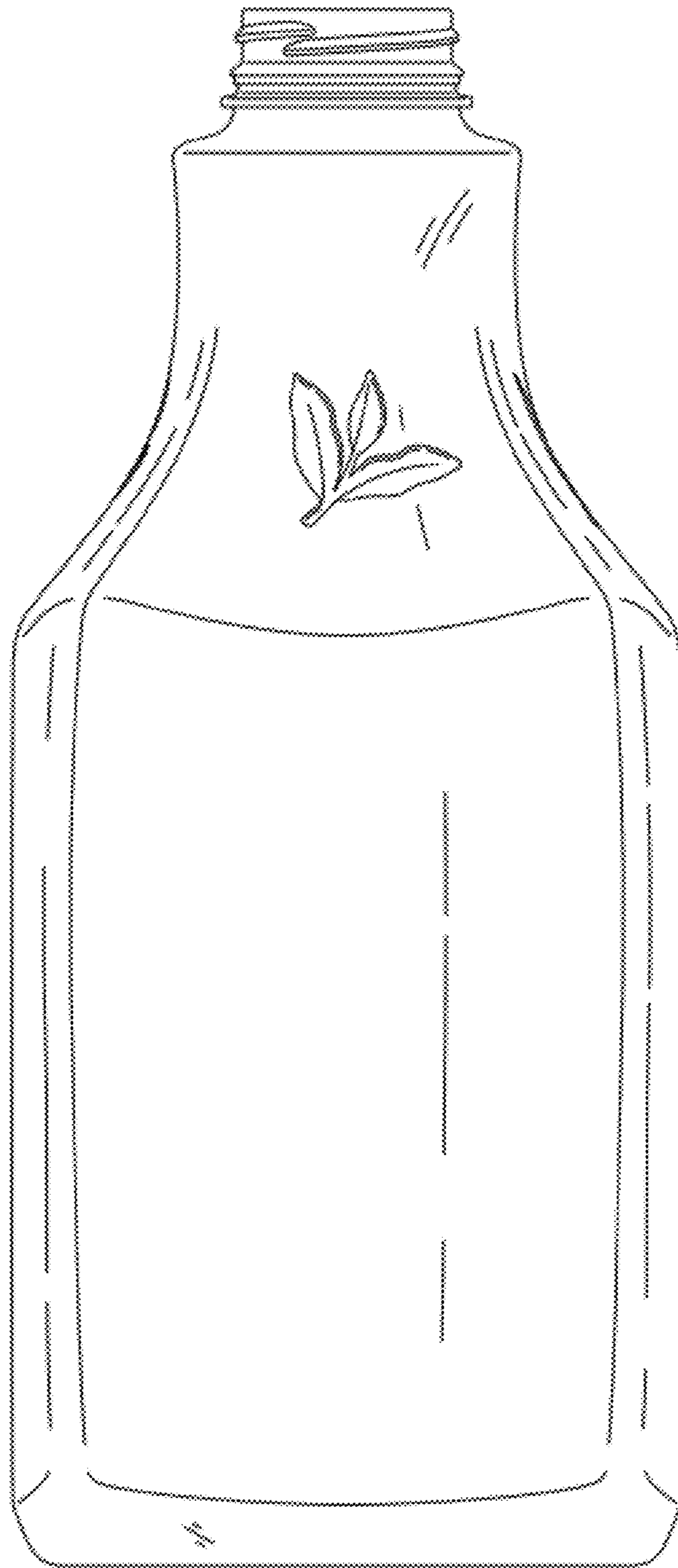


FIG. 2

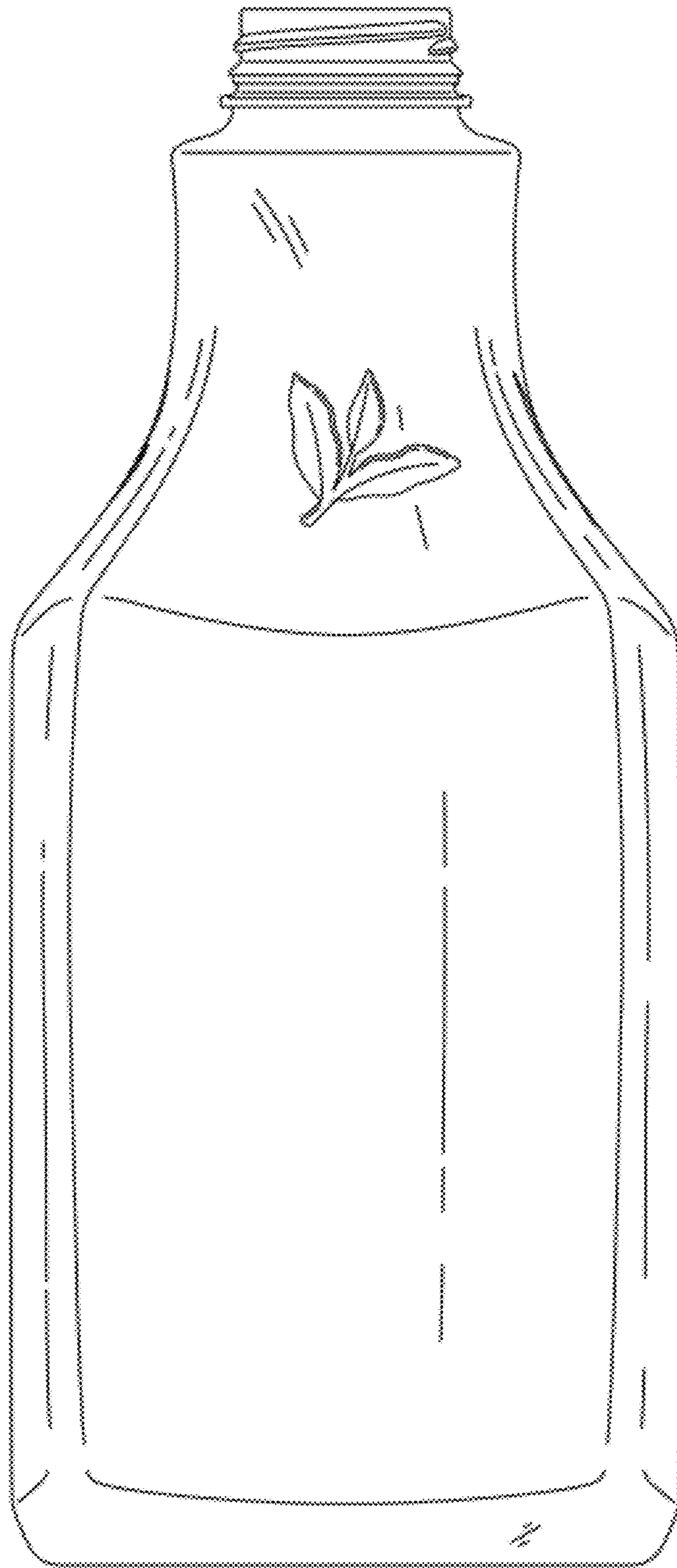


FIG. 3

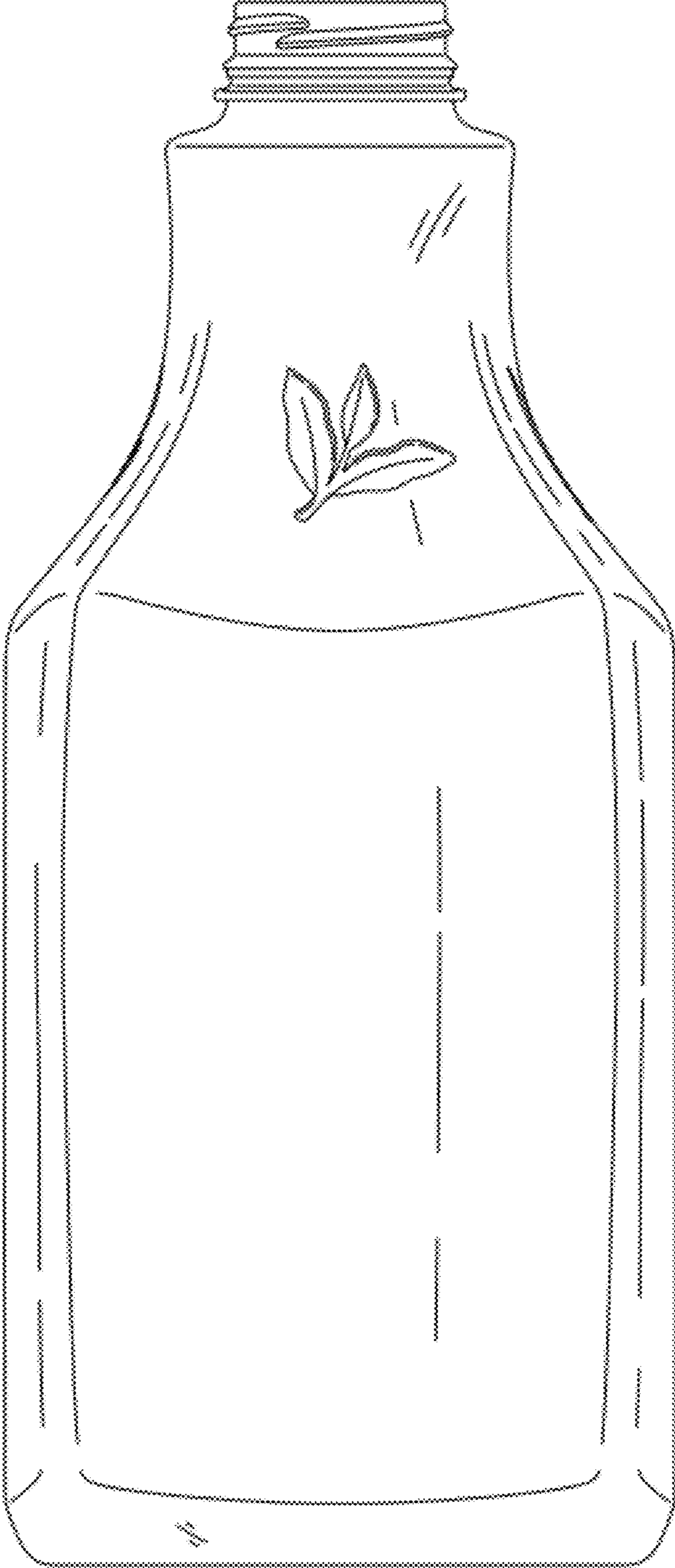


FIG. 4

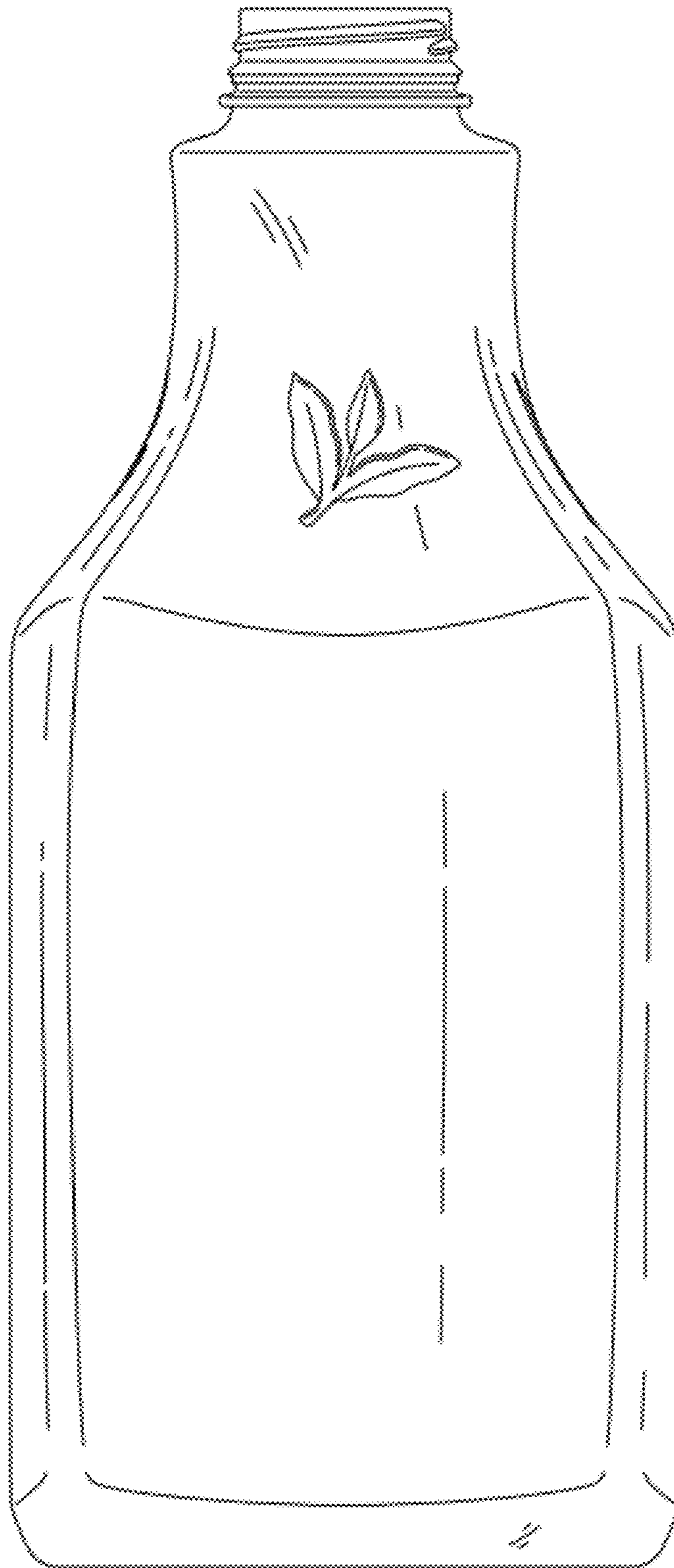


FIG. 5

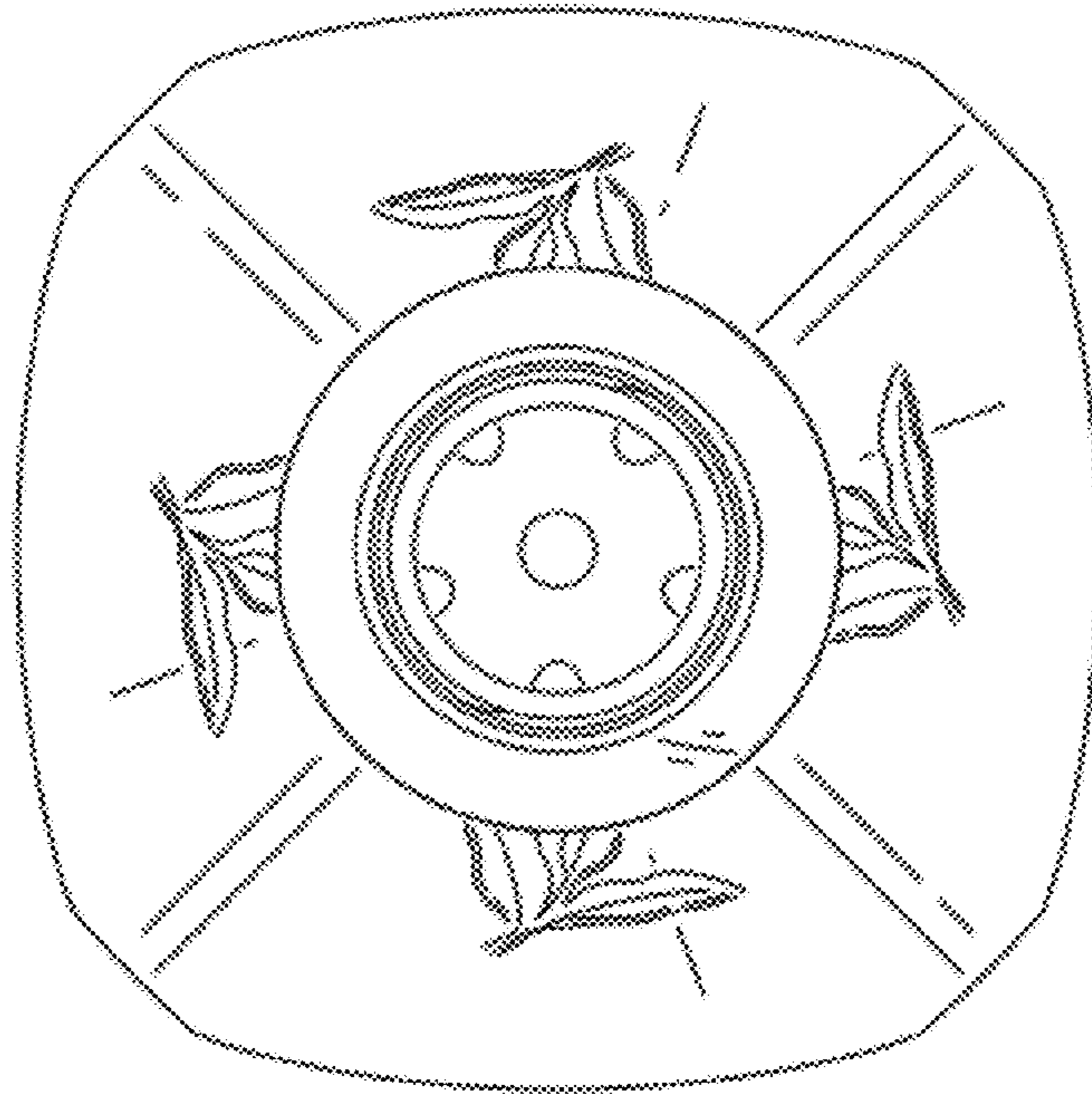


FIG. 6

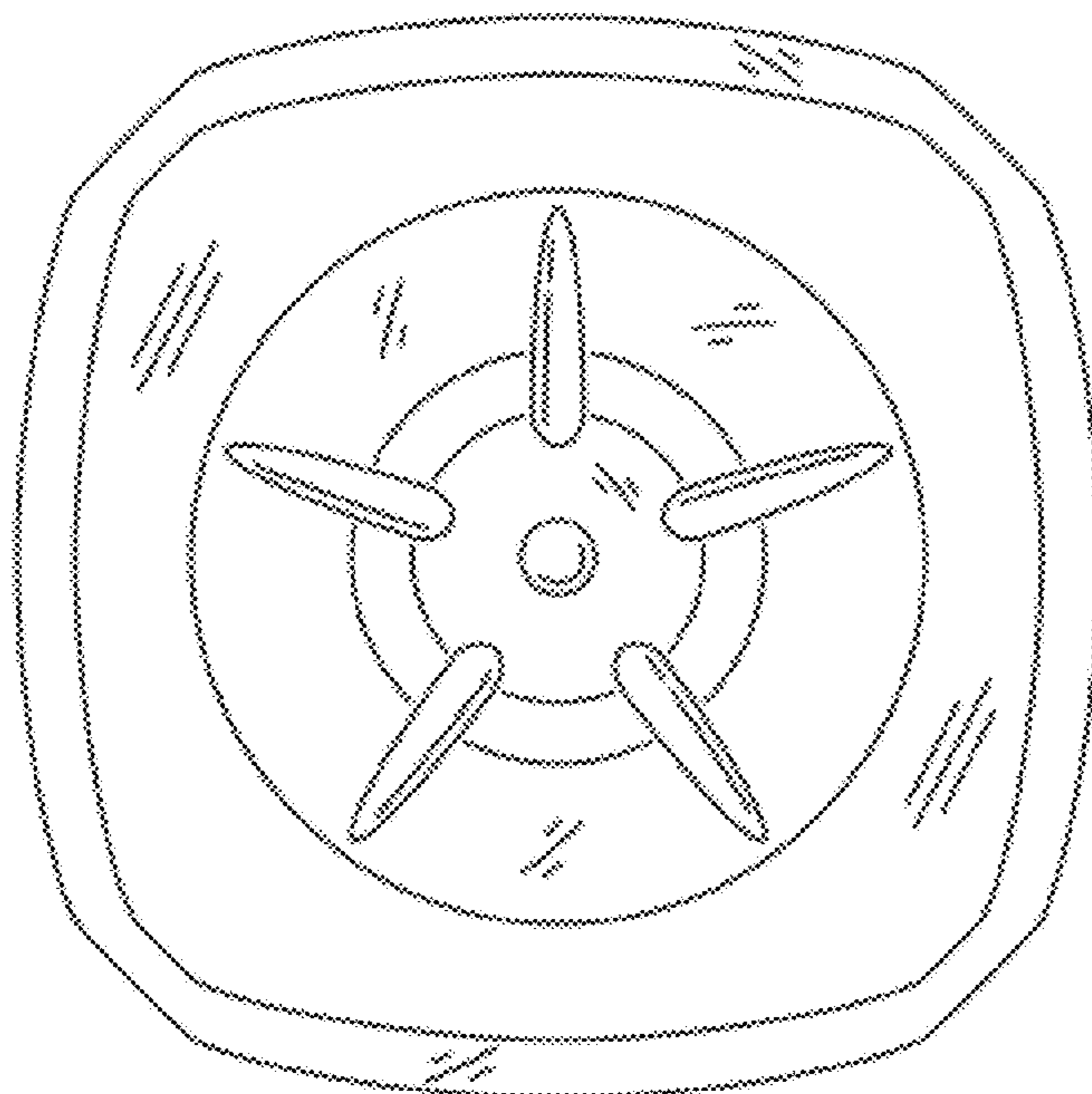


FIG. 7



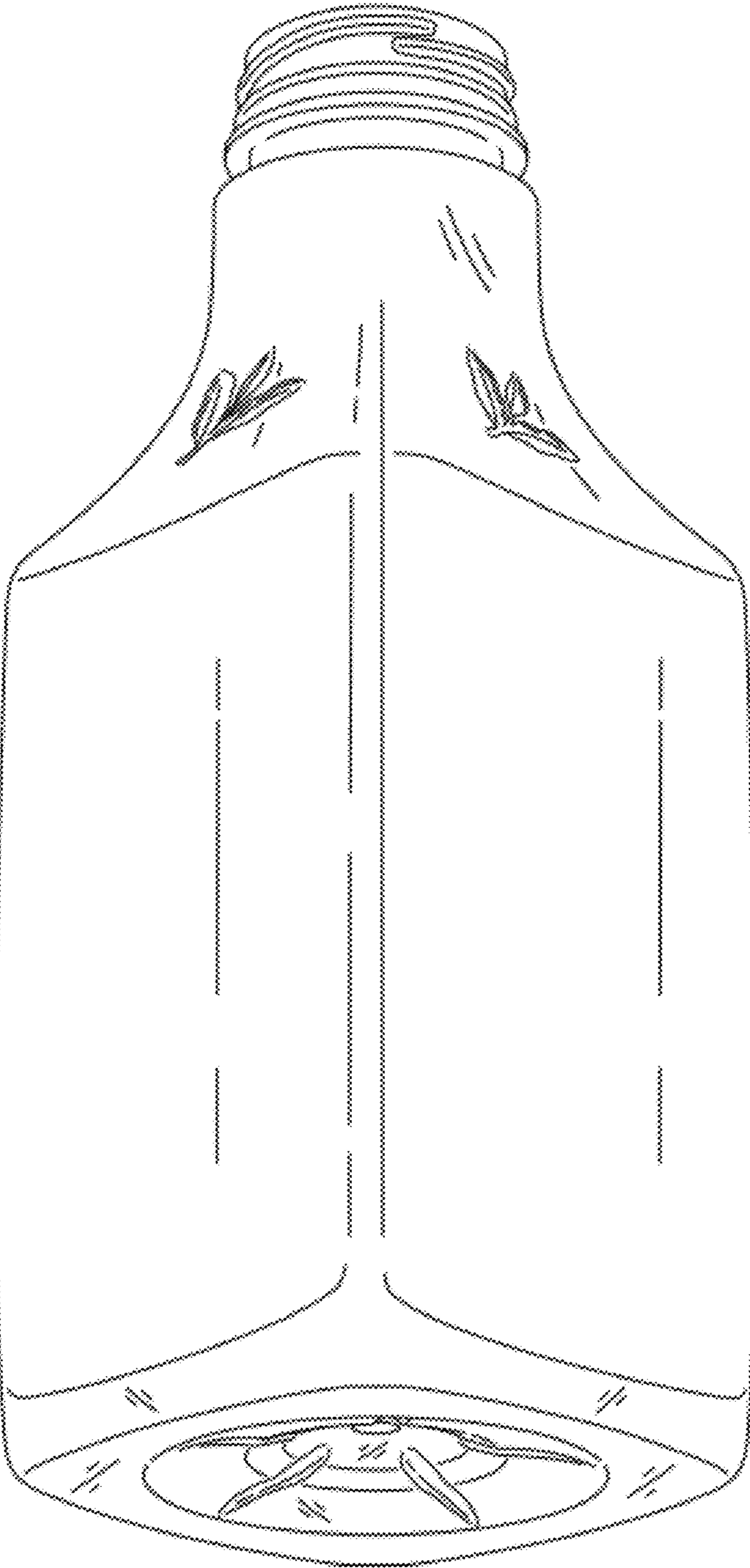


FIG. 8