



US00D655179S

(12) **United States Design Patent**
Kraft et al.

(10) **Patent No.:** **US D655,179 S**
(45) **Date of Patent:** **** Mar. 6, 2012**

(54) **BOTTLE**

(75) Inventors: **Richard Kraft**, Shorewood, IL (US);
Bryan J. Lembke, Crystal Lake, IL (US)

(73) Assignee: **Tropicana Products, Inc.**, Bradenton,
FL (US)

(**) Term: **14 Years**

(21) Appl. No.: **29/377,076**

(22) Filed: **Oct. 15, 2010**

(51) **LOC (9) Cl.** **09-01**

(52) **U.S. Cl.** **D9/560; D9/570; D9/571; D9/574**

(58) **Field of Classification Search** D9/682,
D9/684, 686, 693-694, 516, 537-541, 544-546,
D9/556-561, 569-571, 574-575; 215/381-385;
D24/121, 197-199, 224

See application file for complete search history.

(56) **References Cited**

U.S. PATENT DOCUMENTS

D30,758 S *	5/1899	Wipf	D9/546
D110,262 S *	6/1938	Steuer	D9/502
D178,258 S	7/1956	North		
D201,052 S	5/1965	Josephsen		
3,225,950 A	12/1965	Fulcher et al.		
D203,883 S	2/1966	Wood		
D203,884 S	2/1966	Wood		
3,464,546 A *	9/1969	Thomka	206/524.3
D227,343 S	6/1973	Finkel		
4,308,955 A	1/1982	Schieser et al.		
D264,942 S	6/1982	Schieser et al.		
D266,741 S	11/1982	Cox		
D268,324 S	3/1983	Gautier		
D272,889 S	3/1984	Walton		
D275,267 S	8/1984	Gautier		
D292,378 S *	10/1987	Brandt et al.	D9/557
D308,482 S	6/1990	Wild		
D329,868 S *	9/1992	Sakaguchi et al.	D18/43
D347,391 S	5/1994	Guertin		

D351,341 S *	10/1994	Hung	D9/557 X
D379,763 S	6/1997	Ewing, Jr.		
D382,807 S	8/1997	Silvers et al.		
D398,539 S	9/1998	Guislain		
D400,794 S *	11/1998	Takeuchi et al.	D9/570 X
D423,366 S	4/2000	Gans		
D423,935 S	5/2000	Frazer		

(Continued)

FOREIGN PATENT DOCUMENTS

CA 92746 6/2001

(Continued)

OTHER PUBLICATIONS

Canadian Trademark Application No. 1368594, Filed Oct. 23, 2007,
OGILVY RENAULT LLP/S.E.N.C.R.L., S.R.L.

Primary Examiner — Carol P Rademaker

(74) *Attorney, Agent, or Firm* — Banner & Witcoff, Ltd.

(57) **CLAIM**

The ornamental design for a bottle, as shown and described.

DESCRIPTION

FIG. 1 is a top, front, left perspective view of a bottle showing our new design;

FIG. 2 is a bottom, front, left perspective view thereof;

FIG. 3 is a front elevational view thereof;

FIG. 4 is a right side elevational view thereof;

FIG. 5 is a rear elevational view thereof;

FIG. 6 is a left side elevational view thereof;

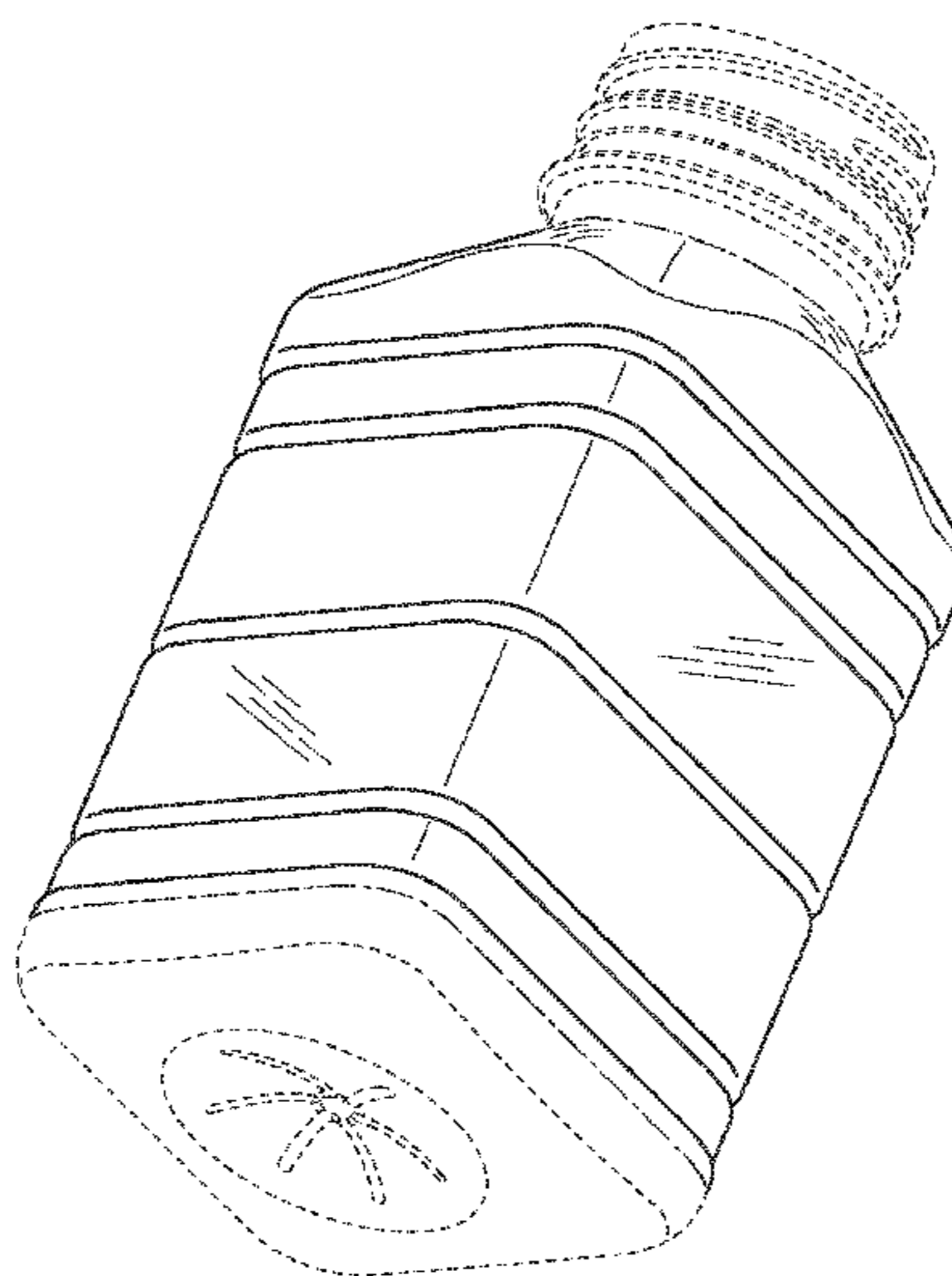
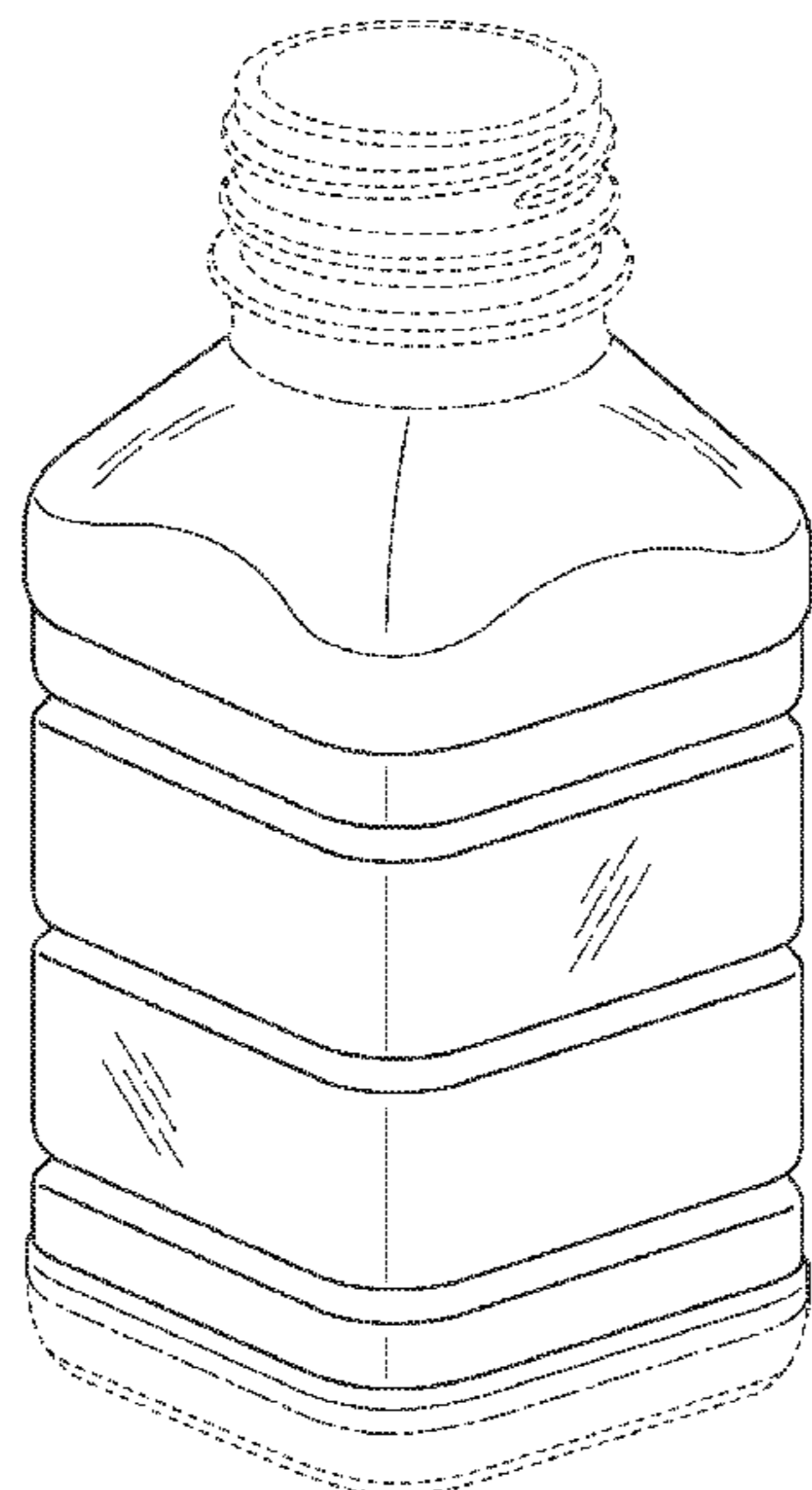
FIG. 7 is a top plan view thereof; and,

FIG. 8 is a bottom plan view thereof.

The dot-dash-dot-dash broken lines shown in the drawings represent unclaimed boundaries of the claimed design.

The dot-dot-dot-dot broken lines shown in the drawings are included for the purpose of illustrating environmental structure and form no part of the claimed design.

1 Claim, 5 Drawing Sheets



US D655,179 S

Page 2

U.S. PATENT DOCUMENTS

D426,161 S 6/2000 Hestehave et al.
 D426,164 S 6/2000 Gans et al.
 D426,469 S 6/2000 Mankowski et al.
 D435,455 S 12/2000 Gans
 6,230,912 B1 * 5/2001 Rashid 215/383
 D444,391 S 7/2001 Bansal et al.
 D448,674 S 10/2001 Mooney
 D448,675 S 10/2001 Thierjung
 D455,656 S 4/2002 Gans et al.
 D465,418 S 11/2002 Thierjung
 D466,022 S 11/2002 Hirst et al.
 D467,507 S * 12/2002 Bryant et al. D9/570
 D468,645 S 1/2003 Nelson et al.
 D471,466 S 3/2003 Nelson et al.
 D475,615 S * 6/2003 Podlucky D9/669
 D476,576 S 7/2003 Hirst et al.
 D482,978 S 12/2003 Nelson
 D486,739 S 2/2004 Taylor et al.
 D498,143 S 11/2004 Rashid
 D506,142 S * 6/2005 Gauthier D9/560
 D521,868 S * 5/2006 Arima D9/502
 D530,212 S 10/2006 Darr et al.
 D531,913 S 11/2006 Heisner et al.
 D541,656 S * 5/2007 Martin D9/502
 D542,668 S 5/2007 Arthur et al.
 D542,669 S 5/2007 Arthur et al.
 D543,863 S 6/2007 Archeny et al.
 D552,478 S * 10/2007 Melrose et al. D9/560
 D557,612 S * 12/2007 Slimane D9/687
 D558,584 S 1/2008 Blank
 7,350,657 B2 4/2008 Eaton et al.
 D580,270 S 11/2008 Futral
 D403,620 S 1/2009 Taylor
 D587,126 S 2/2009 DeSico et al.
 D588,466 S * 3/2009 Sukhanovskiy D9/570 X
 7,520,399 B2 4/2009 Lane et al.
 D594,751 S 6/2009 Bourne
 D599,673 S * 9/2009 Bourne D9/560
 D601,906 S 10/2009 Leruste
 D605,952 S 12/2009 Inoi et al.
 D607,338 S 1/2010 Zoppas
 D607,743 S 1/2010 Eble
 D608,211 S 1/2010 Eble
 D612,247 S 3/2010 Lembke
 D612,256 S 3/2010 Wurster et al.
 D612,257 S 3/2010 Wurster et al.
 7,673,764 B2 3/2010 Sabold

D618,111 S * 6/2010 Kaminski et al. D9/574
 D619,468 S 7/2010 Lembke
 D623,955 S 9/2010 Lembke
 D631,753 S * 2/2011 Russell et al. D9/571 X
 D632,182 S * 2/2011 Russell et al. D9/560
 D642,922 S * 8/2011 Kuzma et al. D9/538 X
 2006/0175284 A1 8/2006 Noll et al.
 2010/0270259 A1 10/2010 Russell et al.
 2011/0049085 A1 3/2011 Lembke

FOREIGN PATENT DOCUMENTS

CA	93049	7/2001
CA	94765	2/2002
CA	97717	2/2003
CA	97718	2/2003
CA	102161	3/2003
CA	98470	4/2003
CA	98471	4/2004
CA	104823	11/2004
CA	105677	7/2005
CA	108474	7/2006
CA	108475	7/2006
CA	110397	11/2006
CA	113924	6/2007
CA	115605	9/2007
CA	115975	11/2007
CA	115976	11/2007
CA	116099	3/2008
CA	120261	3/2008
CA	120301	6/2008
CA	123214	6/2008
CA	123274	9/2008
CA	124296	10/2008
CA	124855	10/2008
CA	124856	10/2008
CA	124973	11/2008
CA	125637	1/2009
CA	124974	3/2009
CA	131154	1/2010
CA	131155	1/2010
CA	132524	6/2010
CA	132883	6/2010
CA	135522	6/2010
CA	135523	6/2010
CA	135525	6/2010
CA	129982	7/2010

* cited by examiner

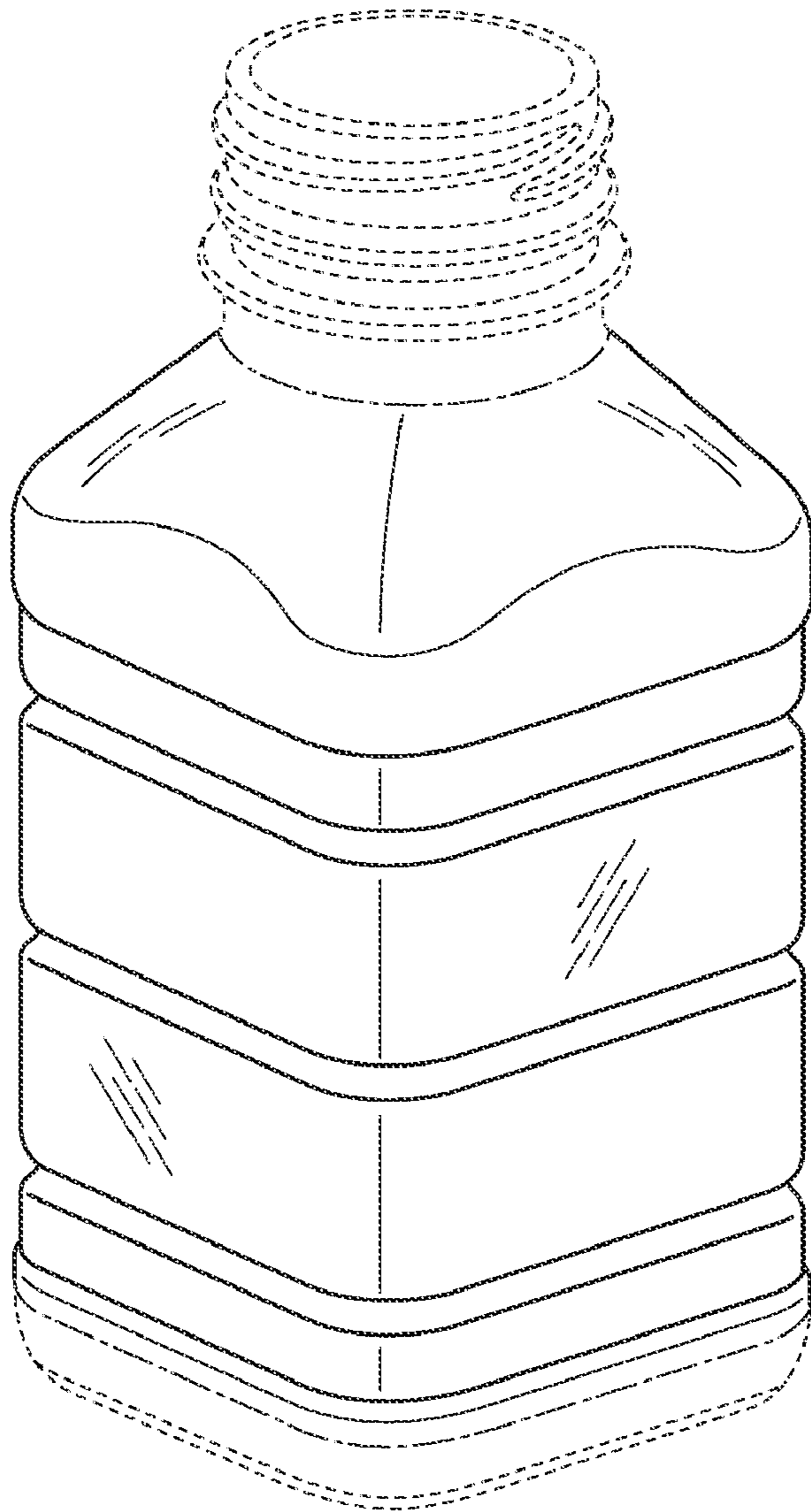


FIG. 1

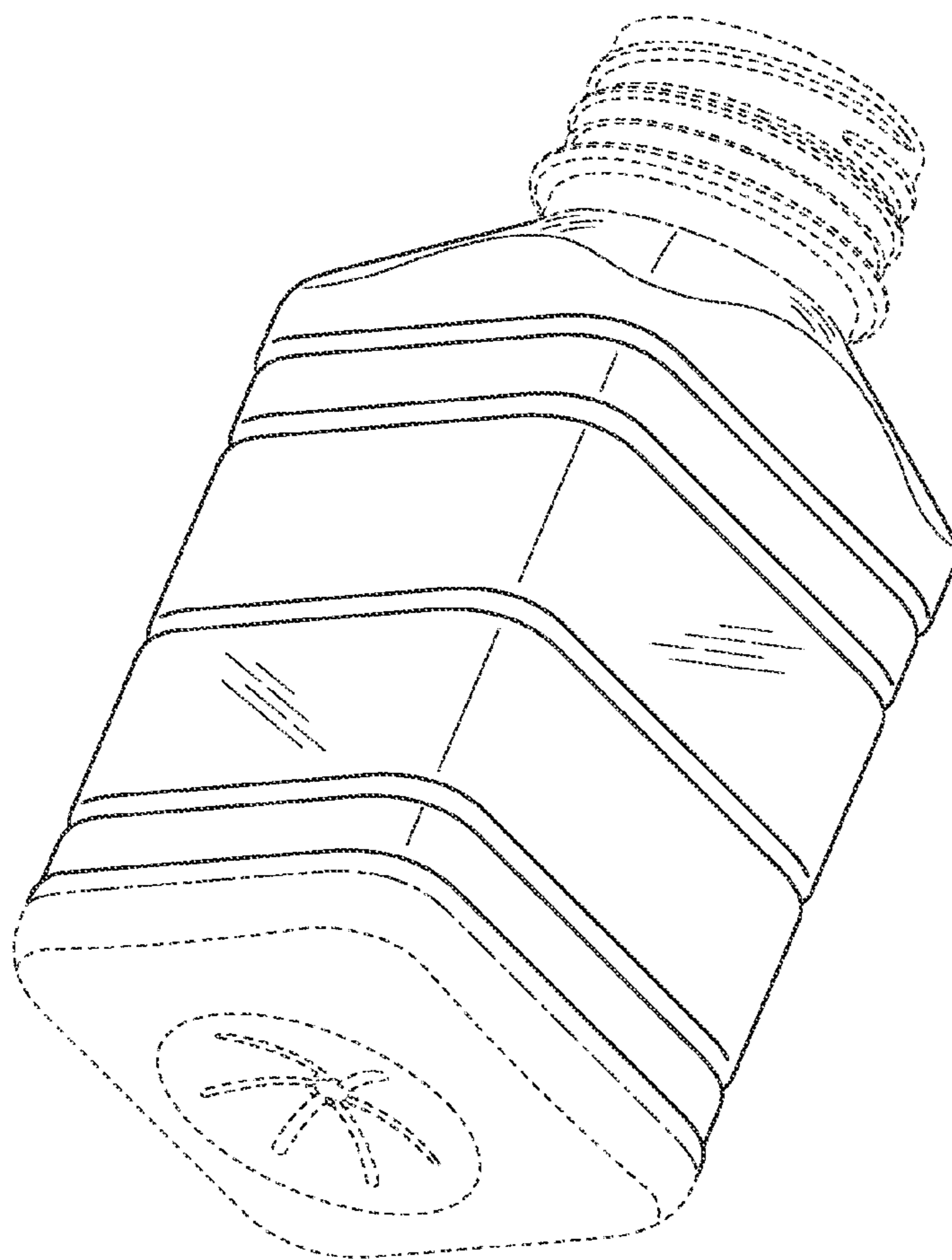


FIG. 2

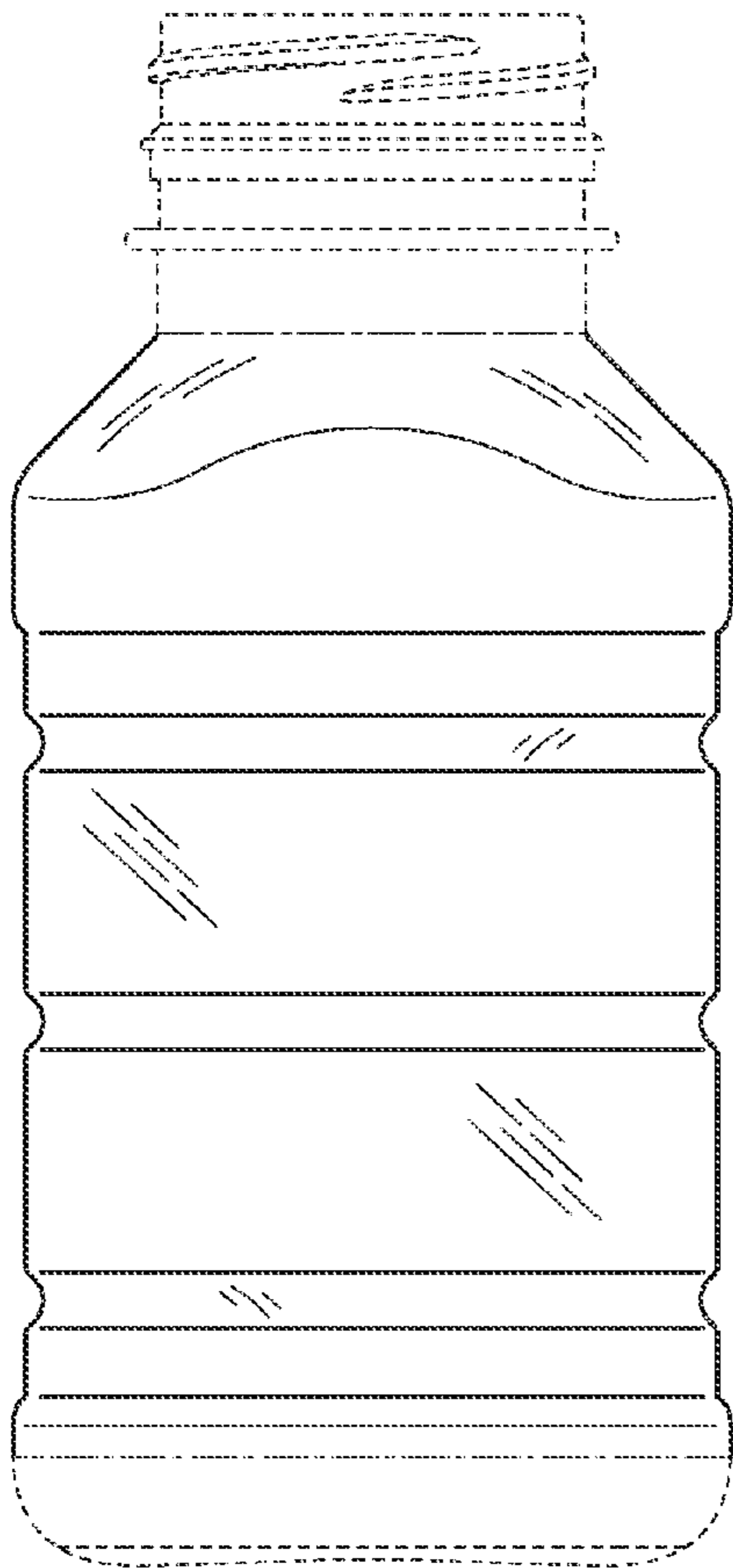


FIG. 3

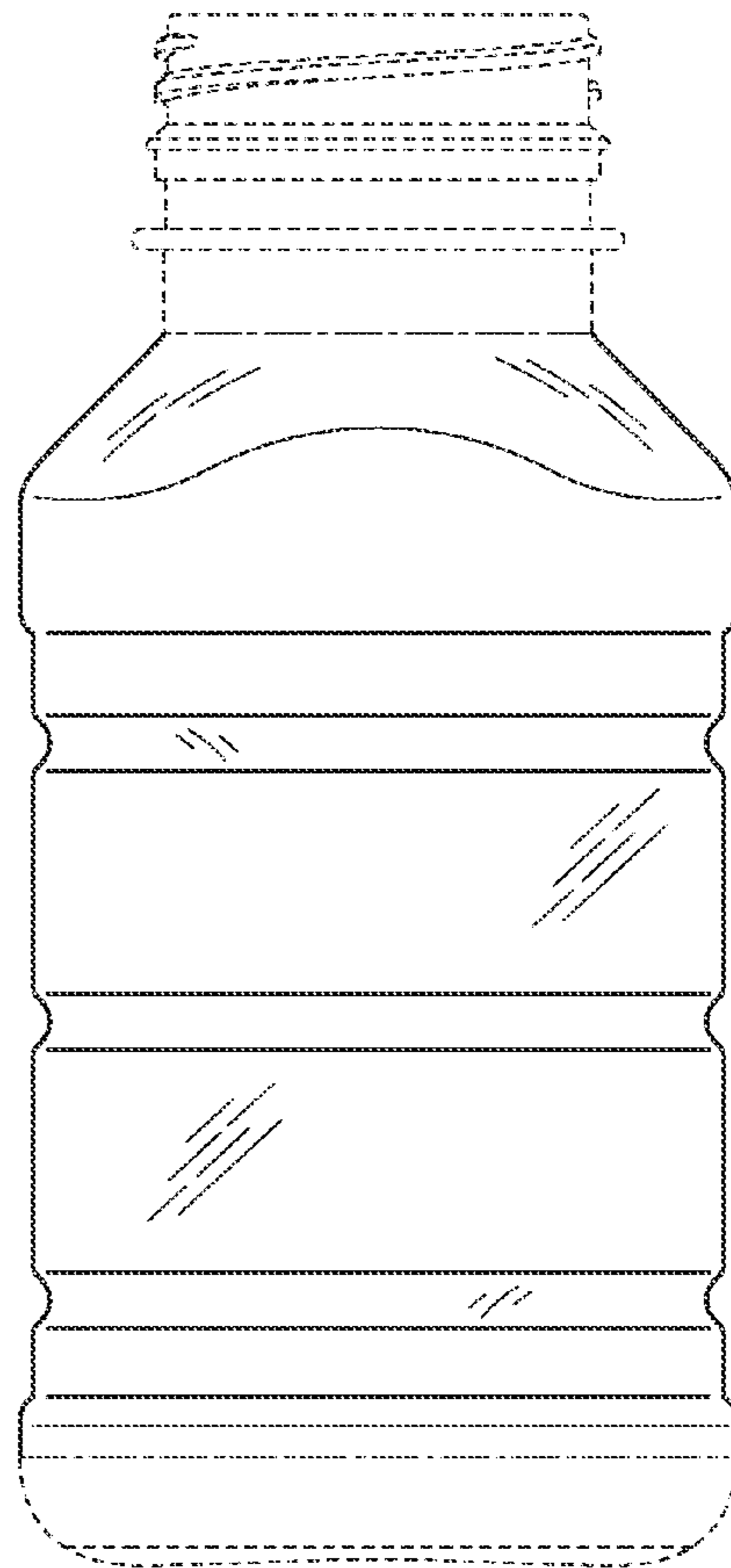


FIG. 4

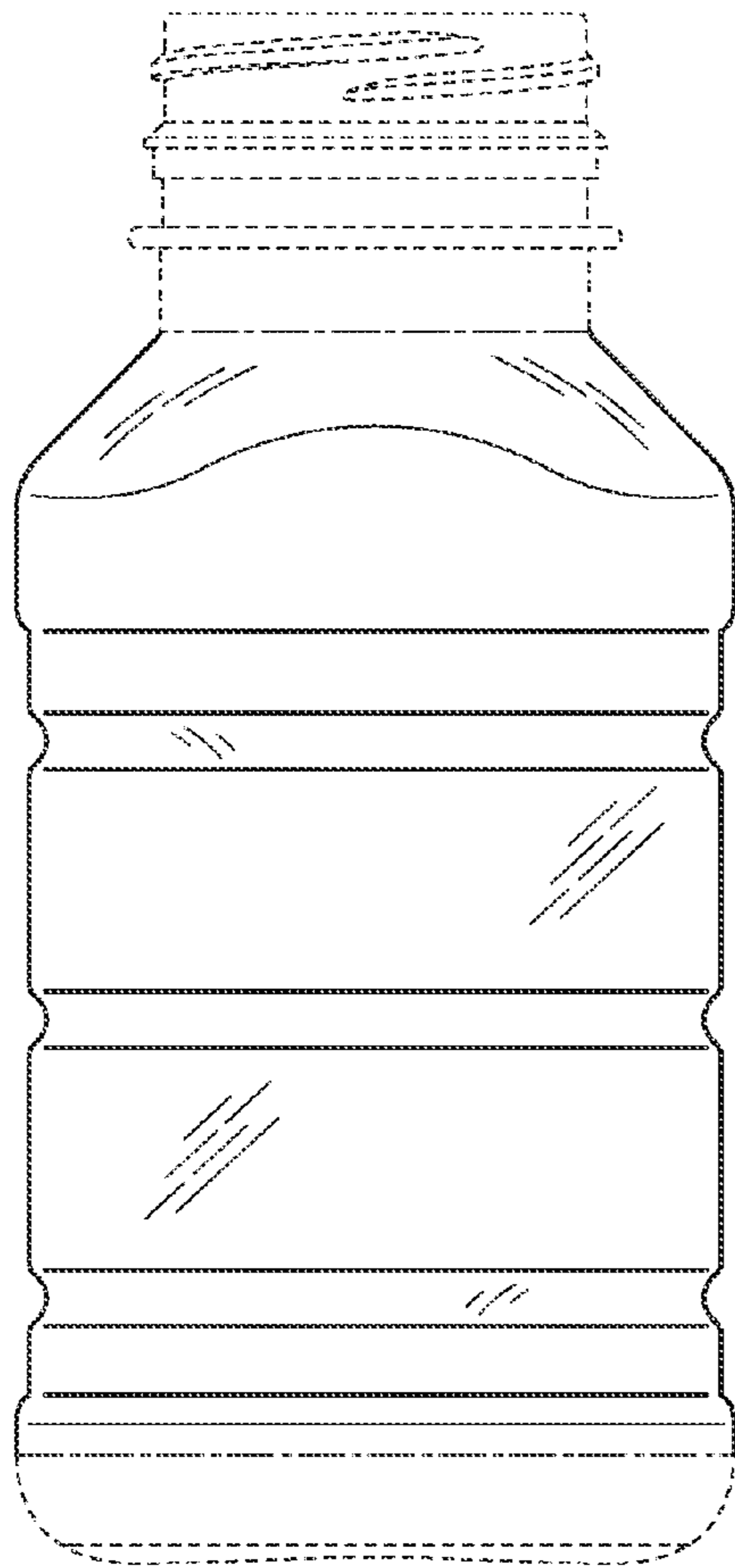


FIG. 5

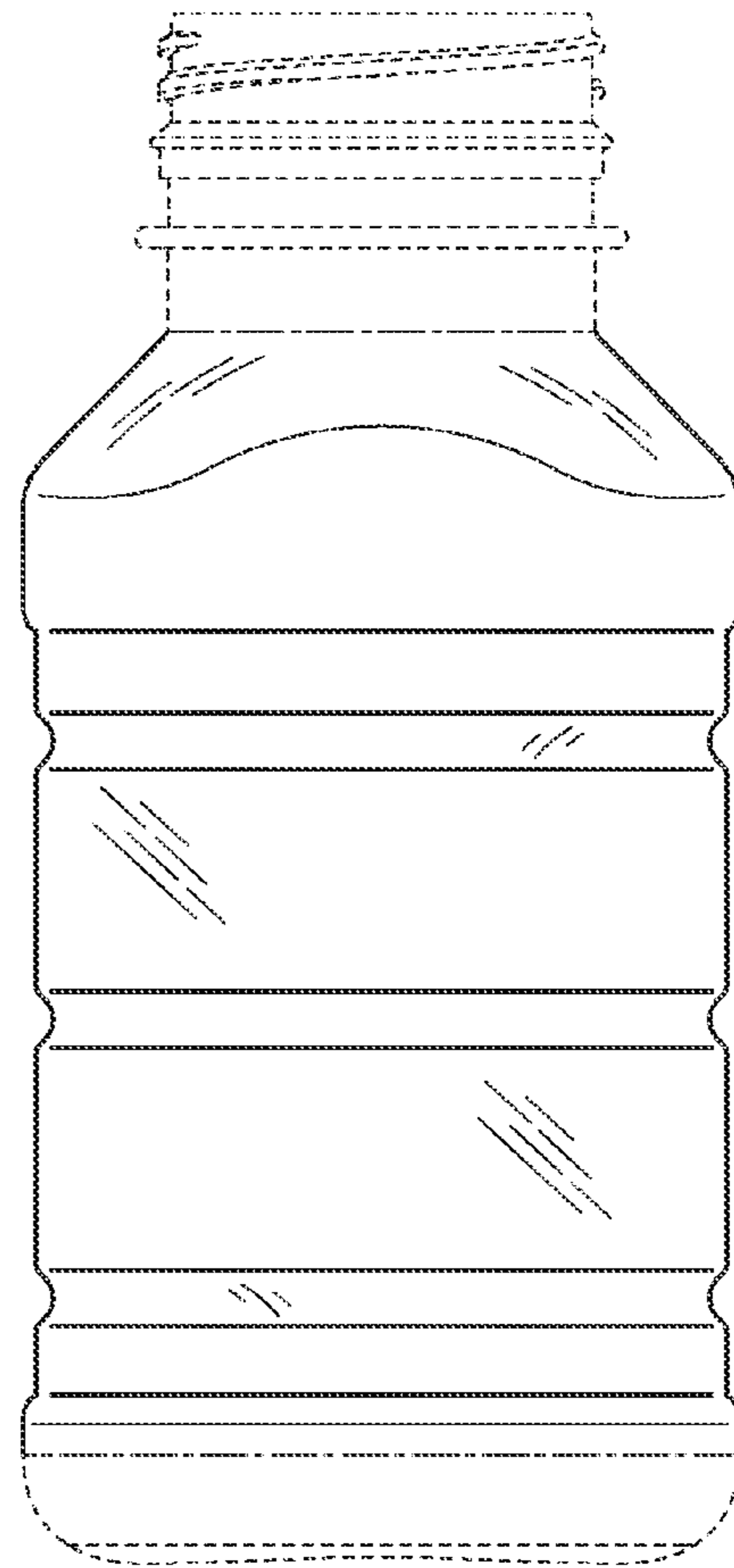


FIG. 6

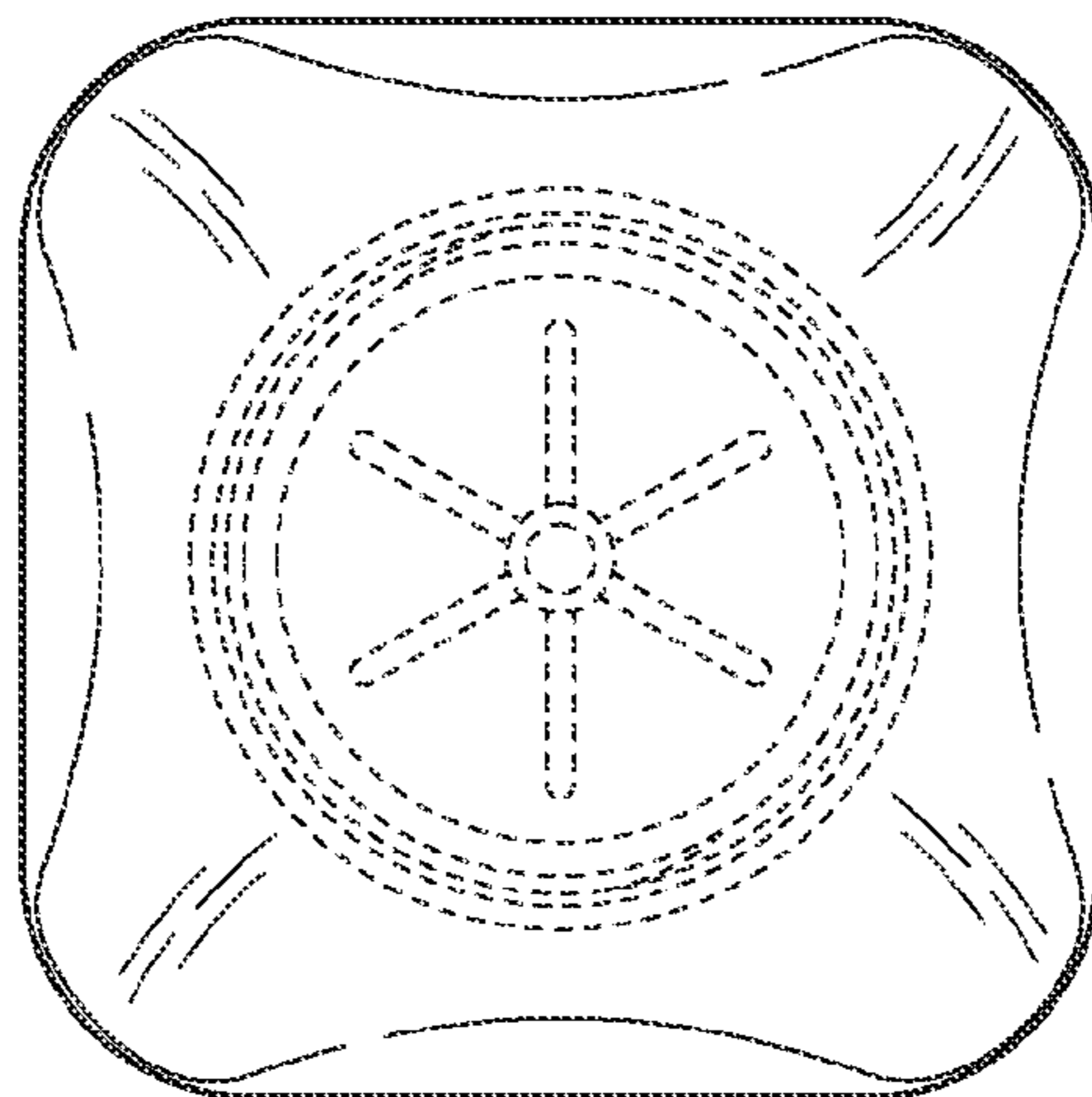


FIG. 7

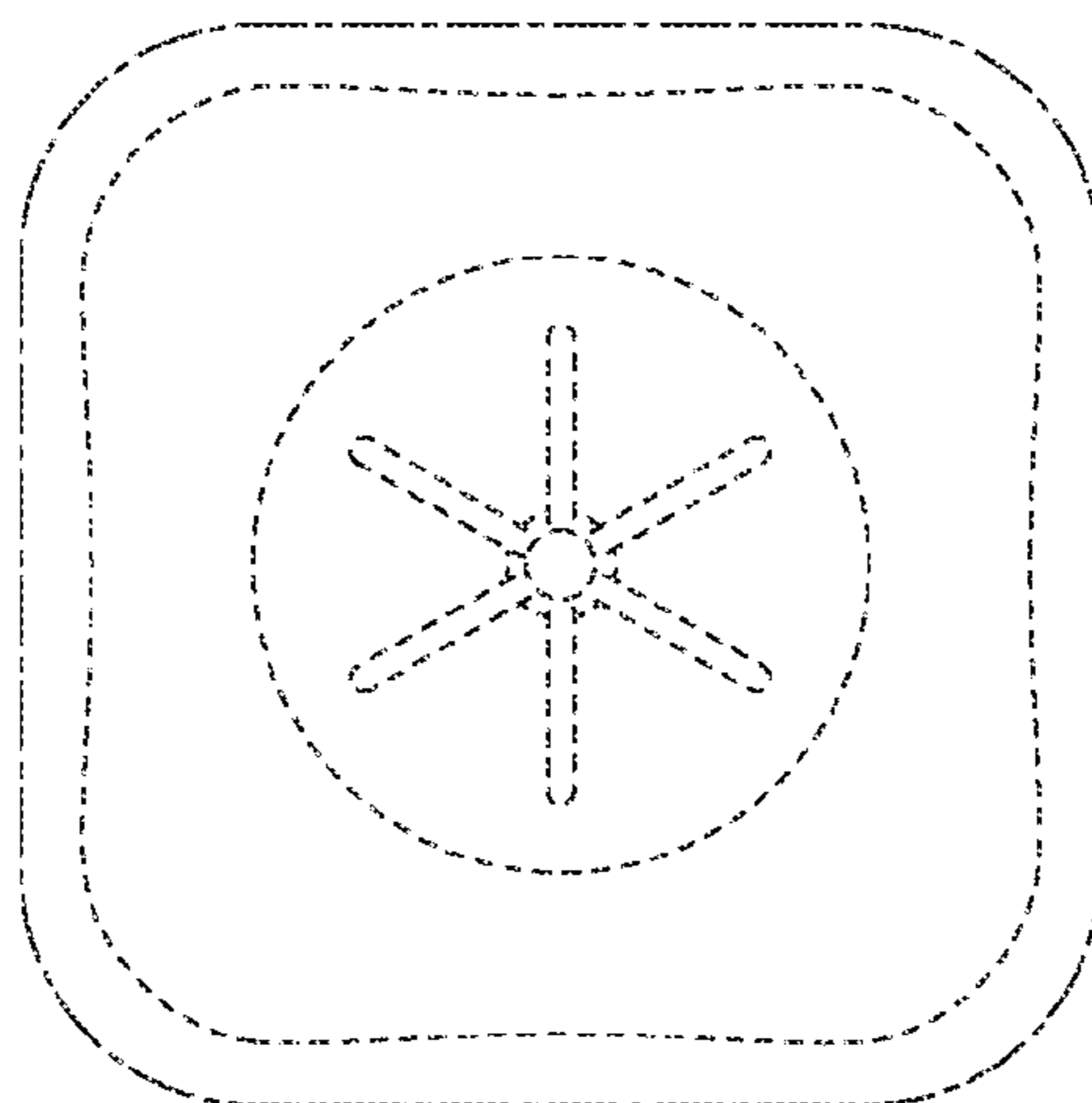


FIG. 8