



US00D655176S

(12) **United States Design Patent**
Kraft et al.

(10) **Patent No.:** **US D655,176 S**
(45) **Date of Patent:** **** Mar. 6, 2012**

- (54) **BOTTLE**
- (75) Inventors: **Richard Kraft**, Shorewood, IL (US);
Bryan J. Lembke, Crystal Lake, IL (US)
- (73) Assignee: **Tropicana Products, Inc.**, Bradenton,
FL (US)
- (**) Term: **14 Years**
- (21) Appl. No.: **29/377,081**
- (22) Filed: **Oct. 15, 2010**
- (51) **LOC (9) Cl.** **09-01**
- (52) **U.S. Cl.** **D9/541; D9/542; D9/560; D9/570;**
D9/571; D9/575
- (58) **Field of Classification Search** D9/682,
D9/684, 686, 693-694, 516, 537-541, 544-546,
D9/556-561, 569-571, 574-575; 215/381-385;
D24/121, 197-199, 224
See application file for complete search history.

D400,794 S * 11/1998 Takeuchi et al. D9/532
(Continued)

FOREIGN PATENT DOCUMENTS

CA 92746 6/2001
(Continued)

OTHER PUBLICATIONS

Canadian Trademark Application No. 1368594, Filed Oct. 23, 2007,
Ogilvy Renault LLP/S.E.N.C.R.L., S.R.L.

Primary Examiner — Carol P Rademaker

(74) *Attorney, Agent, or Firm* — Banner & Witcoff, Ltd.

(57) **CLAIM**

The ornamental design for a bottle, as shown and described.

DESCRIPTION

FIG. 1 is a top, front, left perspective view of a bottle showing a first embodiment of our new design;
 FIG. 2 is a bottom, front, left perspective view thereof;
 FIG. 3 is a front view thereof;
 FIG. 4 is a right side view thereof;
 FIG. 5 is a rear view thereof;
 FIG. 6 is a left side view thereof;
 FIG. 7 is a top view thereof;
 FIG. 8 is a bottom view thereof;
 FIG. 9 is a top, front, left perspective view of a bottle showing a second embodiment of our new design;
 FIG. 10 is a bottom, front, left perspective view thereof;
 FIG. 11 is a front view thereof;
 FIG. 12 is a right side view thereof;
 FIG. 13 is a rear view thereof;
 FIG. 14 is a left side view thereof;
 FIG. 15 is a top view thereof; and,
 FIG. 16 is a bottom view thereof.

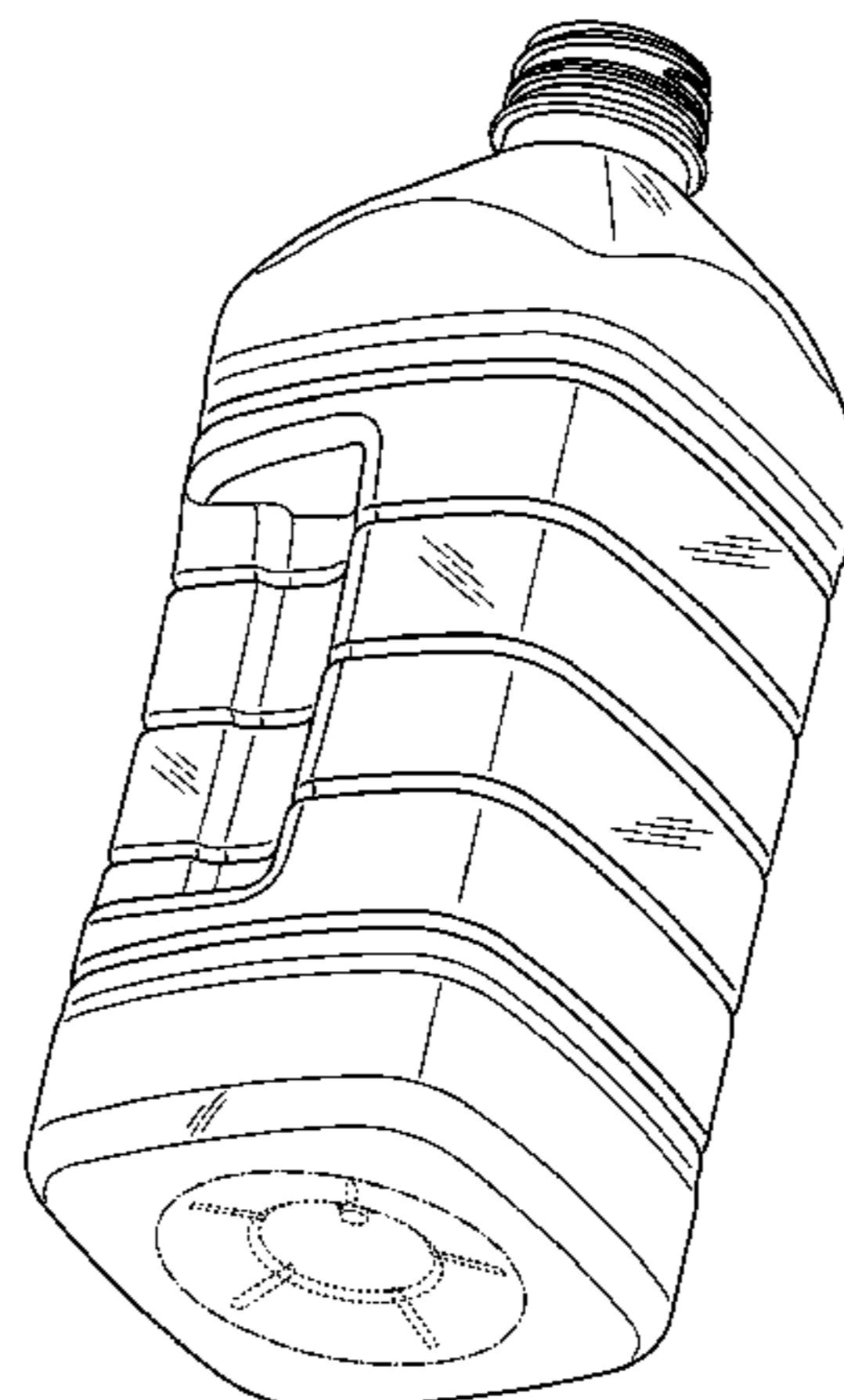
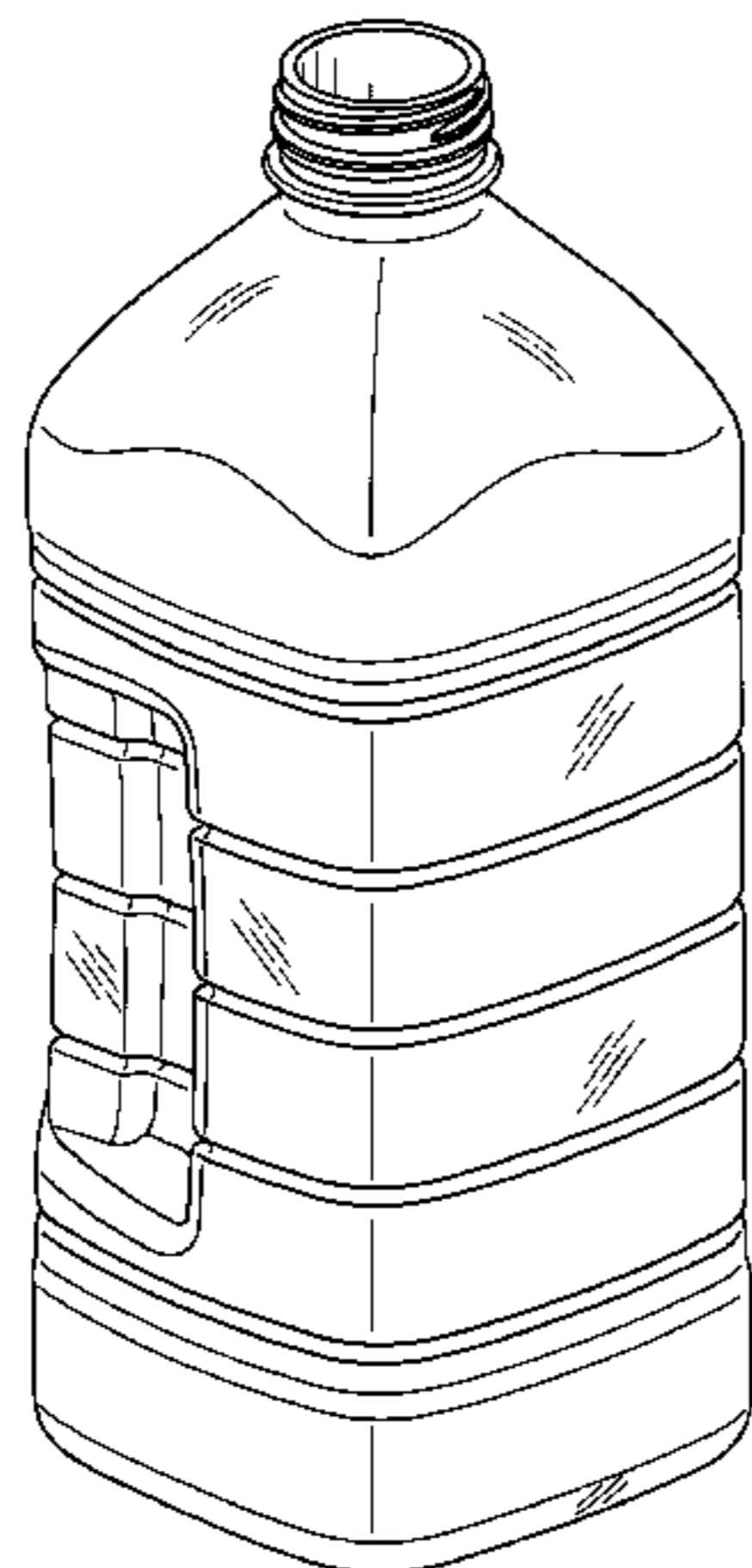
The dot-dash-dot-dash broken lines shown in the drawings represent unclaimed boundaries of the claimed design.
 The dot-dot-dot-dot broken lines shown in the drawings are included for the purpose of illustrating environmental structure and form no part of the claimed design.

1 Claim, 14 Drawing Sheets

(56) **References Cited**

U.S. PATENT DOCUMENTS

- D110,262 S * 6/1938 Steuer D9/502
- D178,258 S 7/1956 North
- D198,404 S * 6/1964 Busch D9/543 X
- D201,052 S 5/1965 Josephsen
- 3,225,950 A 12/1965 Fulcher et al.
- D203,883 S 2/1966 Wood
- D203,884 S 2/1966 Wood
- D227,343 S 6/1973 Finkel
- 3,923,185 A * 12/1975 Choksi et al. 215/384 X
- 4,308,955 A 1/1982 Schieser et al.
- D264,942 S 6/1982 Schieser et al.
- D266,741 S 11/1982 Cox
- D268,324 S 3/1983 Gautier
- D272,889 S 3/1984 Walton
- D275,267 S 8/1984 Gautier
- D292,378 S * 10/1987 Brandt et al. D9/557
- D308,482 S 6/1990 Wild
- D329,868 S * 9/1992 Sakaguchi et al. D9/570 X
- D347,391 S 5/1994 Guertin
- D351,341 S * 10/1994 Hung D9/719
- D379,763 S 6/1997 Ewing, Jr.
- D382,807 S 8/1997 Silvers et al.
- D398,539 S 9/1998 Guislain



US D655,176 S

Page 2

U.S. PATENT DOCUMENTS

D423,366	S	4/2000	Gans	
D423,935	S	5/2000	Frazer	
D426,161	S	6/2000	Hestehave et al.	
D426,164	S	6/2000	Gans et al.	
D426,469	S	6/2000	Mankowski et al.	
D435,455	S	12/2000	Gans	
6,230,912	B1 *	5/2001	Rashid	215/383
D444,391	S	7/2001	Bansal et al.	
D448,674	S	10/2001	Mooney	
D448,675	S	10/2001	Thierjung	
D455,656	S	4/2002	Gans et al.	
D465,418	S	11/2002	Thierjung	
D466,022	S	11/2002	Hirst et al.	
D467,507	S *	12/2002	Bryant et al.	D9/570
D468,645	S	1/2003	Nelson et al.	
D471,466	S	3/2003	Nelson et al.	
D476,576	S	7/2003	Hirst et al.	
D482,978	S	12/2003	Nelson	
D486,739	S	2/2004	Taylor et al.	
D498,143	S	11/2004	Rashid	
D503,620	S	4/2005	Taylor	
D506,142	S *	6/2005	Gauthier	D9/560
D521,868	S *	5/2006	Arima	D9/502
D530,212	S	10/2006	Darr et al.	
D531,913	S	11/2006	Heisner et al.	
D541,656	S *	5/2007	Martin	D9/502
D542,668	S	5/2007	Arthur et al.	
D542,669	S	5/2007	Arthur et al.	
D543,863	S	6/2007	Archeny et al.	
D552,478	S *	10/2007	Melrose et al.	D9/560
D557,612	S *	12/2007	Slimane	D9/687
D558,584	S	1/2008	Blank	
7,350,657	B2	4/2008	Eaton et al.	
D570,700	S *	6/2008	Laupie	D9/540
D580,270	S	11/2008	Futral	
D587,126	S	2/2009	DeSico et al.	
D588,466	S *	3/2009	Sukhanovskiy	D9/570 X
7,520,399	B2	4/2009	Lane et al.	
D593,865	S *	6/2009	Bourne	D9/541
D594,751	S	6/2009	Bourne	
D599,673	S *	9/2009	Bourne	D9/560
D601,906	S	10/2009	Leruste	
D605,952	S	12/2009	Inoi et al.	
D607,338	S	1/2010	Zoppas	
D607,743	S	1/2010	Eble	
D608,211	S	1/2010	Eble	
D612,256	S	3/2010	Wurster et al.	
D612,257	S	3/2010	Wurster et al.	

7,673,764	B2	3/2010	Sabold	
D618,111	S *	6/2010	Kaminski et al.	D9/574
D631,753	S *	2/2011	Russell et al.	D9/560
D632,182	S *	2/2011	Russell et al.	D9/560
D642,922	S *	8/2011	Kuzma et al.	D9/502
2006/0175284	A1	8/2006	Noll et al.	
2010/0270259	A1	10/2010	Russell et al.	
2011/0049085	A1	3/2011	Lembke	

FOREIGN PATENT DOCUMENTS

CA	93049	7/2001
CA	94765	2/2002
CA	97717	2/2003
CA	97718	2/2003
CA	102161	3/2003
CA	98470	4/2003
CA	98471	4/2004
CA	104823	11/2004
CA	105677	7/2005
CA	108474	7/2006
CA	108475	7/2006
CA	110397	11/2006
CA	113924	6/2007
CA	115605	9/2007
CA	115975	11/2007
CA	115976	11/2007
CA	116099	3/2008
CA	120261	3/2008
CA	120301	6/2008
CA	123214	6/2008
CA	123274	9/2008
CA	124296	10/2008
CA	124855	10/2008
CA	124856	10/2008
CA	124973	11/2008
CA	125637	1/2009
CA	124974	3/2009
CA	131154	1/2010
CA	131155	1/2010
CA	132524	6/2010
CA	132883	6/2010
CA	135522	6/2010
CA	135523	6/2010
CA	135525	6/2010
CA	129982	7/2010

* cited by examiner

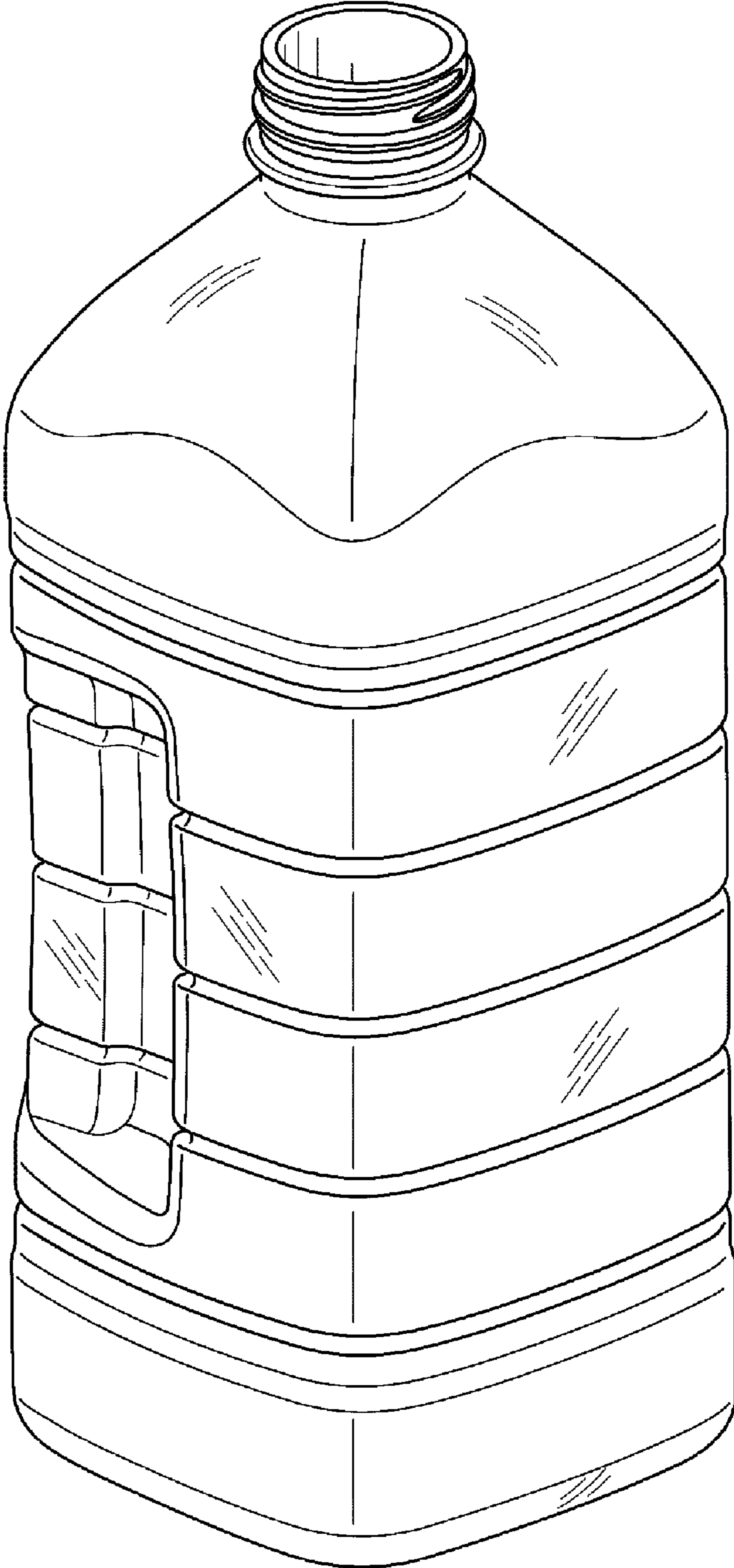


FIG. 1

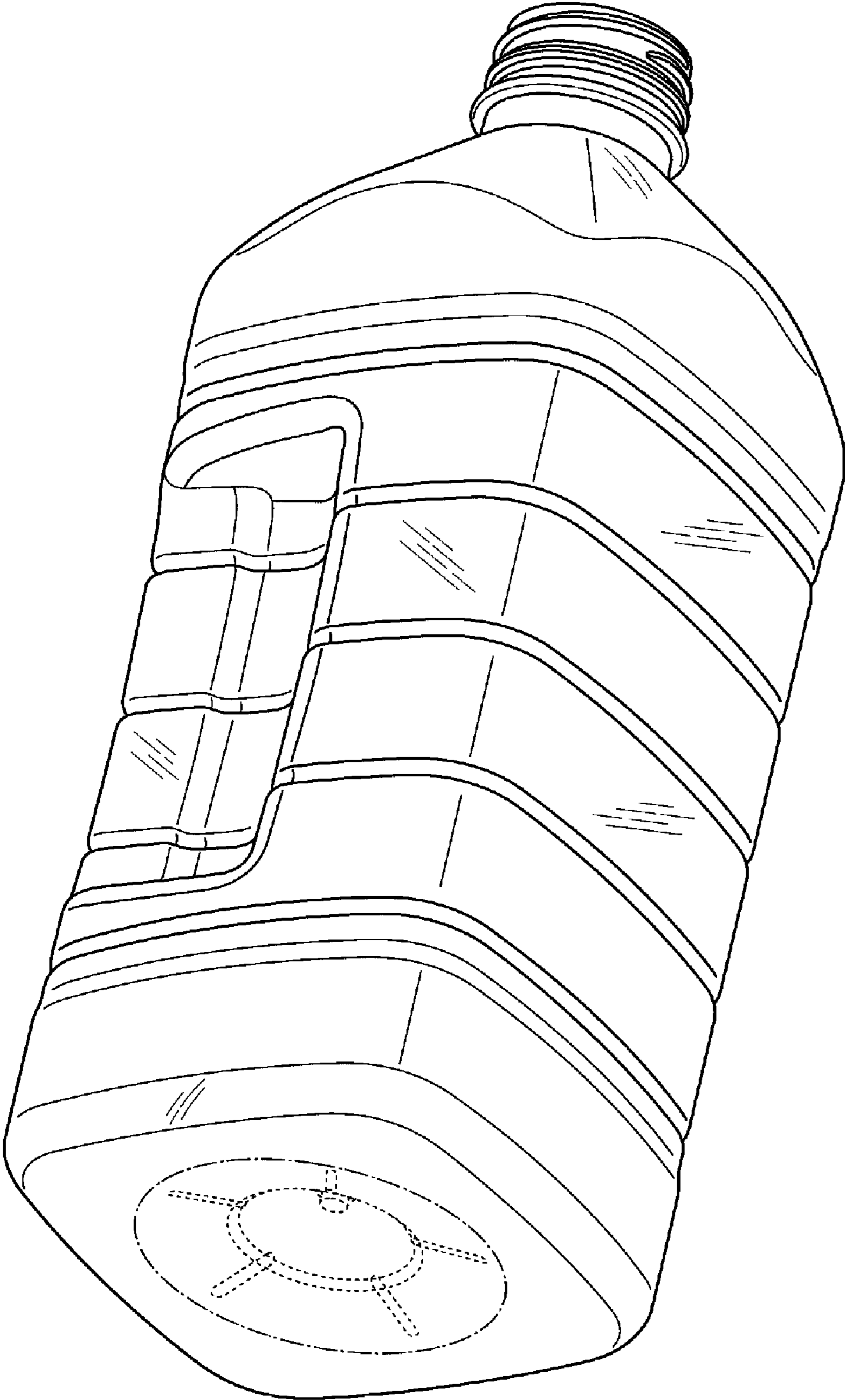


FIG. 2

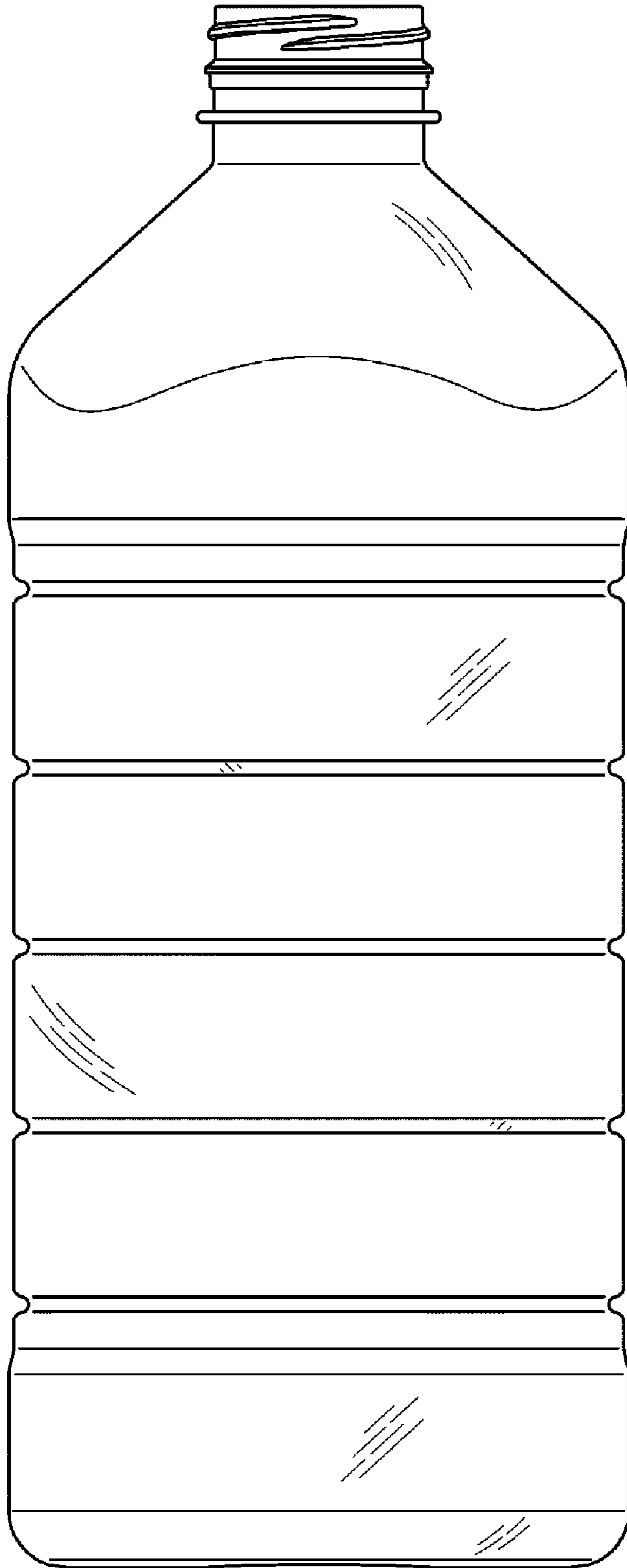


FIG. 3

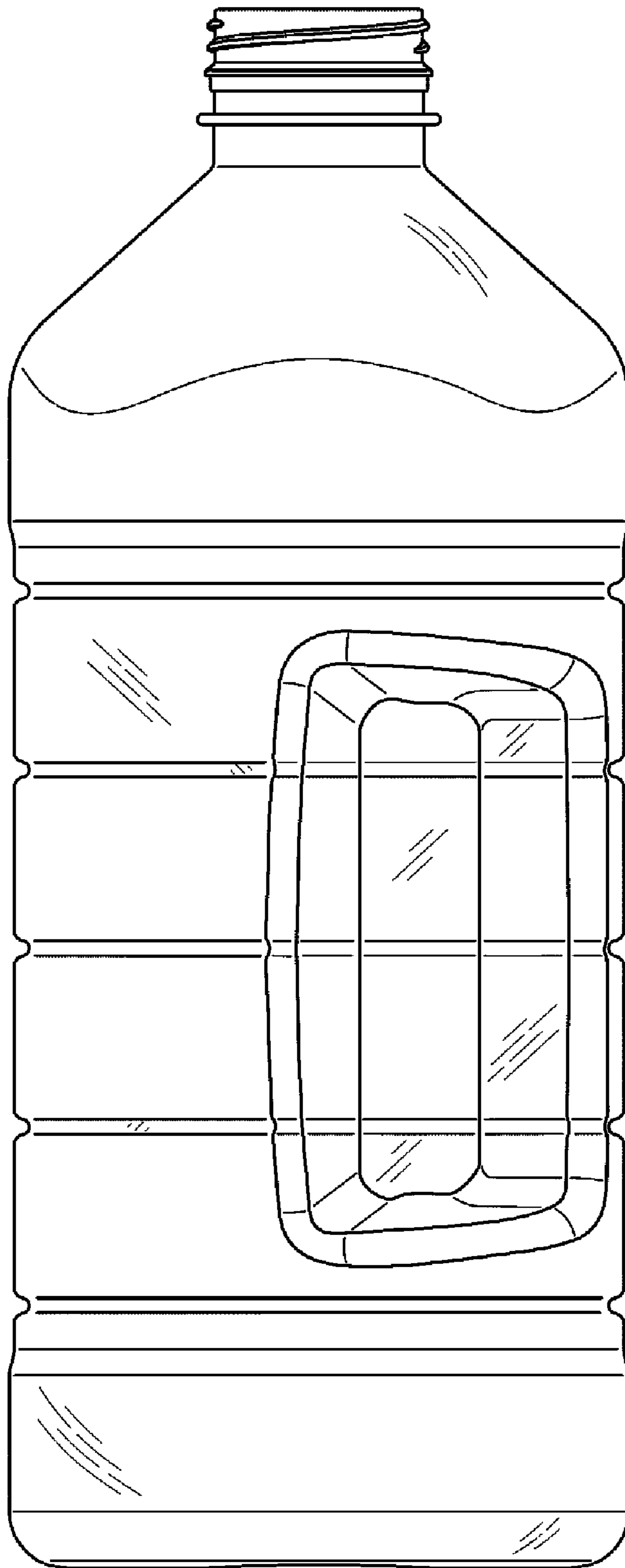


FIG. 4

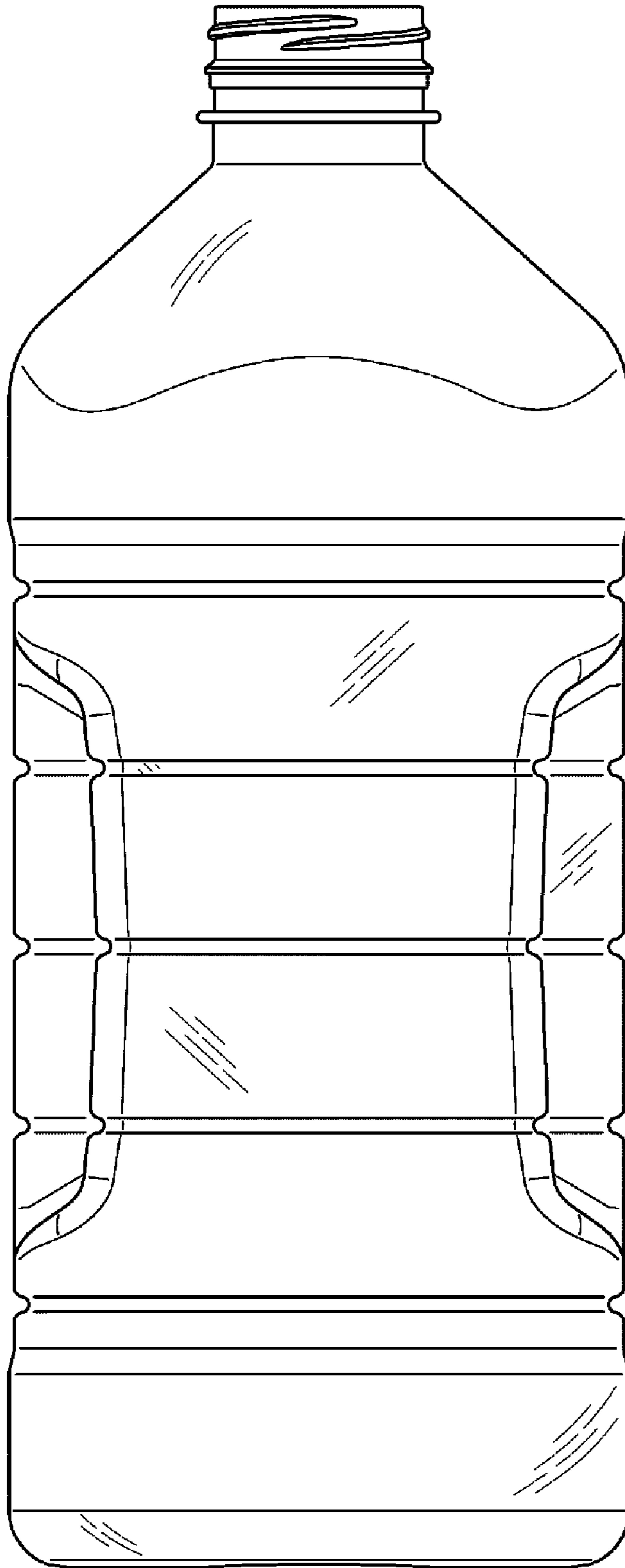


FIG. 5

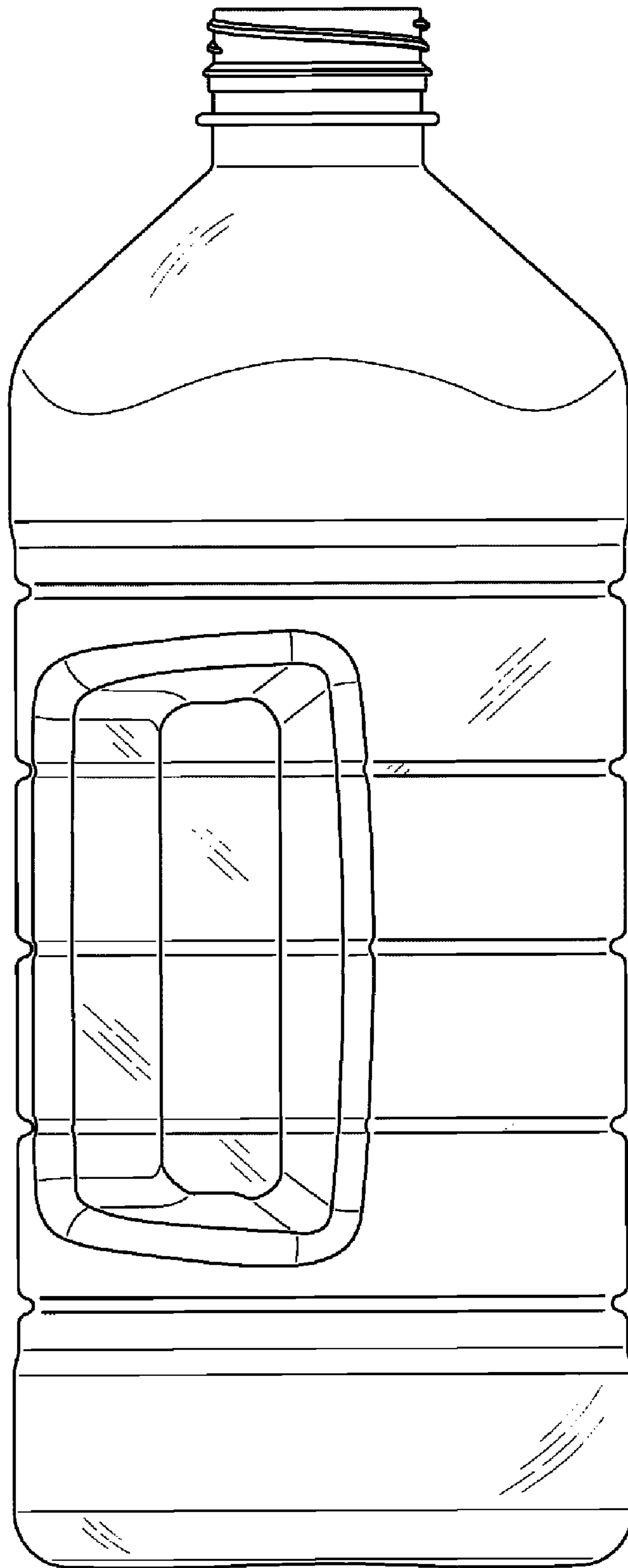


FIG. 6

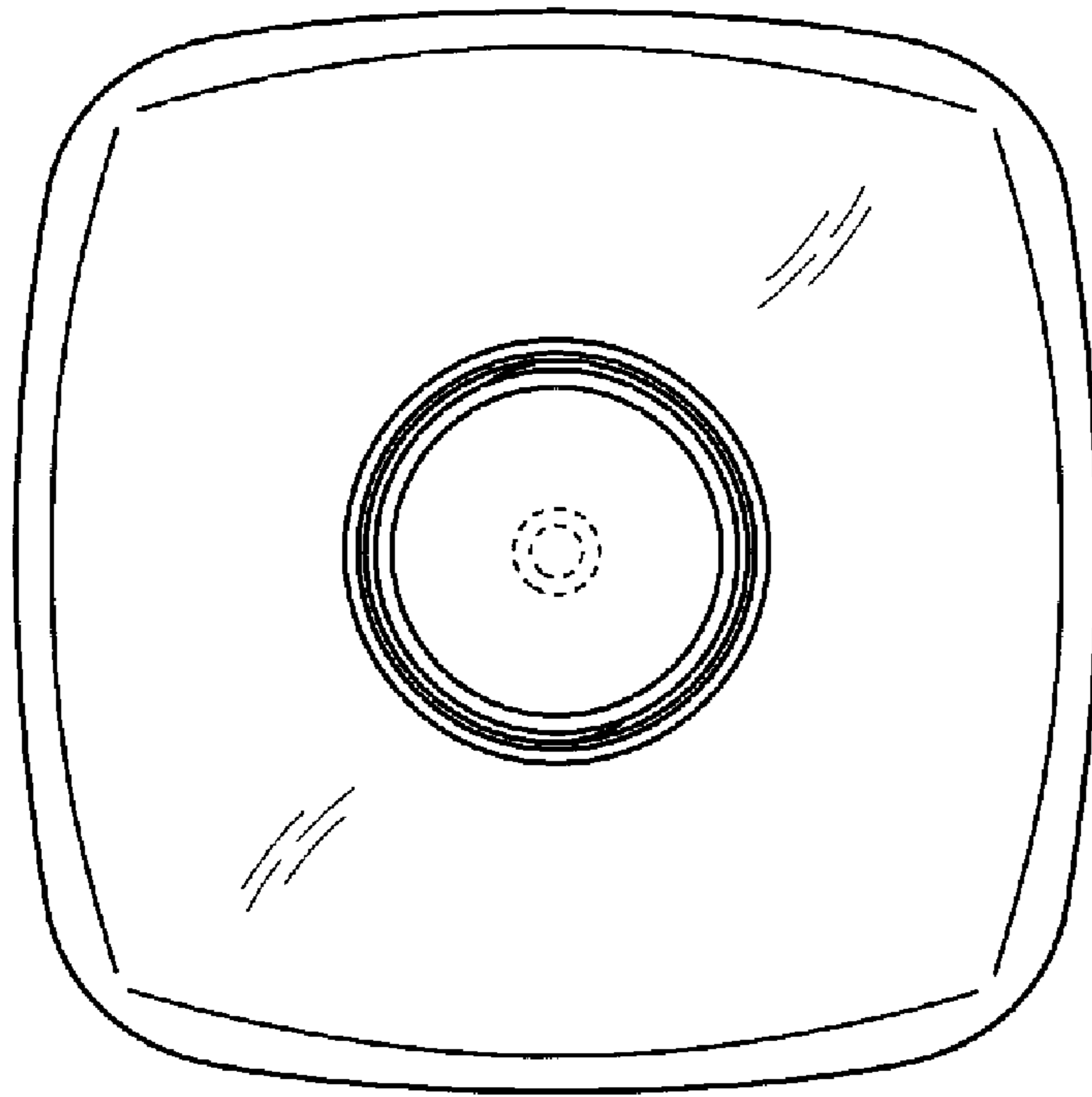


FIG. 7

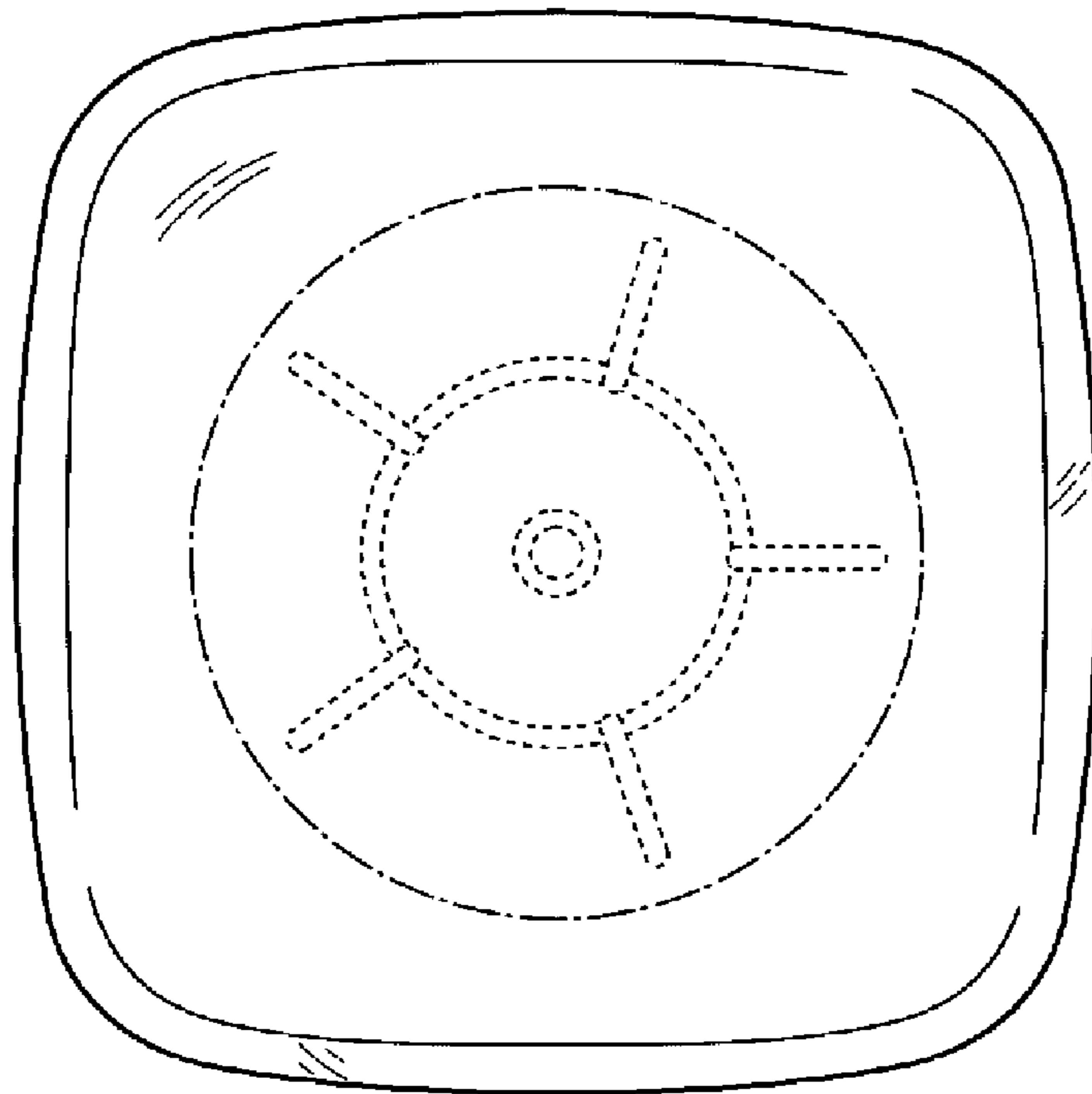


FIG. 8

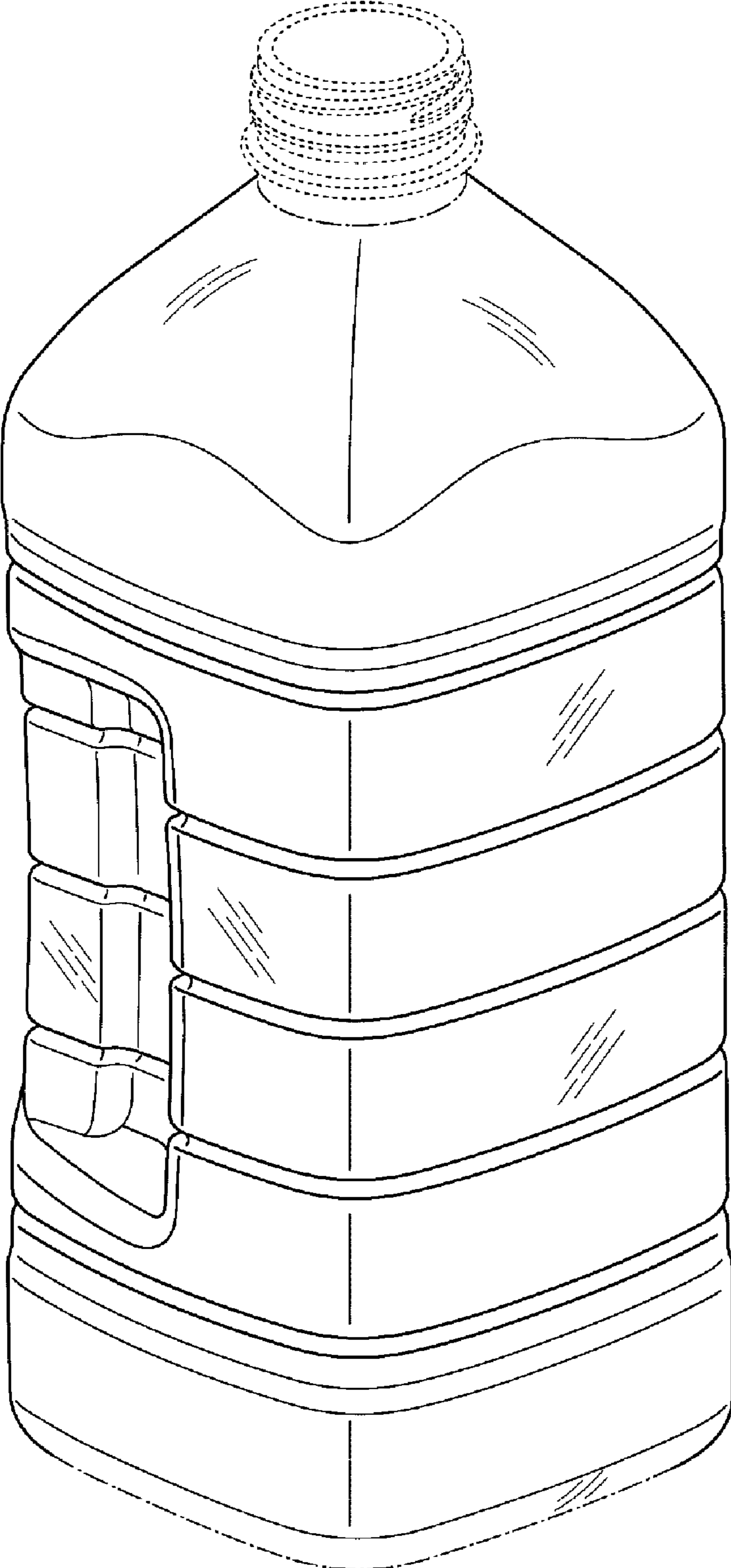


FIG. 9

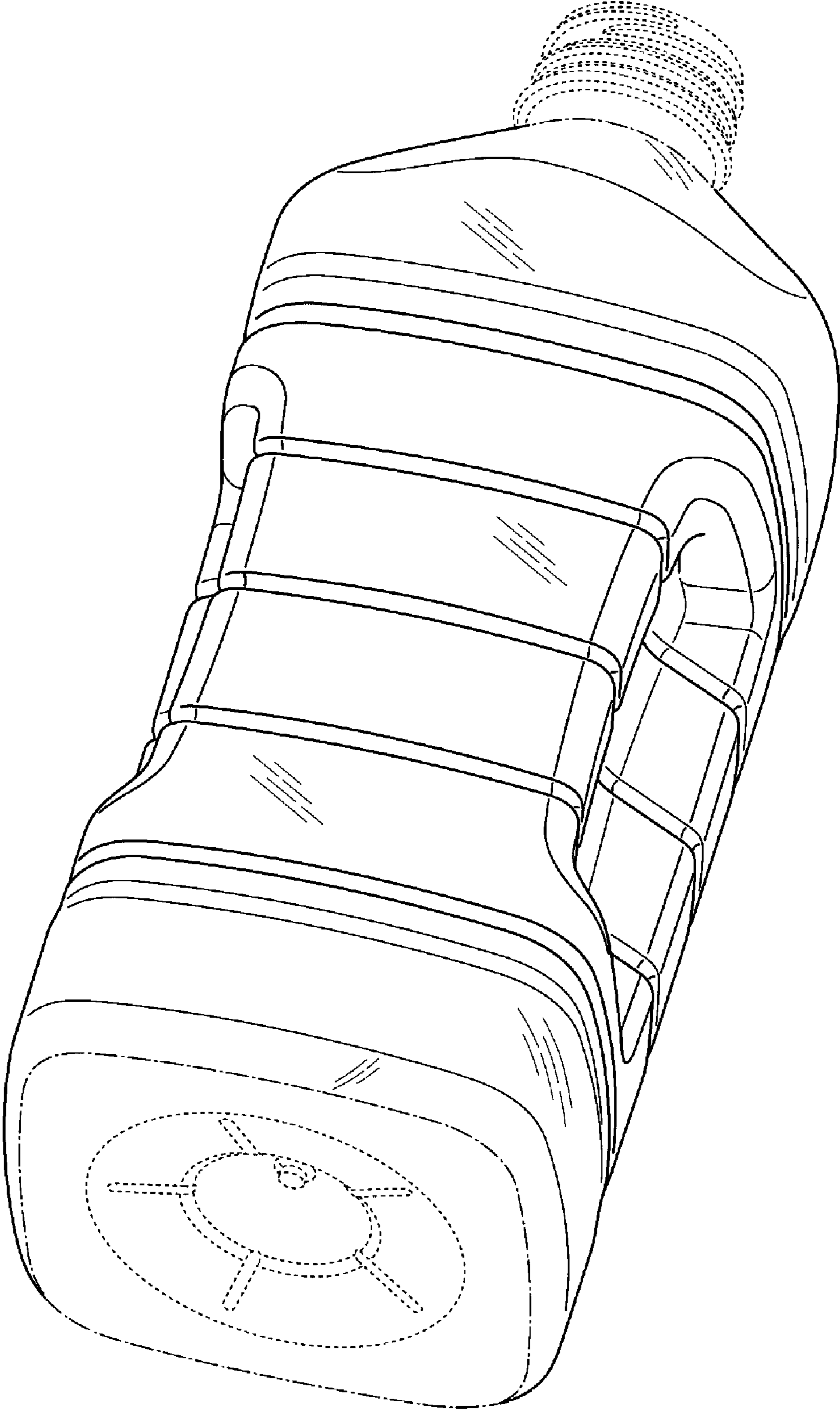


FIG. 10

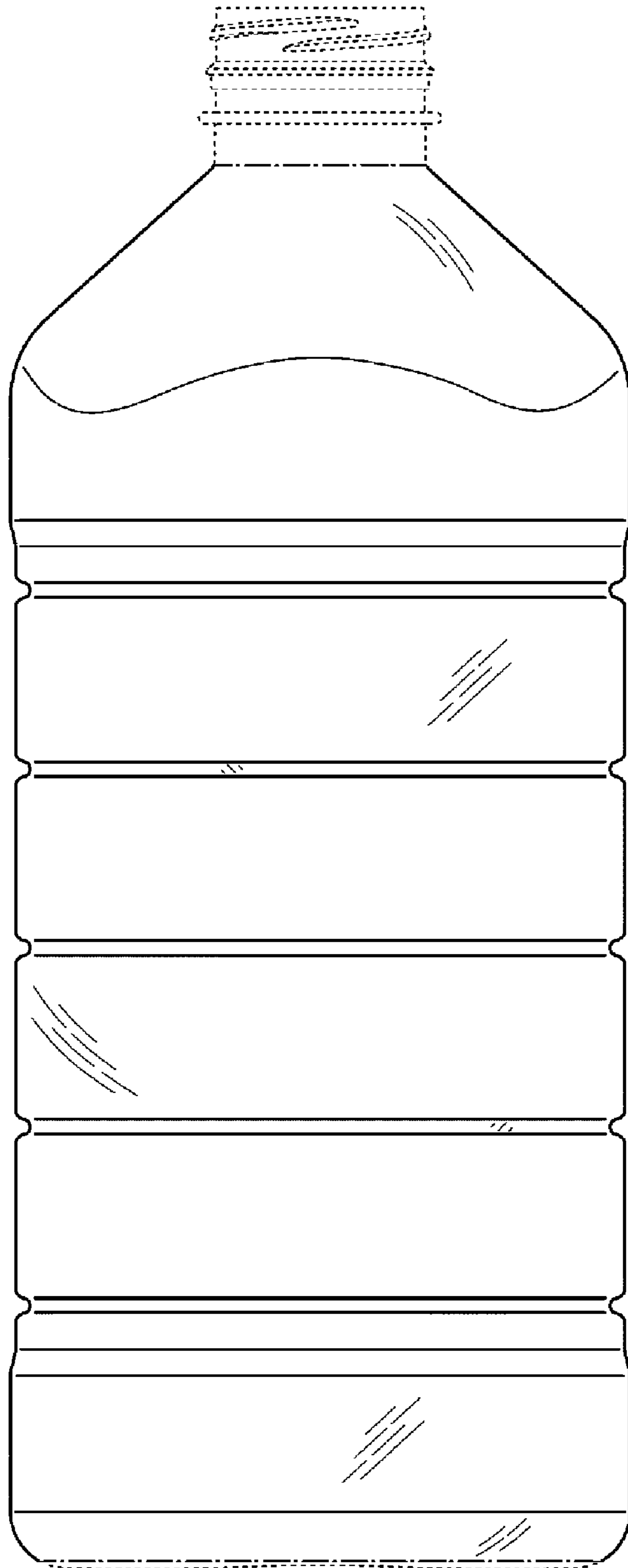


FIG. 11

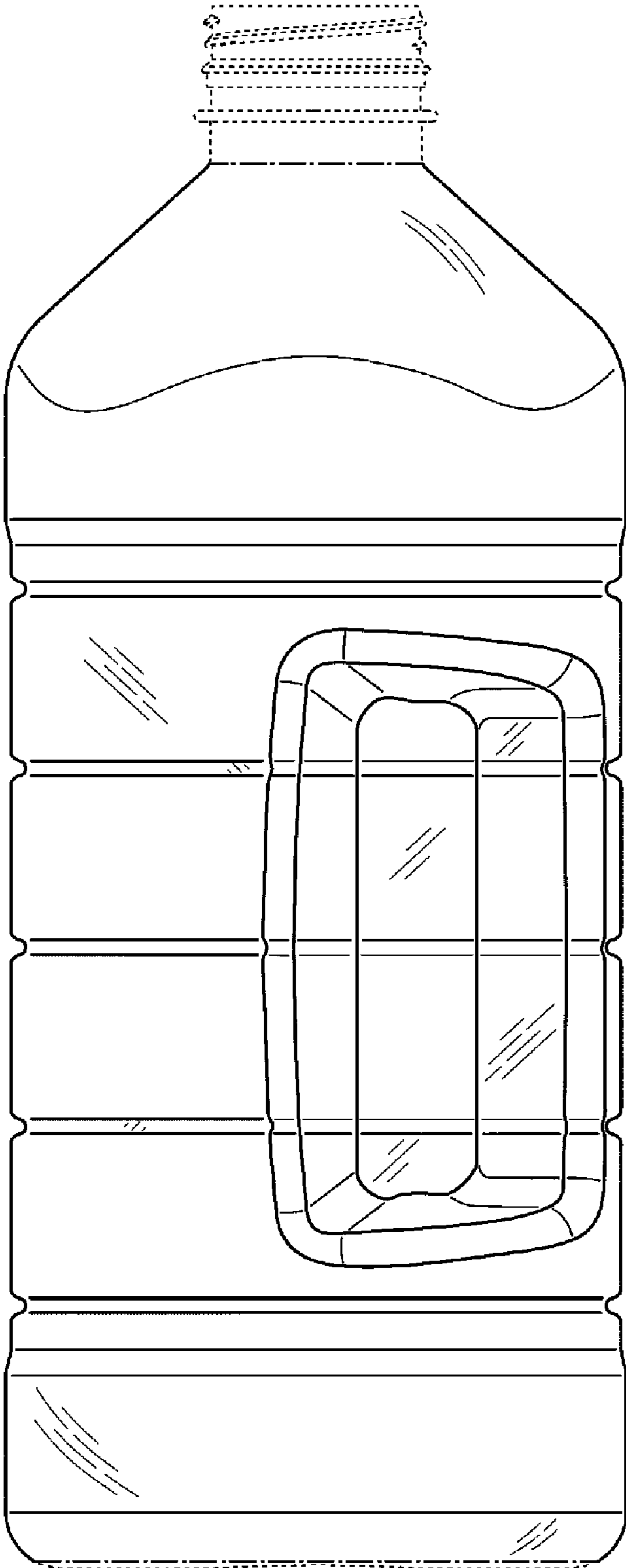


FIG. 12

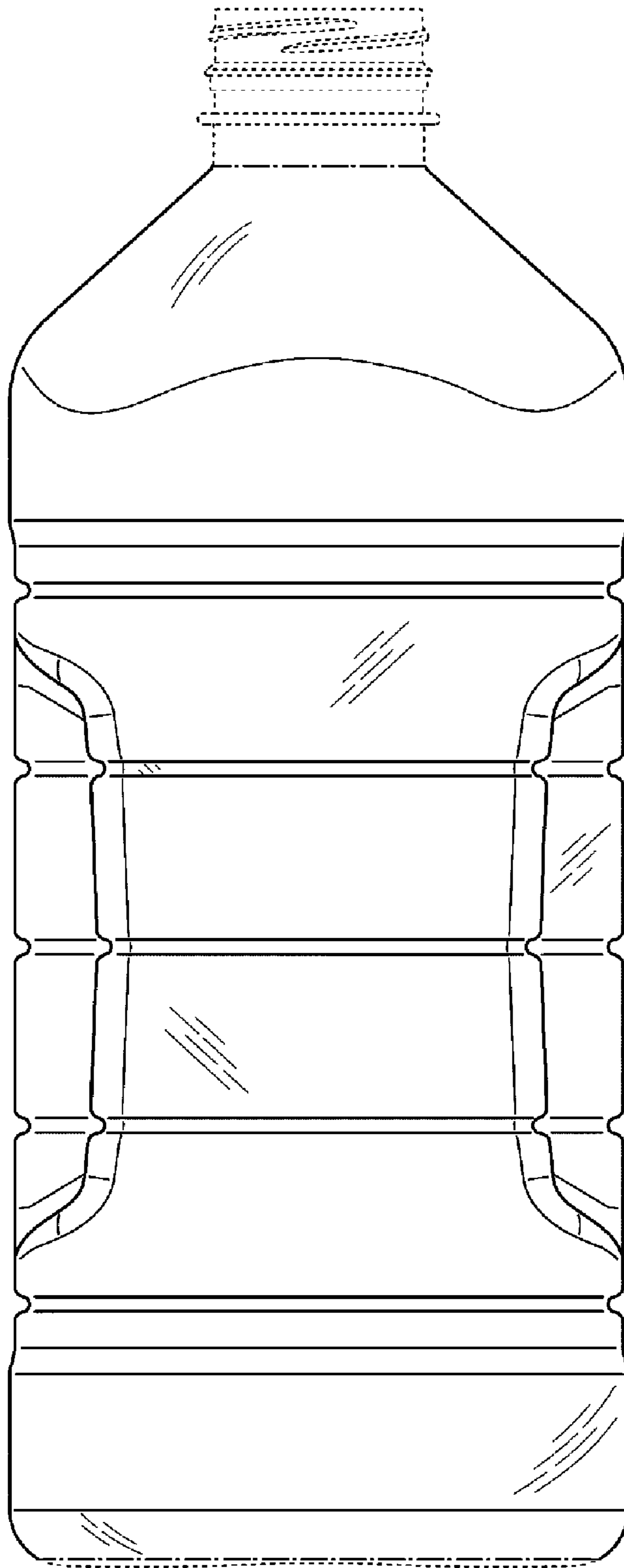


FIG. 13

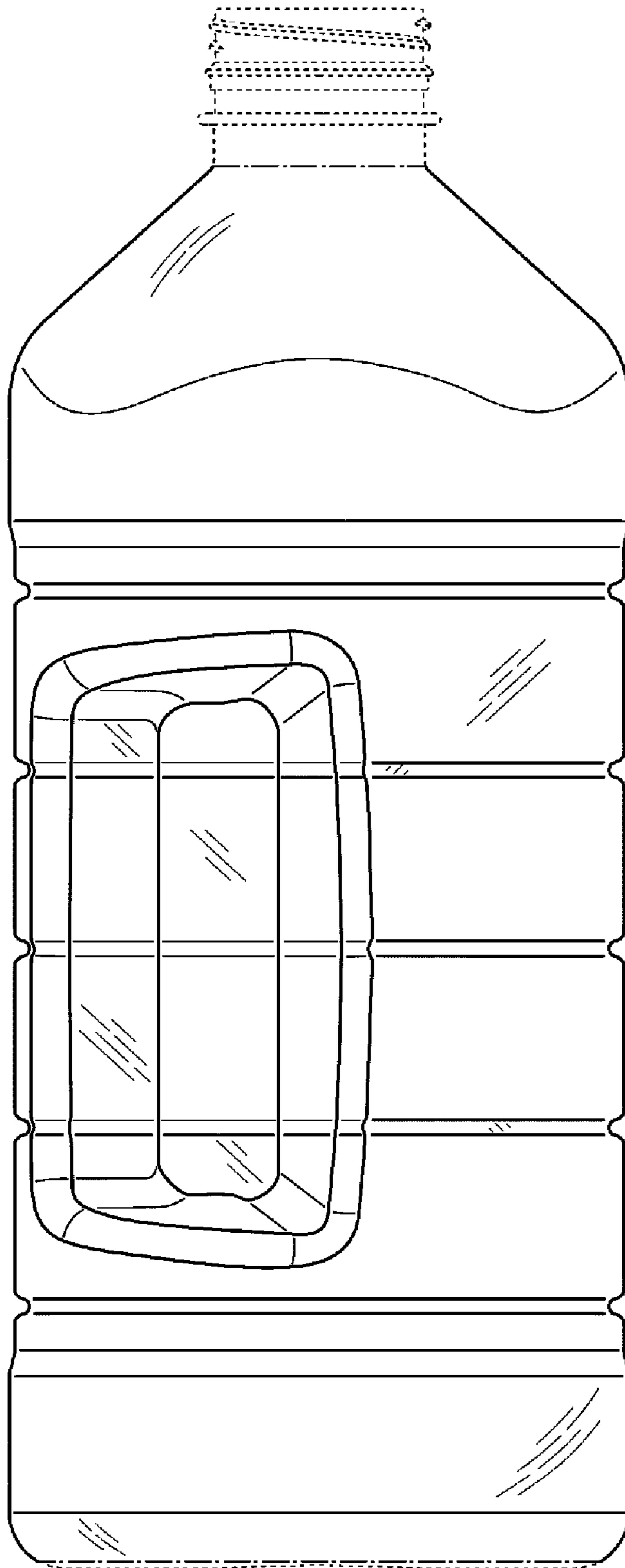


FIG. 14

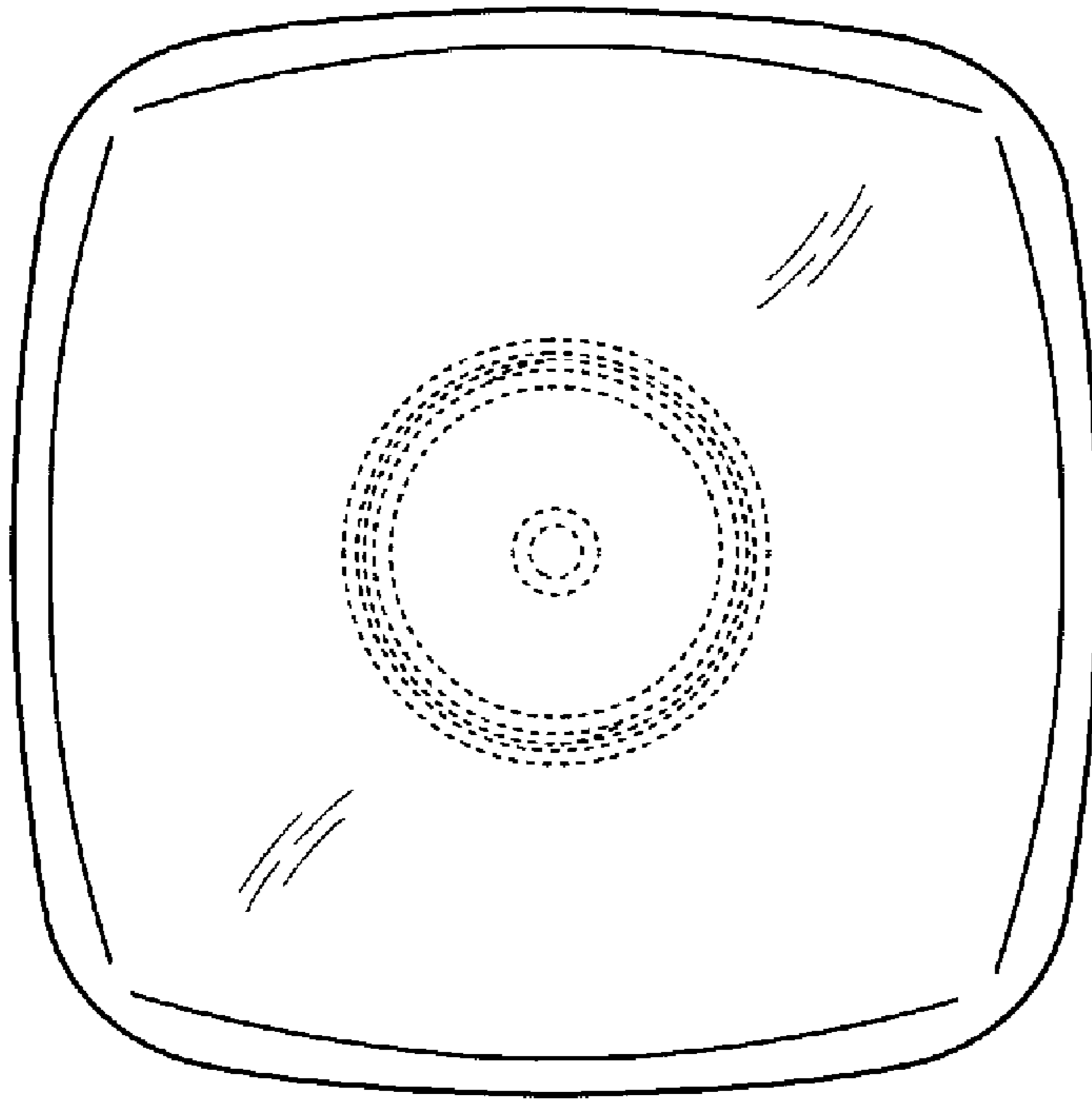


FIG. 15

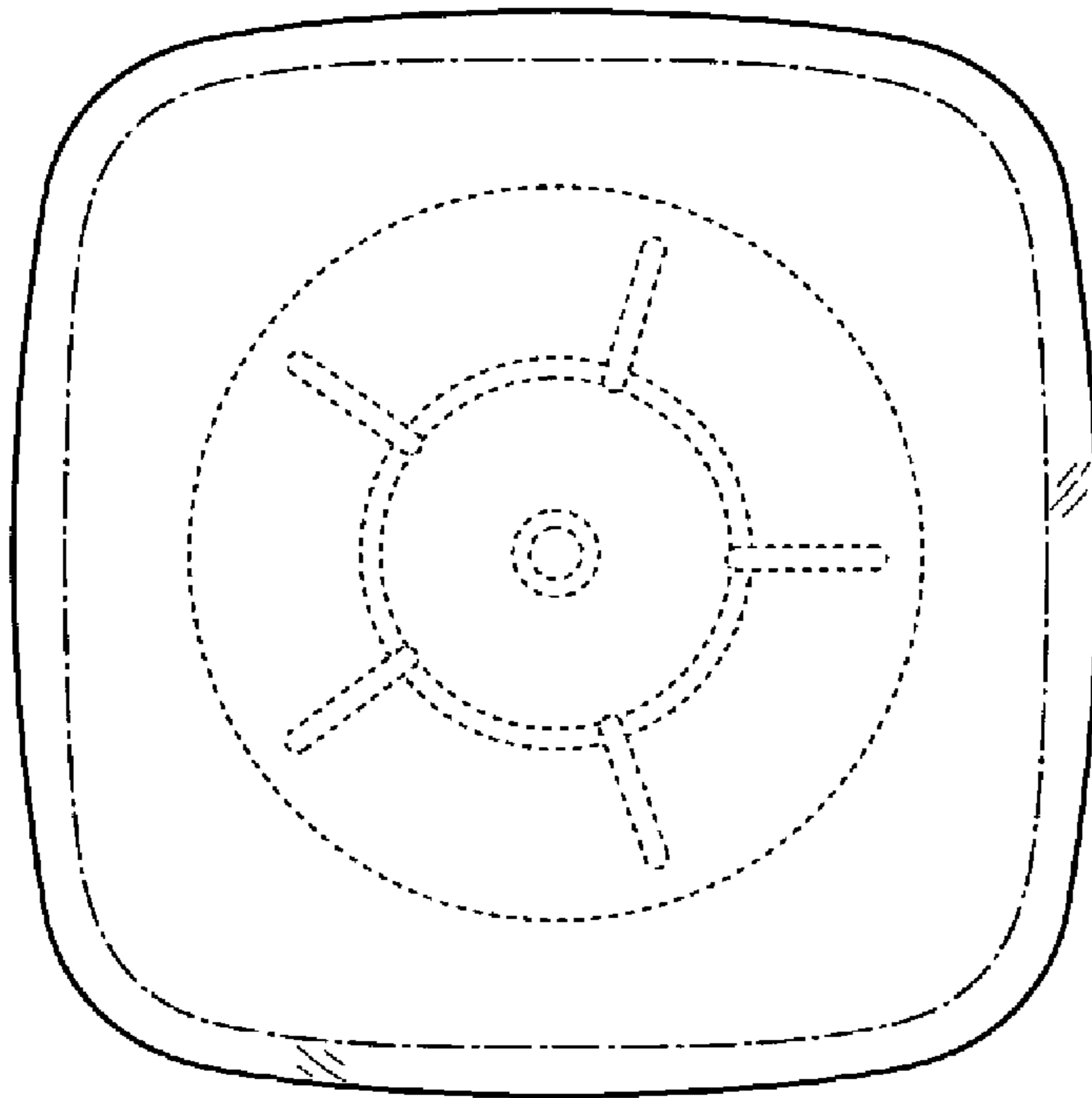


FIG. 16