



US00D655175S

(12) **United States Design Patent**
Young et al.

(10) **Patent No.:** **US D655,175 S**
(45) **Date of Patent:** **** Mar. 6, 2012**

(54) **CONTAINER BODY PORTION**

(75) Inventors: **William C. Young**, Ypsilanti, MI (US);
Richard A. Lovelace, Jr., Munroe Falls,
OH (US); **James J. Miller**, Barberton,
OH (US); **Richard C. Darr**, Medina,
OH (US)

(73) Assignee: **Plastipak Packaging, Inc.**, Plymouth,
MI (US)

(**) Term: **14 Years**

(21) Appl. No.: **29/406,737**

(22) Filed: **Nov. 18, 2011**

Related U.S. Application Data

(62) Division of application No. 29/388,412, filed on Mar.
29, 2011, now Pat. No. Des. 652,729.

(51) **LOC (9) Cl.** **09-01**

(52) **U.S. Cl.** **D9/531; D9/543; D9/516**

(58) **Field of Classification Search** D9/516,
D9/530, 531, 541, 543, 559, 560, 564, 565,
D9/569, 570, 575; 215/381-385; 220/660,
220/662, 669

See application file for complete search history.

(56) **References Cited**

U.S. PATENT DOCUMENTS

D190,834 S *	7/1961	Rudy	D9/531
D213,821 S *	4/1969	Platte	D9/531
D229,670 S *	12/1973	Platte	D9/531
D238,654 S *	2/1976	Platte	D9/520

D332,747 S *	1/1993	Darr et al.	D9/520
D392,188 S *	3/1998	Darr et al.	D9/520
5,833,115 A *	11/1998	Eiten	220/669
6,926,163 B2 *	8/2005	Darr et al.	215/396
D509,744 S *	9/2005	Bowen et al.	D9/528
D511,462 S *	11/2005	Haley et al.	D9/531
D512,320 S *	12/2005	Haley et al.	D9/531
D515,932 S *	2/2006	Sinclair et al.	D9/527
D523,755 S *	6/2006	Considine et al.	D9/560
D528,008 S *	9/2006	Lovelace et al.	D9/560
D538,667 S *	3/2007	Hague et al.	D9/528
D604,623 S *	11/2009	Baker, III	D9/531
D612,734 S *	3/2010	Sarsfield-Thomas et al.	D9/516
2005/0082251 A1 *	4/2005	Darr et al.	215/396

* cited by examiner

Primary Examiner — Stella Reid

Assistant Examiner — Keli L Hill

(74) *Attorney, Agent, or Firm* — Mario A. Tabone

(57) **CLAIM**

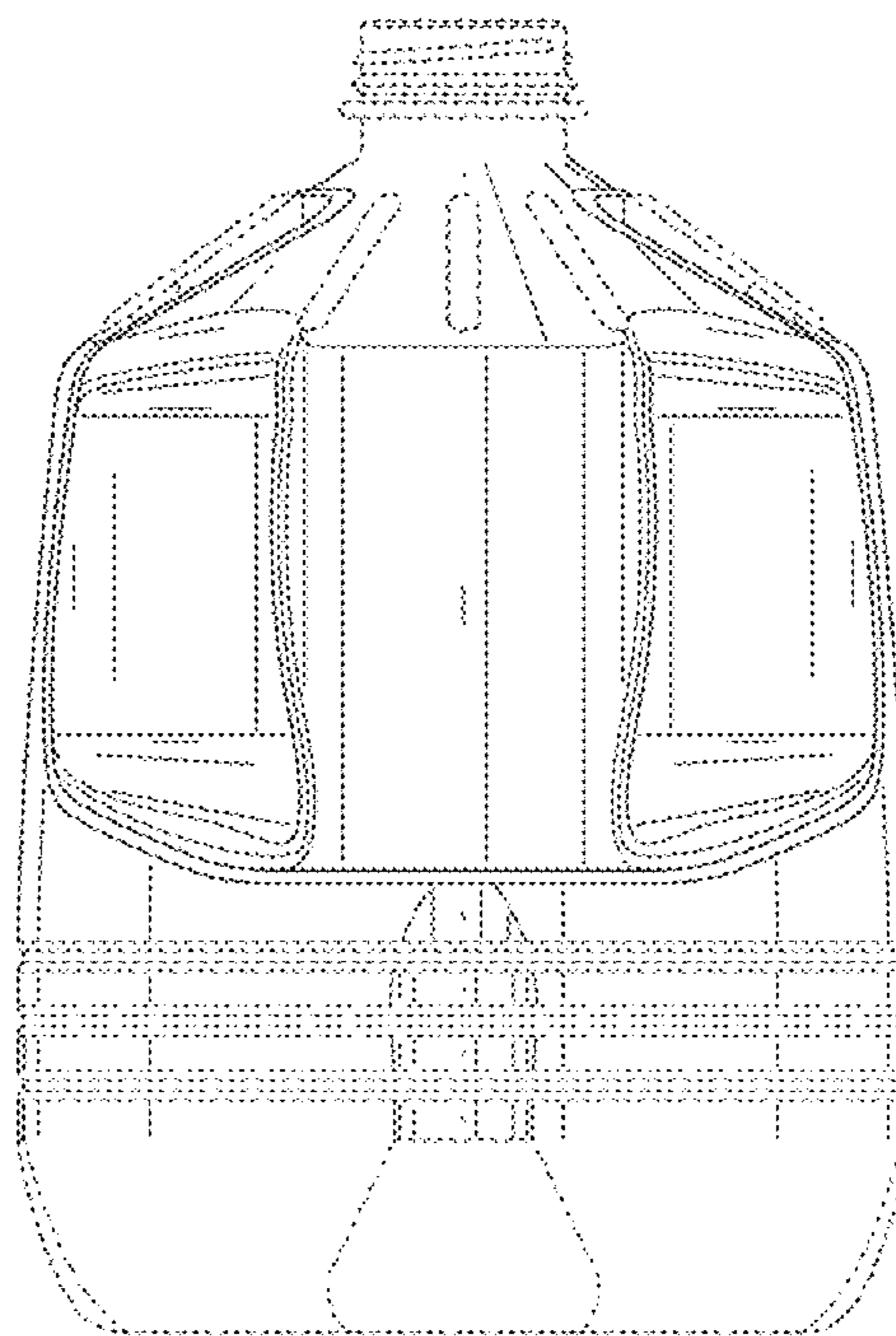
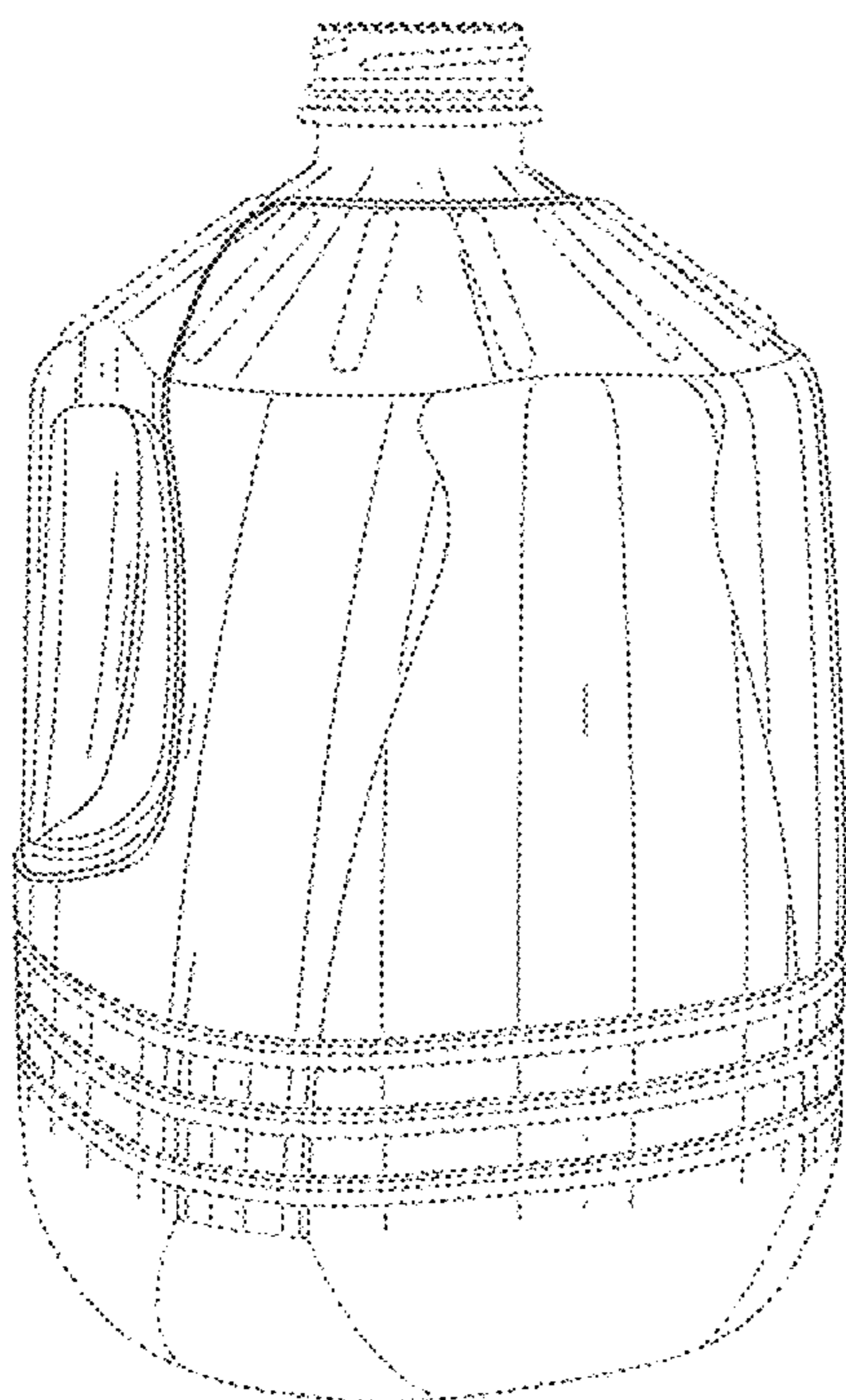
The ornamental design for a container body portion, as shown
and described.

DESCRIPTION

FIG. 1 is a top-front-right perspective view of our new design;
FIG. 2 is a front side elevational view thereof;
FIG. 3 is a rear side elevational view thereof;
FIG. 4 is a right elevational view thereof;
FIG. 5 is a left elevational view thereof;
FIG. 6 is a top plan view thereof; and,
FIG. 7 is a bottom plan view thereof.

The broken lines shown in the drawing views are for environ-
mental purposes only and form no part of the claimed design.

1 Claim, 7 Drawing Sheets



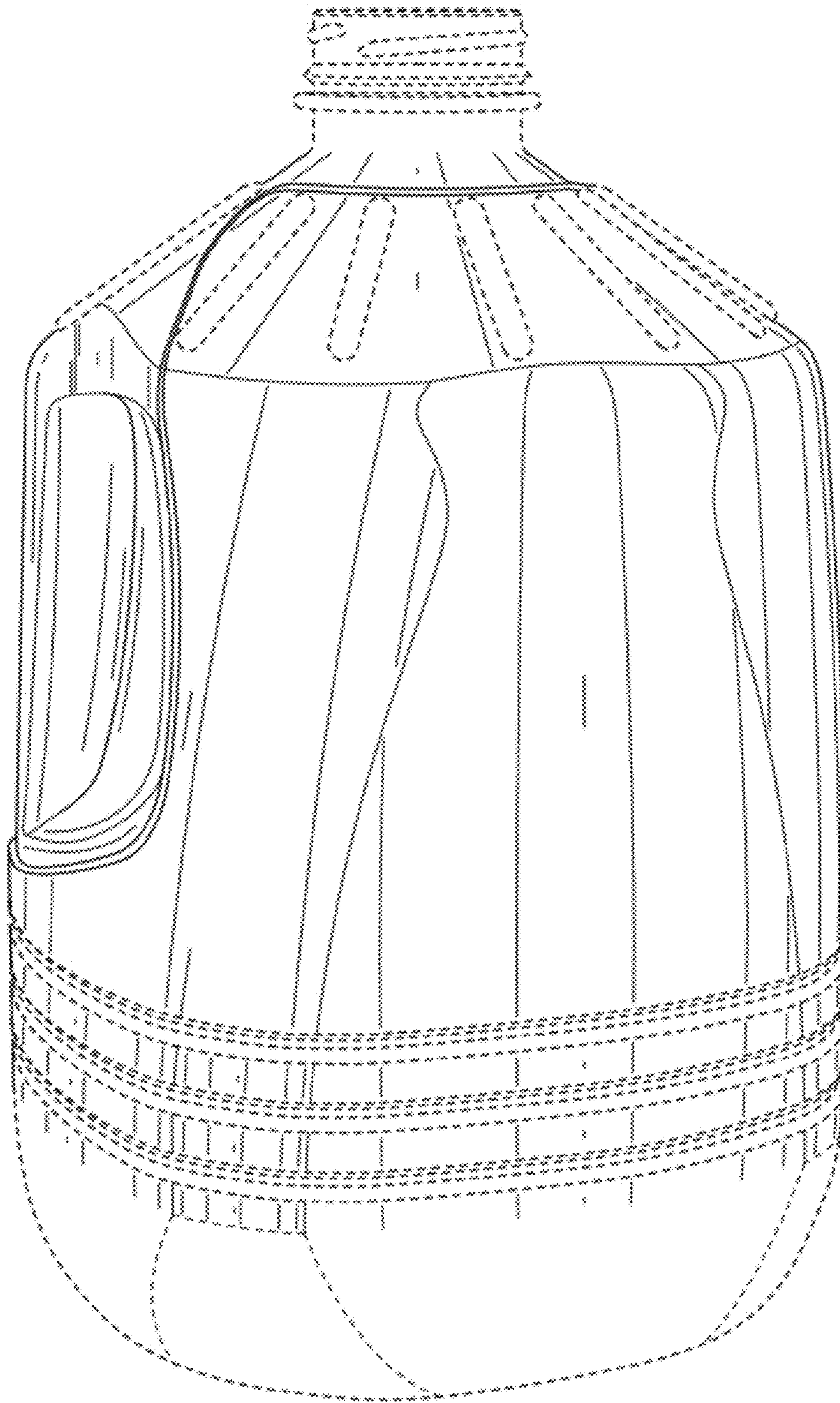


FIG. 1

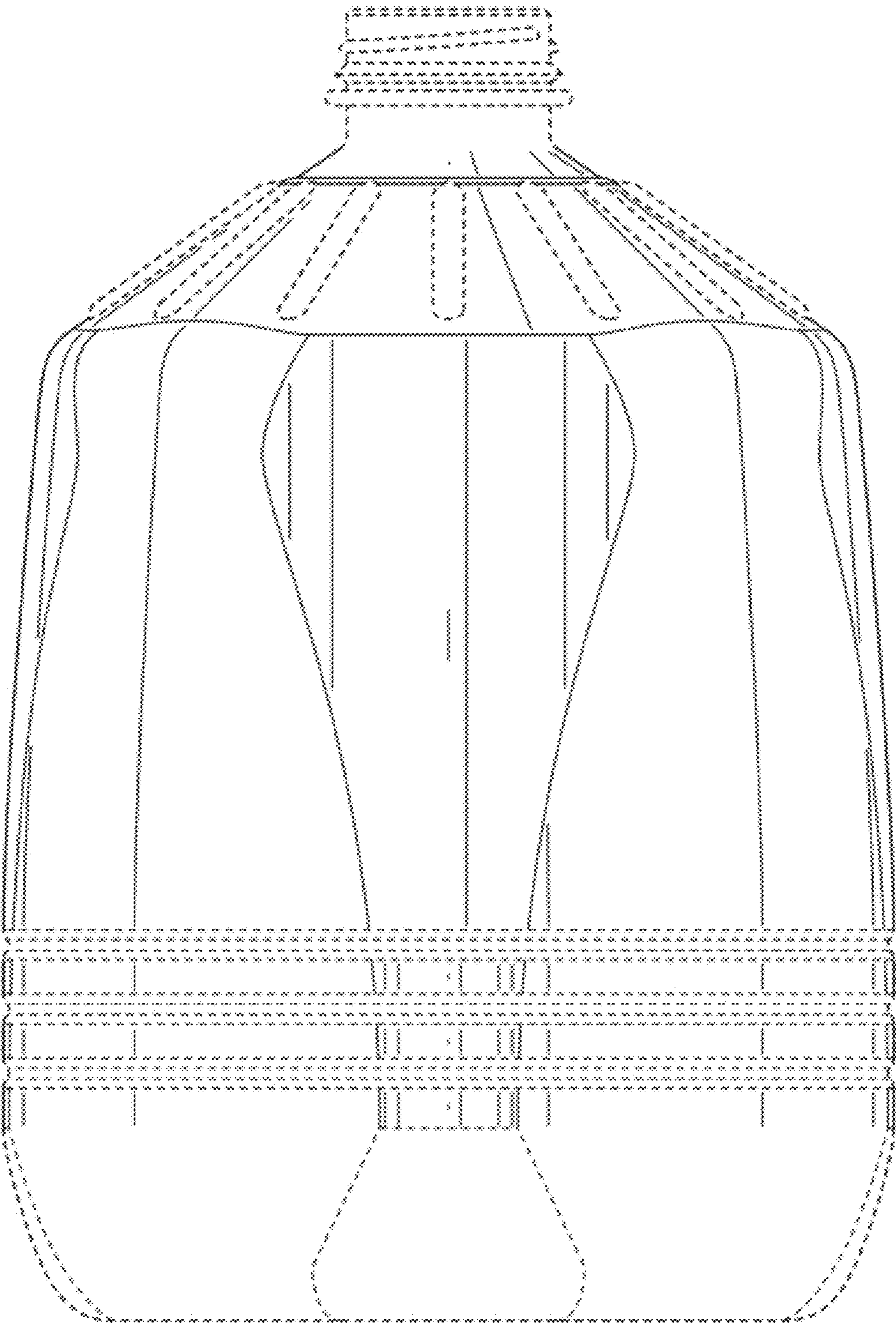


FIG. 2

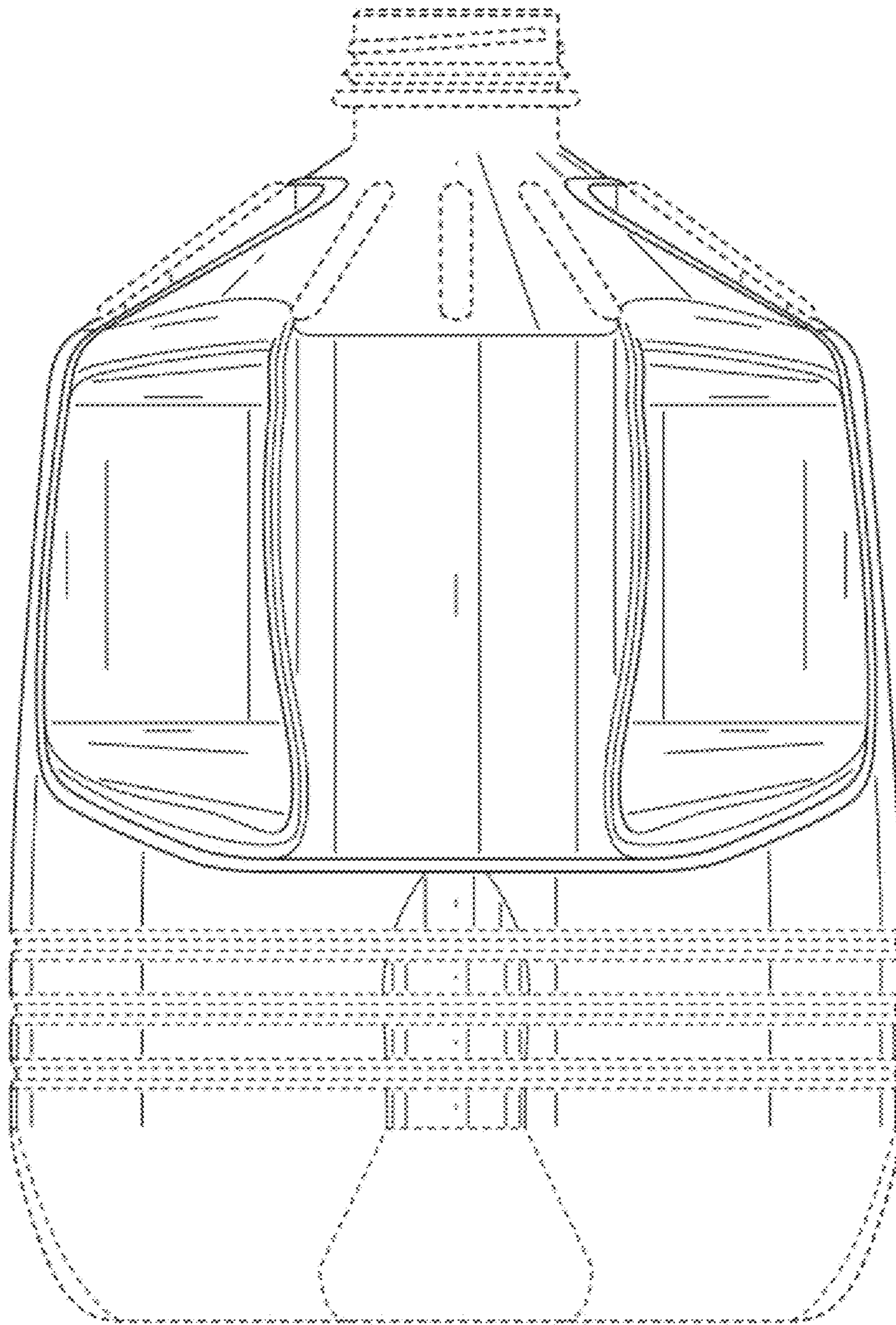


FIG. 3

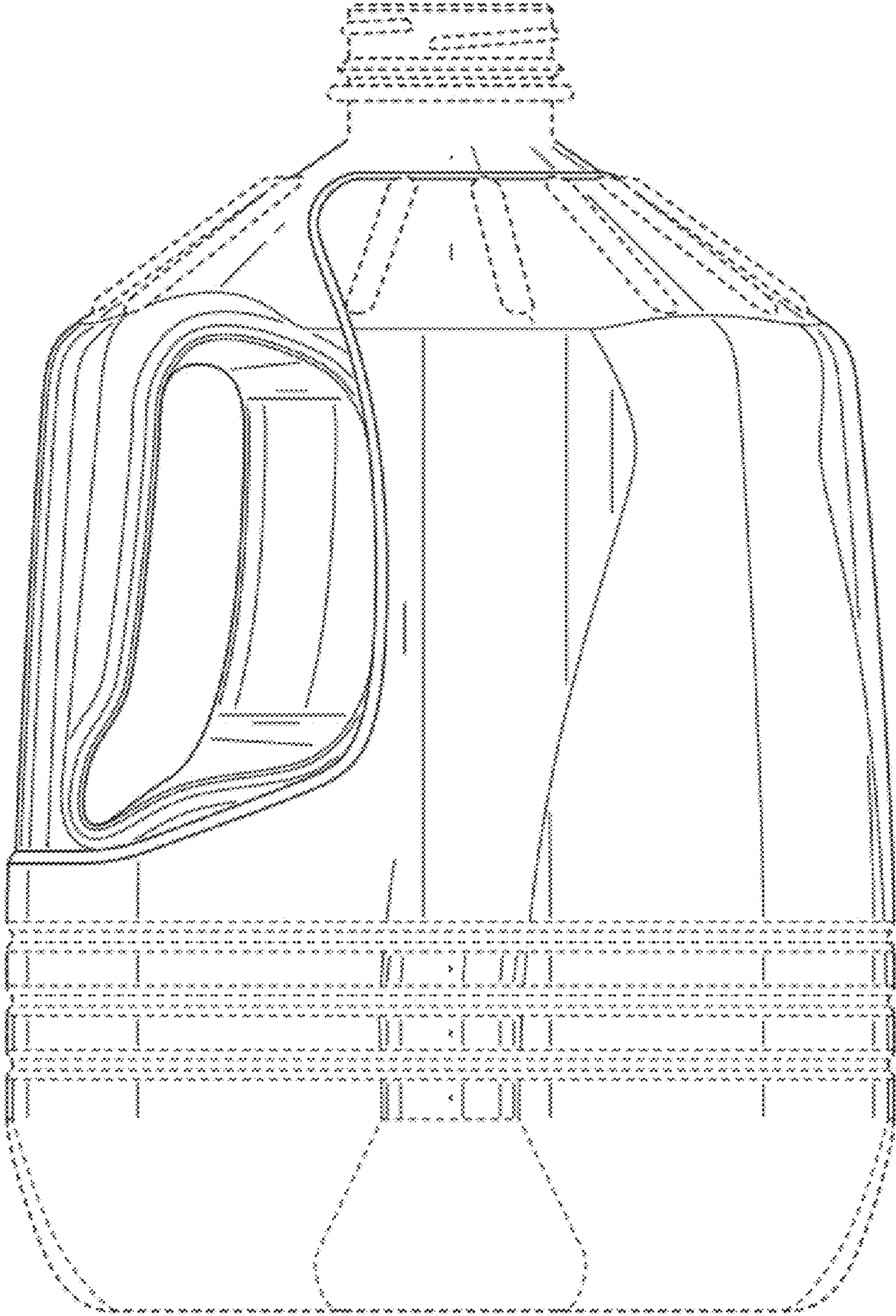


FIG. 4

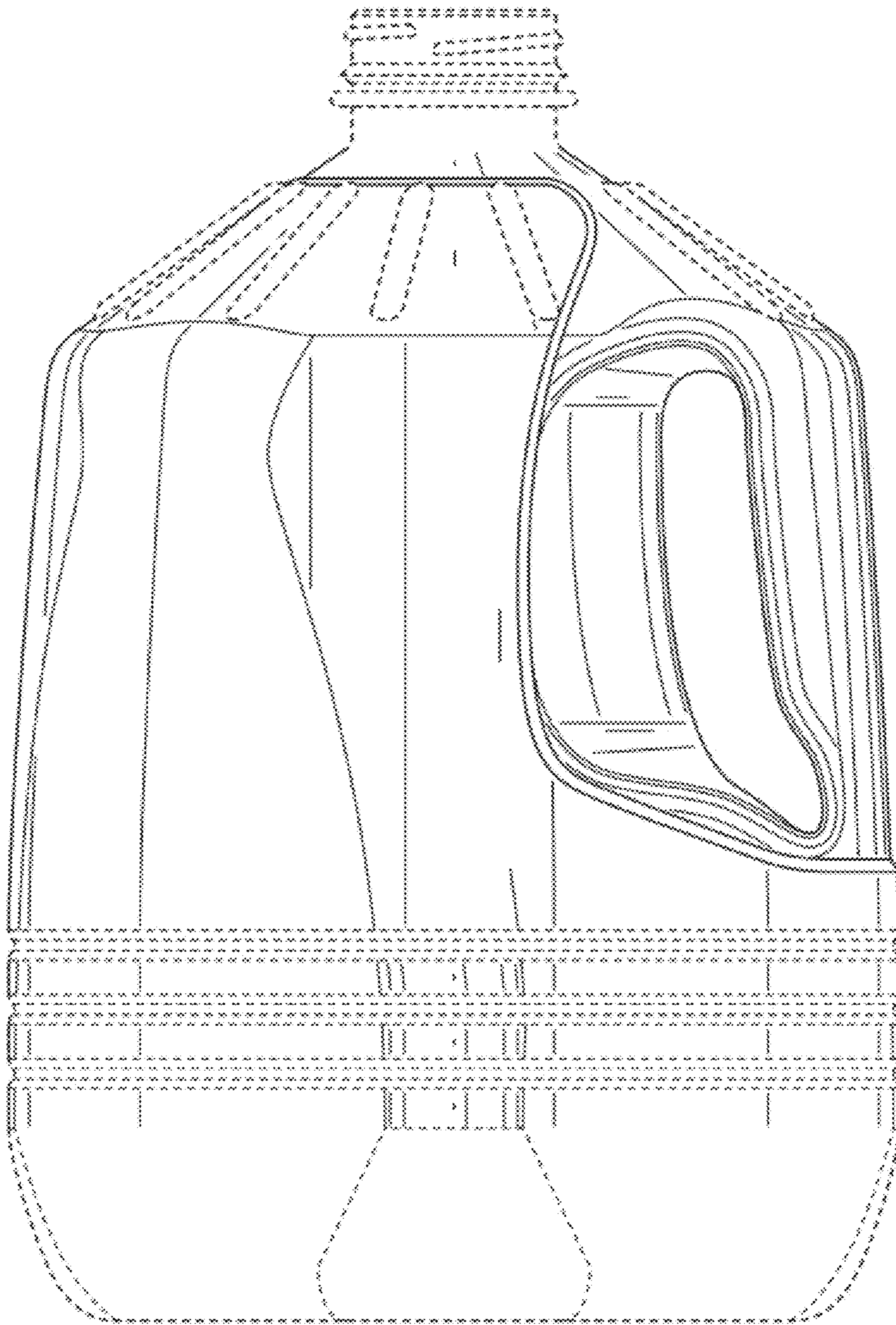


FIG. 5

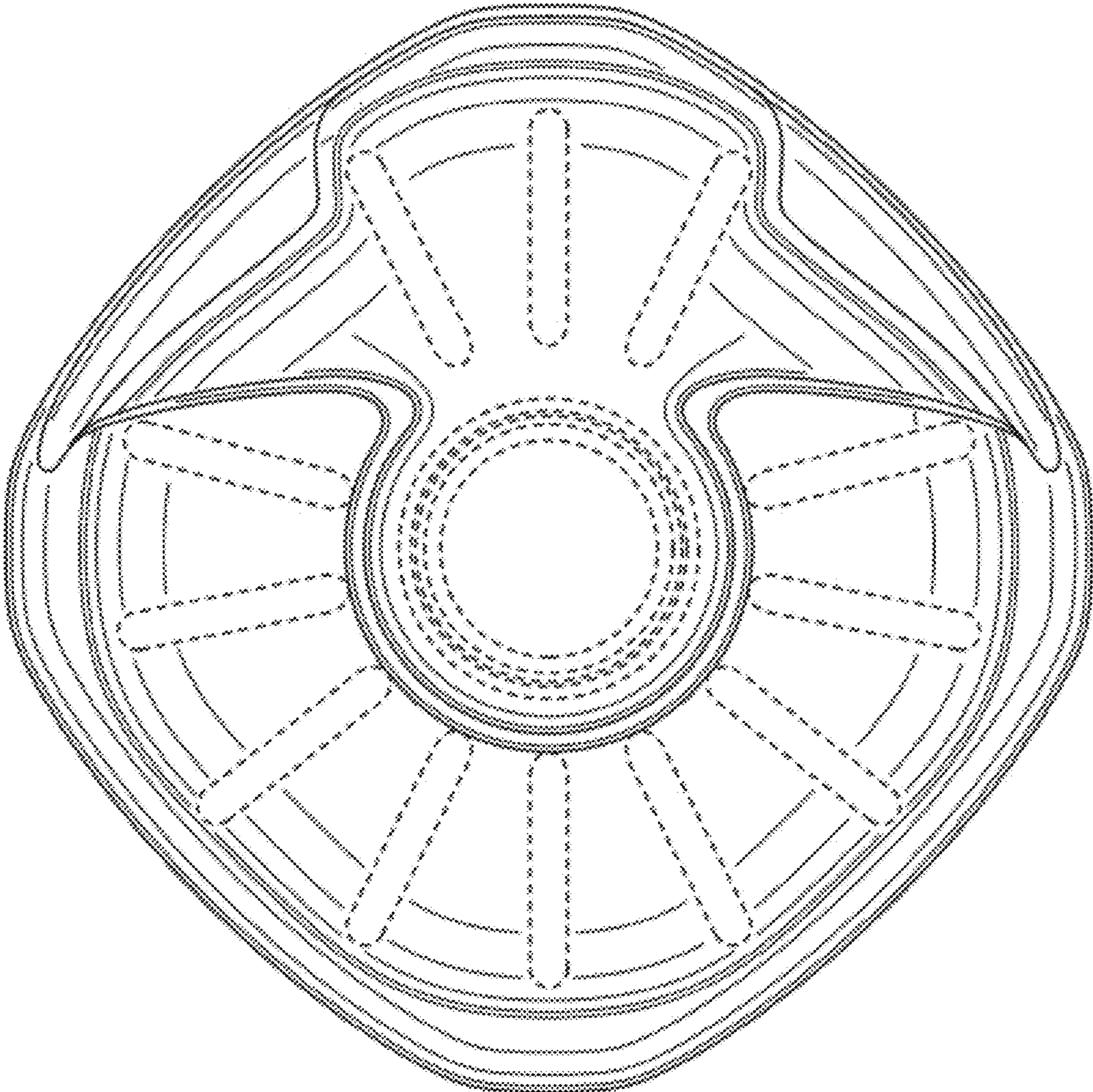


FIG. 6

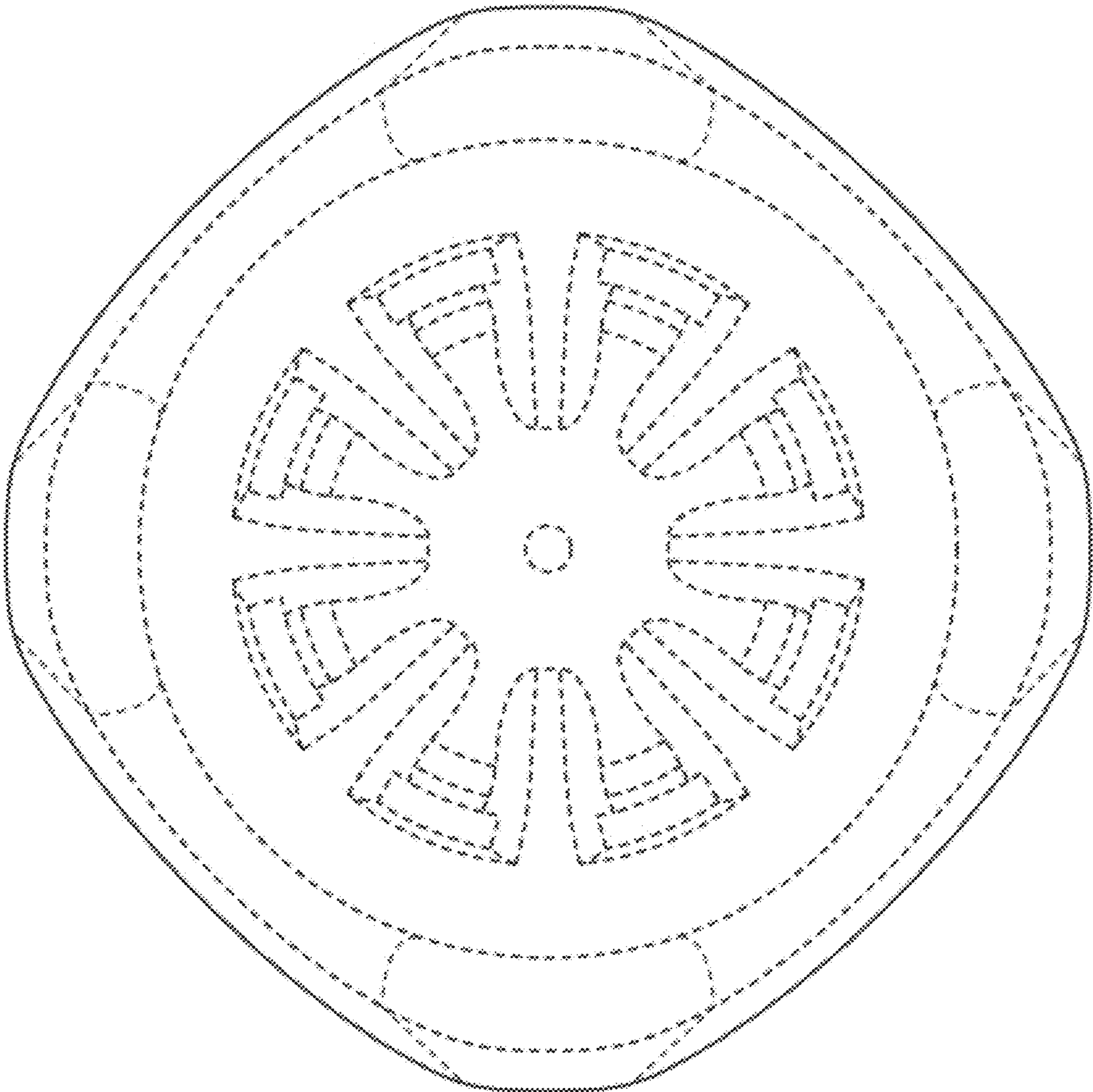


FIG. 7