



US00D655171S

(12) **United States Design Patent**
Bohache et al.

(10) **Patent No.:** **US D655,171 S**
(45) **Date of Patent:** **** Mar. 6, 2012**

(54) **PACKAGING CONTAINER HAVING SURFACE ORNAMENTATION**

(75) Inventors: **Joseph Bohache**, Milford, OH (US);
Andrea Subler, West Chester, OH (US);
Aaron Burghard, Cincinnati, OH (US)

(73) Assignee: **The Procter & Gamble Company**,
Cincinnati, OH (US)

(**) Term: **14 Years**

(21) Appl. No.: **29/366,439**

(22) Filed: **Jul. 26, 2010**

Related U.S. Application Data

(63) Continuation of application No. 29/354,438, filed on
Jan. 25, 2010.

(51) **LOC (9) Cl.** **09-01**

(52) **U.S. Cl.** **D9/516**

(58) **Field of Classification Search** D20/11,
D20/19, 22-23, 27, 40; D9/550, 554, 563,
D9/567, 571, 414-516; 40/299.01, 306,
40/310-311; 283/56, 81; 229/100, 103.2,
229/103.3, 116.1, 87.18, 89, 406

See application file for complete search history.

(56) **References Cited**

U.S. PATENT DOCUMENTS

D110,869 S * 8/1938 Kovacs D9/432
(Continued)

FOREIGN PATENT DOCUMENTS

WO DM/074011 * 7/2010
(Continued)

Primary Examiner — Ian Simmons

Assistant Examiner — Dana L Sipos

(74) *Attorney, Agent, or Firm* — Amanda T. Barry; John M.
Howell; Kelly L. McDow

(57) **CLAIM**

The ornamental design for a packaging container having surface ornamentation, as shown and described.

DESCRIPTION

FIG. 1 is a perspective view of a packaging container having surface ornamentation embodying our new design;

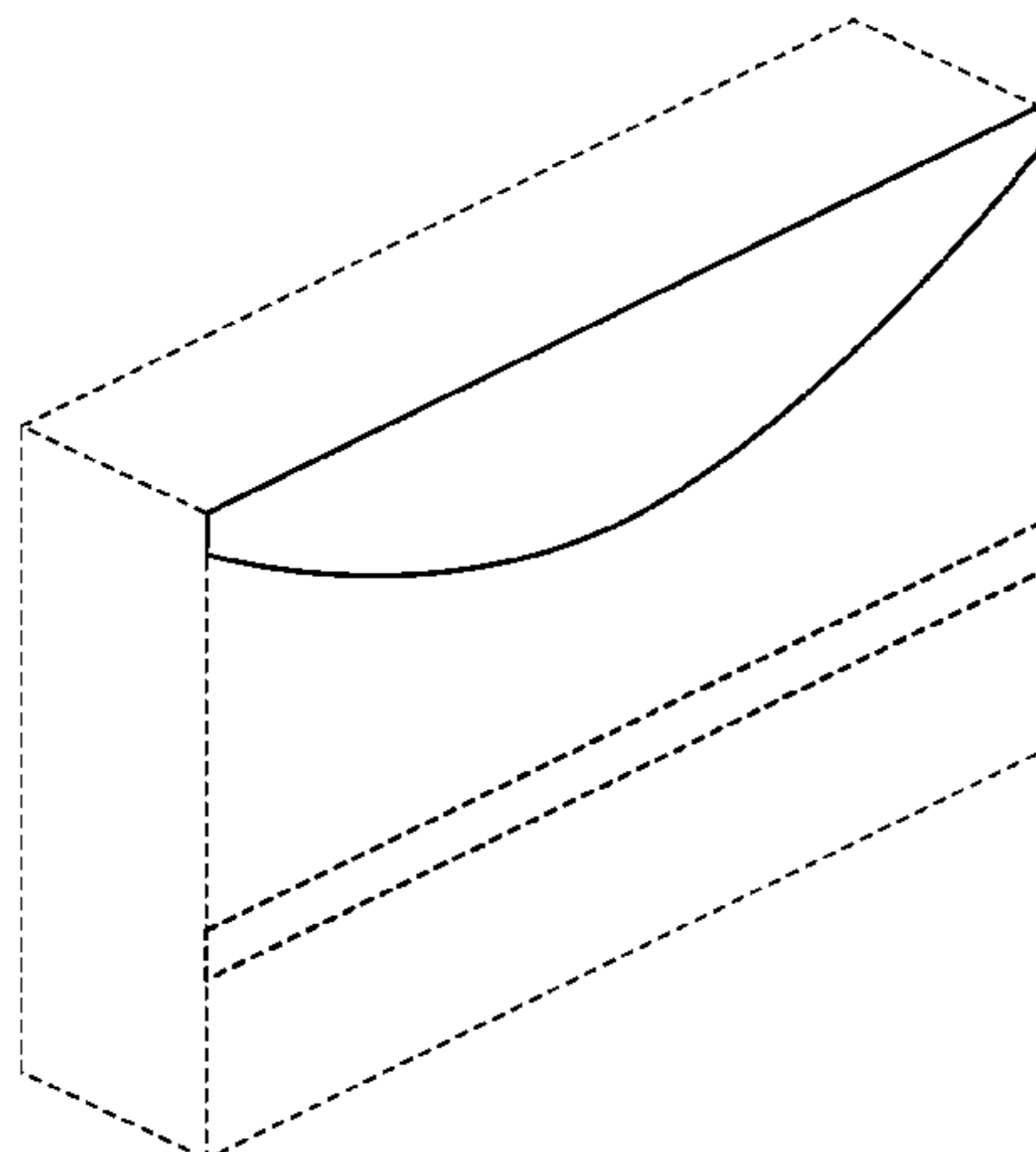
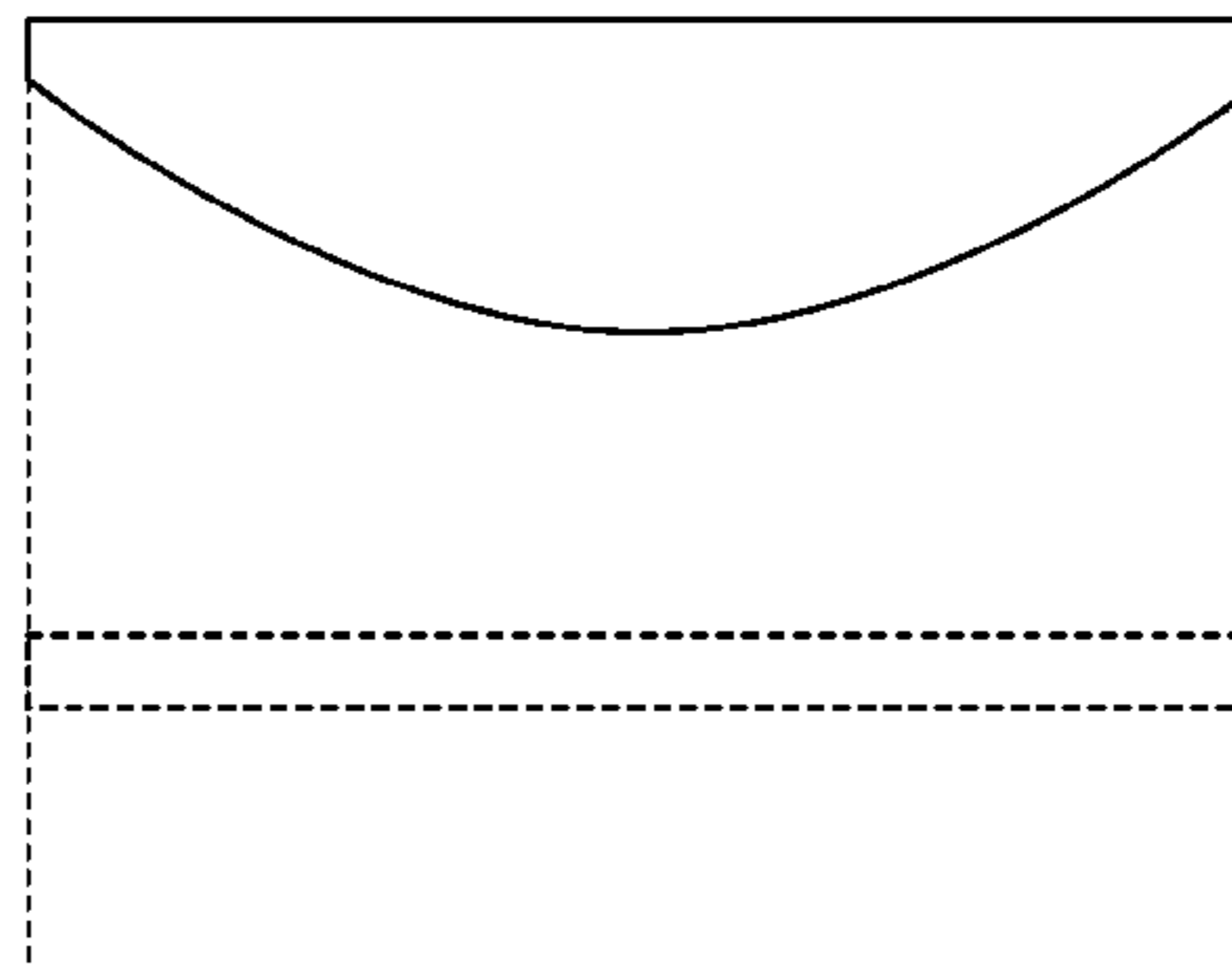


FIG. 2 is a front view thereof;
FIG. 3 is a rear view thereof;
FIG. 4 is a right side view thereof;
FIG. 5 is a left side view thereof;
FIG. 6 is a top view thereof;
FIG. 7 is a bottom view thereof;
FIG. 8 is a perspective view of a second embodiment of packaging container having surface ornamentation embodying our new design;
FIG. 9 is a front view thereof;
FIG. 10 is a rear view thereof;
FIG. 11 is a right side view thereof;
FIG. 12 is a left side view thereof;
FIG. 13 is a top view thereof;
FIG. 14 is a bottom view thereof;
FIG. 15 is a perspective view of a third embodiment of packaging container having surface ornamentation embodying our new design;
FIG. 16 is a front view thereof;
FIG. 17 is a rear view thereof;
FIG. 18 is a right side view thereof;
FIG. 19 is a left side view thereof;
FIG. 20 is a top view thereof;
FIG. 21 is a bottom view thereof;
FIG. 22 is a perspective view of a fourth embodiment of packaging container having surface ornamentation embodying our new design;
FIG. 23 is a front view thereof;
FIG. 24 is a rear view thereof;
FIG. 25 is a right side view thereof;
FIG. 26 is a left side view thereof;
FIG. 27 is a top view thereof;
FIG. 28 is a bottom view thereof;
FIG. 29 is a perspective view of a fifth embodiment of packaging container having surface ornamentation embodying our new design;
FIG. 30 is a front view thereof;
FIG. 31 is a rear view thereof;
FIG. 32 is a right side view thereof;
FIG. 33 is a left side view thereof;
FIG. 34 is a top view thereof; and,
FIG. 35 is a bottom view thereof.
Broken lines are included herein for illustrative purposes only and form no part of the claimed design.

1 Claim, 10 Drawing Sheets



US D655,171 S

Page 2

U.S. PATENT DOCUMENTS

D391,481 S * 3/1998 Oxley D9/432
D396,806 S * 8/1998 Burke et al. D9/434
D419,443 S * 1/2000 Yonehara et al. D9/432
D496,275 S * 9/2004 Hamuro et al. D9/432
D541,657 S * 5/2007 Mongeon et al. D9/516
D543,112 S * 5/2007 Bridgman et al. D9/516
D566,545 S * 4/2008 Bone et al. D9/432
D566,577 S * 4/2008 Norton et al. D9/644
D567,080 S * 4/2008 Bone et al. D9/432
D581,265 S * 11/2008 Rochel D9/418
D587,111 S * 2/2009 Seol et al. D9/432
D590,250 S * 4/2009 Seol D9/432
D590,251 S * 4/2009 Seol et al. D9/432
D590,252 S * 4/2009 Seol et al. D9/432
D590,253 S * 4/2009 Seol et al. D9/432
D595,129 S * 6/2009 Russell et al. D9/432
D599,201 S * 9/2009 Seol et al. D9/432

D600,548 S * 9/2009 Seol et al. D9/432
D603,701 S * 11/2009 Seol et al. D9/432
D607,328 S * 1/2010 Himeda D9/457
D608,636 S * 1/2010 Seol D9/432
D610,451 S * 2/2010 Rippe D9/435
D612,234 S * 3/2010 Westemeyer D9/434
D618,556 S * 6/2010 Partin et al. D9/643
D621,702 S * 8/2010 Tekulve et al. D9/432
D625,196 S * 10/2010 Partin et al. D9/645
D629,688 S * 12/2010 Bolsinger D9/457
D632,573 S * 2/2011 Bolsinger D9/457

FOREIGN PATENT DOCUMENTS

WO DM/074012 * 7/2010
WO DM/074015 * 7/2010
WO DM/074016 * 7/2010
WO DM/074017 * 7/2010

* cited by examiner

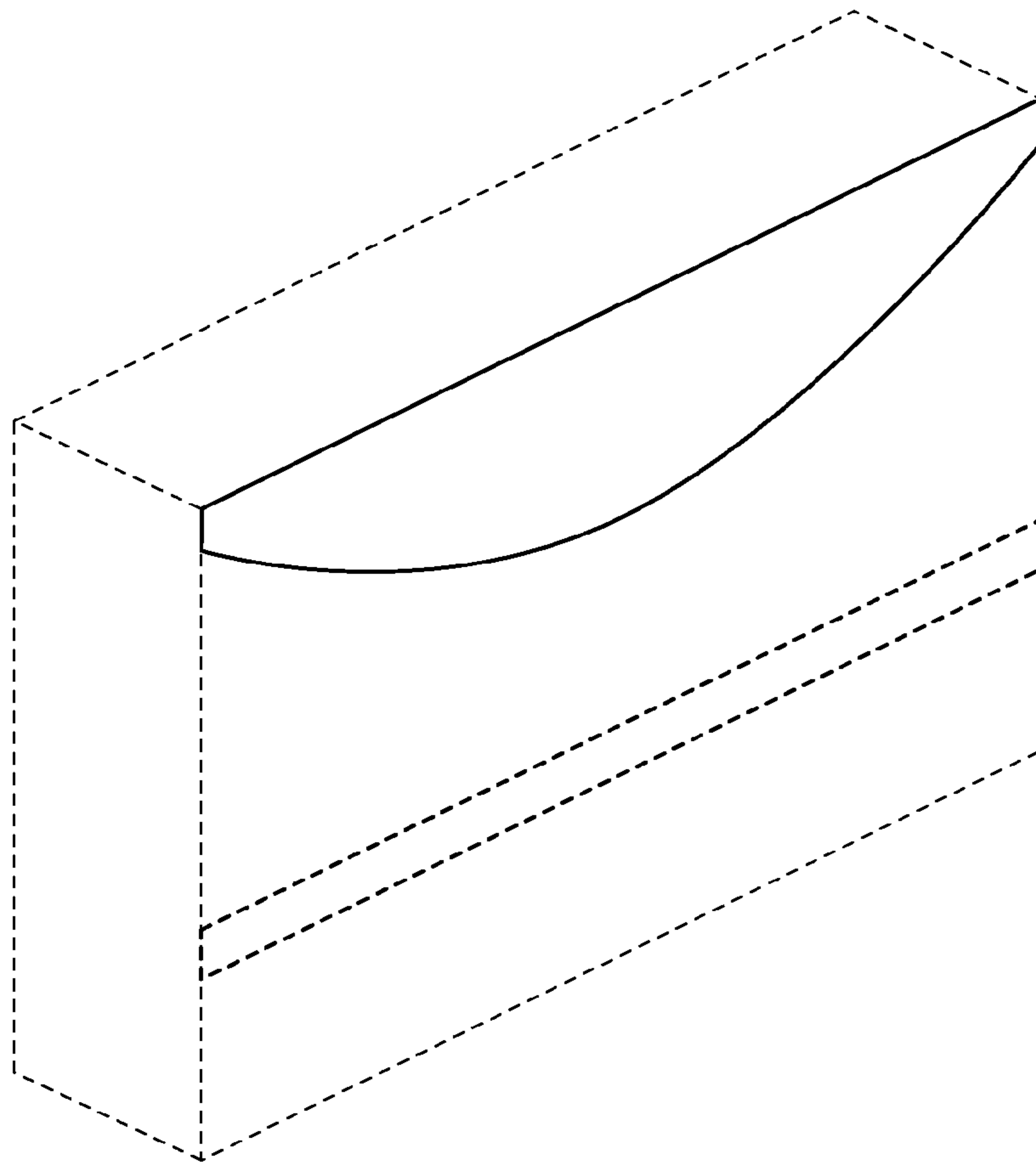


Fig. 1

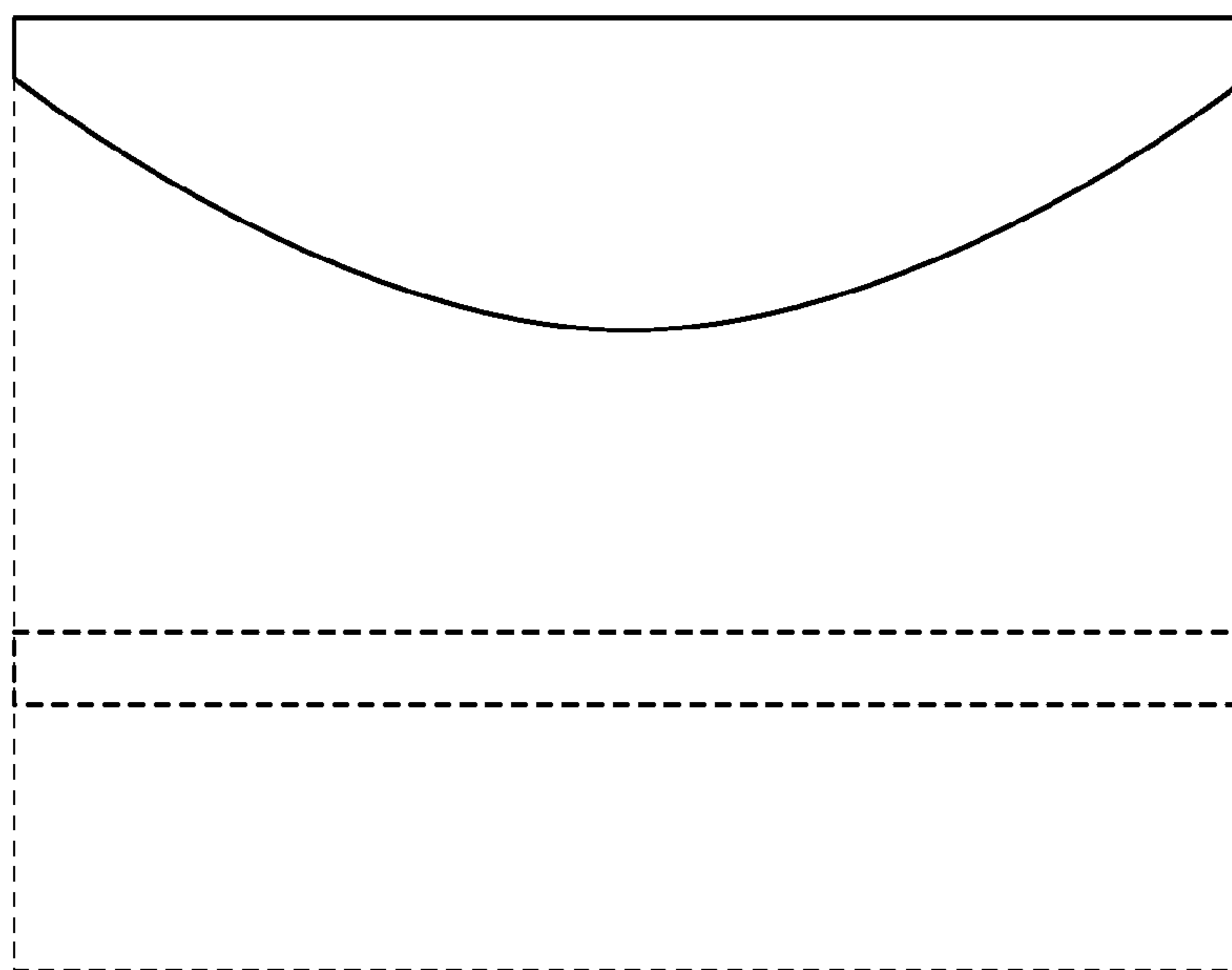


Fig. 2



Fig. 3

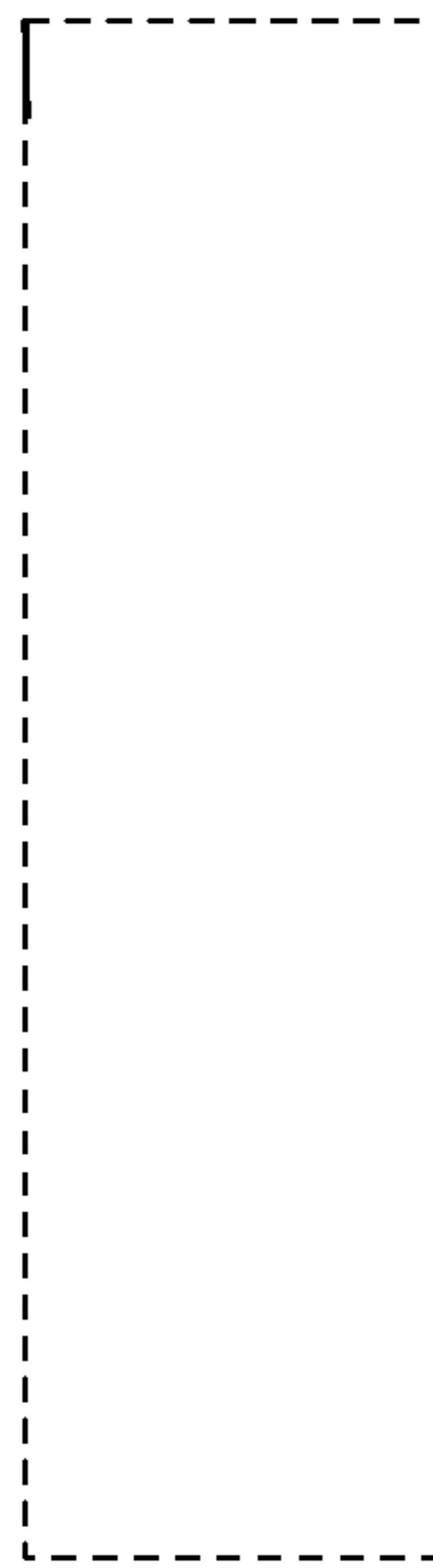


Fig. 4

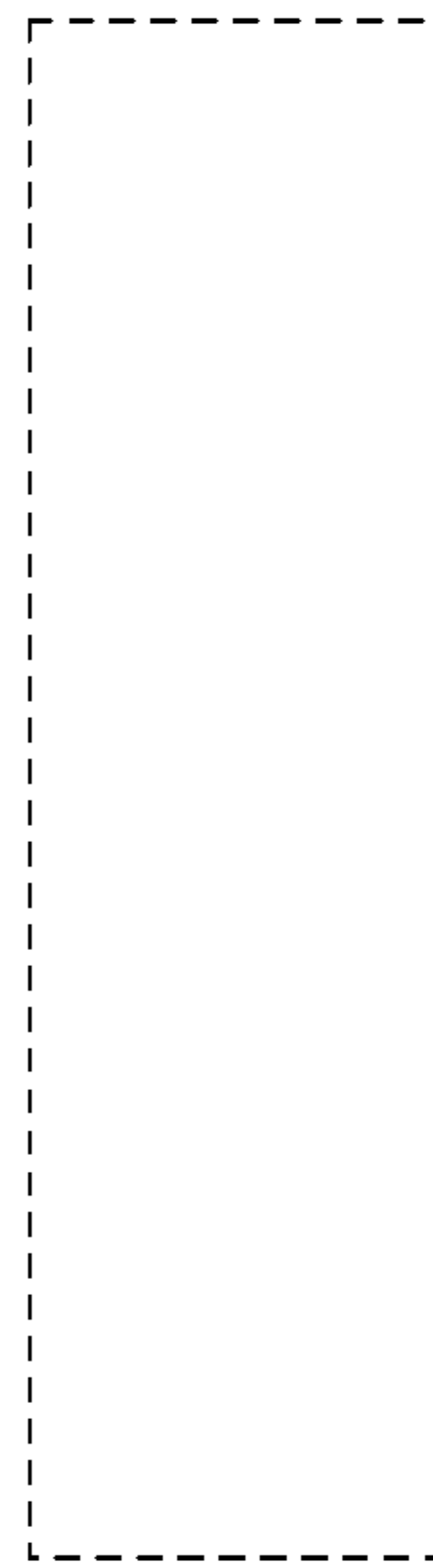


Fig. 5

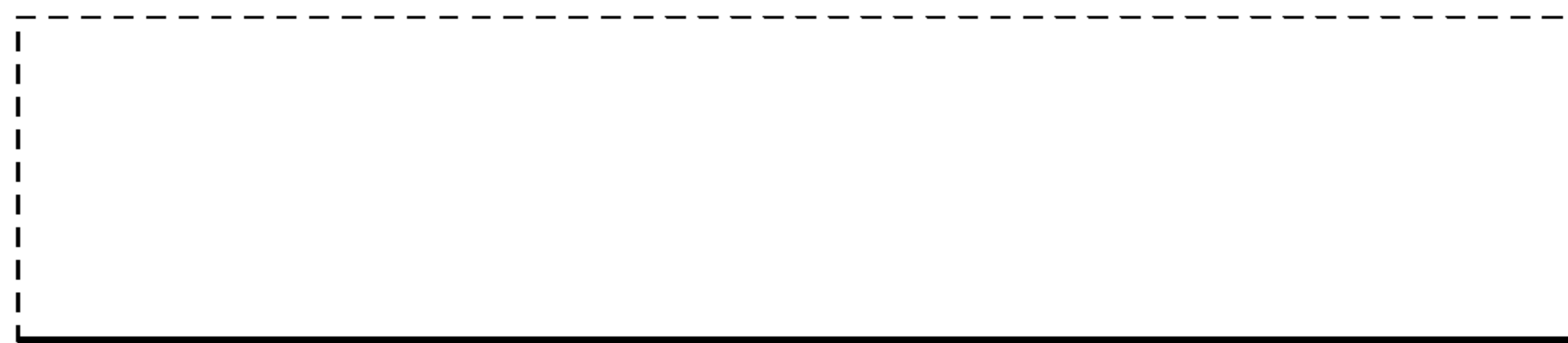


Fig. 6

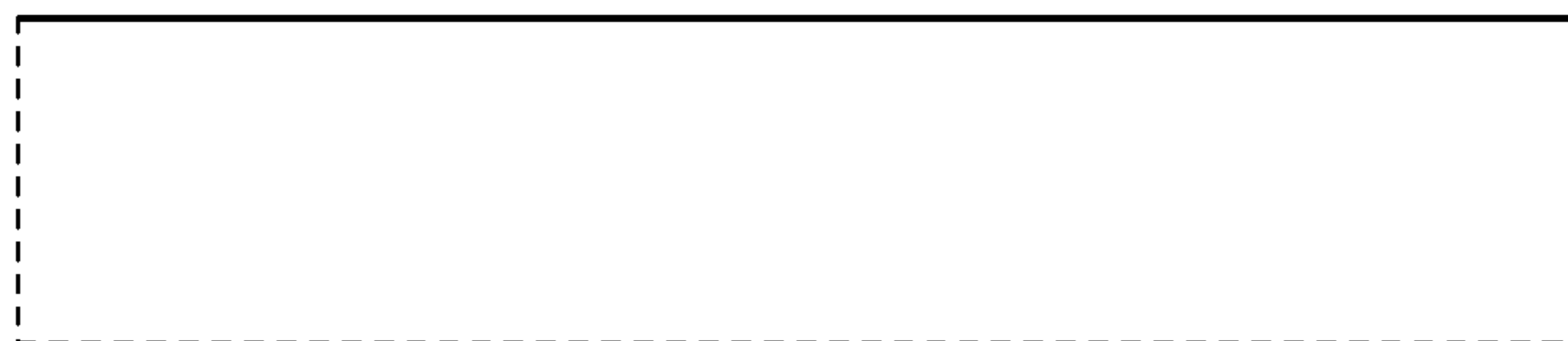


Fig. 7

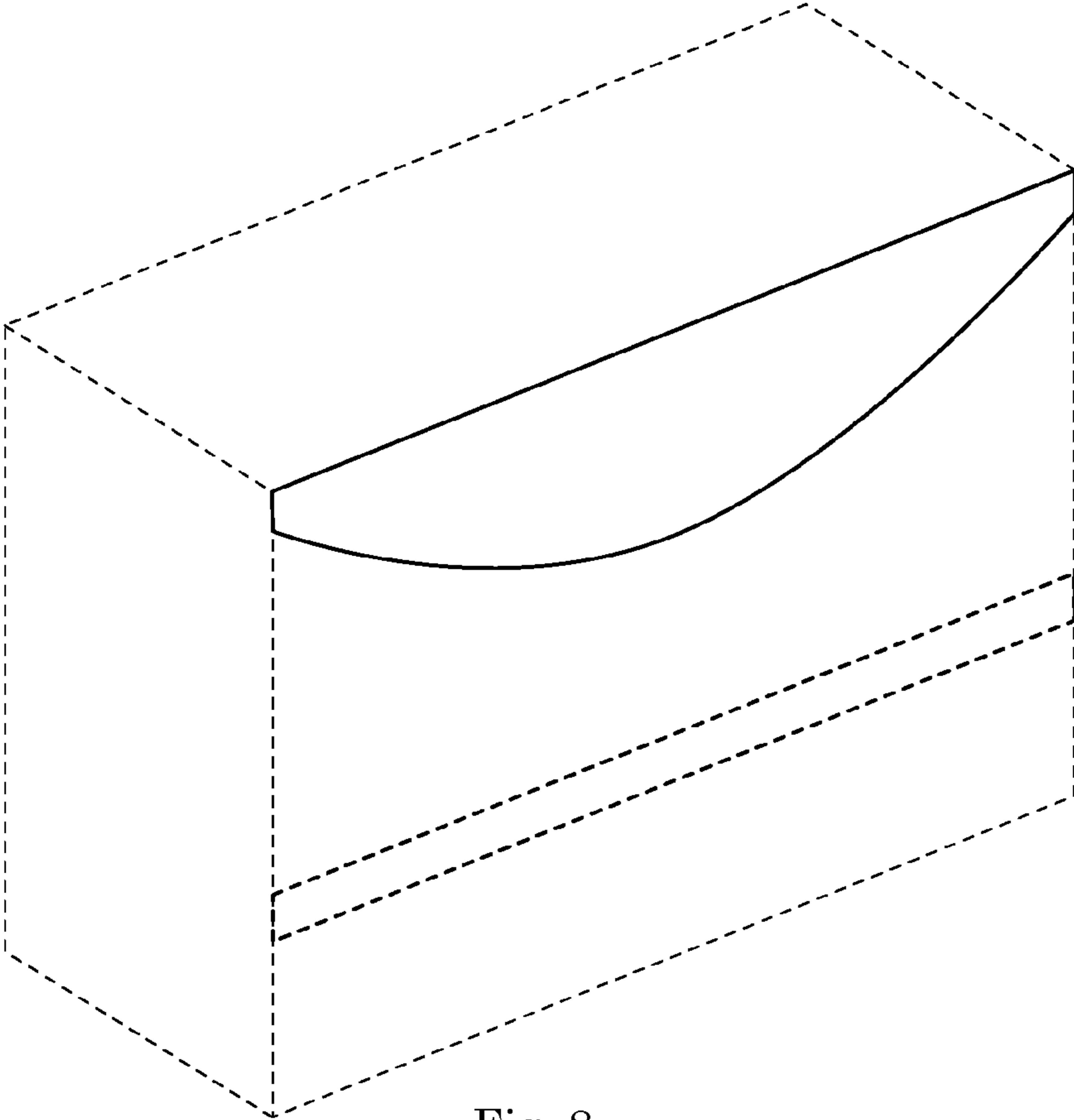


Fig. 8

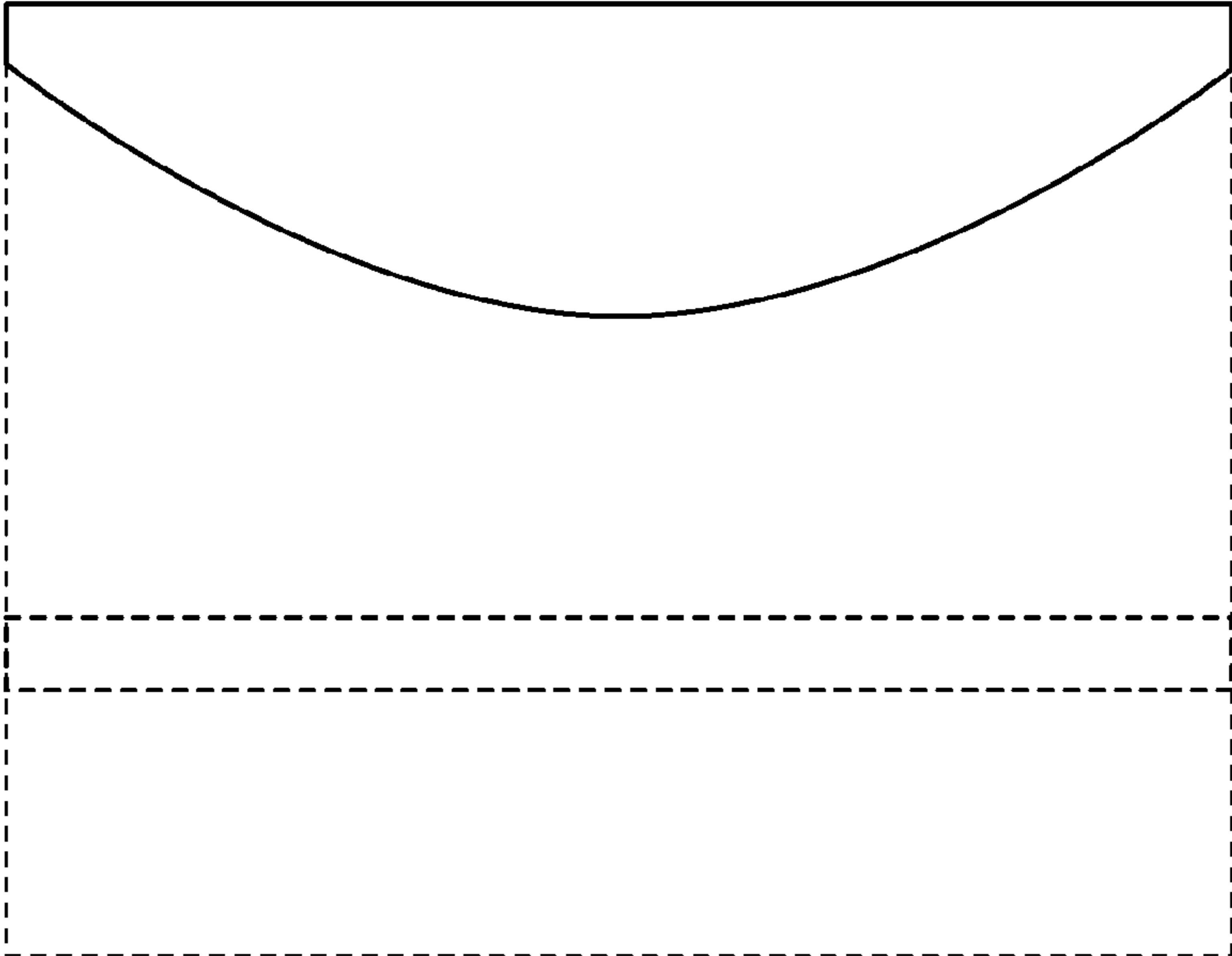


Fig. 9



Fig. 10

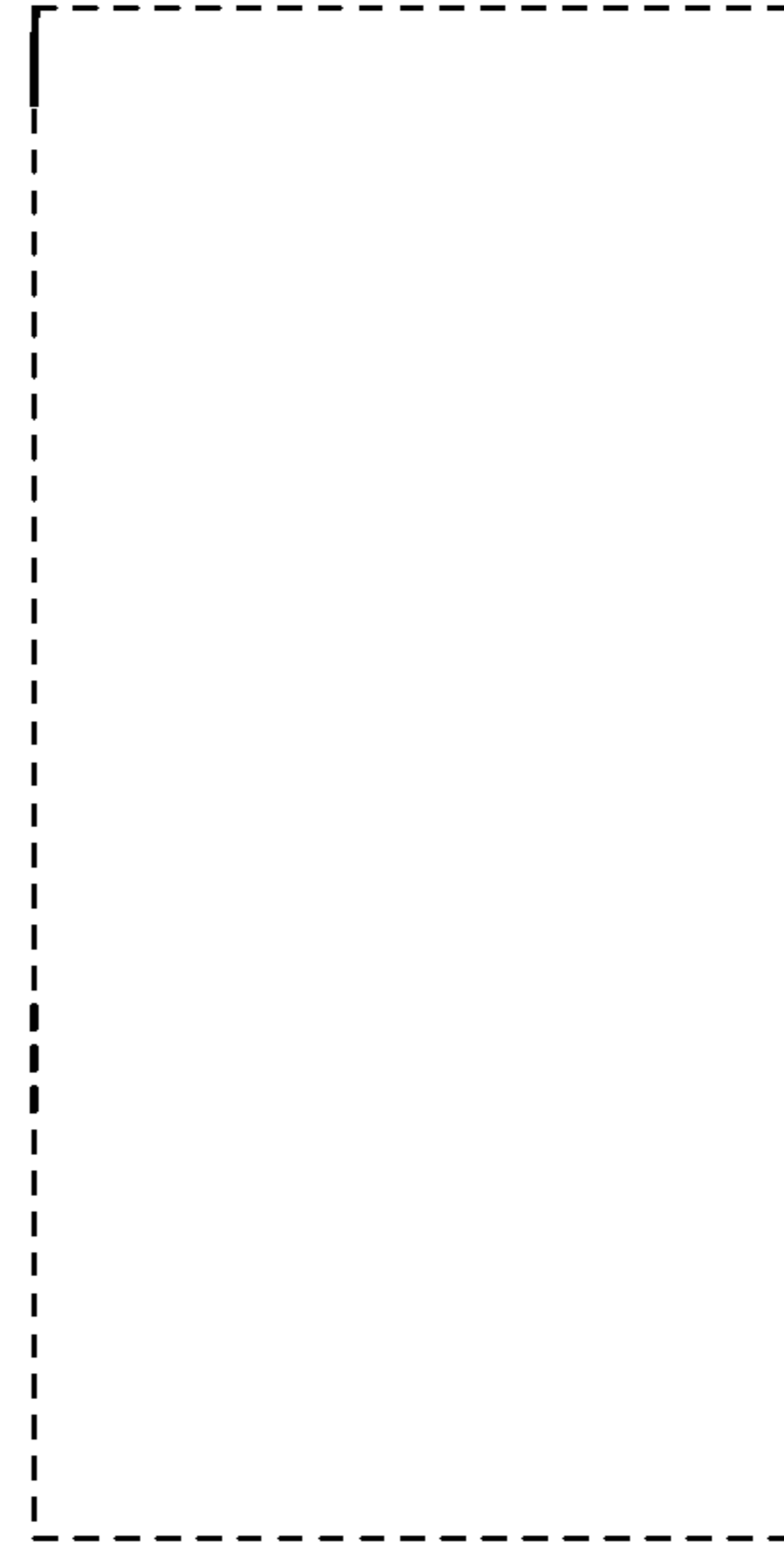


Fig. 11

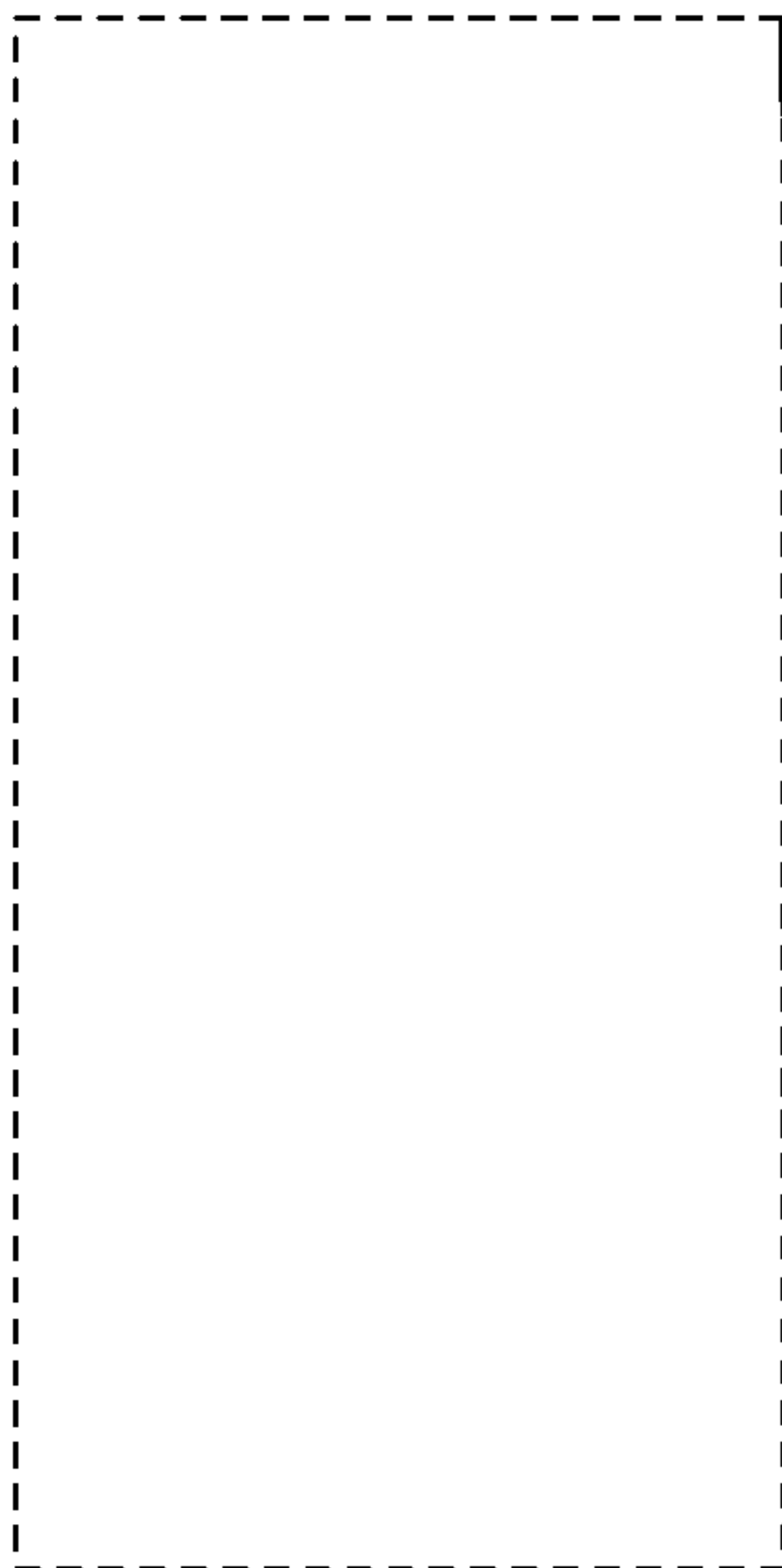


Fig. 12



Fig. 13



Fig. 14

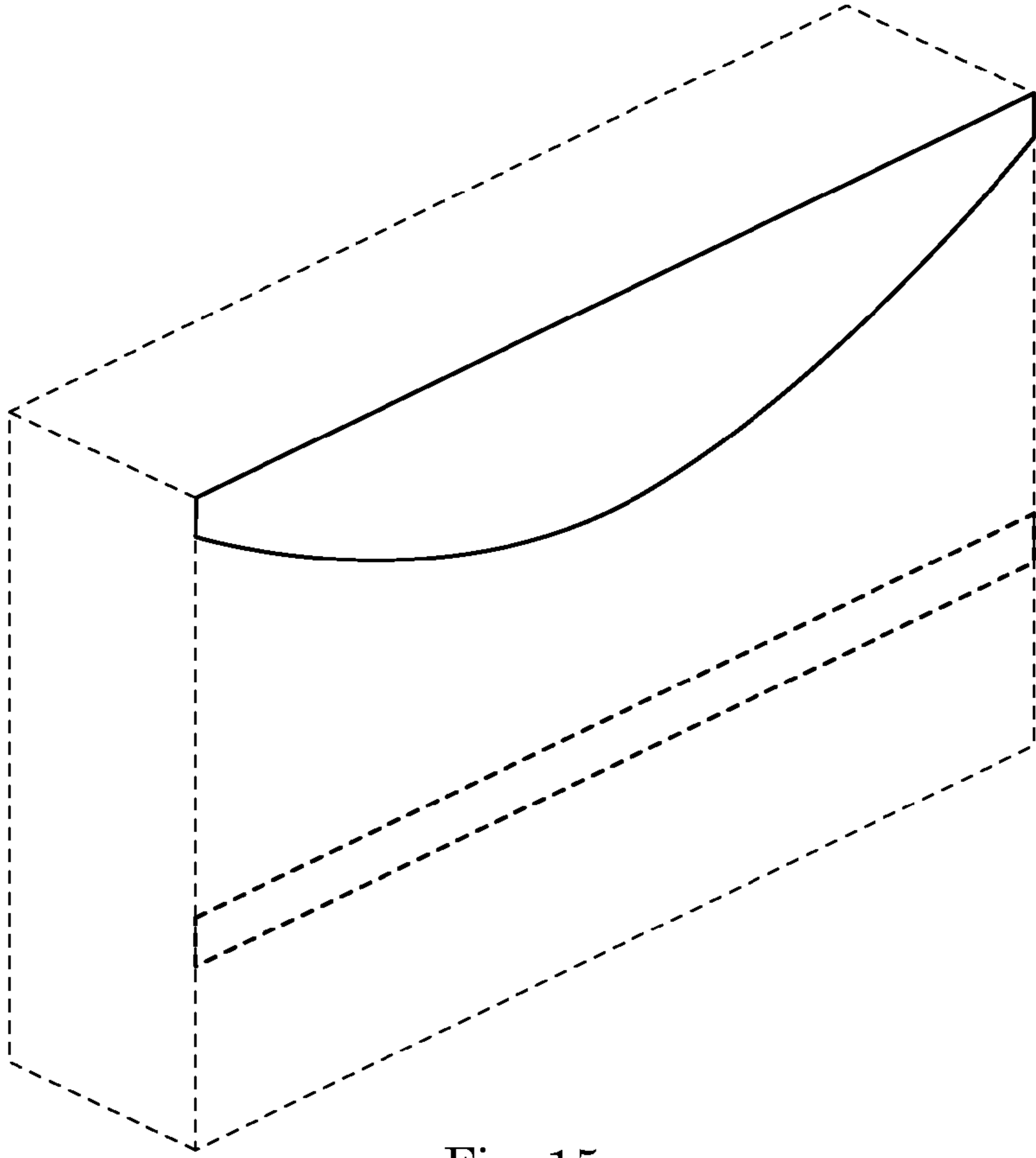


Fig. 15

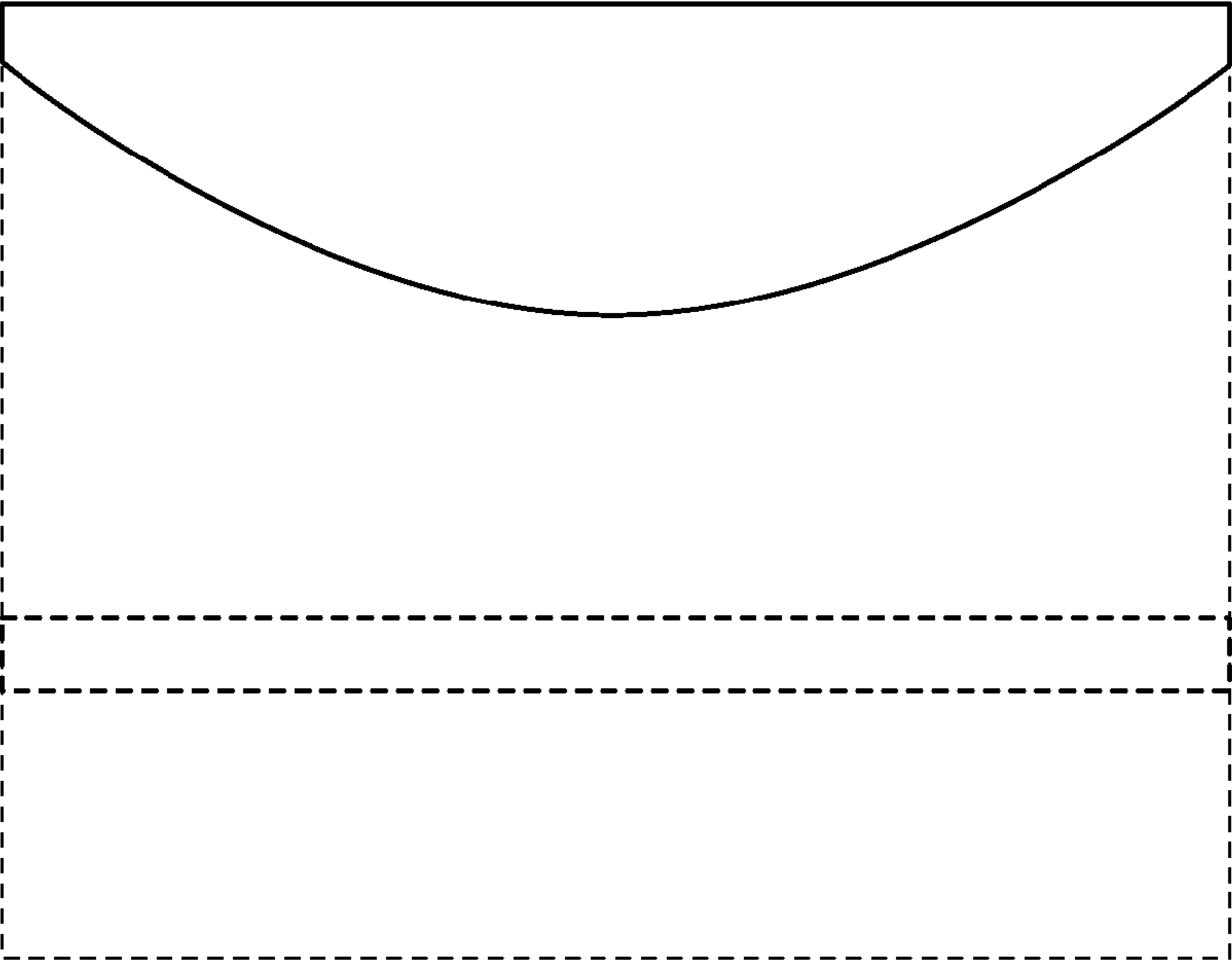


Fig. 16



Fig. 17

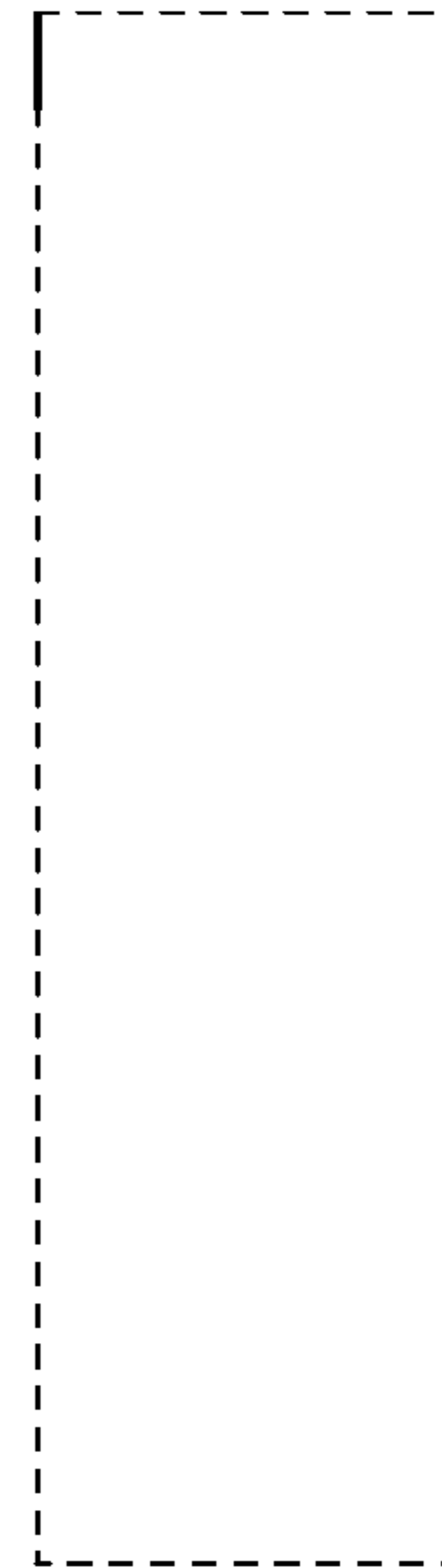


Fig. 18

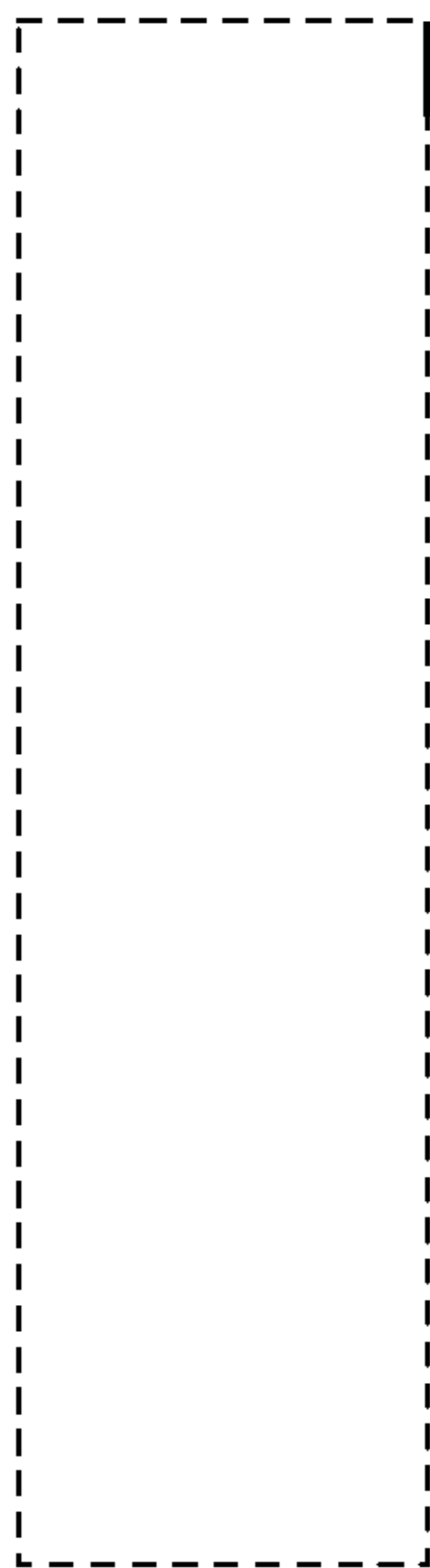


Fig. 19



Fig. 20



Fig. 21

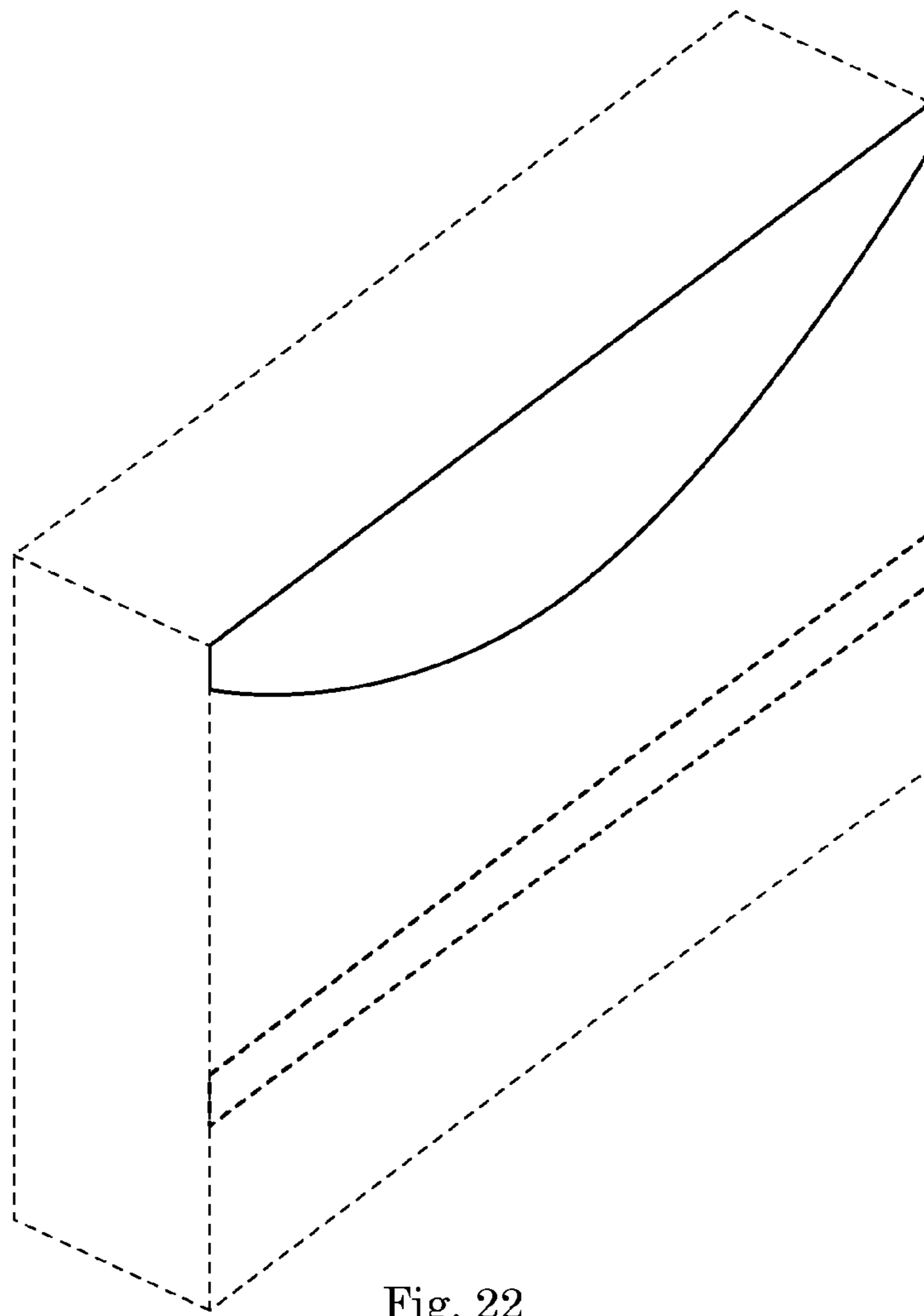


Fig. 22

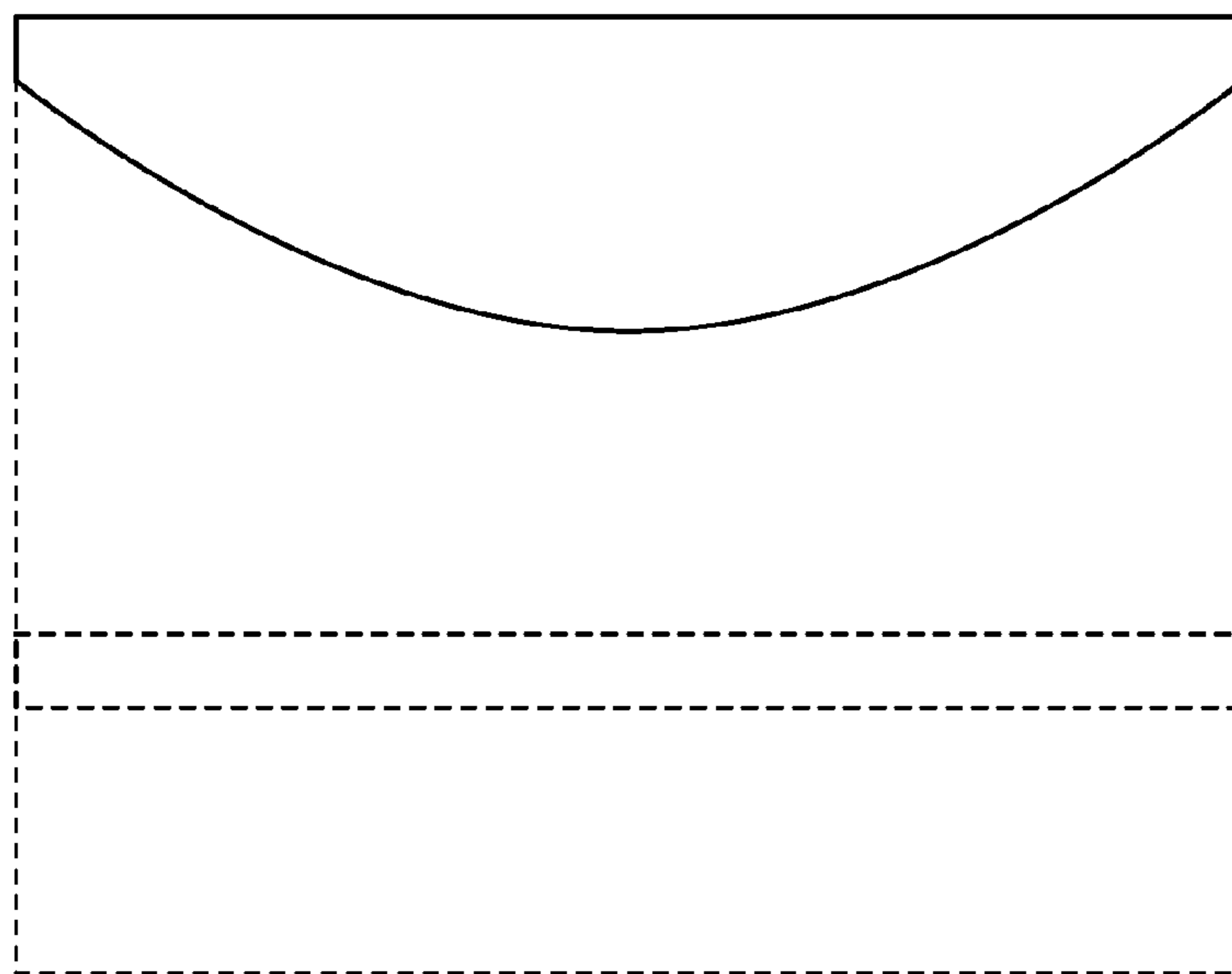


Fig. 23



Fig. 24



Fig. 25

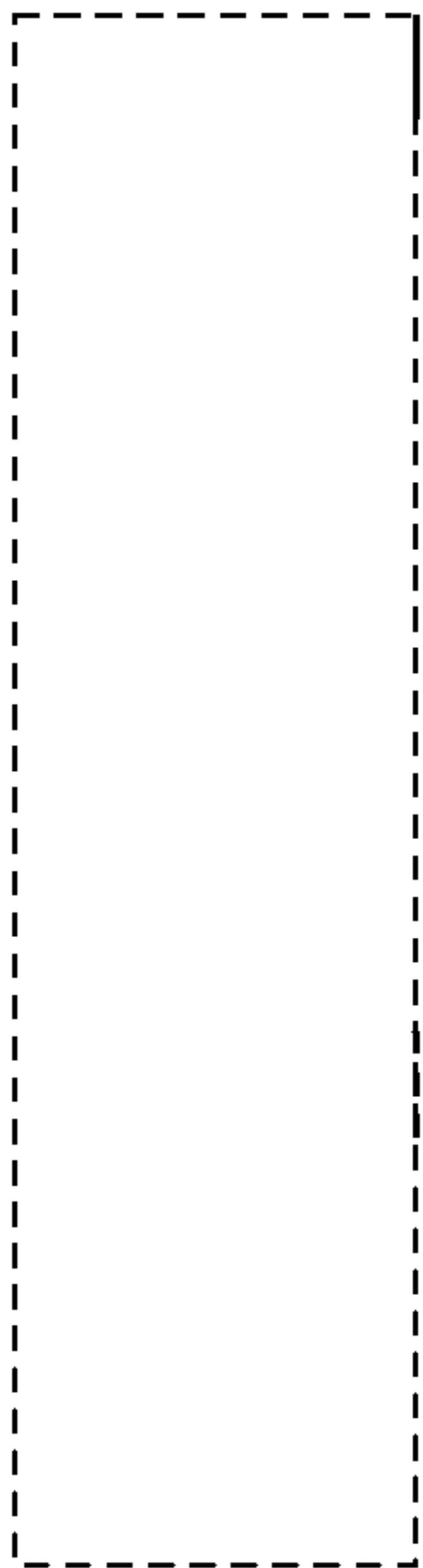


Fig. 26



Fig. 27



Fig. 28

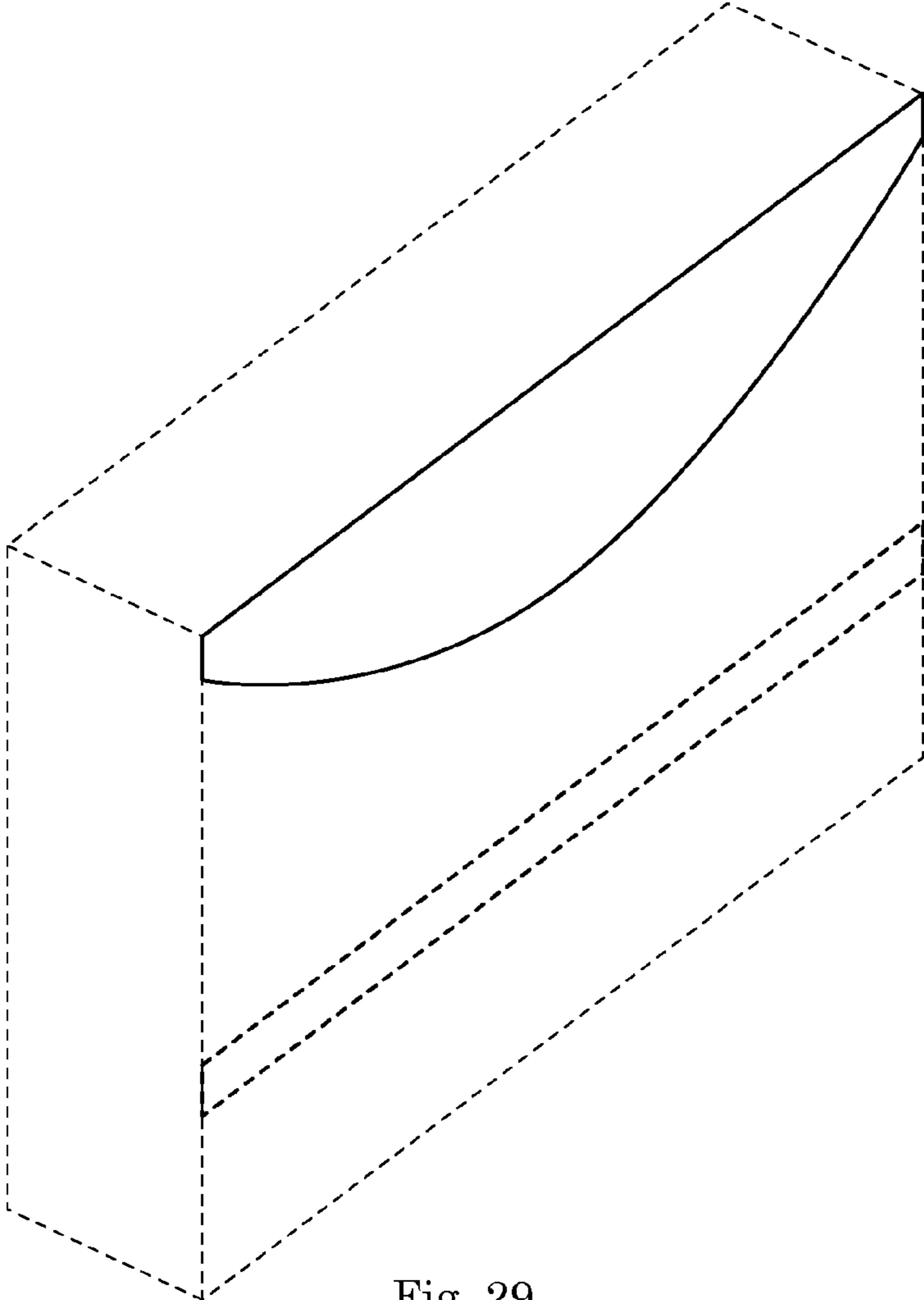


Fig. 29

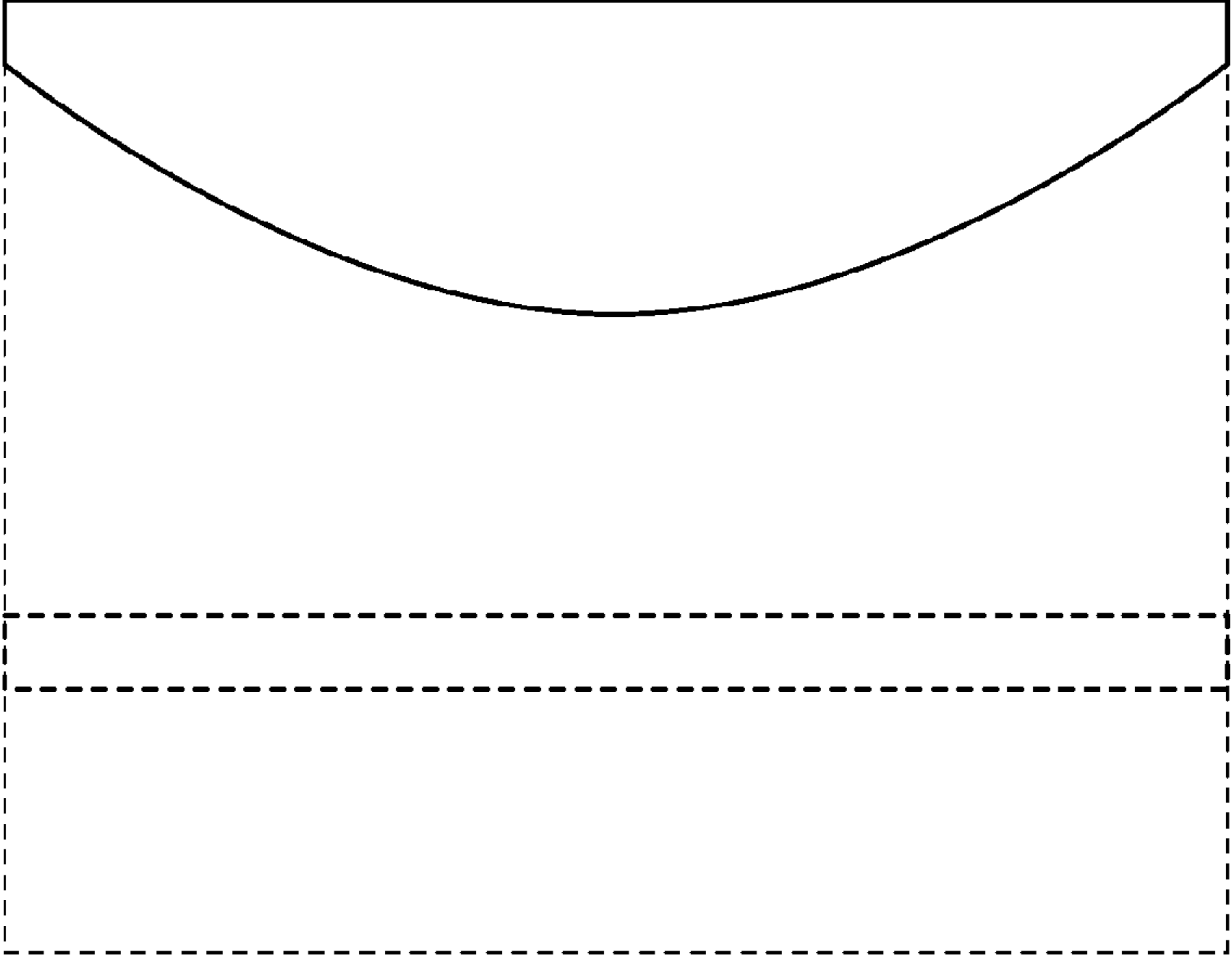


Fig. 30



Fig. 31



Fig. 32

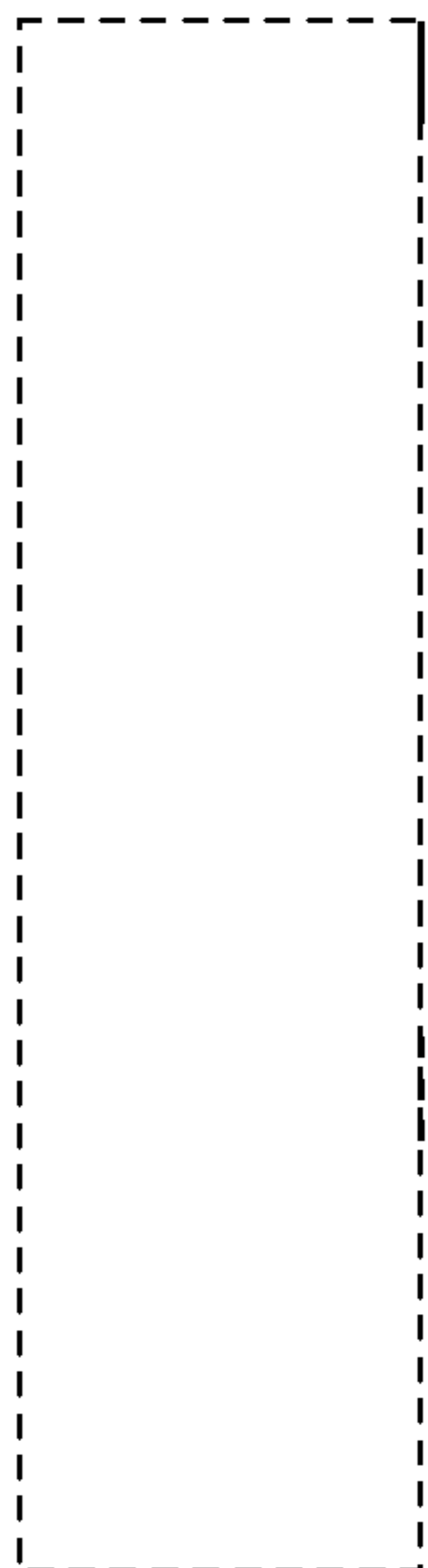


Fig. 33



Fig. 34



Fig. 35