



US00D655170S

(12) **United States Design Patent**  
**Bohache et al.**

(10) **Patent No.:** **US D655,170 S**  
(45) **Date of Patent:** **\*\* \*Mar. 6, 2012**

(54) **PACKAGING CONTAINER HAVING SURFACE ORNAMENTATION**

(75) Inventors: **Joseph Bohache**, Milford, OH (US);  
**Andrea Subler**, West Chester, OH (US);  
**Aaron Burghard**, Cincinnati, OH (US)

(73) Assignee: **The Procter & Gamble Company**,  
Cincinnati, OH (US)

(\*) Notice: This patent is subject to a terminal disclaimer.

(\*\*) Term: **14 Years**

(21) Appl. No.: **29/366,437**

(22) Filed: **Jul. 26, 2010**

**Related U.S. Application Data**

(63) Continuation-in-part of application No. 29/354,435,  
filed on Jan. 25, 2010.

(51) **LOC (9) Cl.** ..... **09-01**

(52) **U.S. Cl.** ..... **D9/516**

(58) **Field of Classification Search** ..... D20/11,  
D20/19, 22-23, 27, 40; D9/550, 554, 563,  
D9/567, 571, 414-516; 40/299.01, 306,  
40/310-311; 283/56, 81; 229/100, 103.2,  
229/103.3, 116.1, 87.18, 89, 406

See application file for complete search history.

(56) **References Cited**

U.S. PATENT DOCUMENTS

D110,869 S \* 8/1938 Kovacs ..... D9/432  
(Continued)

FOREIGN PATENT DOCUMENTS

WO DM/074011 \* 7/2010  
(Continued)

*Primary Examiner* — Ian Simmons

*Assistant Examiner* — Dana L Sipos

(74) *Attorney, Agent, or Firm* — Amanda T. Barry; John M. Howell; Kelly L. Mcdow

(57) **CLAIM**

The ornamental design for a packaging container having surface ornamentation, as shown and described.

**DESCRIPTION**

FIG. 1 is a perspective view of a packaging container having surface ornamentation embodying our new design;

FIG. 2 is a front view thereof;

FIG. 3 is a rear view thereof;

FIG. 4 is a right side view thereof;

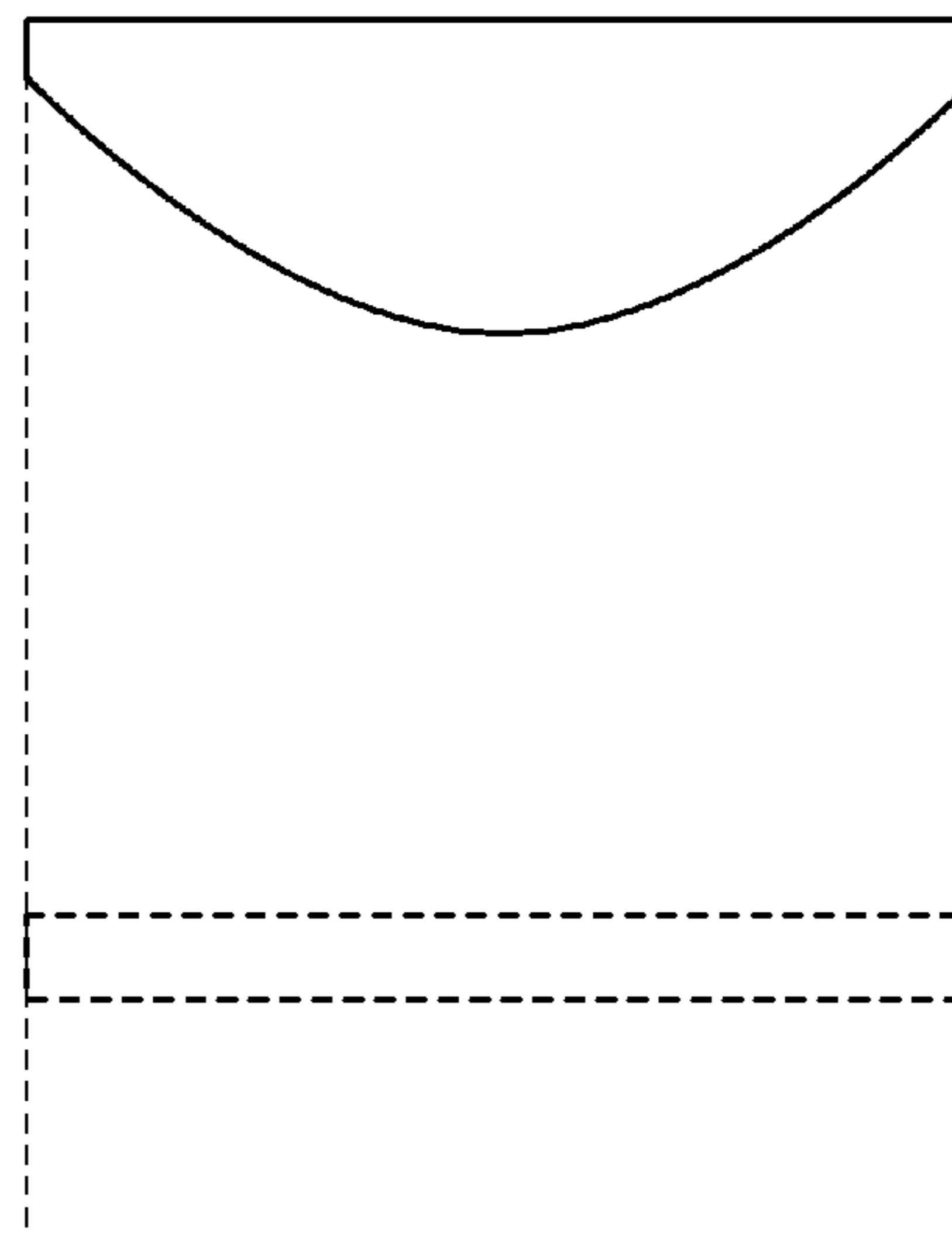
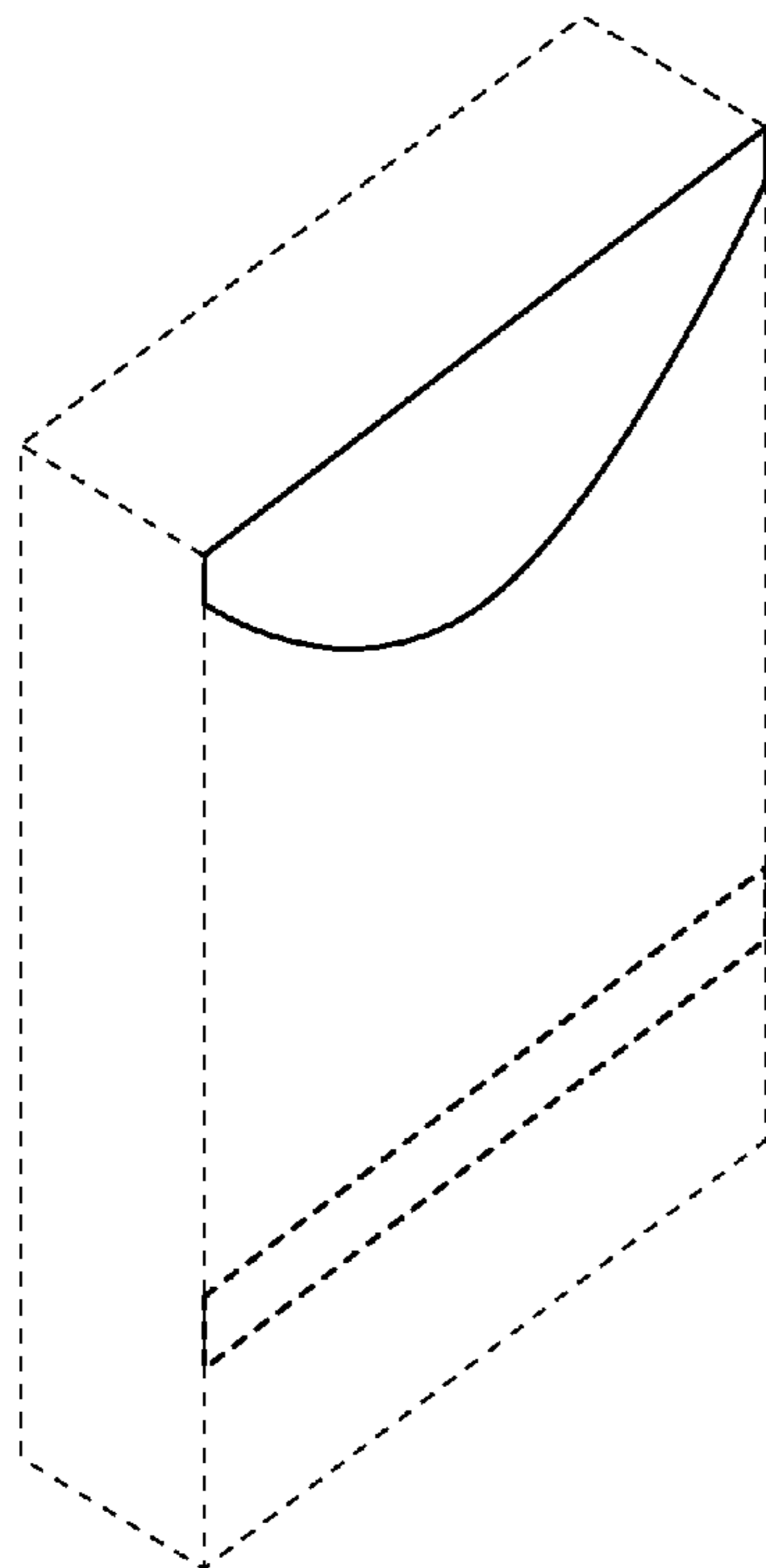
FIG. 5 is a left side view thereof;

FIG. 6 is a top view thereof; and,

FIG. 7 is a bottom view thereof.

Broken lines are included herein for illustrative purposes only and form no part of the claimed design.

**1 Claim, 2 Drawing Sheets**



# US D655,170 S

Page 2

## U.S. PATENT DOCUMENTS

D391,481 S \* 3/1998 Oxley ..... D9/432  
D396,806 S \* 8/1998 Burke et al. .... D9/434  
D419,443 S \* 1/2000 Yonehara et al. .... D9/432  
D496,275 S \* 9/2004 Hamuro et al. .... D9/432  
D541,657 S \* 5/2007 Mongeon et al. .... D9/516  
D543,112 S \* 5/2007 Bridgman et al. .... D9/516  
D566,545 S \* 4/2008 Bone et al. .... D9/432  
D566,577 S \* 4/2008 Norton et al. .... D9/644  
D567,080 S \* 4/2008 Bone et al. .... D9/432  
D581,265 S \* 11/2008 Rochel ..... D9/418  
D587,111 S \* 2/2009 Seol et al. .... D9/432  
D590,250 S \* 4/2009 Seol ..... D9/432  
D590,251 S \* 4/2009 Seol et al. .... D9/432  
D590,252 S \* 4/2009 Seol et al. .... D9/432  
D590,253 S \* 4/2009 Seol et al. .... D9/432  
D595,129 S \* 6/2009 Russell et al. .... D9/432  
D599,201 S \* 9/2009 Seol et al. .... D9/432  
D600,548 S \* 9/2009 Seol et al. .... D9/432

D603,701 S \* 11/2009 Seol et al. .... D9/432  
D607,328 S \* 1/2010 Himeda ..... D9/457  
D608,636 S \* 1/2010 Seol ..... D9/432  
D610,451 S \* 2/2010 Rippe ..... D9/435  
D610,904 S \* 3/2010 Russell et al. .... D9/432  
D612,234 S \* 3/2010 Westemeyer ..... D9/434  
D618,556 S \* 6/2010 Partin et al. .... D9/643  
D621,702 S \* 8/2010 Tekulve et al. .... D9/432  
D625,196 S \* 10/2010 Partin et al. .... D9/645  
D629,688 S \* 12/2010 Bolsinger ..... D9/457  
D632,573 S \* 2/2011 Bolsinger ..... D9/457  
D637,486 S \* 5/2011 Andrew ..... D9/432

## FOREIGN PATENT DOCUMENTS

WO DM/074012 \* 7/2010  
WO DM/074015 \* 7/2010  
WO DM/074016 \* 7/2010  
WO DM/074017 \* 7/2010

\* cited by examiner

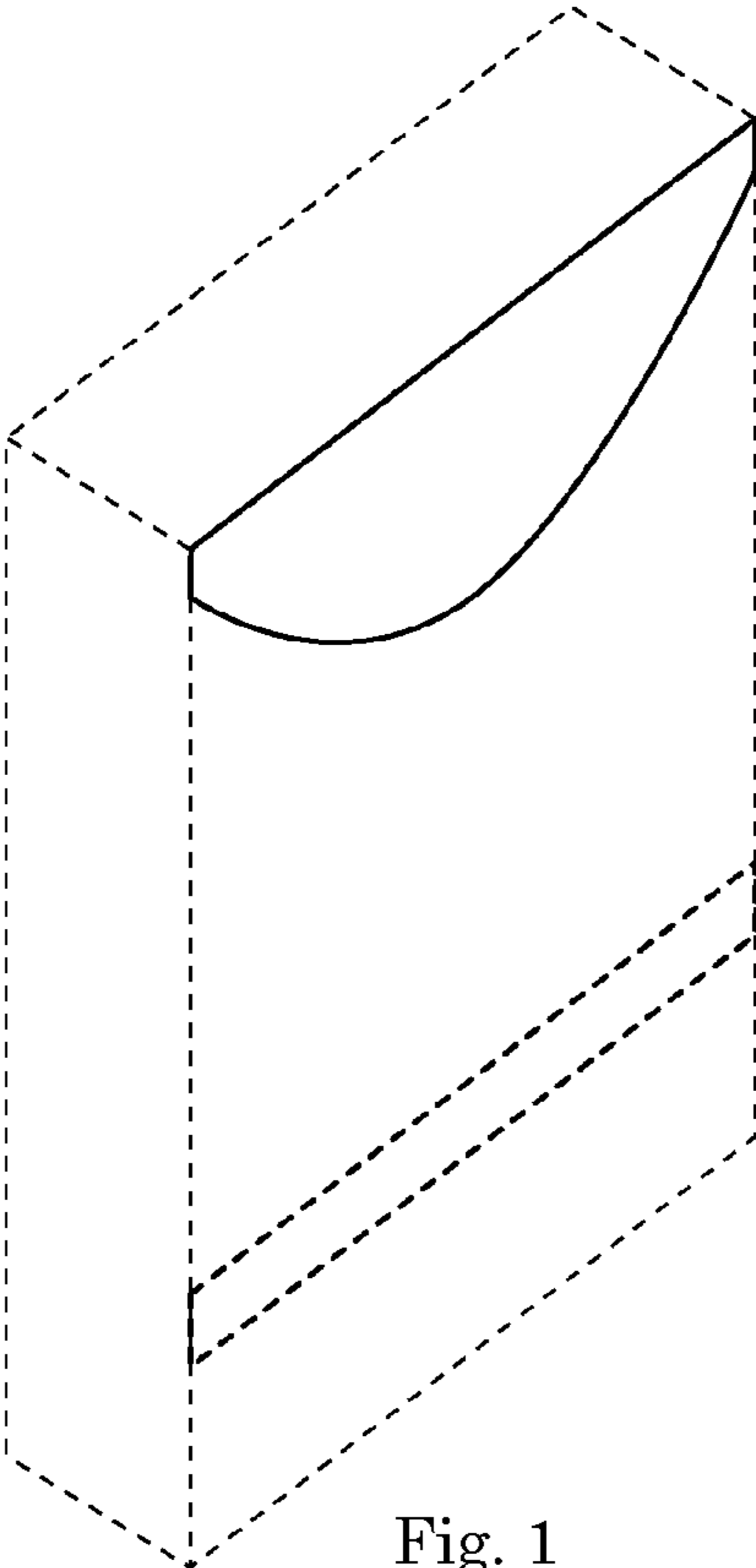


Fig. 1

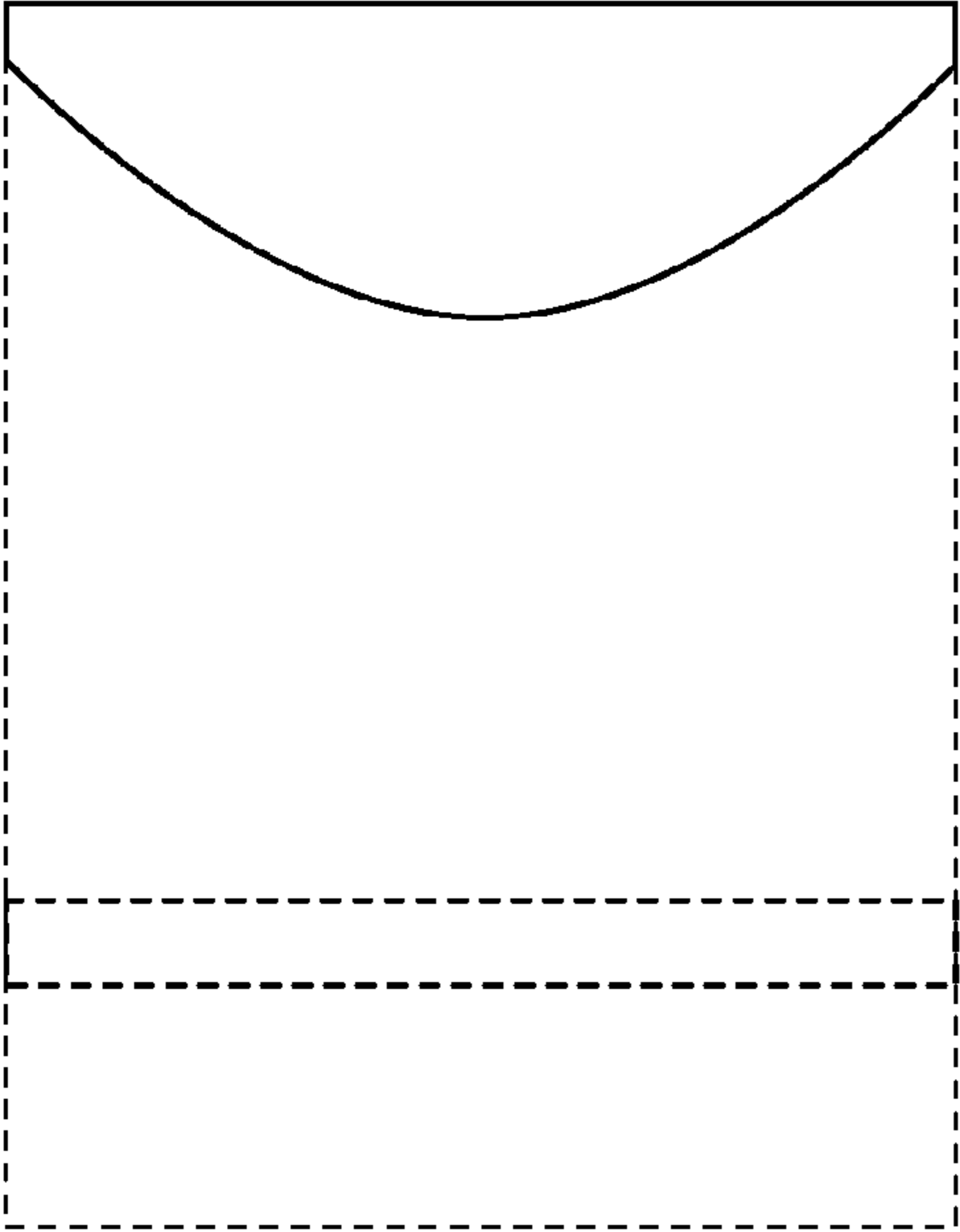


Fig. 2

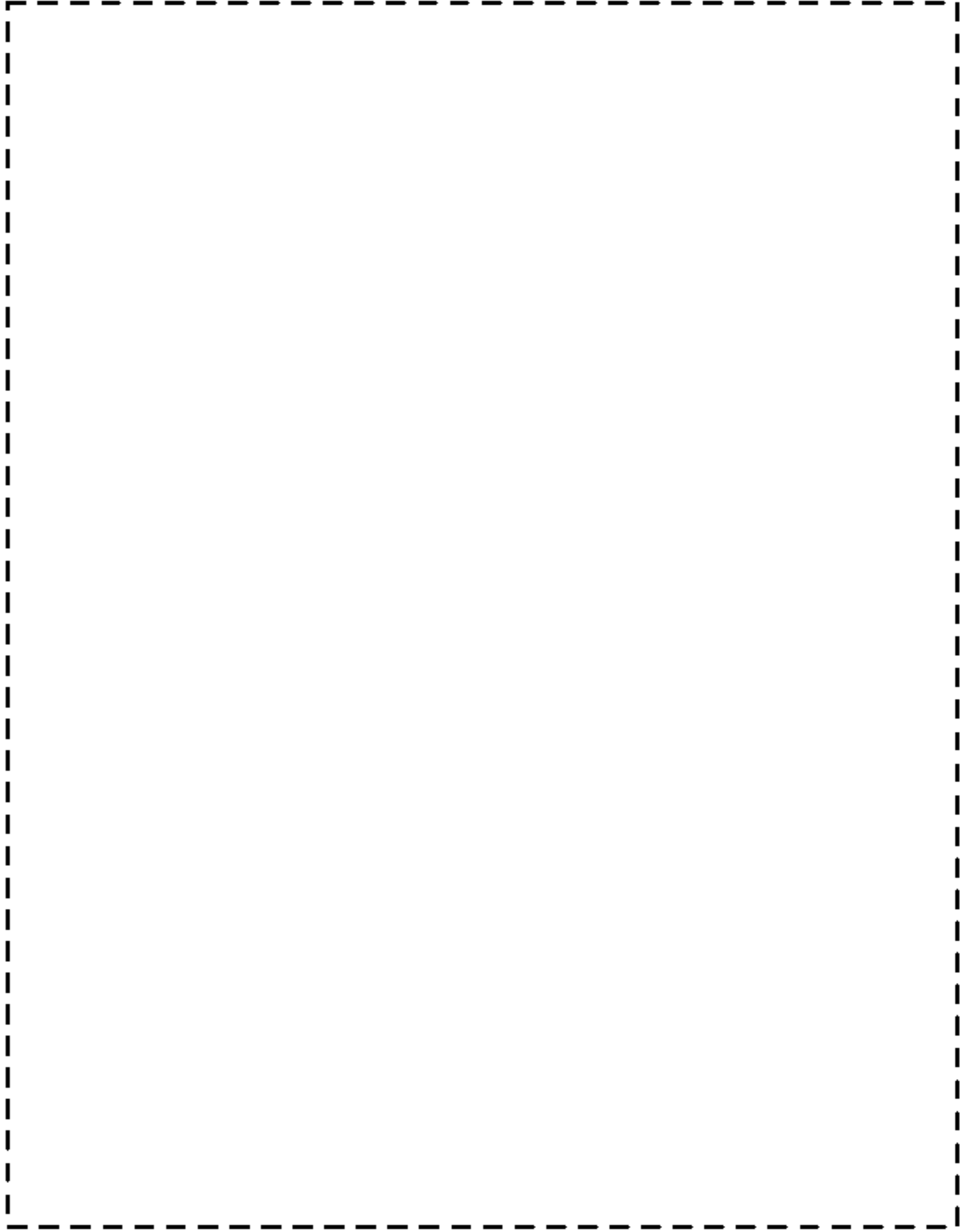


Fig. 3



Fig. 4



Fig. 5

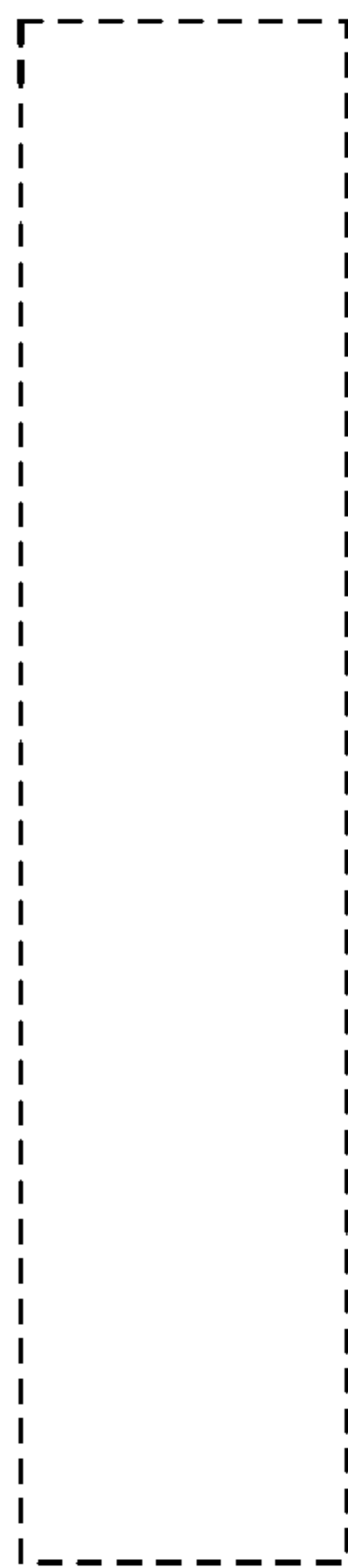


Fig. 6

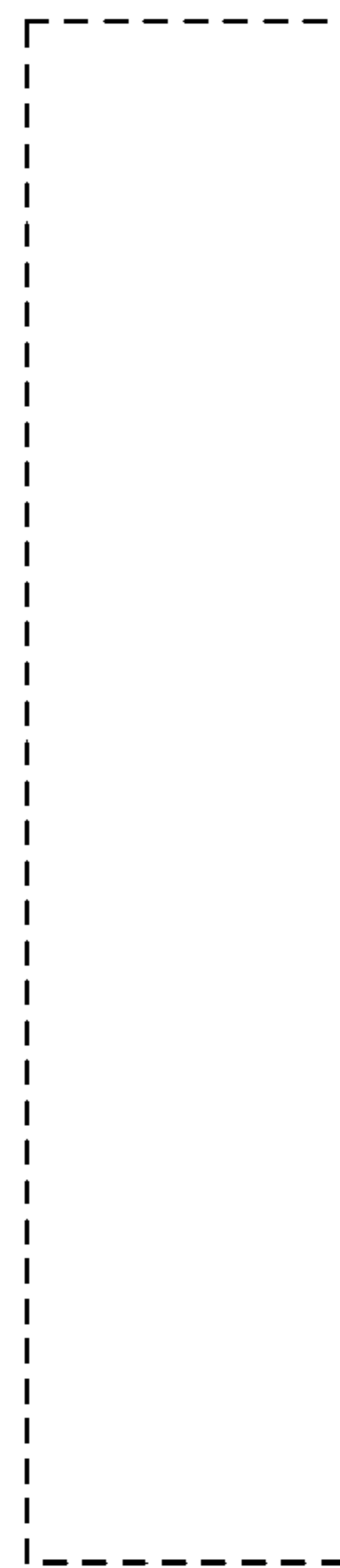


Fig. 7