



US00D655169S

(12) **United States Design Patent**
Bohache et al.

(10) **Patent No.:** **US D655,169 S**
(45) **Date of Patent:** **** Mar. 6, 2012**

(54) **PACKAGING CONTAINER HAVING SURFACE ORNAMENTATION**

D590,253 S * 4/2009 Seol et al. D9/432
D595,129 S * 6/2009 Russell et al. D9/432
(Continued)

(75) Inventors: **Joseph Bohache**, Milford, OH (US);
Andrea Subler, West Chester, OH (US);
Aaron Burghard, Cincinnati, OH (US)

FOREIGN PATENT DOCUMENTS
WO DM/074011 * 7/2010
(Continued)

(73) Assignee: **The Procter & Gamble Company**,
Cincinnati, OH (US)

Primary Examiner — Ian Simmons
Assistant Examiner — Dana L Sipos
(74) *Attorney, Agent, or Firm* — Amanda T. Barry

(**) Term: **14 Years**

(57) **CLAIM**
The ornamental design for a packaging container having surface ornamentation, as shown and described.

(21) Appl. No.: **29/366,436**

(22) Filed: **Jul. 26, 2010**

DESCRIPTION

Related U.S. Application Data

(63) Continuation of application No. 29/354,434, filed on Jan. 25, 2010.

(51) **LOC (9) Cl.** **09-01**

(52) **U.S. Cl.** **D9/516**

(58) **Field of Classification Search** D20/11,
D20/19, 22-23, 27, 40; D9/550, 554, 563,
D9/567, 571, 414-516, 424, 433, 434, 457;
40/299.01, 306, 310-311; 283/56, 81; 229/100,
229/103.2, 103.3, 116.1, 87.18, 89, 406
See application file for complete search history.

FIG. 1 is a perspective view of packaging container having surface ornamentation embodying our new design;
FIG. 2 is a front view thereof;
FIG. 3 is a rear view thereof;
FIG. 4 is right side view thereof;
FIG. 5 is a left side view thereof;
FIG. 6 is a top view thereof;
FIG. 7 is a bottom view thereof;
FIG. 8 is a perspective view of a second embodiment of packaging container having surface ornamentation embodying our new design;
FIG. 9 is a front view thereof;
FIG. 10 is a rear view thereof;
FIG. 11 is a right side view thereof;
FIG. 12 is a left side view thereof;
FIG. 13 is a top view thereof;
FIG. 14 is a bottom view thereof;
FIG. 15 is a perspective view of a third embodiment of packaging container having surface ornamentation embodying our new design;
FIG. 16 is a front view thereof;
FIG. 17 is a rear view thereof;
FIG. 18 is a right side view thereof;
FIG. 19 is a left side view thereof;
FIG. 20 is a top view thereof; and,
FIG. 21 is a bottom view thereof.

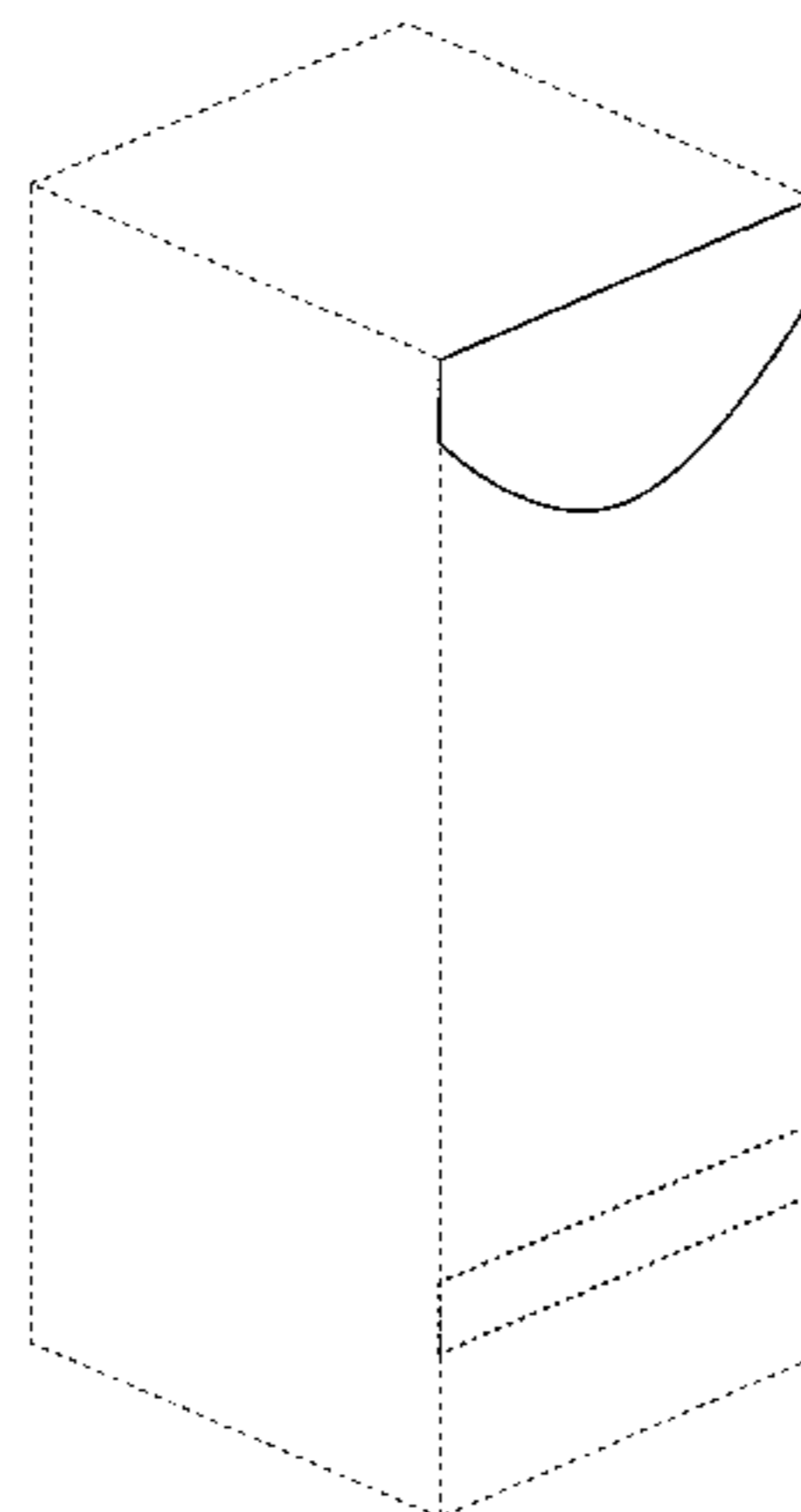
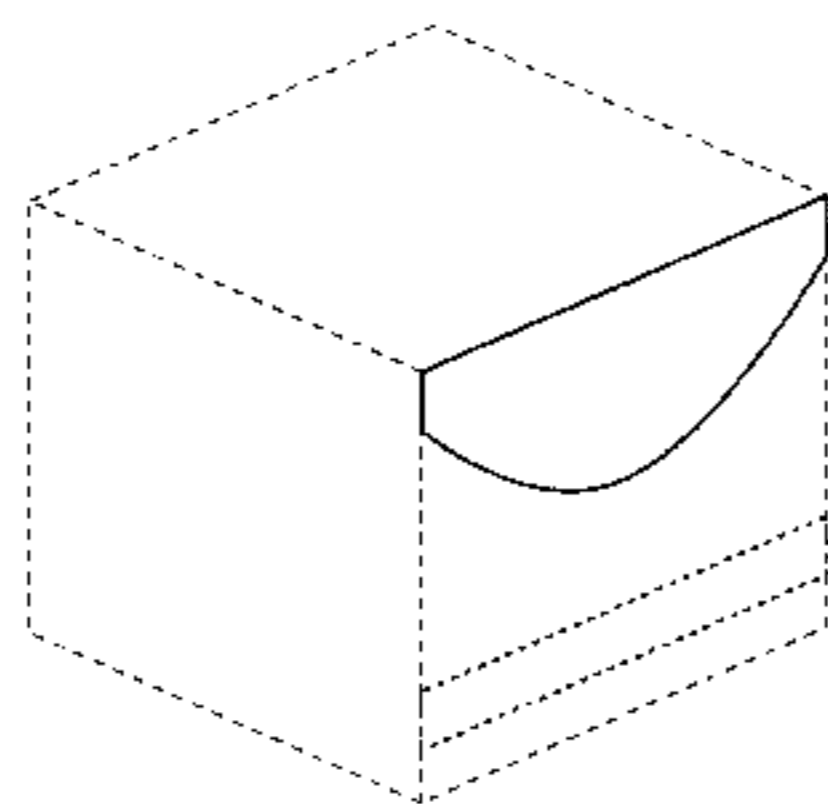
Broken lines are included herein for illustrative purposes only and form no part of the claimed design.

(56) **References Cited**

U.S. PATENT DOCUMENTS

D110,869 S * 8/1938 Kovacs D9/432
D391,481 S * 3/1998 Oxley D9/432
D396,806 S * 8/1998 Burke et al. D9/434
D419,443 S * 1/2000 Yonehara et al. D9/432
D496,275 S * 9/2004 Hamuro et al. D9/432
D541,657 S * 5/2007 Mongeon et al. D9/516
D543,112 S * 5/2007 Bridgman et al. D9/516
D566,545 S * 4/2008 Bone et al. D9/432
D566,577 S * 4/2008 Norton et al. D9/644
D567,080 S * 4/2008 Bone et al. D9/432
D581,265 S * 11/2008 Rochel D9/418
D587,111 S * 2/2009 Seol et al. D9/432
D590,250 S * 4/2009 Seol D9/432
D590,251 S * 4/2009 Seol et al. D9/432
D590,252 S * 4/2009 Seol et al. D9/432

1 Claim, 7 Drawing Sheets



US D655,169 S

Page 2

U.S. PATENT DOCUMENTS

D599,201 S * 9/2009 Seol et al. D9/432
D600,548 S * 9/2009 Seol et al. D9/432
D603,701 S * 11/2009 Seol et al. D9/432
D607,328 S * 1/2010 Himeda D9/457
D608,636 S * 1/2010 Seol D9/432
D610,451 S * 2/2010 Rippe D9/435
D612,234 S * 3/2010 Westemeyer D9/434
D618,556 S * 6/2010 Partin et al. D9/643
D621,702 S * 8/2010 Tekulve et al. D9/432
D625,196 S * 10/2010 Partin et al. D9/645

D629,688 S * 12/2010 Bolsinger D9/457
D632,573 S * 2/2011 Bolsinger D9/457

FOREIGN PATENT DOCUMENTS

WO DM/074012 * 7/2010
WO DM/074015 * 7/2010
WO DM/074016 * 7/2010
WO DM/074017 * 7/2010

* cited by examiner

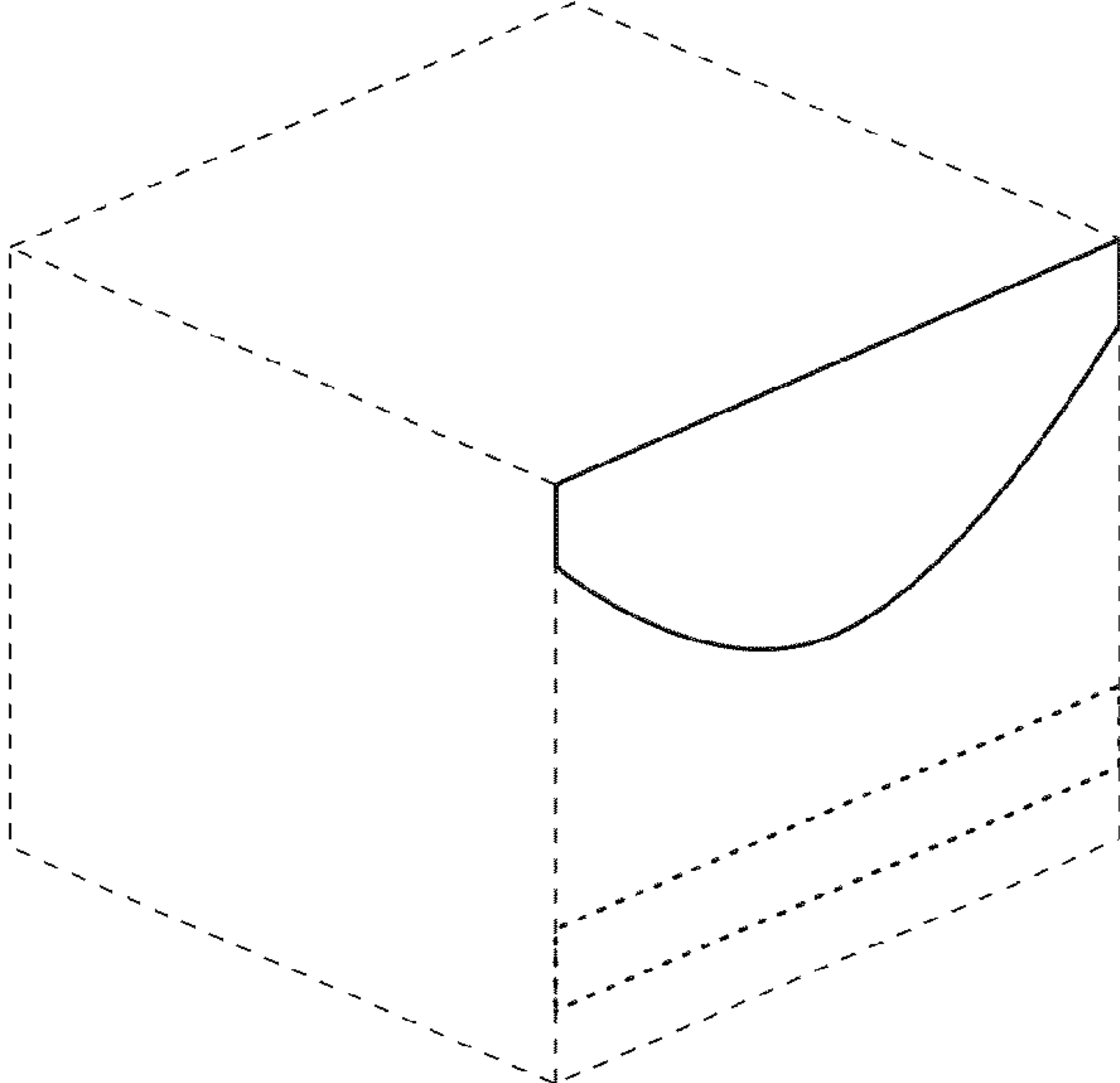


Fig. 1

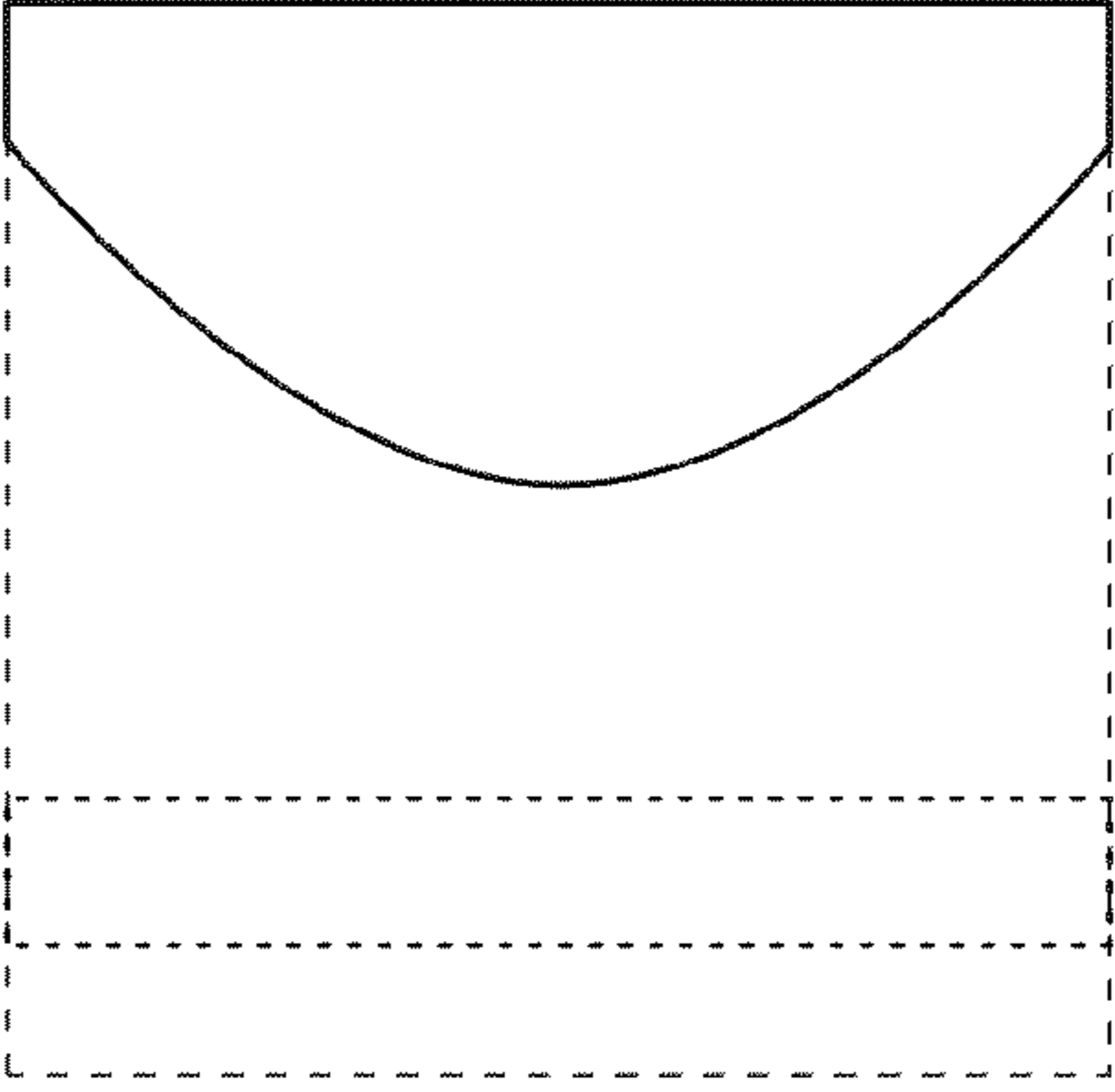


Fig. 2

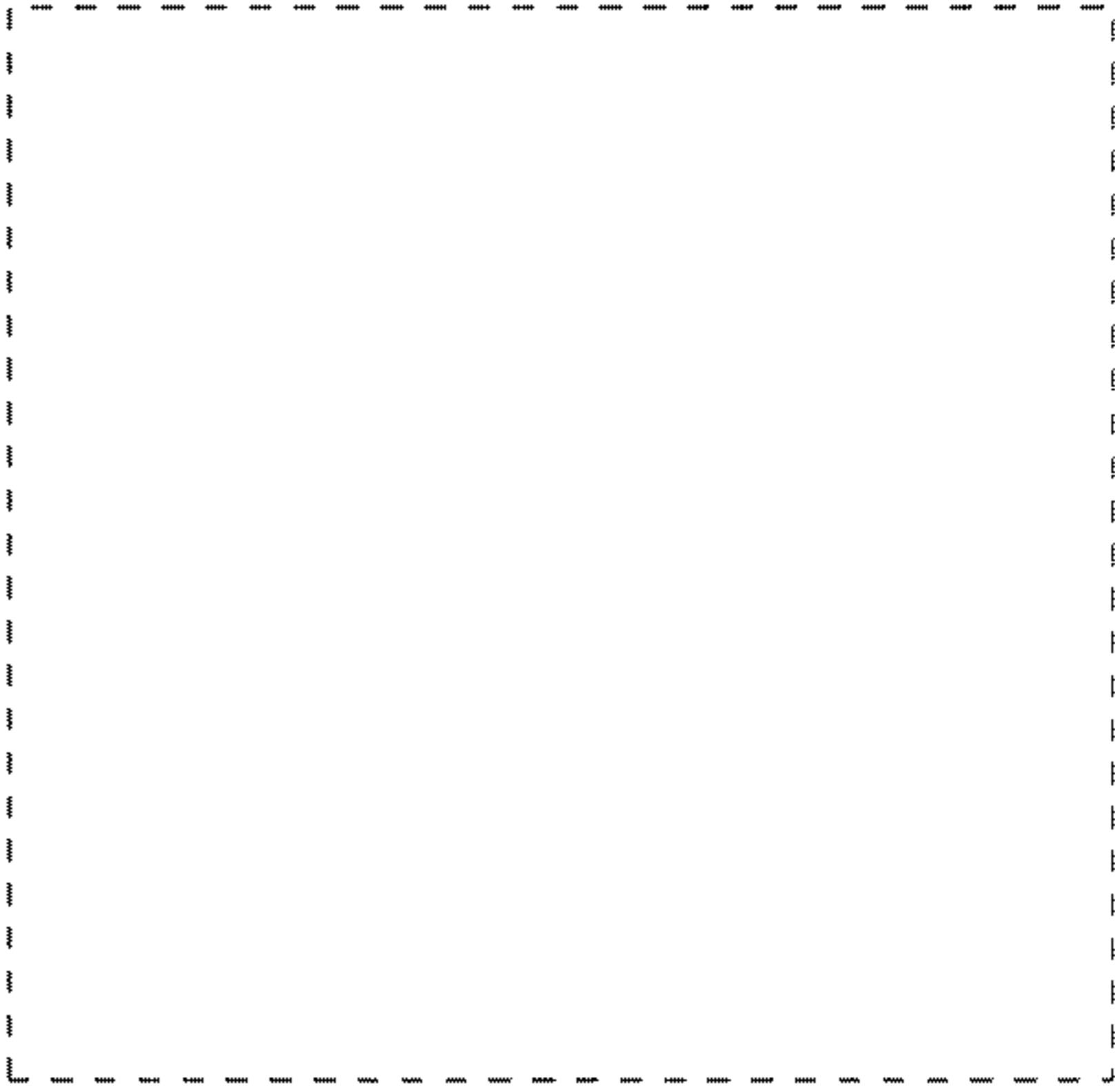


Fig. 3

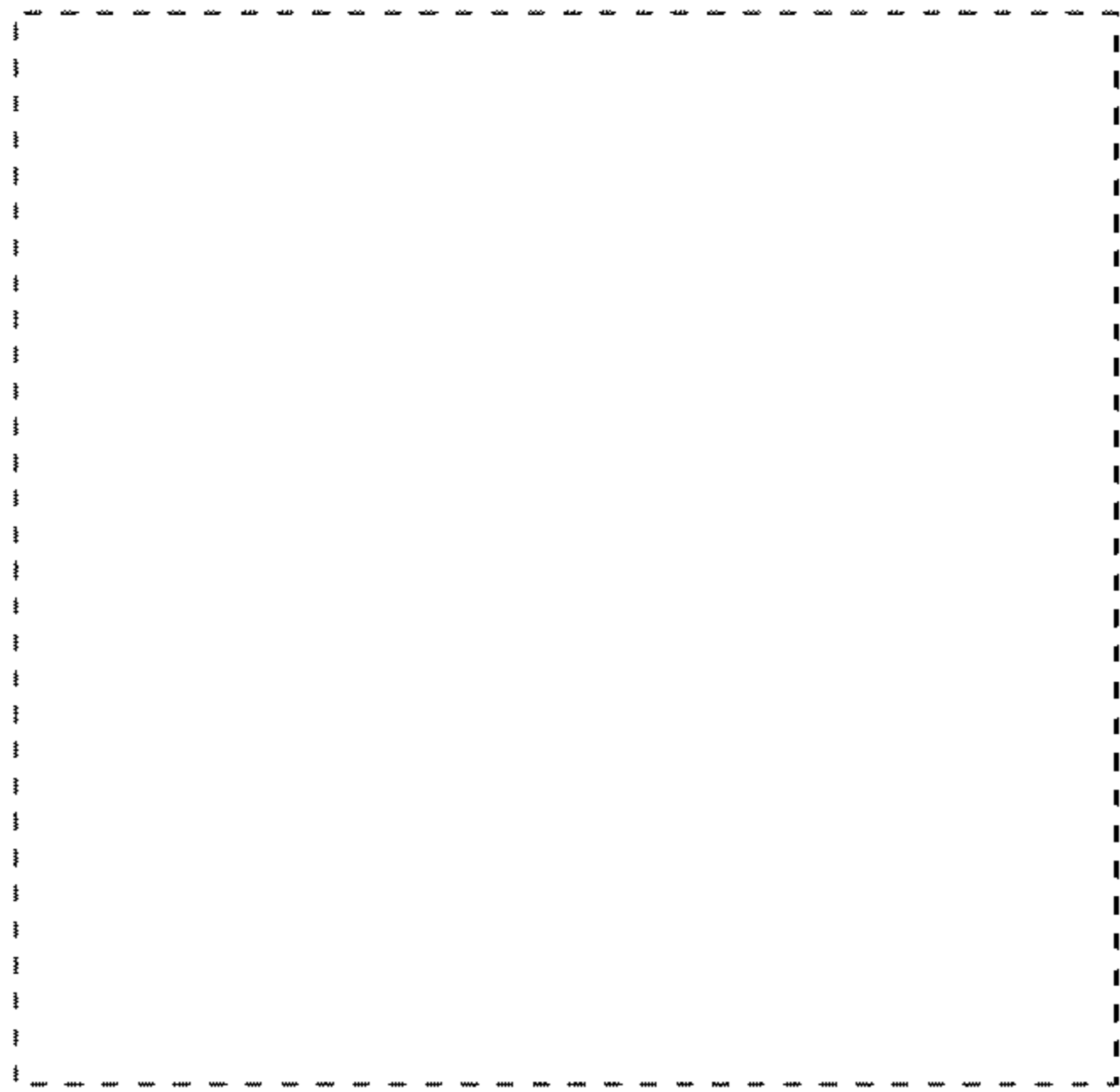


Fig. 4

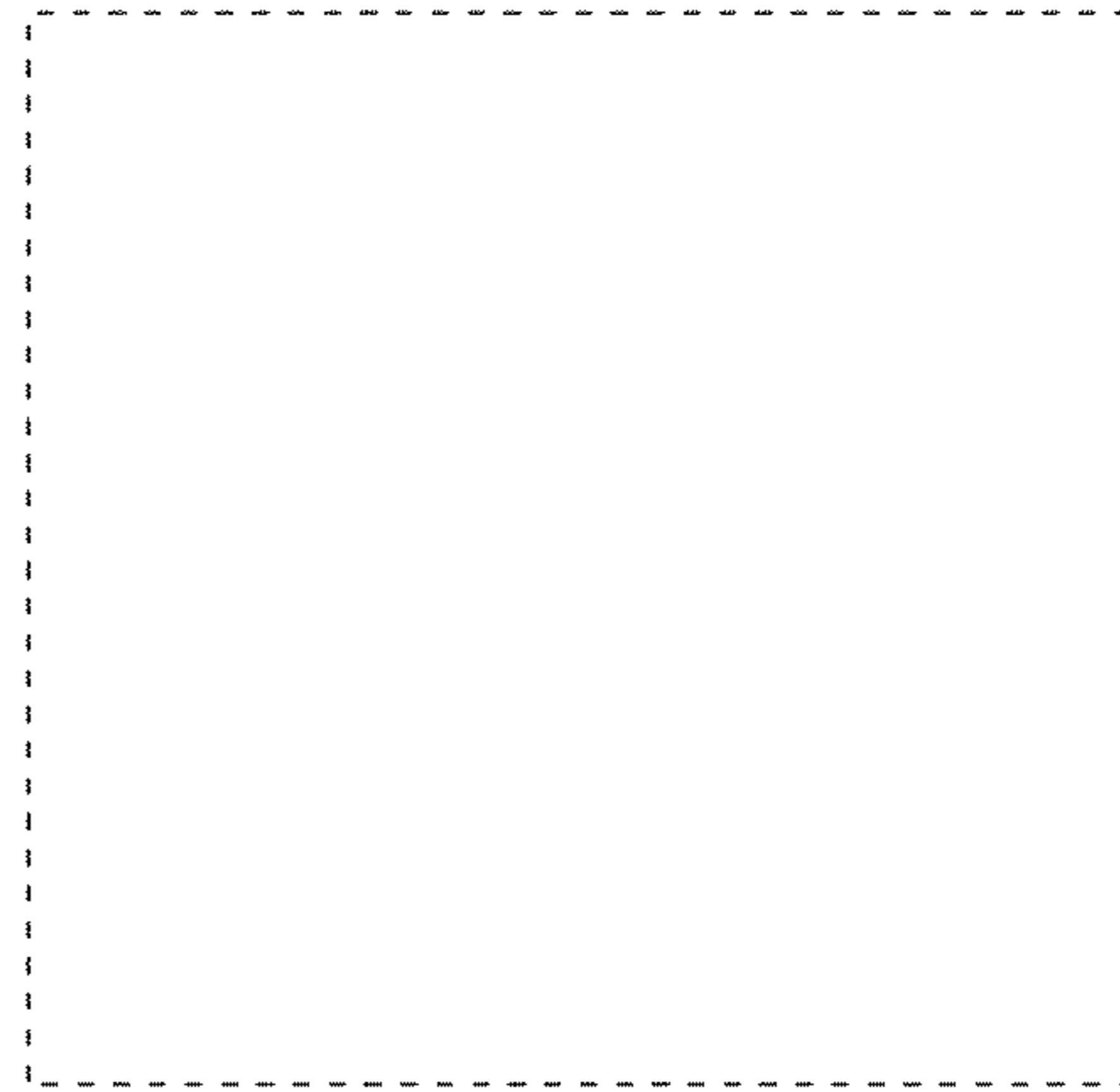


Fig. 5



Fig. 6



Fig. 7

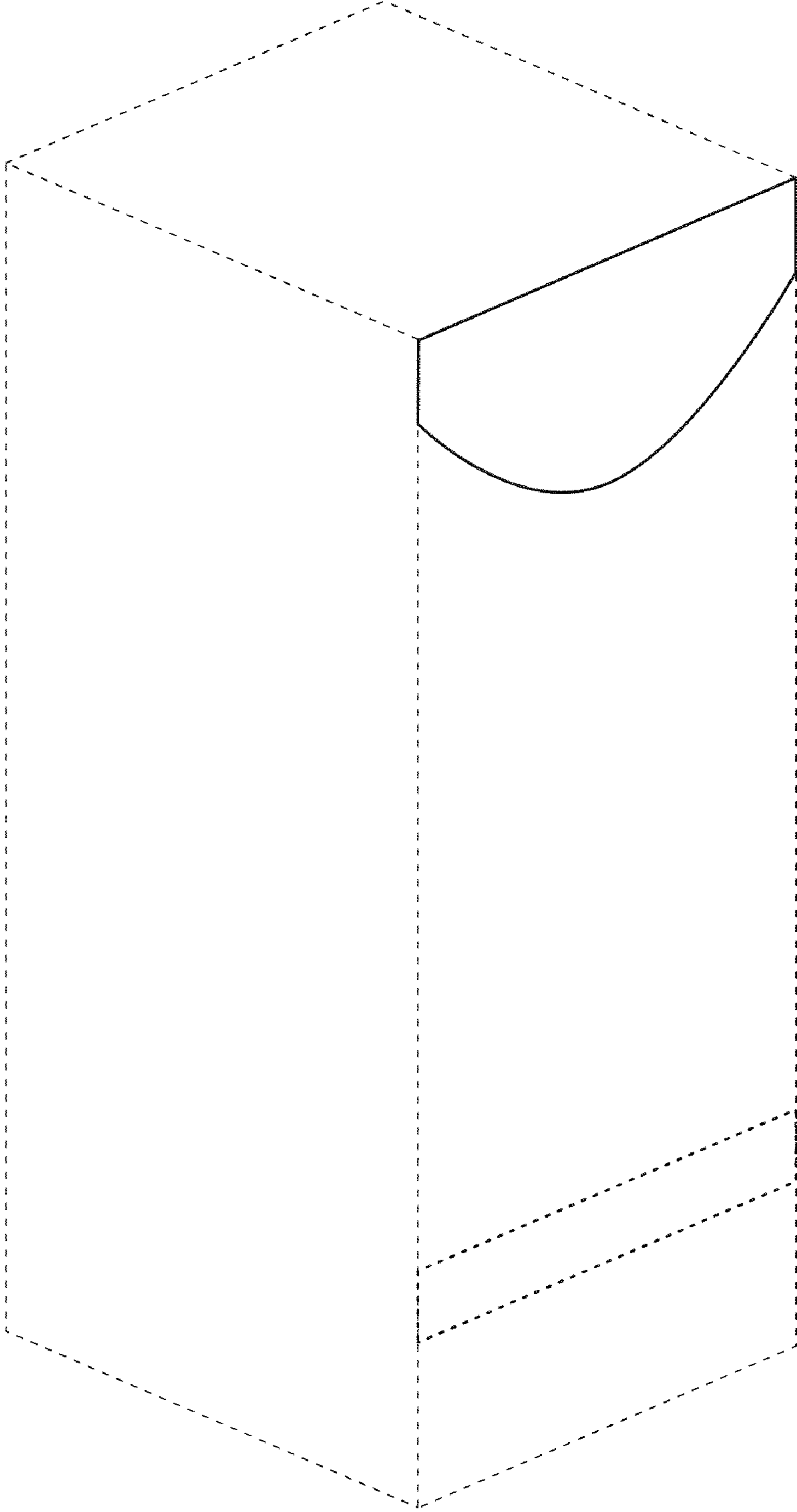


Fig. 8



Fig. 9

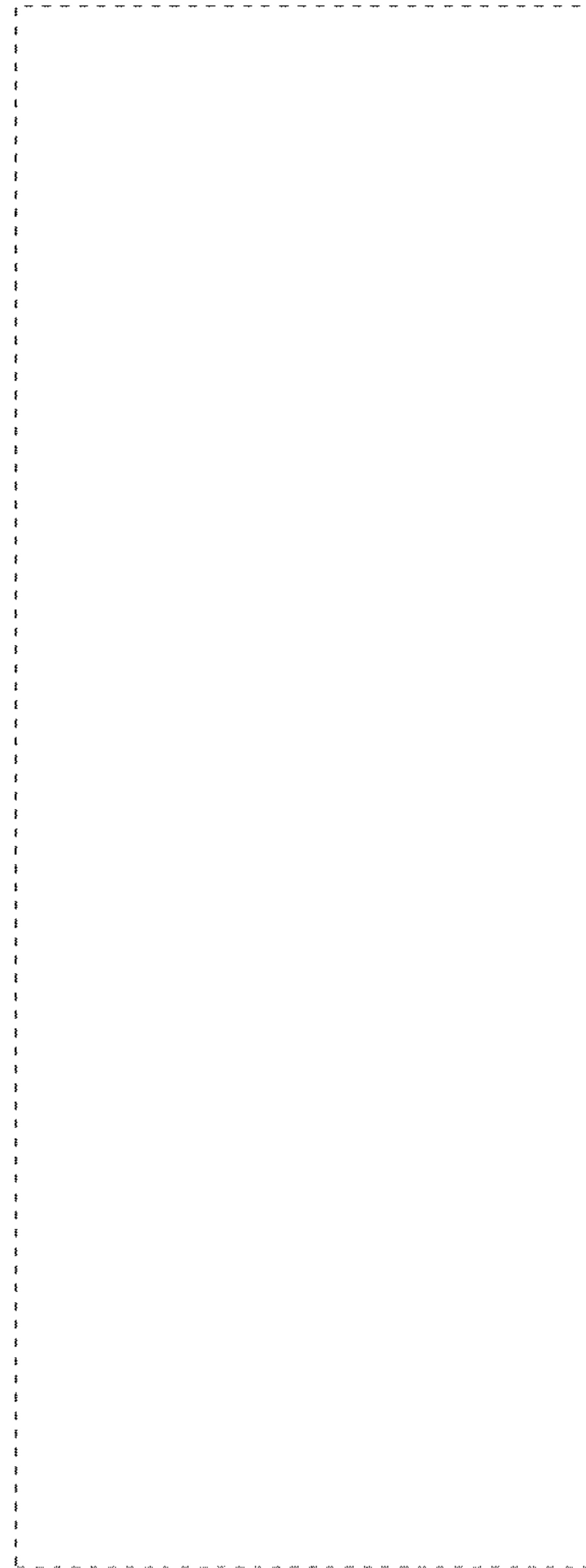


Fig. 10

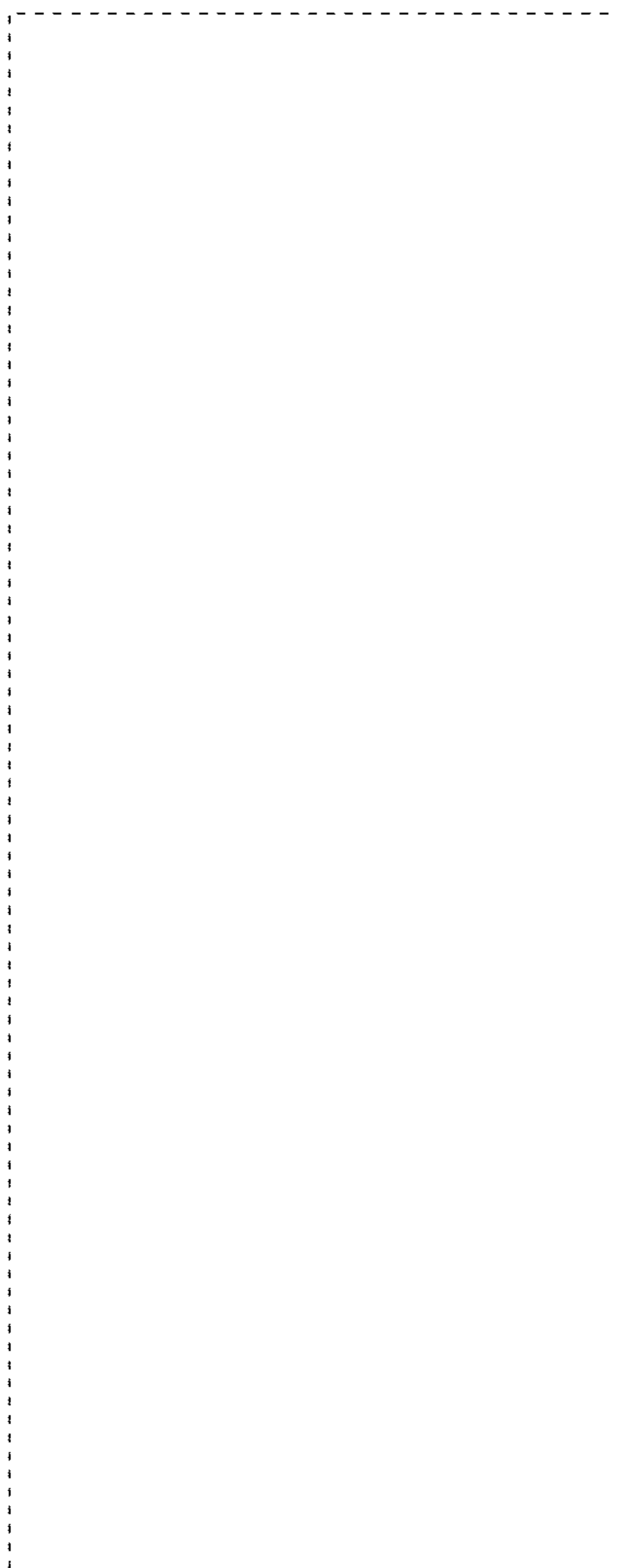


Fig. 11

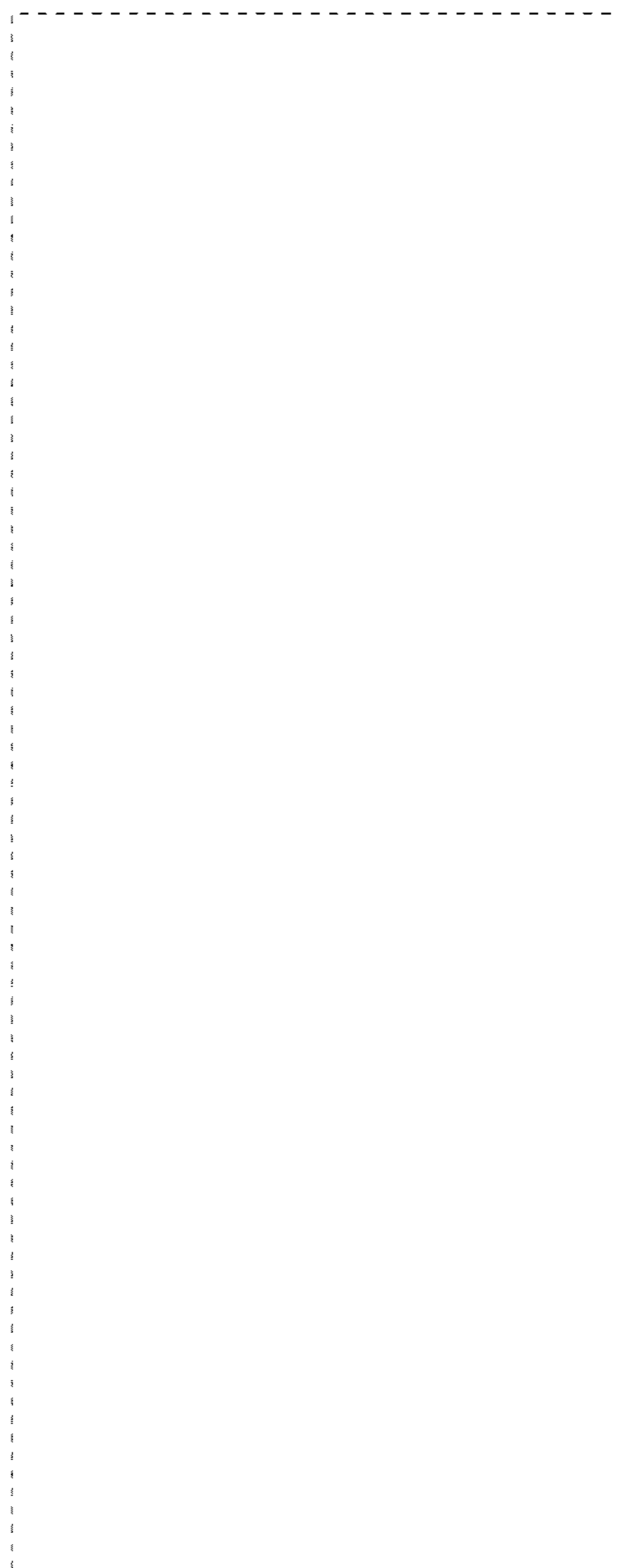


Fig. 12

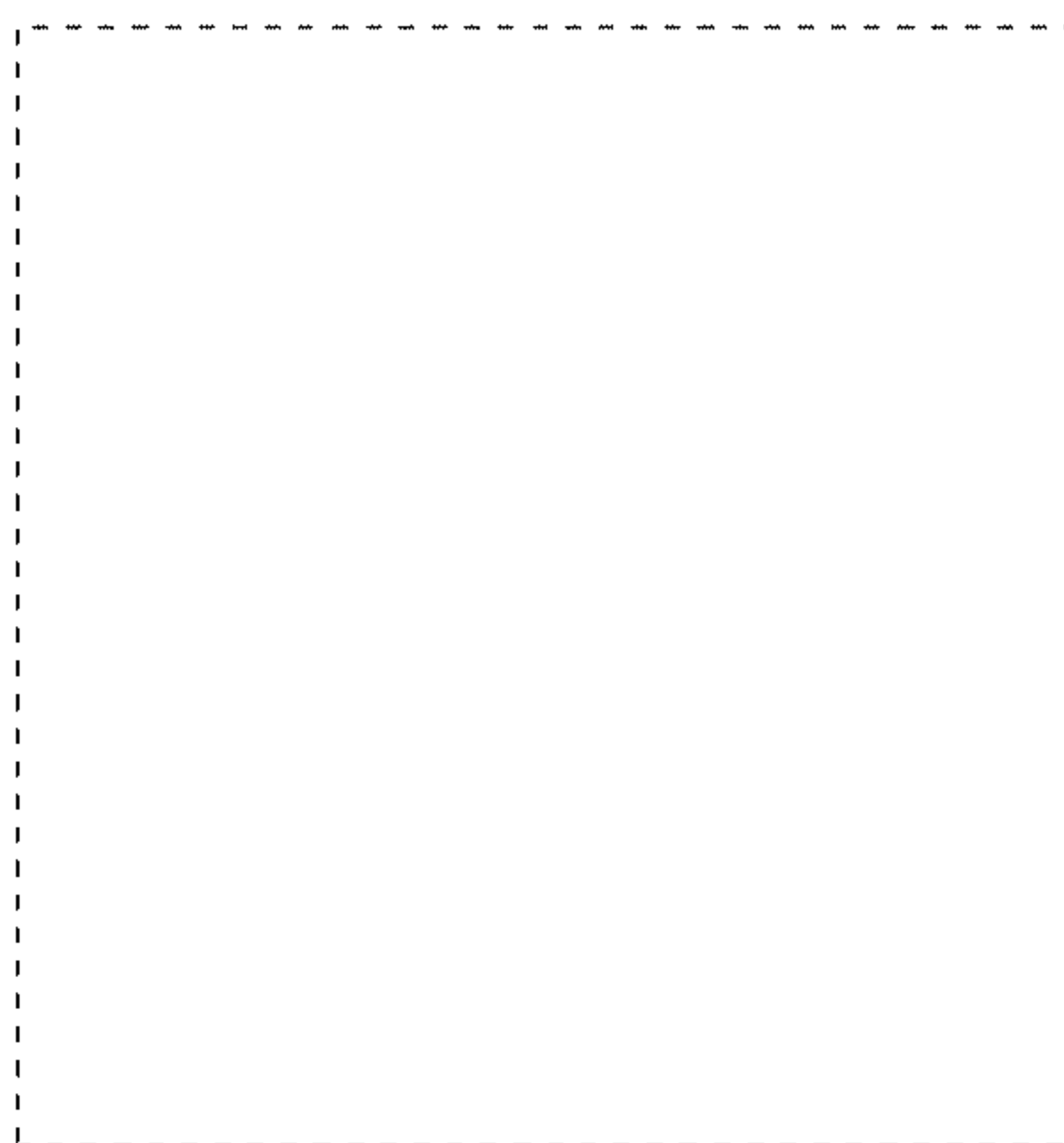


Fig. 13

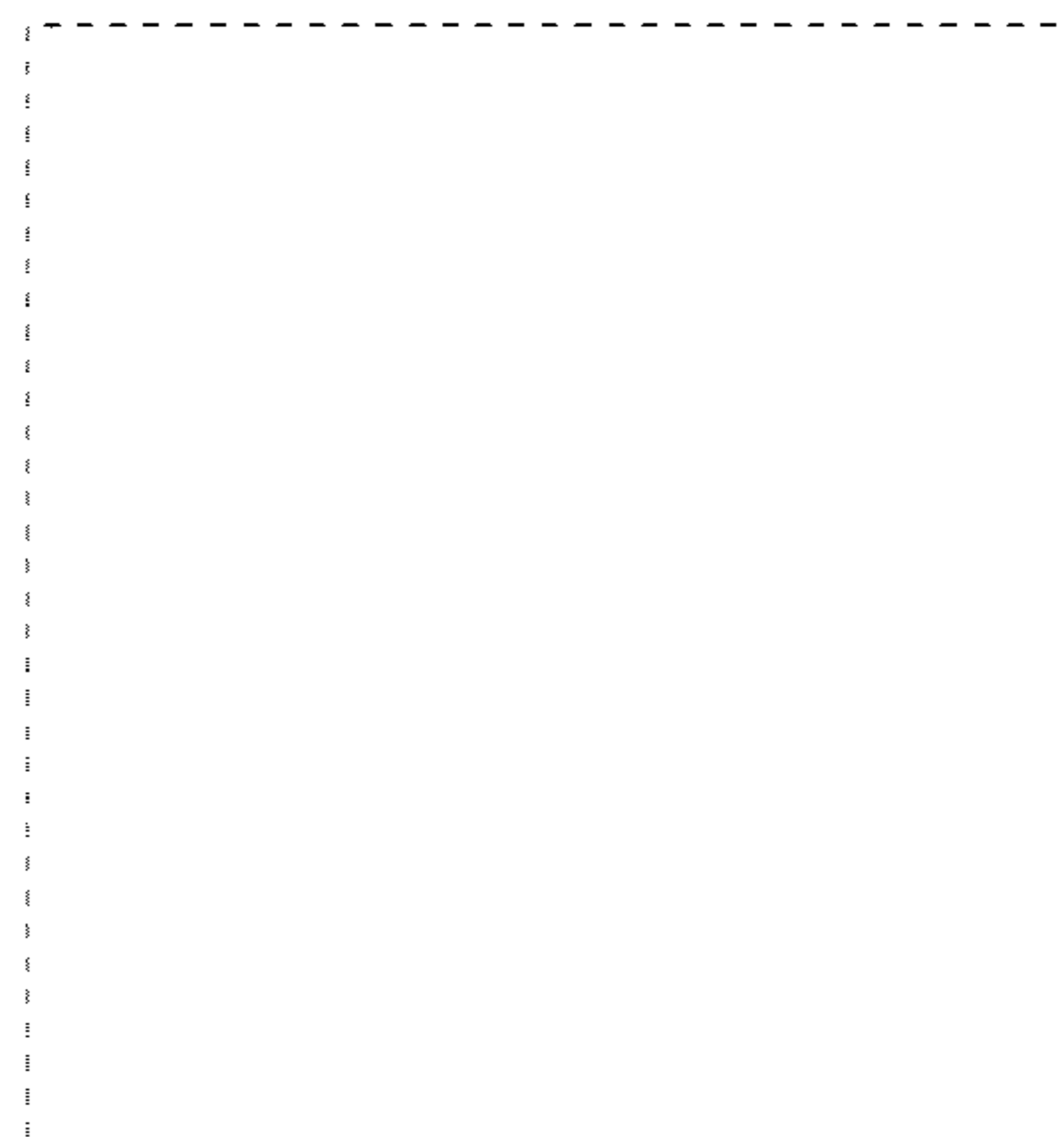


Fig. 14

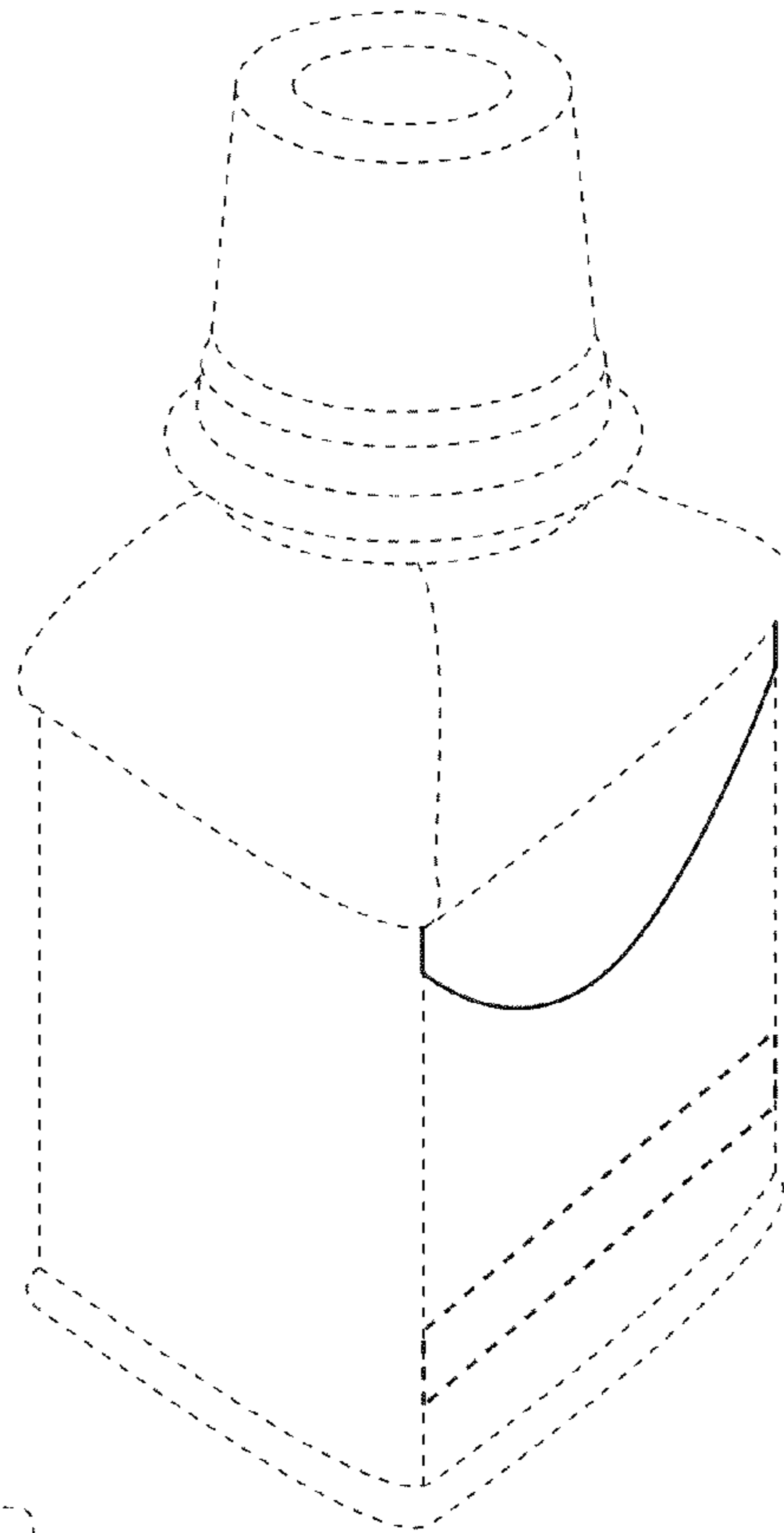


Fig. 15

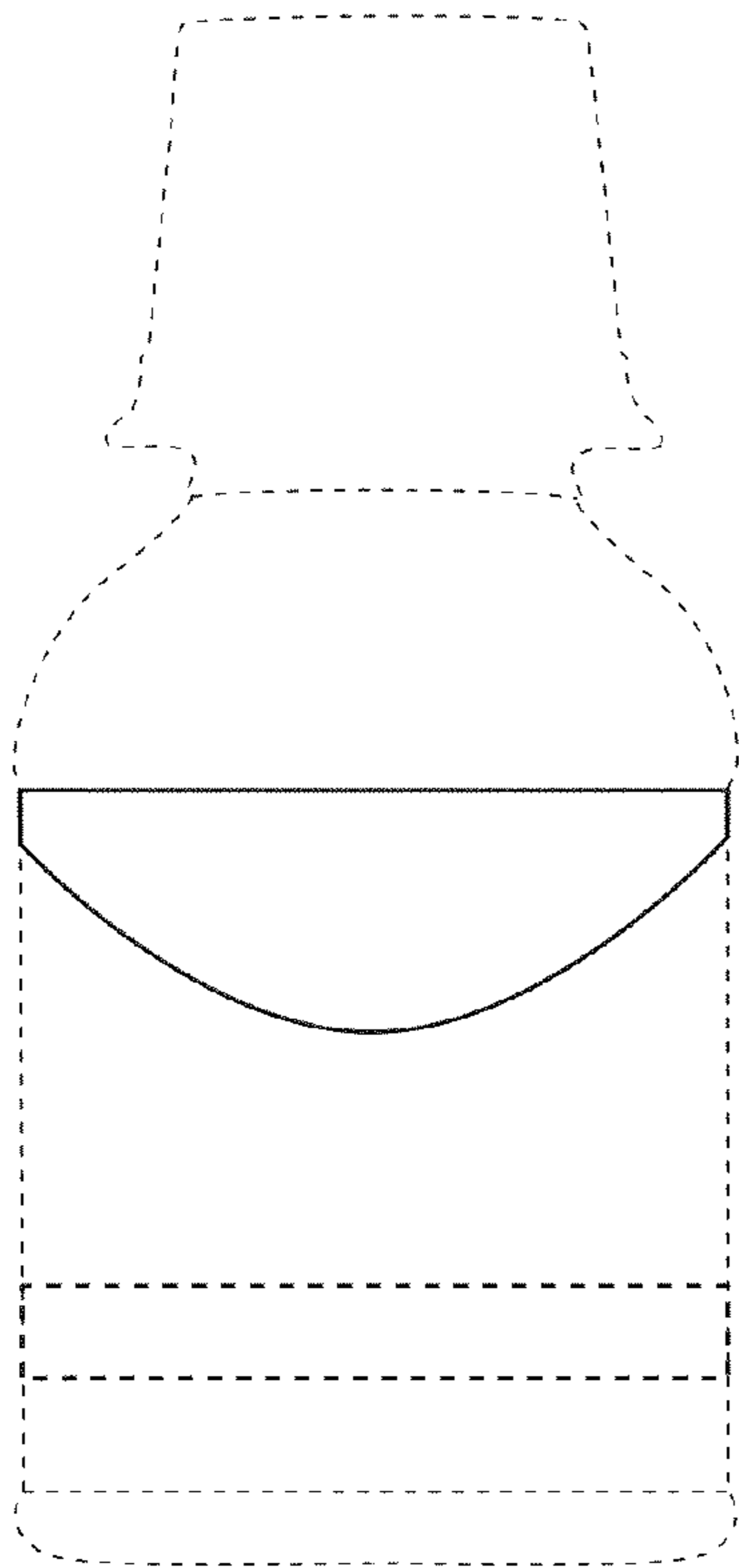


Fig. 16

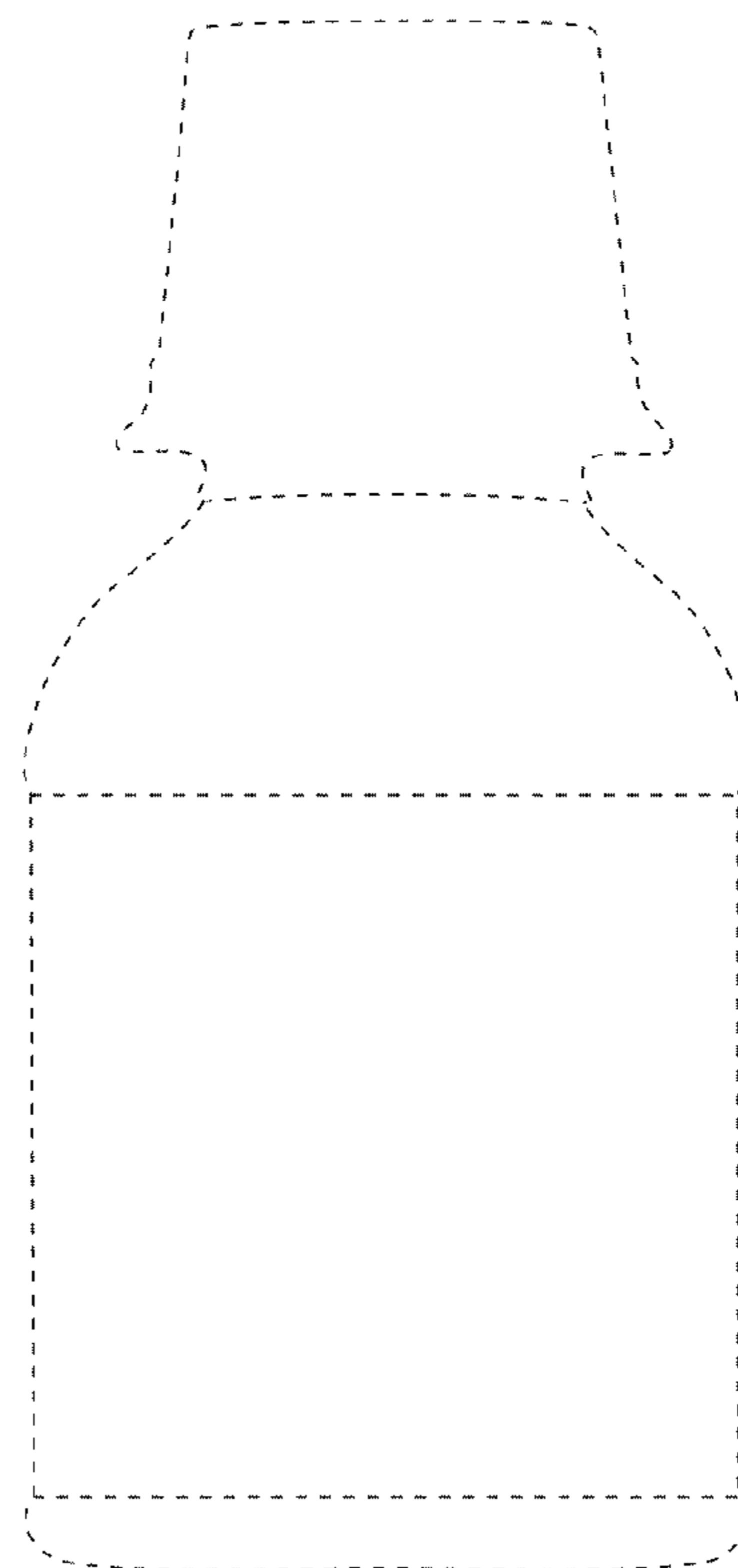


Fig. 17

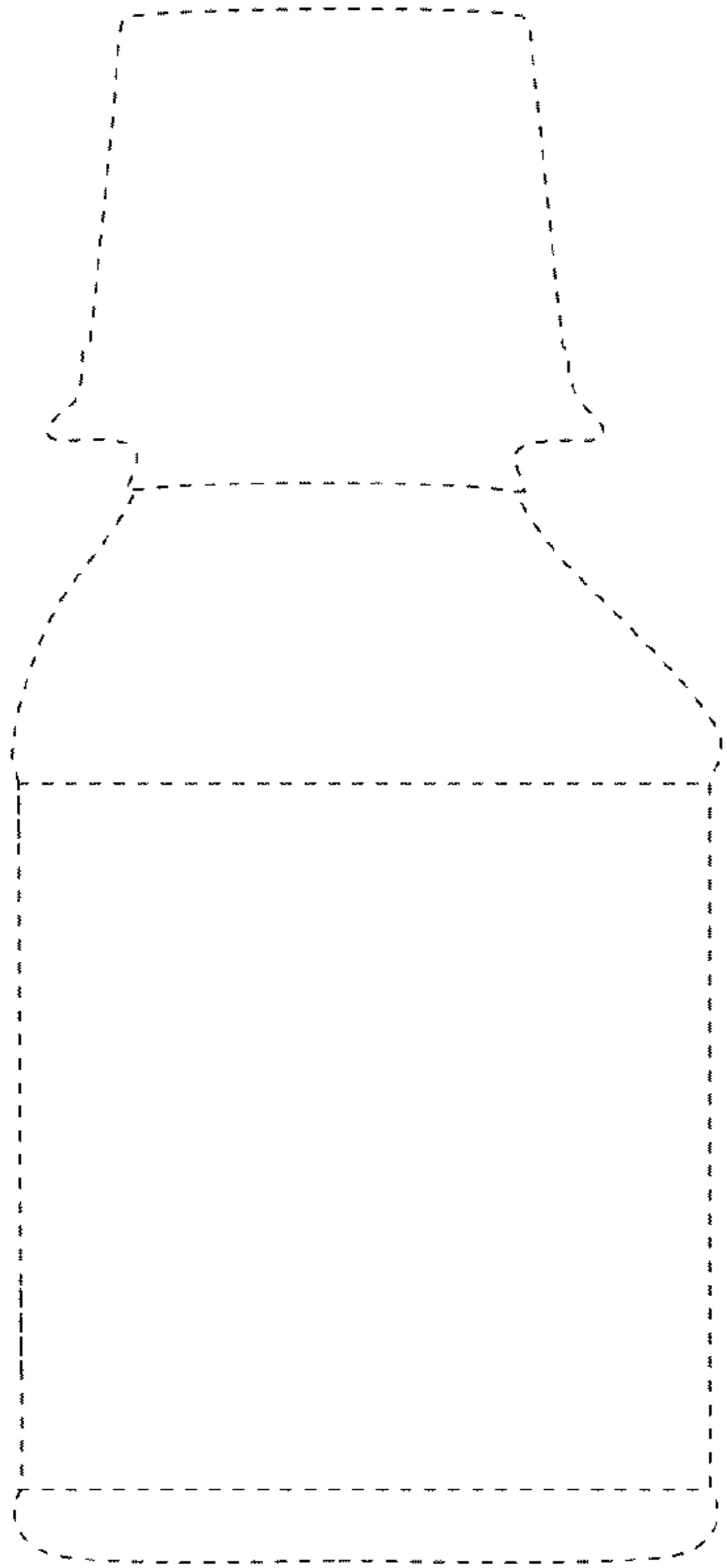


Fig. 18

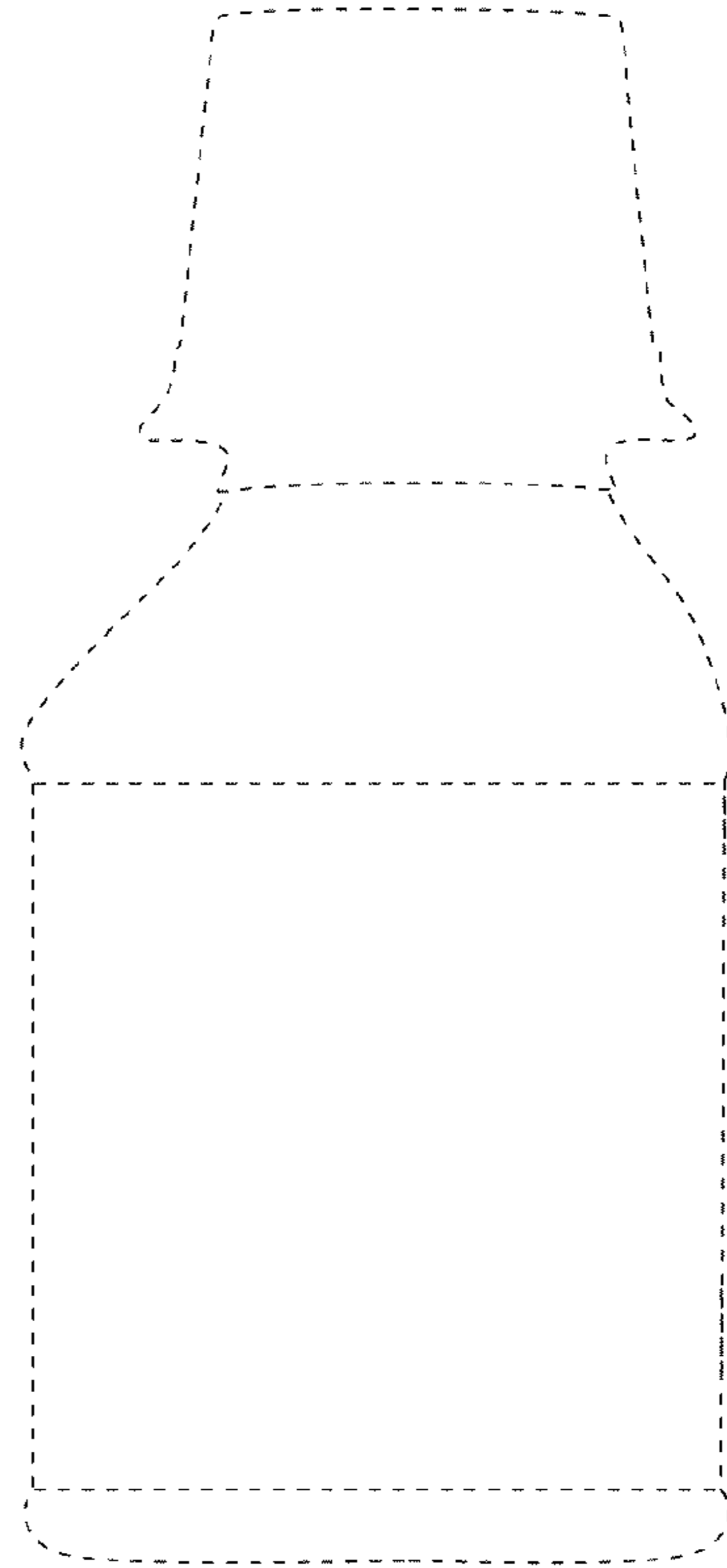


Fig. 19

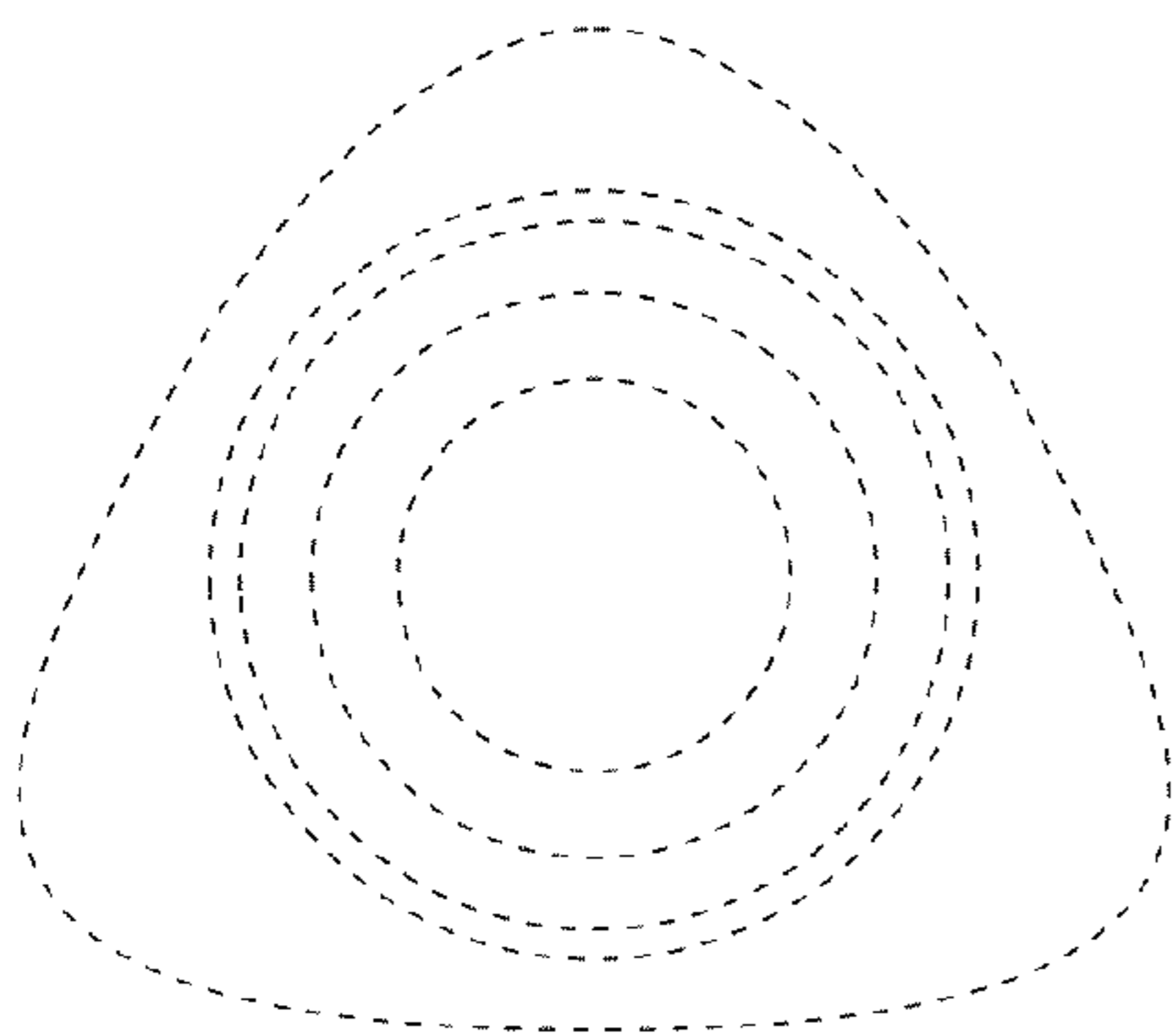


Fig. 20

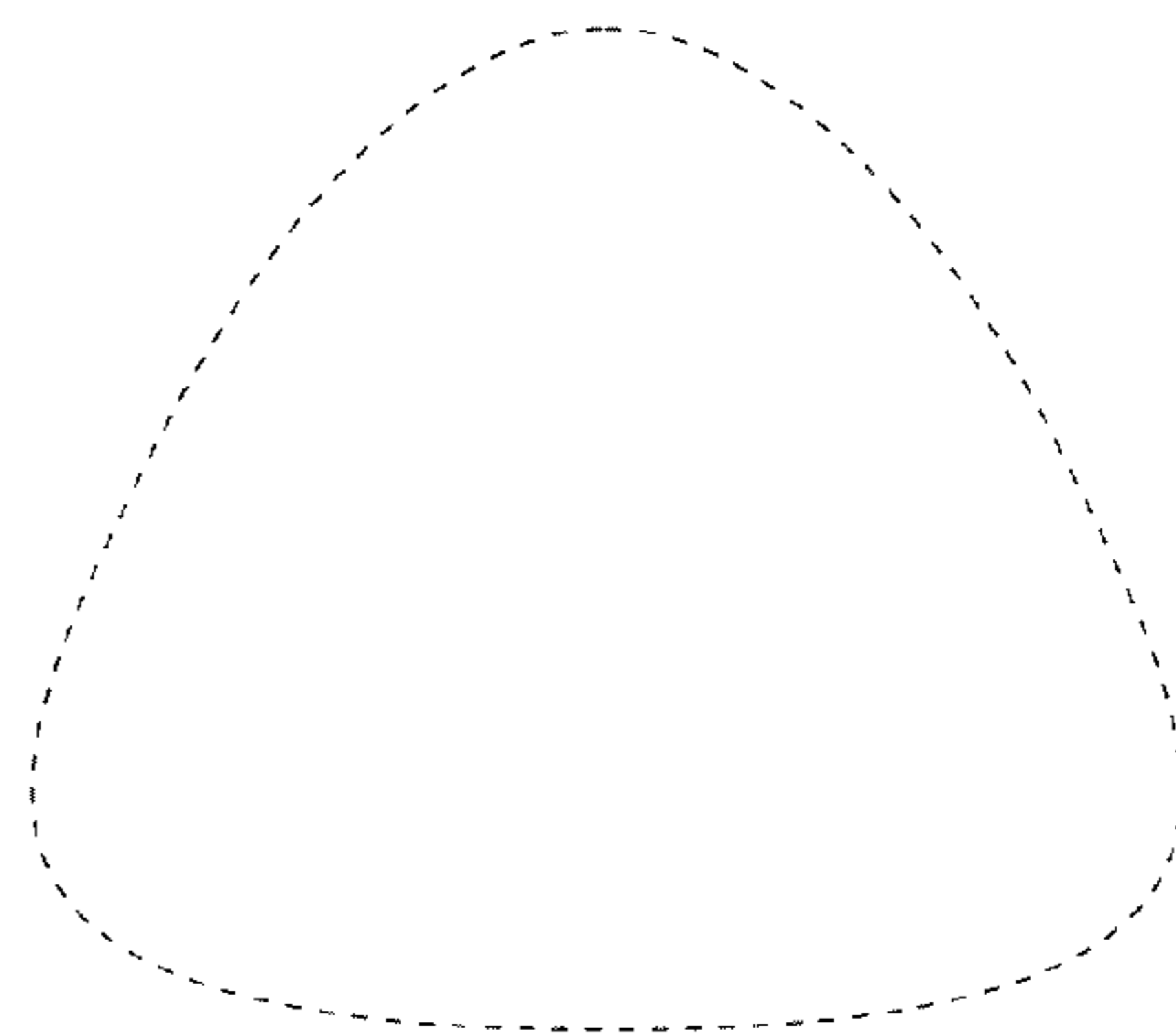


Fig. 21