



US00D655165S

(12) **United States Design Patent**  
**Jensen et al.**

(10) **Patent No.:** **US D655,165 S**  
(45) **Date of Patent:** **\*\* Mar. 6, 2012**

(54) **PACKAGING TRAY**

(76) Inventors: **Steven D. Jensen**, South Jordan, UT  
(US); **Jack Ronald Nichols**, American  
Fork, UT (US)

(\*\*) Term: **14 Years**

(21) Appl. No.: **29/396,528**

(22) Filed: **Jun. 30, 2011**

D223,145 S *	3/1972	Bloch	.....	D9/456
D226,775 S *	4/1973	Jones	.....	D7/359
D255,413 S *	6/1980	Alexander	.....	D7/409
4,387,804 A *	6/1983	Austin	.....	206/218
5,040,678 A *	8/1991	Lenmark et al.	.....	206/443
D424,941 S *	5/2000	Boutour	.....	D9/456
D507,451 S *	7/2005	Land	.....	D7/357
7,000,769 B2 *	2/2006	Killinger	.....	206/534
D518,330 S *	4/2006	Doran et al.	.....	D7/357
D523,751 S *	6/2006	Vetrano	.....	D9/456
D633,388 S *	3/2011	Andre et al.	.....	D9/456
2006/0086639 A1 *	4/2006	Priebe et al.	.....	206/528

\* cited by examiner

**Related U.S. Application Data**

(63) Continuation of application No. 12/885,729, filed on  
Sep. 20, 2010.

(51) **LOC (9) Cl.** ..... **09-07**

(52) **U.S. Cl.** ..... **D9/456**

(58) **Field of Classification Search** ..... D9/760-761,  
D9/759, 756, 456, 455, 434; D3/304, 295;  
428/131; 229/120; 220/4.21; 206/733, 528,  
206/486, 485, 427, 461, 828  
See application file for complete search history.

(56) **References Cited**

**U.S. PATENT DOCUMENTS**

1,979,902 A *	11/1934	Potter et al.	.....	211/153
D157,115 S *	1/1950	Zumpe	.....	D3/203.3
D202,529 S *	10/1965	Rosebrook	.....	D15/90
D219,645 S *	1/1971	Rabe	.....	D7/555

*Primary Examiner* — Susan Bennett Hattan

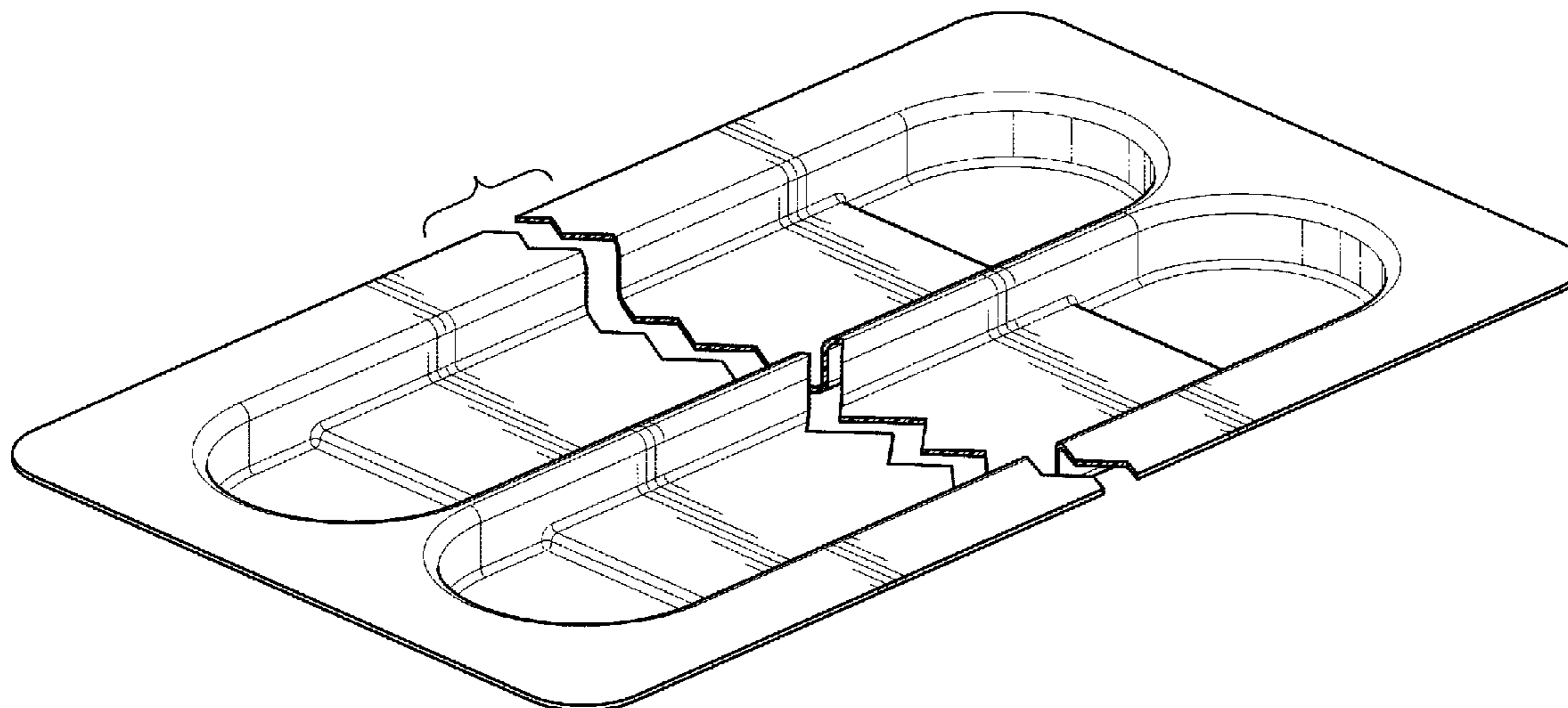
(57) **CLAIM**

The ornamental design for a packaging tray, as shown and  
described.

**DESCRIPTION**

FIG. 1 is a perspective view of a packaging tray;  
FIG. 2 is a rear elevation view thereof;  
FIG. 3 is a left elevation view thereof;  
FIG. 4 is a top plan view thereof;  
FIG. 5 is a right elevation view thereof;  
FIG. 6 is a front elevation view thereof; and,  
FIG. 7 is a bottom plan view thereof.

**1 Claim, 3 Drawing Sheets**



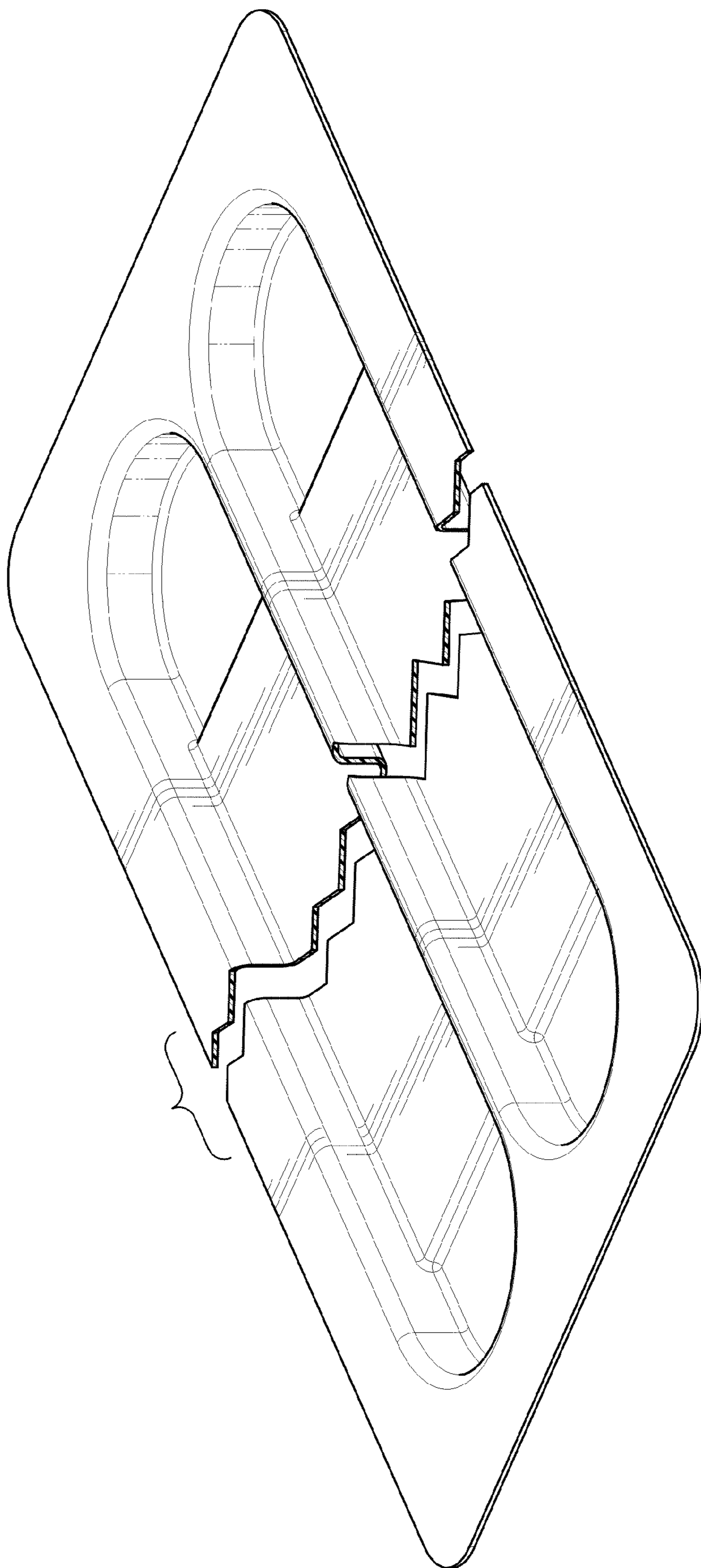


Fig. 1

