



US00D655164S

(12) **United States Design Patent**
Gotsmich

(10) **Patent No.:** **US D655,164 S**
(45) **Date of Patent:** **** Mar. 6, 2012**

(54) **CLOSURE**

(75) Inventor: **Daniel Gotsmich**, Hinterschmiding (DE)

(73) Assignee: **Seaquist Closures Loffler GmbH**,
Freyung (DE)

(**) Term: **14 Years**

(21) Appl. No.: **29/370,392**

(22) Filed: **Jul. 9, 2010**

(30) **Foreign Application Priority Data**

Jan. 11, 2010 (EM) 001 655 622

(51) **LOC (9) Cl.** **09-07**

(52) **U.S. Cl.** **D9/450; D9/449**

(58) **Field of Classification Search** D9/499,
D9/455, 450, 449, 447, 443, 440, 436; D8/373;
D7/590, 512, 396.2, 392.1; D4/116, 114;
D10/74, 72; 248/113; 222/536, 521, 480;
220/254.3; 215/228

See application file for complete search history.

(56) **References Cited**

U.S. PATENT DOCUMENTS

4,204,615 A * 5/1980 McCarthy 222/153.14
5,743,444 A * 4/1998 Beck et al. 222/521
D424,442 S * 5/2000 Kreiseder D9/449
D440,495 S * 4/2001 Hathaway D9/452
D464,263 S * 10/2002 White et al. D9/447
D580,264 S * 11/2008 Szasz D9/447
D610,456 S * 2/2010 Rognard D9/452

FOREIGN PATENT DOCUMENTS

EM 000397765-0001 11/2005
EM 000573050-0001 9/2006
EM 00573076-0004 9/2006
EM 000845896-0002 1/2008
EM 001037204-0001 11/2008

* cited by examiner

Primary Examiner — Susan Bennett Hattan

(74) *Attorney, Agent, or Firm* — Wood, Phillips, Katz, Clark
& Mortimer

(57) **CLAIM**

The ornamental design for a closure, as shown and described.

DESCRIPTION

FIG. 1 is an upper, front isometric view of a closure in the closed condition, and the closure is adapted to be mounted in the closed condition on a bottle or other container (not illustrated) for initial purchase by a consumer;

FIG. 2 is a top plan view thereof;

FIG. 3 is a front elevational view thereof, the rear elevational view thereof being a mirror image;

FIG. 4 is a right side elevational view thereof, the left side elevation view thereof being a mirror image;

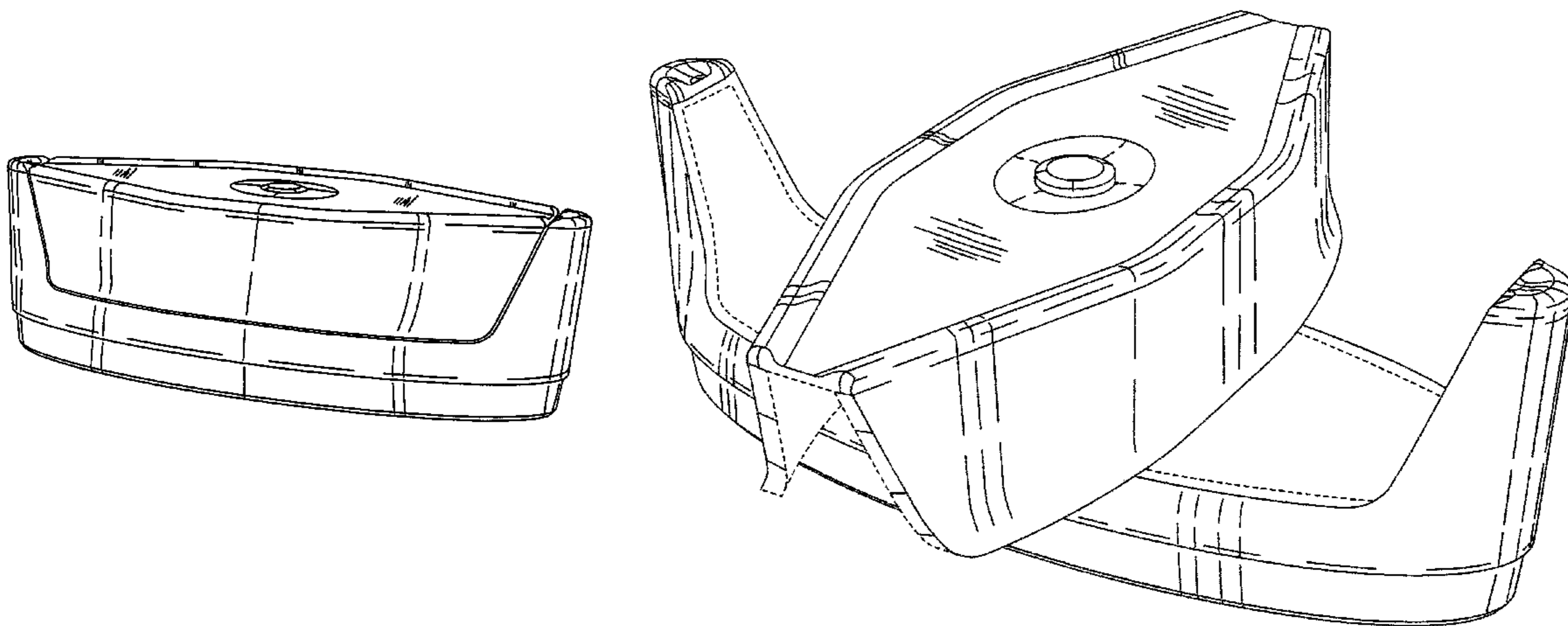
FIG. 5 is an upper, front isometric view thereof with the closure in the opened condition;

FIG. 6 is a top plan view thereof with the closure in the opened condition; and,

FIG. 7 is a front elevational view thereof with the closure in the opened condition, the rear elevational view thereof being a mirror image.

The broken lines in the drawings define boundaries of the claimed design and form no part of the claimed design.

1 Claim, 7 Drawing Sheets



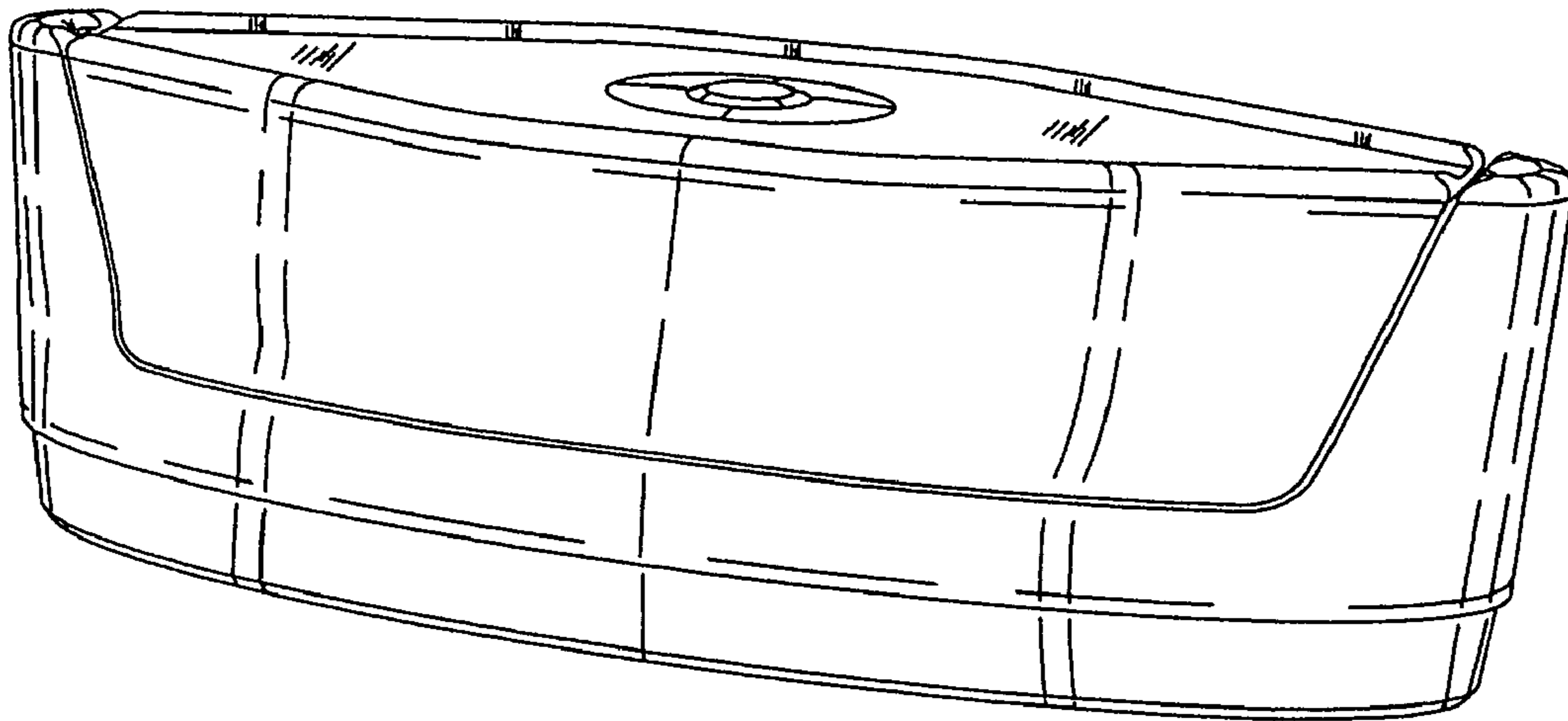


Fig. 1

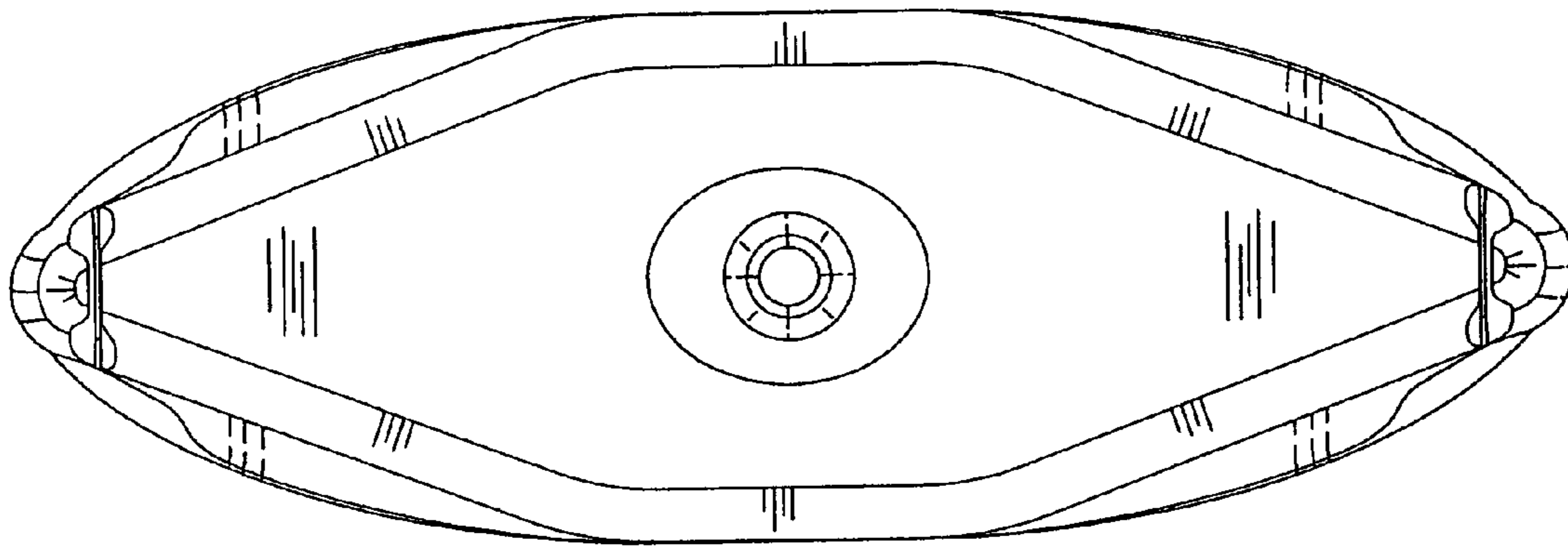


Fig. 2

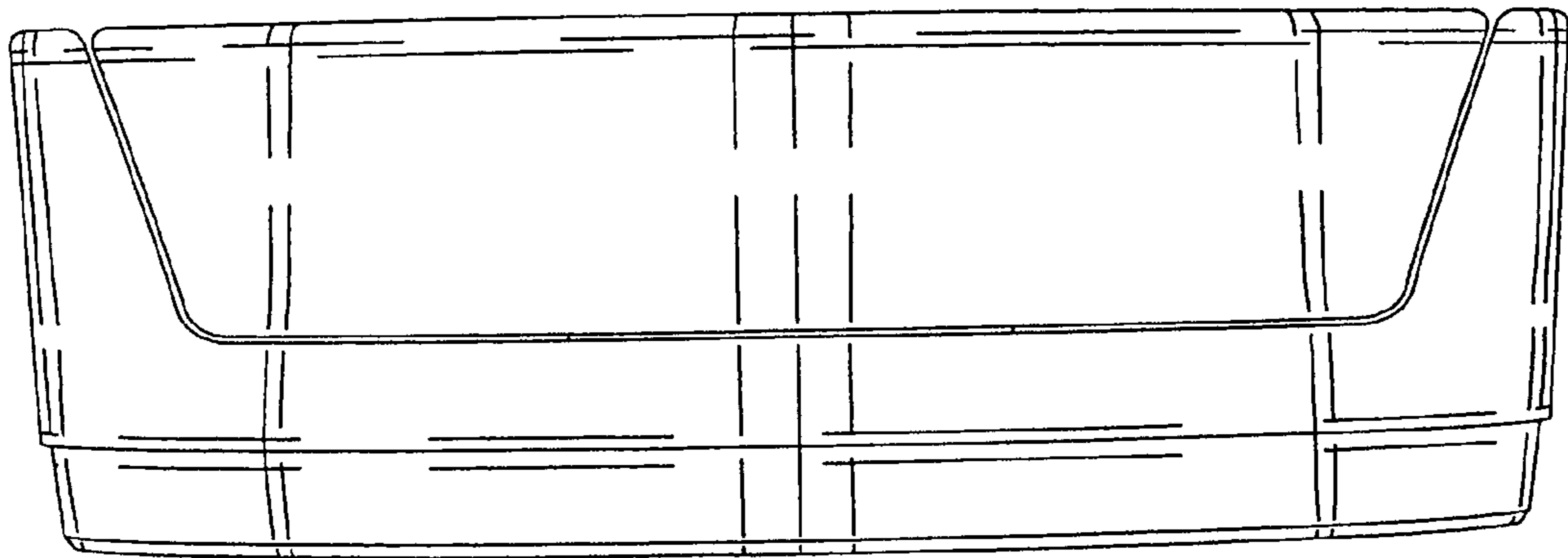


Fig. 3

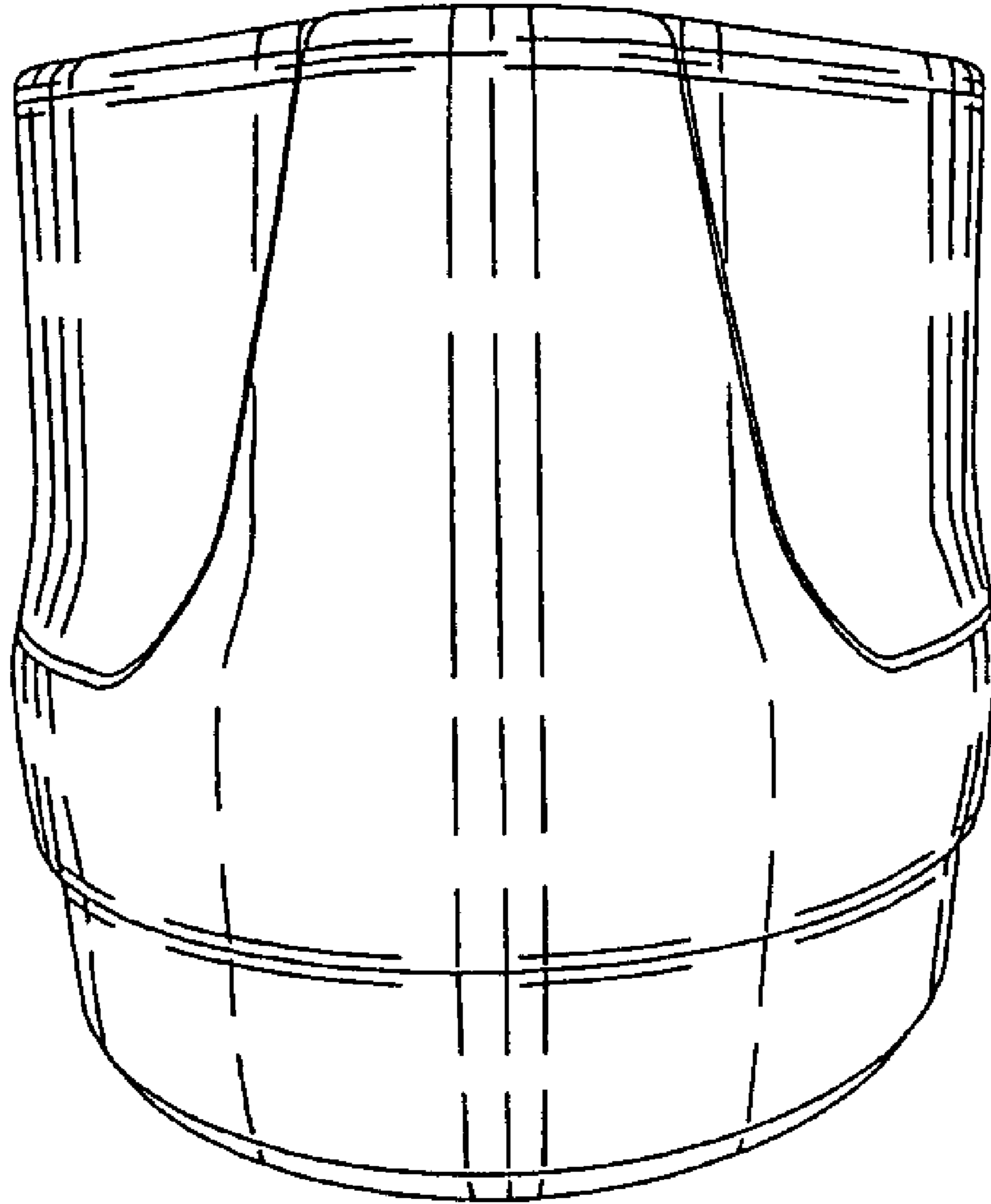


Fig. 4

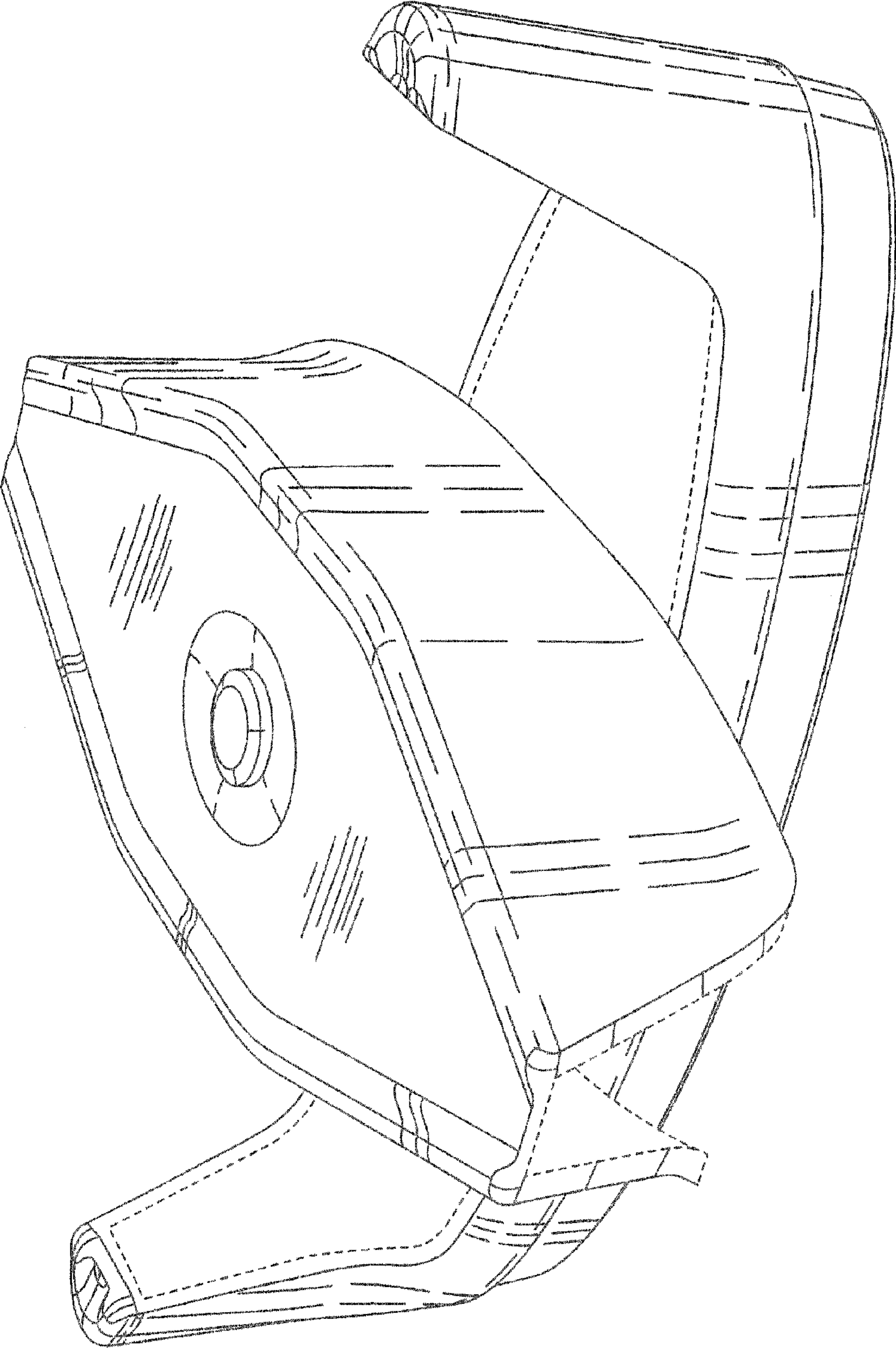


FIG. 5

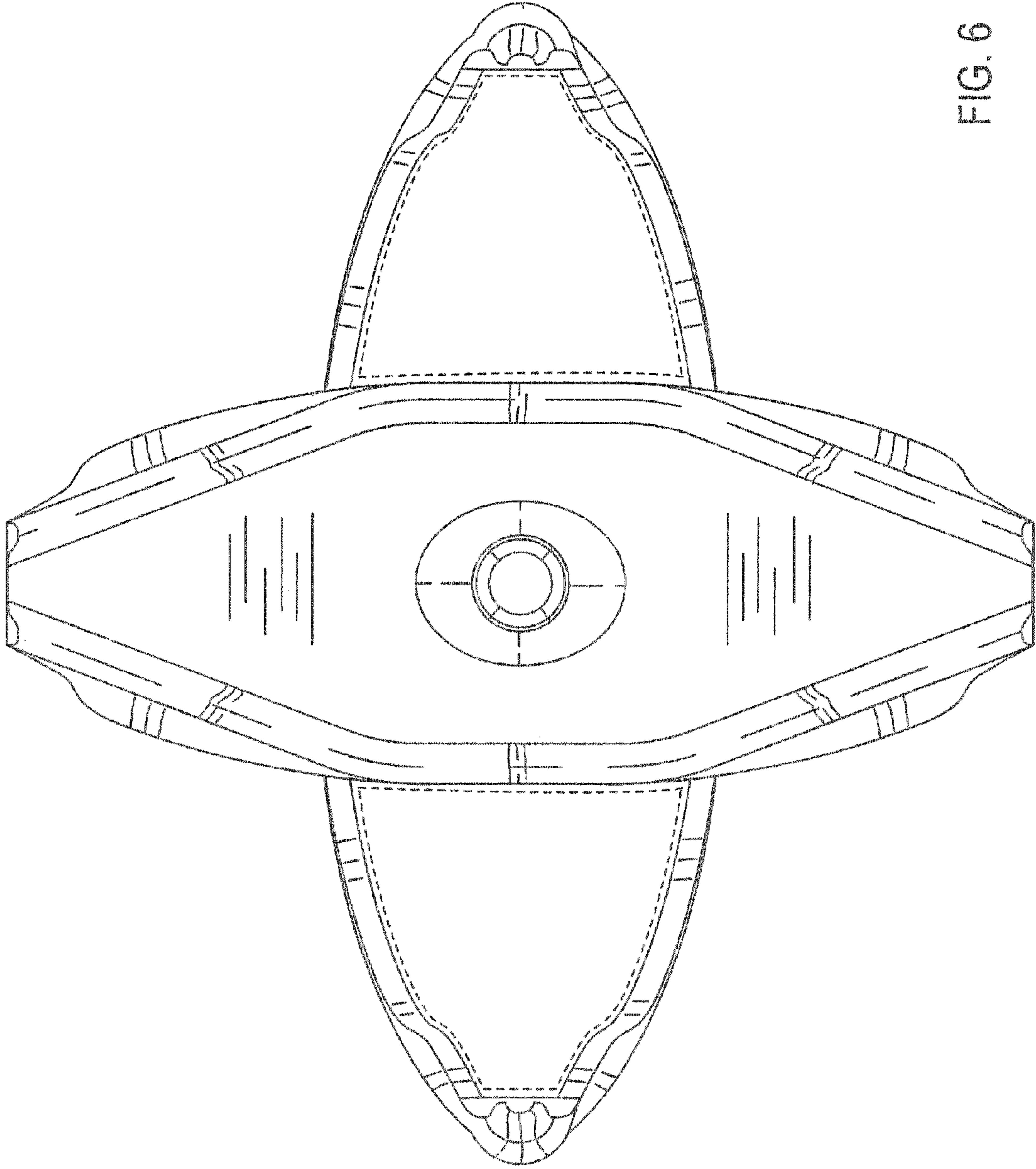


FIG. 6

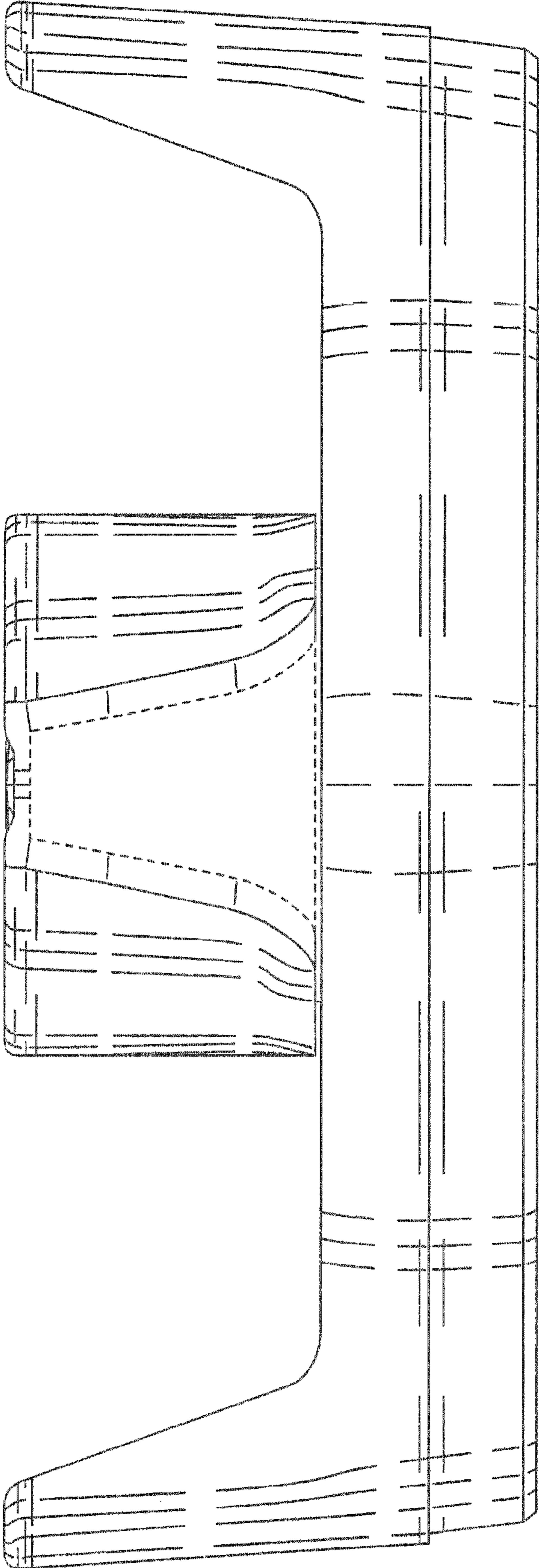


FIG. 7