



US00D655163S

(12) **United States Design Patent**
Keny et al.

(10) **Patent No.:** **US D655,163 S**

(45) **Date of Patent:** **** Mar. 6, 2012**

(54) **SPRAY BOTTLE HEAD**

(75) Inventors: **Sean M. Keny**, Greensboro, NC (US);
Richard Joseph Mannoia, Patchogue,
NY (US)

(73) Assignee: **Horizon Tool Inc.**, Greensboro, NC
(US)

(**) Term: **14 Years**

(21) Appl. No.: **29/394,218**

(22) Filed: **Jun. 14, 2011**

(51) **LOC (9) Cl.** **09-07**

(52) **U.S. Cl.** **D9/448**

(58) **Field of Classification Search** D9/685,
D9/682, 456, 448, 447, 435, 434, 415; D23/227,
D23/226, 213; 222/556-557, 402.13, 383.1,
222/281, 251, 182

See application file for complete search history.

(56) **References Cited**

U.S. PATENT DOCUMENTS

- D358,763 S * 5/1995 Weatherford et al. D9/415
- D409,917 S * 5/1999 Wadsworth et al. D9/448
- D409,918 S * 5/1999 Wadsworth et al. D9/448

- D446,713 S * 8/2001 Adam D9/415
- D472,462 S * 4/2003 Atkin et al. D9/415
- D579,330 S * 10/2008 Sweeton et al. D9/448
- D588,455 S * 3/2009 Sweeton et al. D9/448
- 2005/0082311 A1* 4/2005 Good et al. 222/1

* cited by examiner

Primary Examiner — Susan Bennett Hattan

(74) *Attorney, Agent, or Firm* — Howard & Howard
Attorneys PLLC

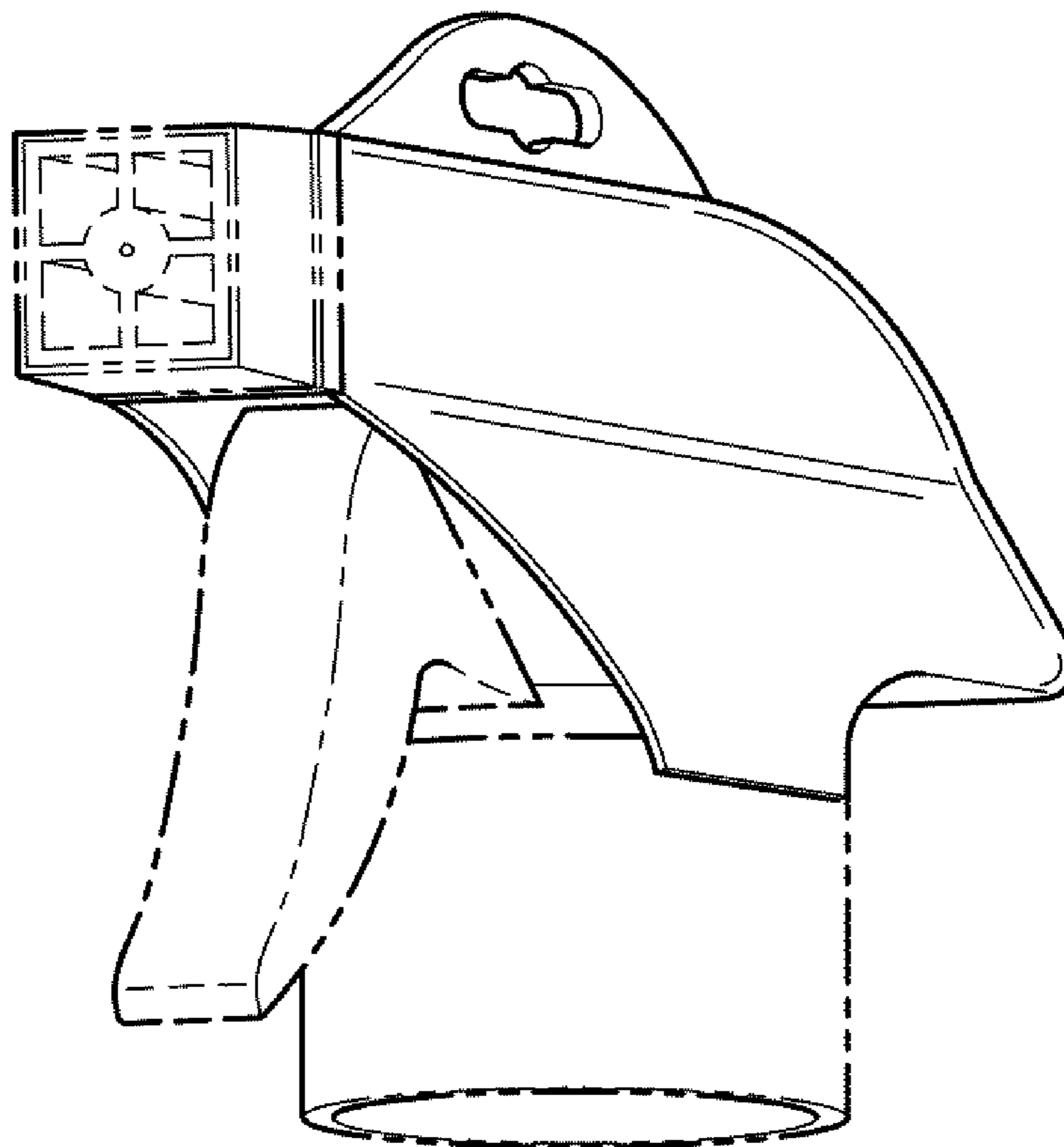
(57) **CLAIM**

We claim the ornamental design for spray bottle head, as
shown and described herein.

DESCRIPTION

FIG. 1 is a perspective view of the spray bottle head;
FIG. 2 is a left view of the spray bottle head;
FIG. 3 is a top side view of the spray bottle head;
FIG. 4 is a right side view of the spray bottle head;
FIG. 5 is a bottom view of the spray bottle head;
FIG. 6 is a front view of the spray bottle head;
FIG. 7 is a back view of the spray bottle head; and,
FIG. 8 is a second perspective view of the spray bottle head.
The broken lines shown in the figures are for illustrative
purposes only and form no part of the claimed design.

1 Claim, 2 Drawing Sheets



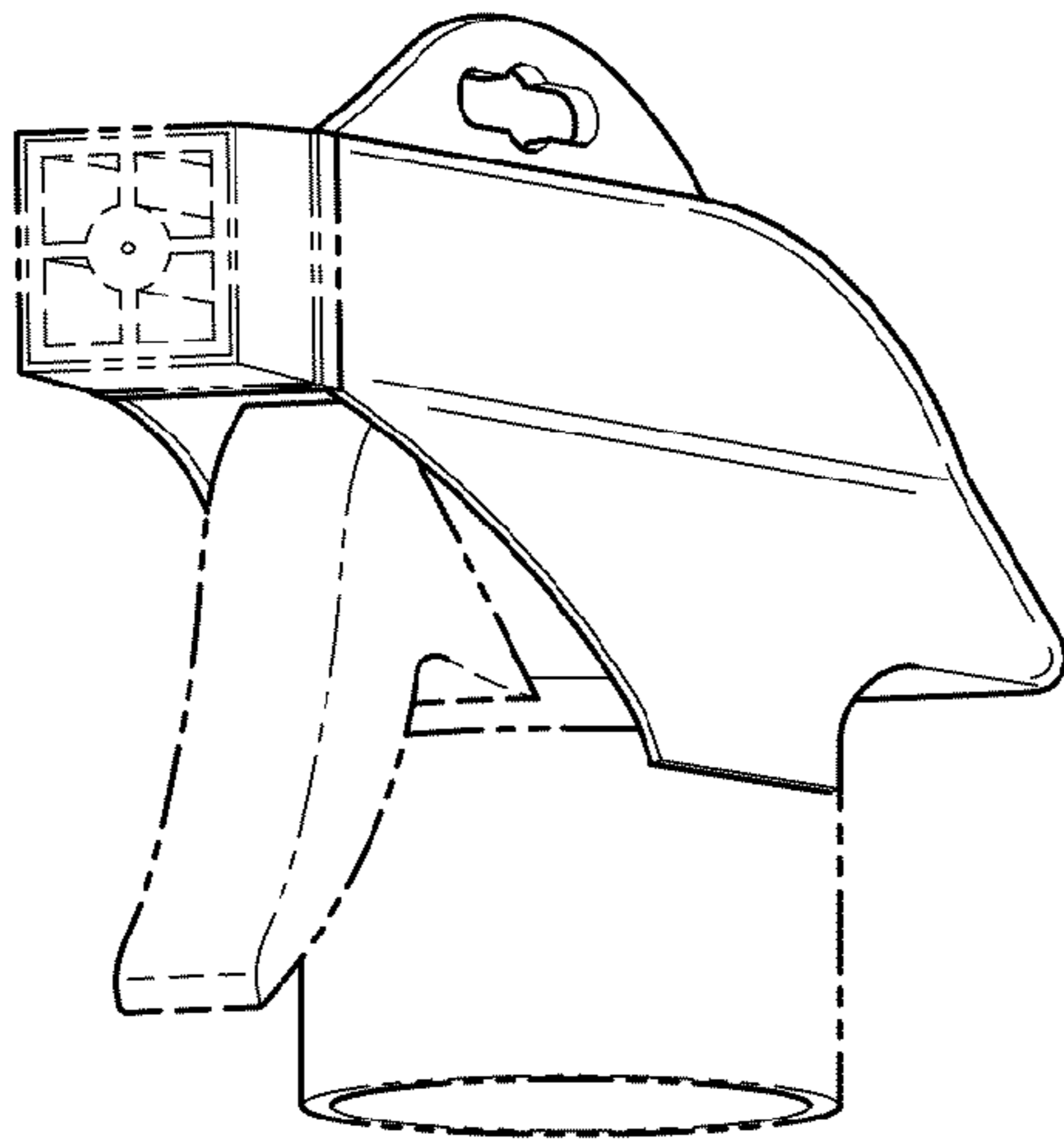


FIG. 1

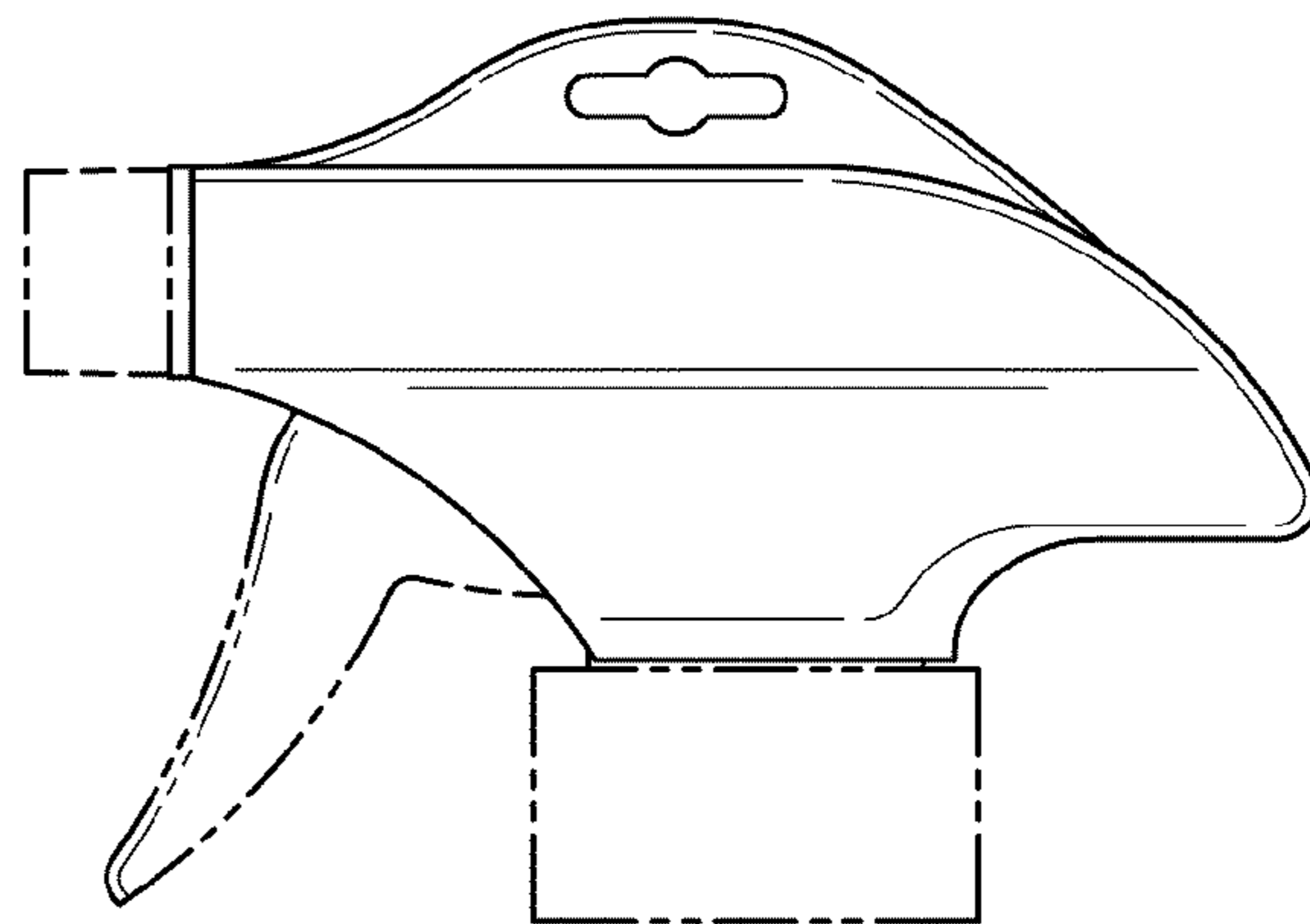


FIG. 2

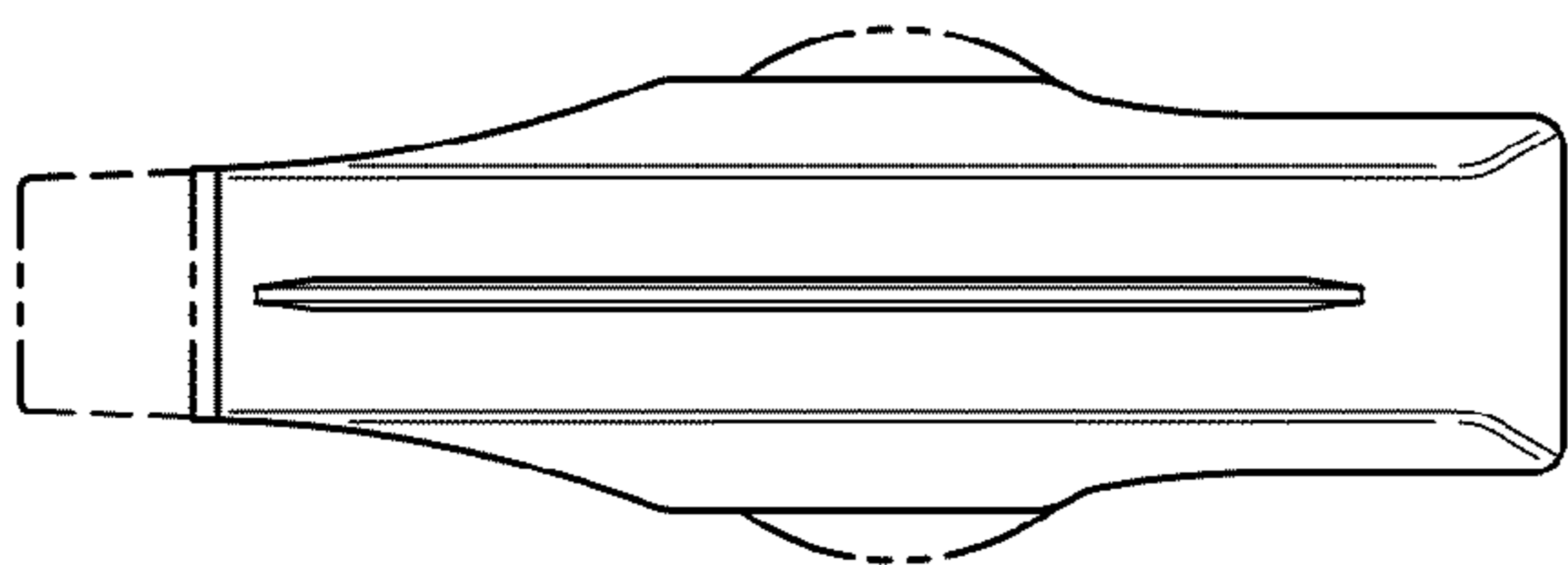


FIG. 3

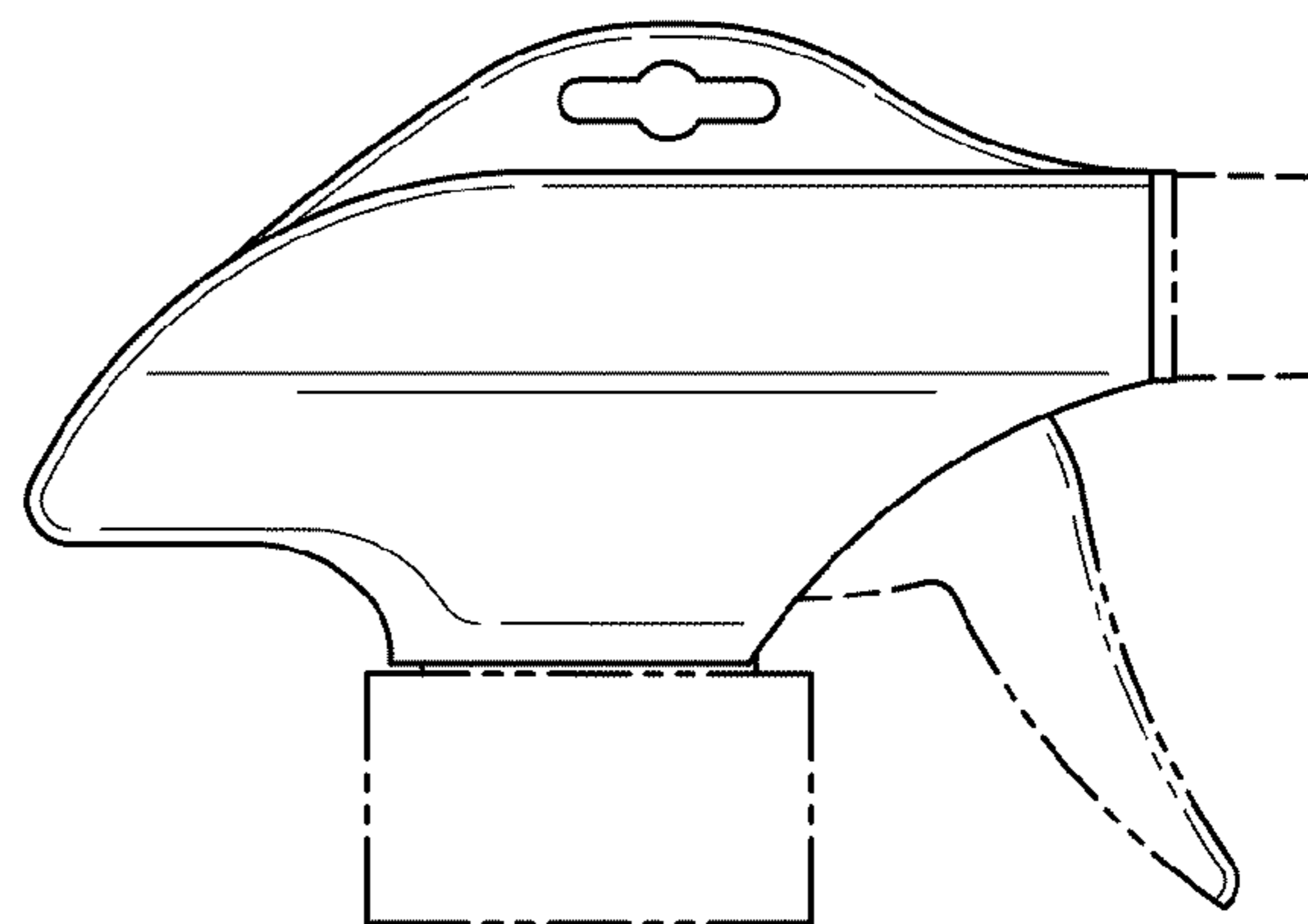


FIG. 4

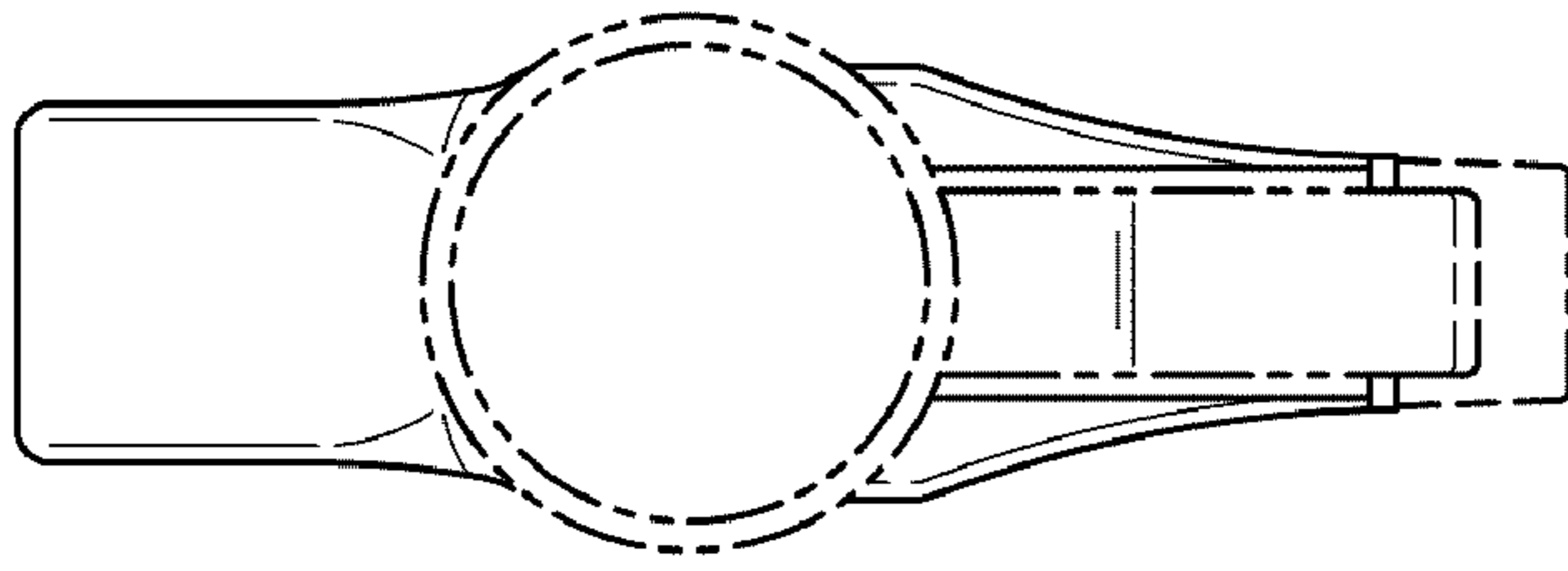


FIG. 5

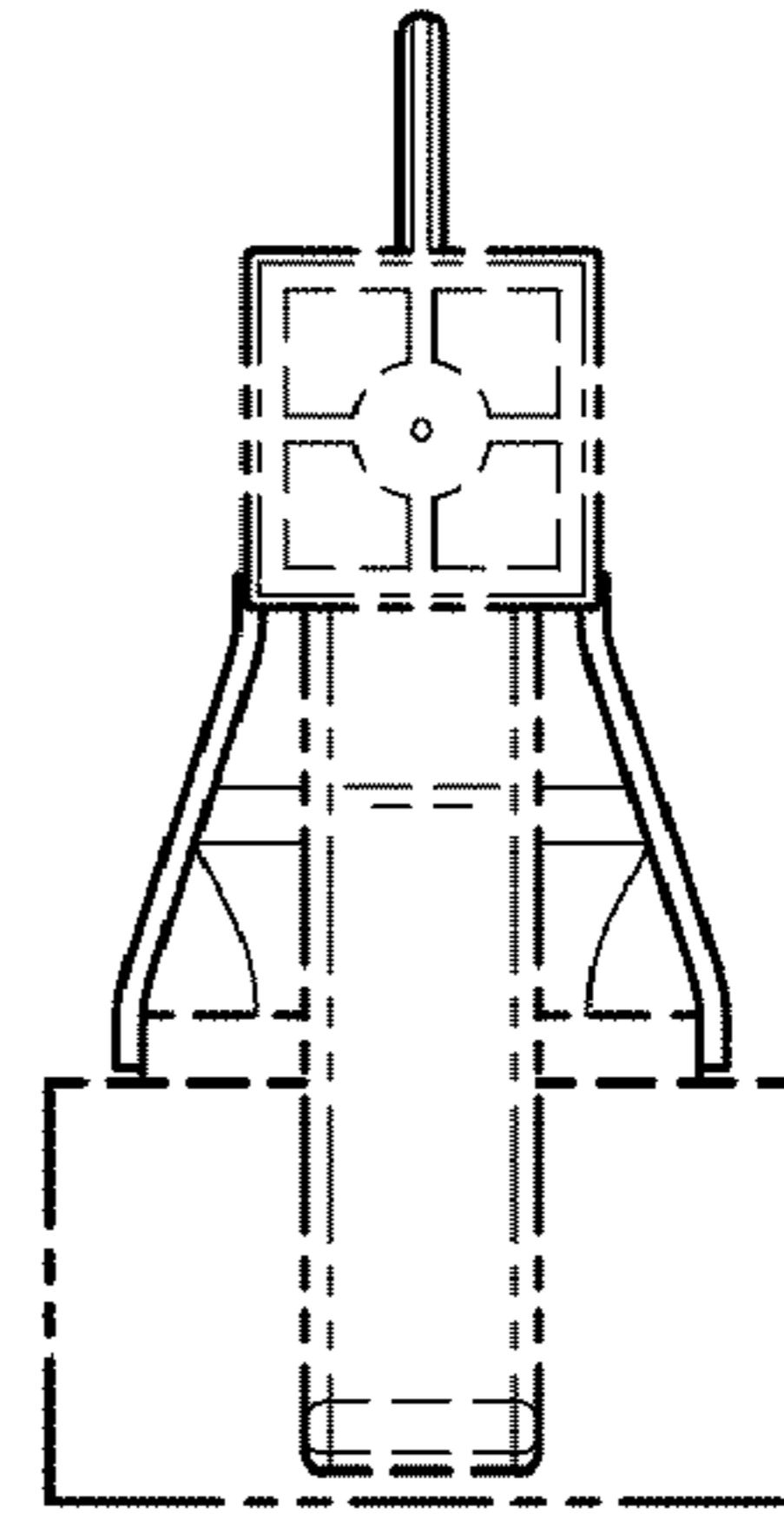


FIG. 6

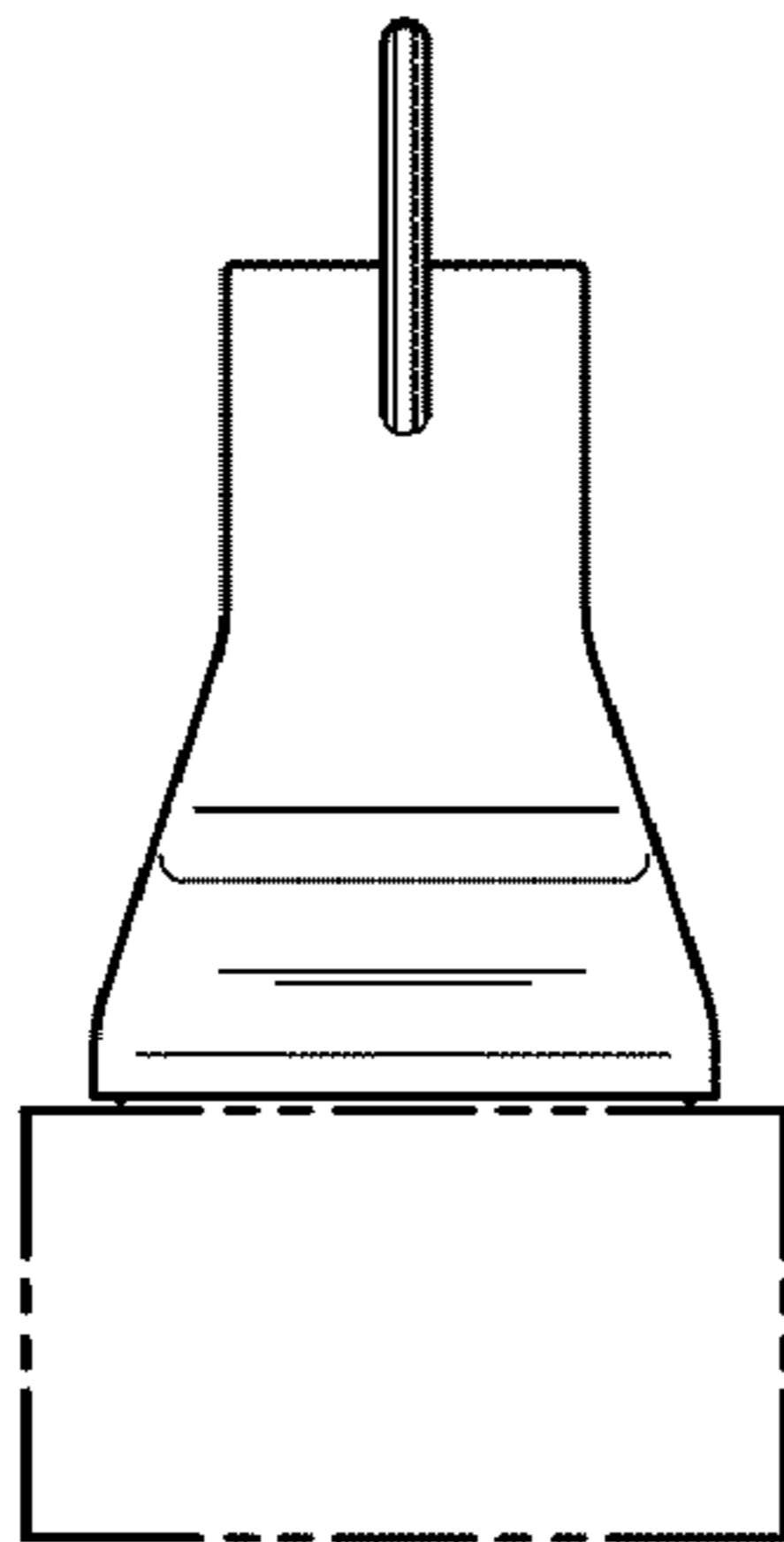


FIG. 7

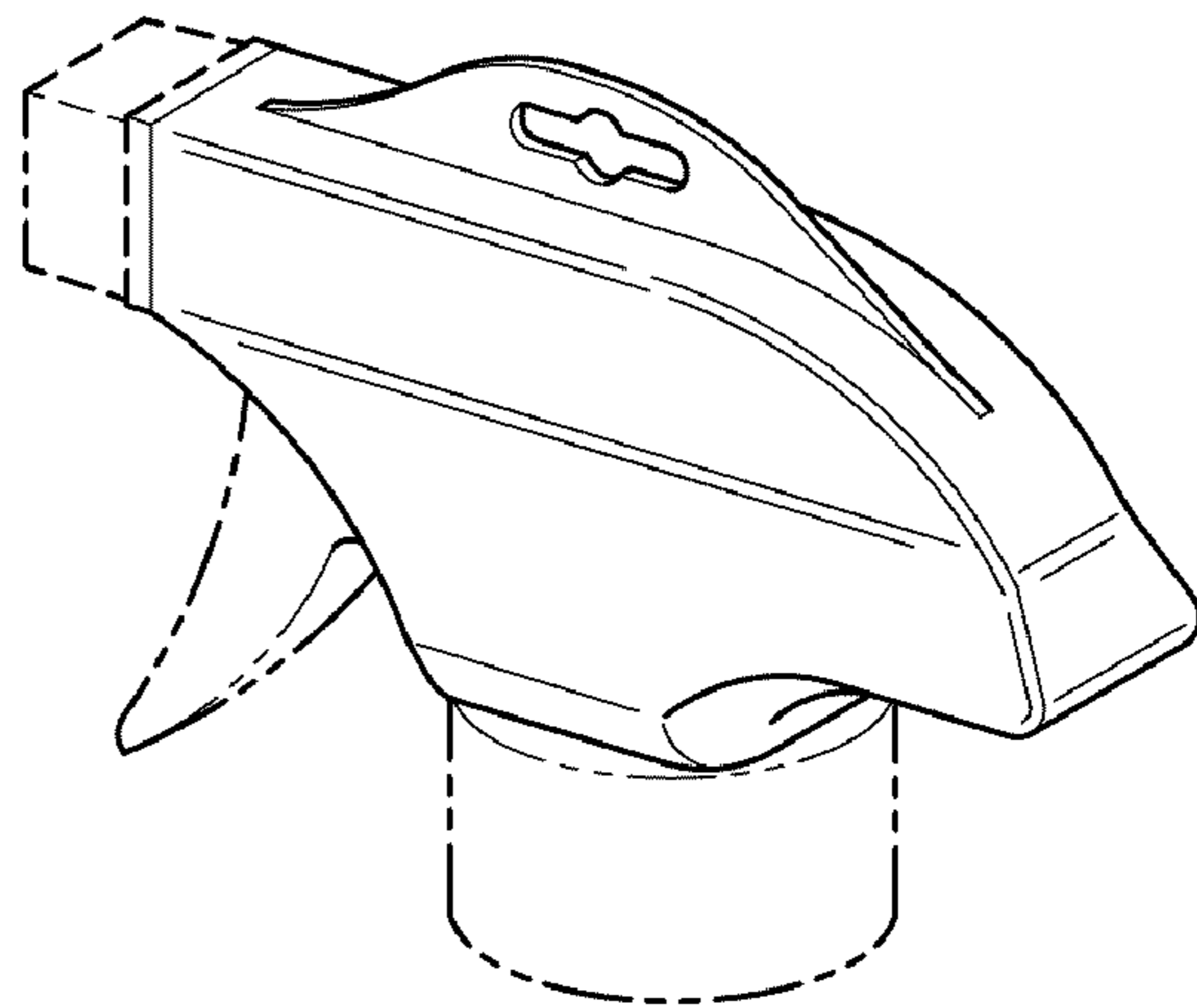


FIG. 8

UNITED STATES PATENT AND TRADEMARK OFFICE
CERTIFICATE OF CORRECTION

PATENT NO. : D655,163 S
APPLICATION NO. : 29/394218
DATED : March 6, 2012
INVENTOR(S) : Sean M. Kenny and Richard Joseph Mannoia

Page 1 of 1

It is certified that error appears in the above-identified patent and that said Letters Patent is hereby corrected as shown below:

On the Title Page

Under Item (12):

Patent says: "Keny et al." should be -- Kenny et al. --.

Item (75):

Patent says "Inventors: Sean M. Keny, Greensboro, NC (US);
Richard Joseph Mannoia, Patchogue, NY (US)" should be

-- Sean M. Kenny, Greensboro, NC (US);
Richard Joseph Mannoia, Patchogue, NY (US) --.

Signed and Sealed this
Tenth Day of April, 2012



David J. Kappos
Director of the United States Patent and Trademark Office