



US00D655162S

(12) **United States Design Patent**
Daniel

(10) **Patent No.:** **US D655,162 S**
(45) **Date of Patent:** **** Mar. 6, 2012**

(54) **PROTECTIVE LID WITH SCROLLABLE COVER AND A REMOVABLE ELEMENT**

(76) Inventor: **Isaac S. Daniel**, Miramar, FL (US)

(**) Term: **14 Years**

(21) Appl. No.: **29/397,363**

(22) Filed: **Jul. 14, 2011**

(51) **LOC (9) Cl.** **09-07**

(52) **U.S. Cl.** **D9/447; D9/454; D9/449; D9/450; D9/445**

(58) **Field of Classification Search** **D9/772, D9/454, 450, 449, 447, 438, 436, 435, 434; D7/396.2, 392.1; 220/713, 711, 703, 377, 220/273, 270, 256.1, 254.1**

See application file for complete search history.

(56) **References Cited**

U.S. PATENT DOCUMENTS

D319,979	S *	9/1991	Johnson	D9/434
D417,845	S *	12/1999	Sadlier et al.	D9/447
6,659,302	B2	12/2003	Lin		
7,159,732	B2	1/2007	Smith et al.		
D537,717	S	3/2007	Notarianni		
7,246,715	B2	7/2007	Smith et al.		
D591,151	S *	4/2009	Freeman	D9/447
D591,595	S *	5/2009	Tedford, Jr.	D9/447
7,845,509	B2	12/2010	Burchard		
D634,192	S *	3/2011	Mueller	D9/436
2005/0127075	A1	6/2005	Smith		
2006/0096983	A1	5/2006	Patterson		

* cited by examiner

Primary Examiner — Susan Bennett Hattan

(74) *Attorney, Agent, or Firm* — Carol N. Green, Esq.

(57) **CLAIM**

The ornamental design for a protective lid with scrollable cover and a removable element, as shown and described.

DESCRIPTION

FIG. 1 is a top perspective view of the protective lid with scrollable cover and a removable element.

FIG. 2 is a bottom perspective view of the protective lid with scrollable cover and a removable element.

FIG. 3 is a top perspective view of the protective lid with scrollable cover and the removable element removed.

FIG. 4 is a top perspective view of the protective lid with scrollable cover and a removable element in use.

FIG. 5 is a bottom perspective view of the protective lid with scrollable cover and a removable element in use.

FIG. 6 is a top projected view of the protective lid with scrollable cover and a removable element illustrating its assembly.

FIG. 7 is a bottom projected view of the protective lid with scrollable cover and a removable element illustrating its assembly.

FIG. 8 is a top plan view of the protective lid with scrollable cover and a removable element.

FIG. 9 is a bottom plan view of the protective lid with scrollable cover and a removable element.

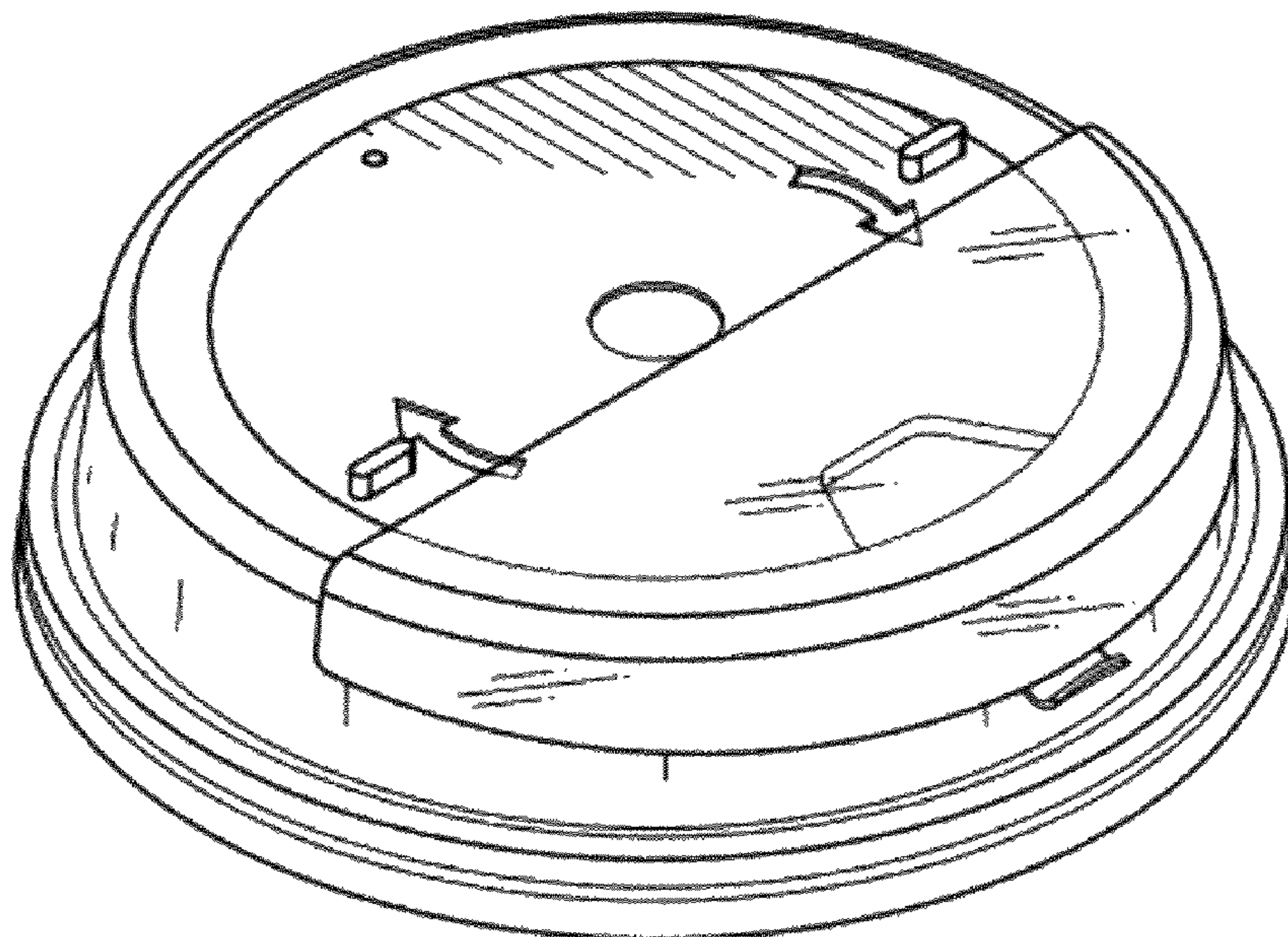
FIG. 10 is a side view of the protective lid with scrollable cover and a removable element.

FIG. 11 is a front view of the protective lid with scrollable cover and a removable element; and,

FIG. 12 is a rear view of the protective lid with scrollable cover and a removable element.

The broken lines in FIGS. 4 and 5 depict a cup with the protective lid with scrollable cover and a removable element in use showing the environment forming no part of the claimed design.

1 Claim, 6 Drawing Sheets



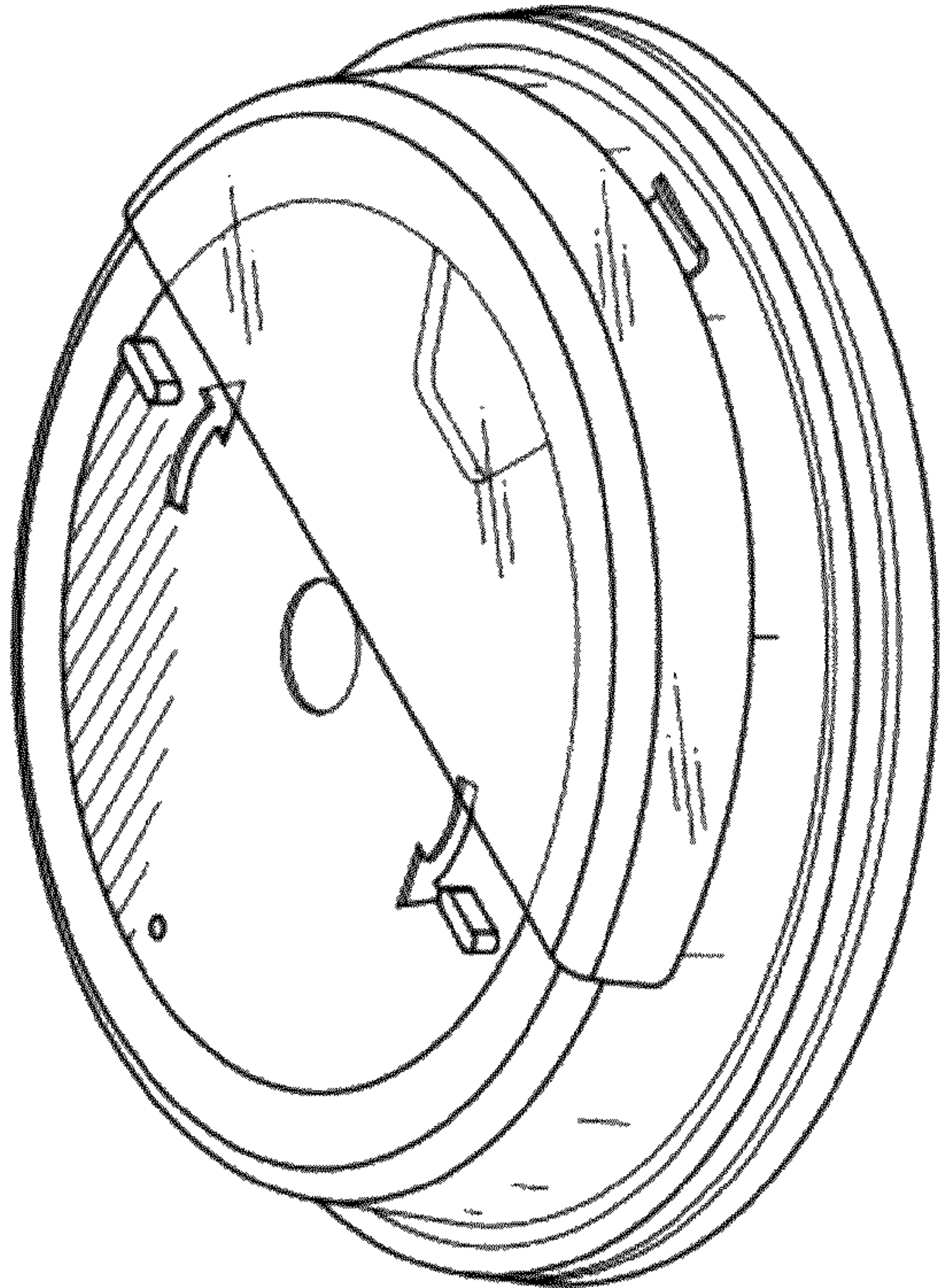


FIG. 1

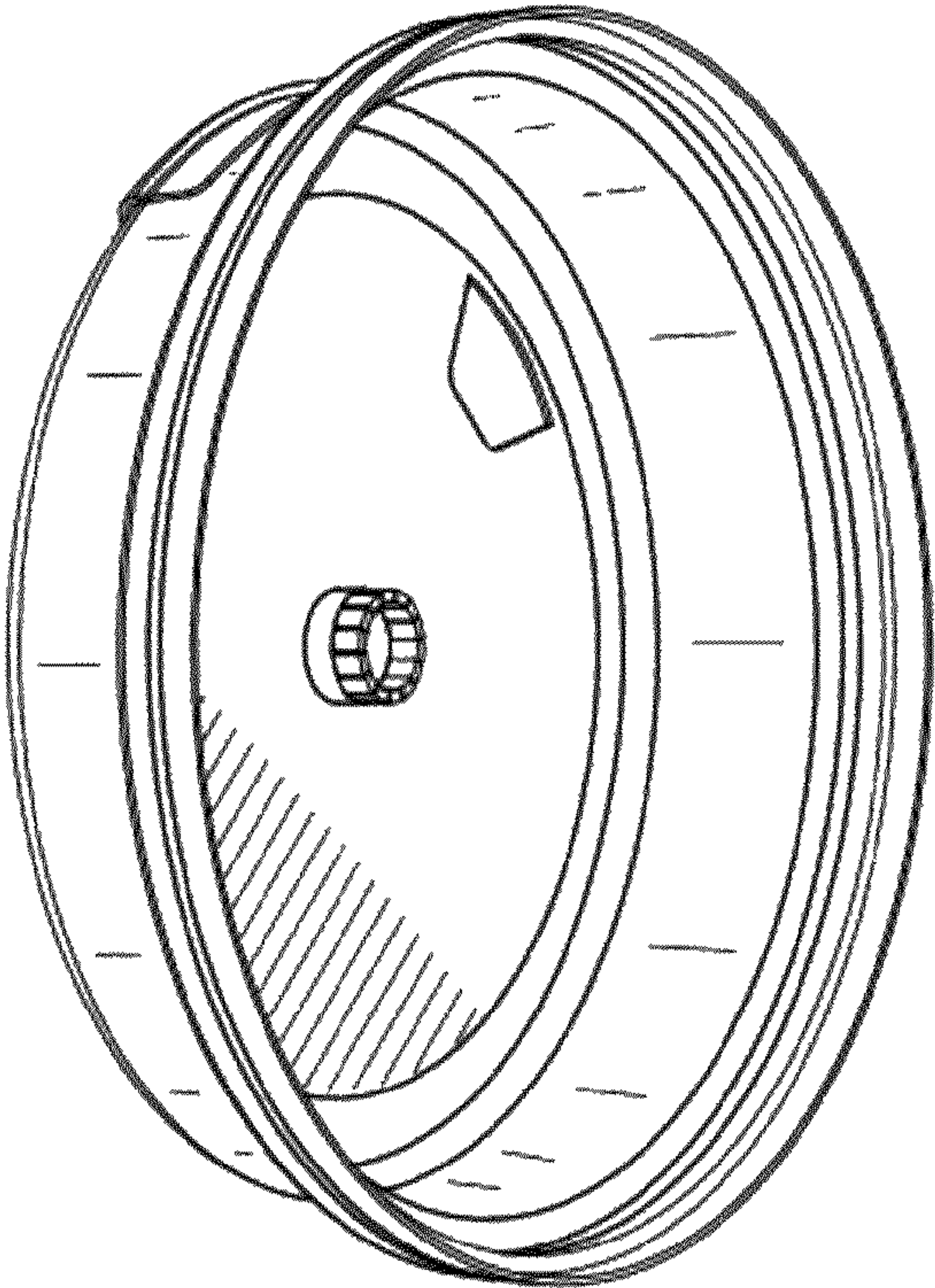


FIG. 2

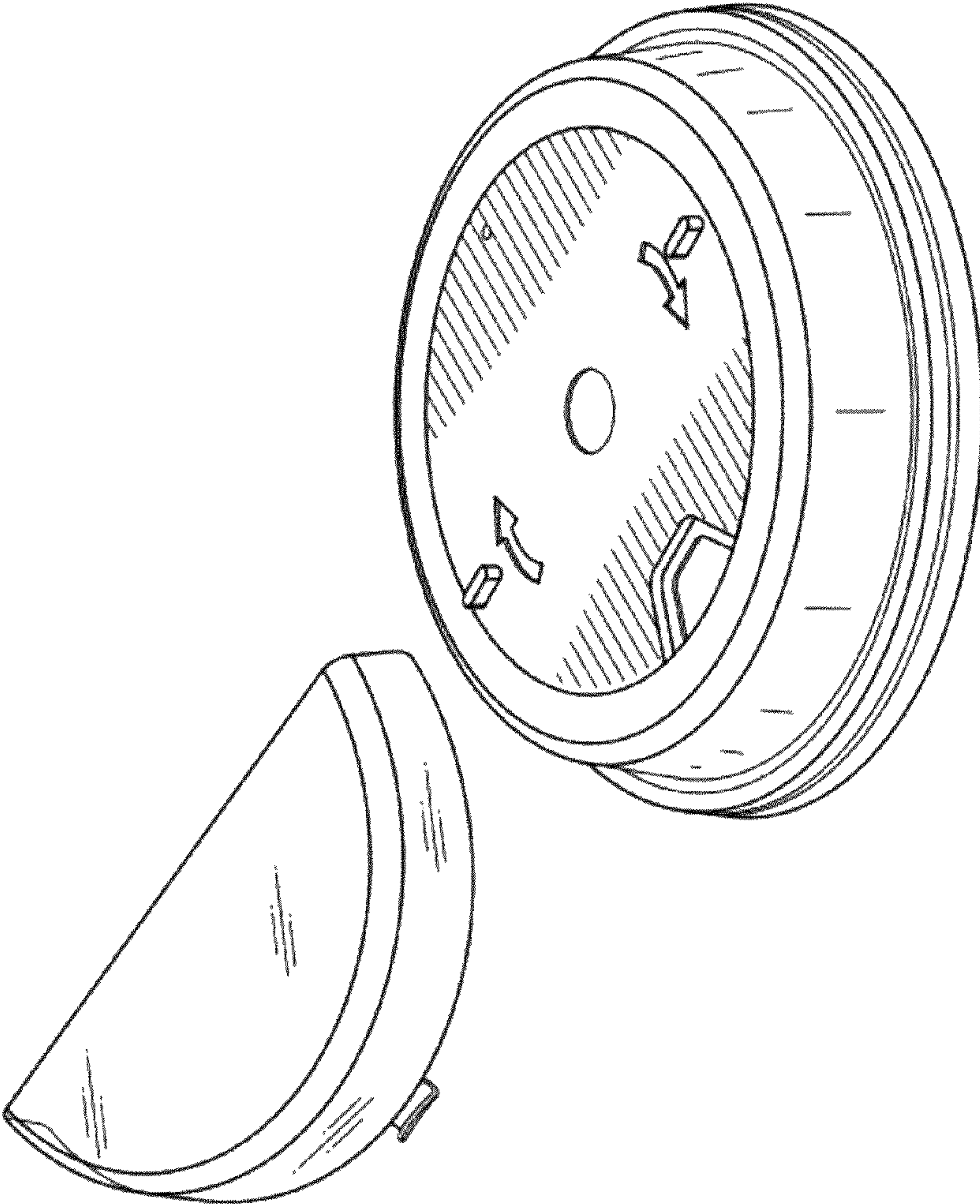


FIG. 3

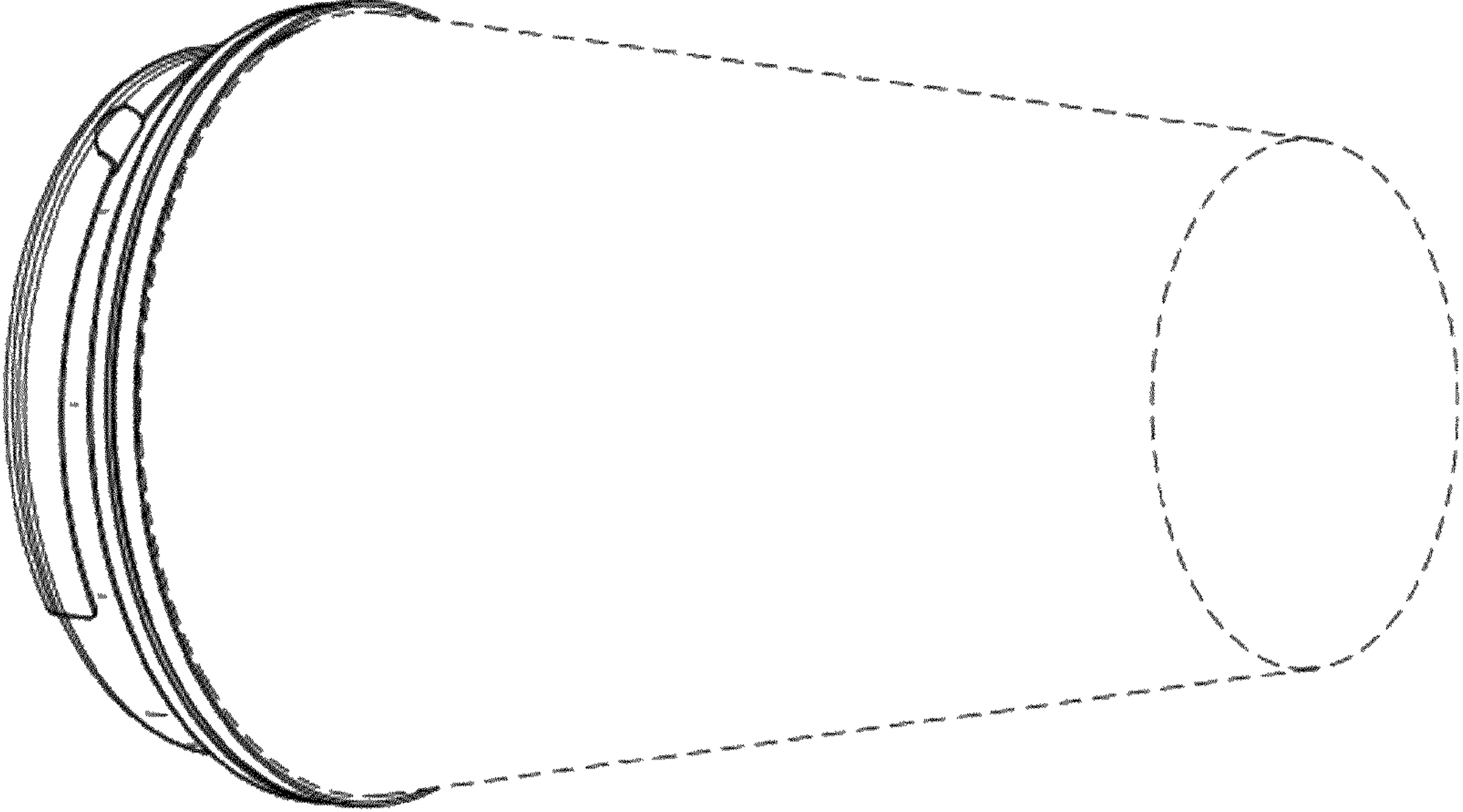


FIG. 5

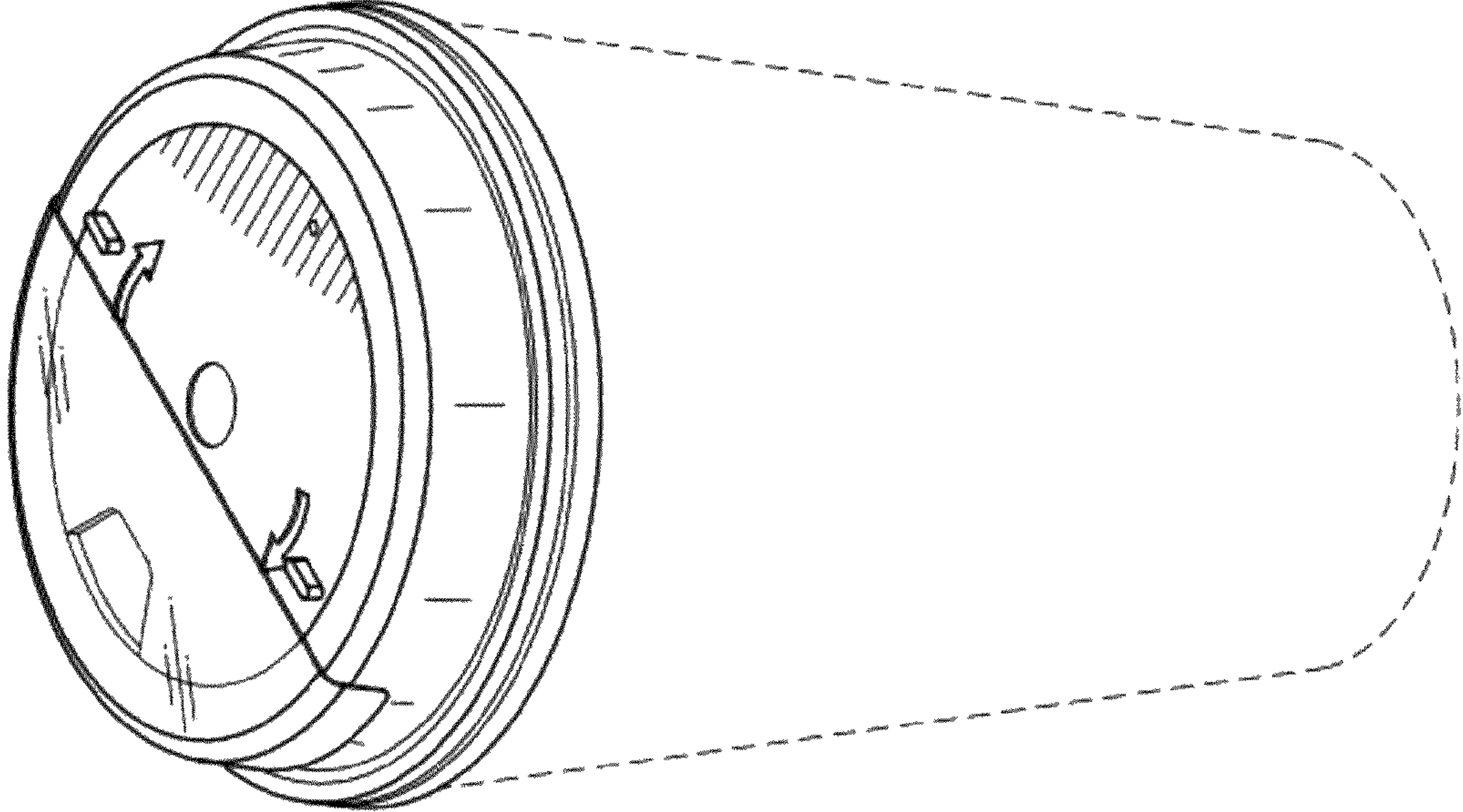


FIG. 4

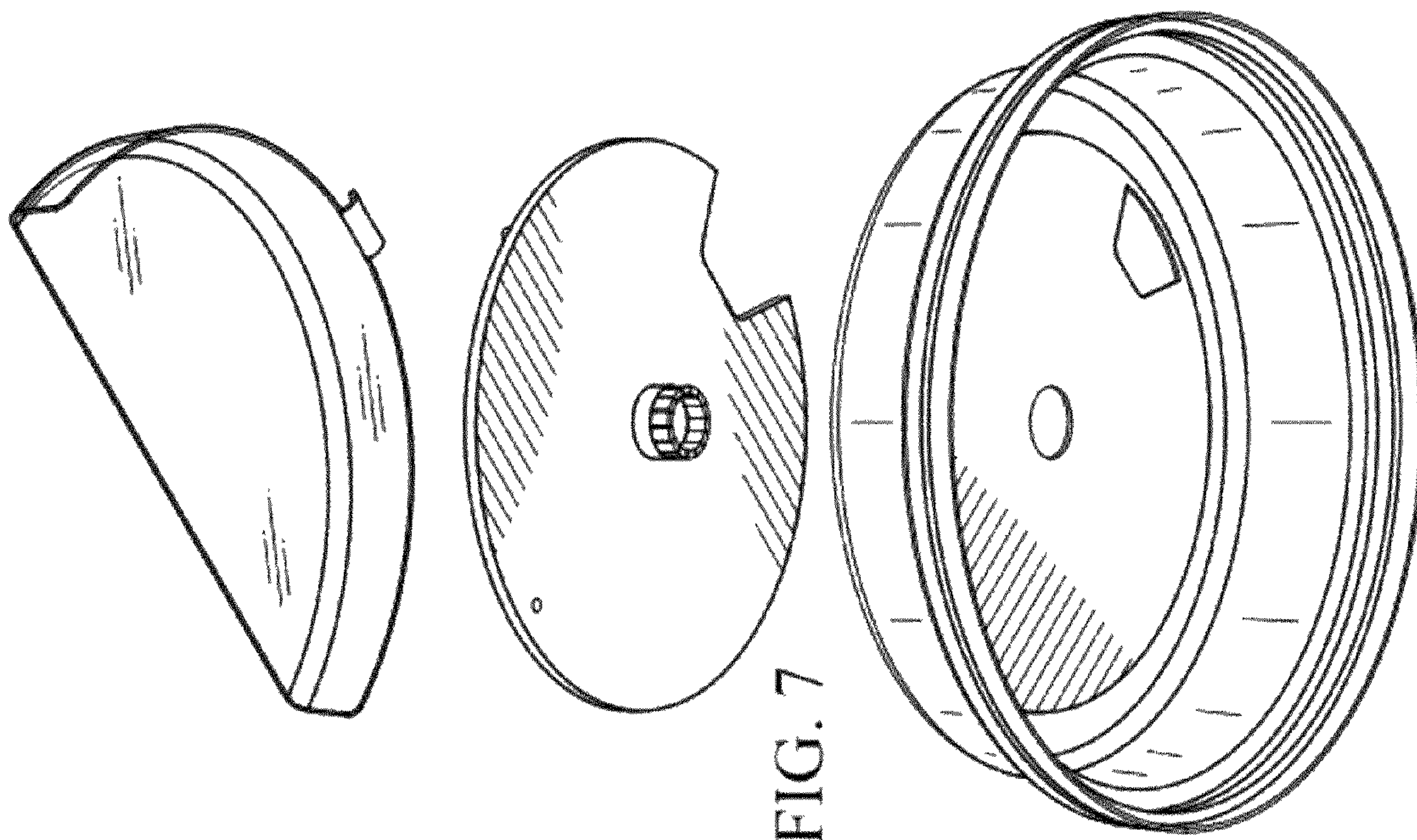


FIG. 7

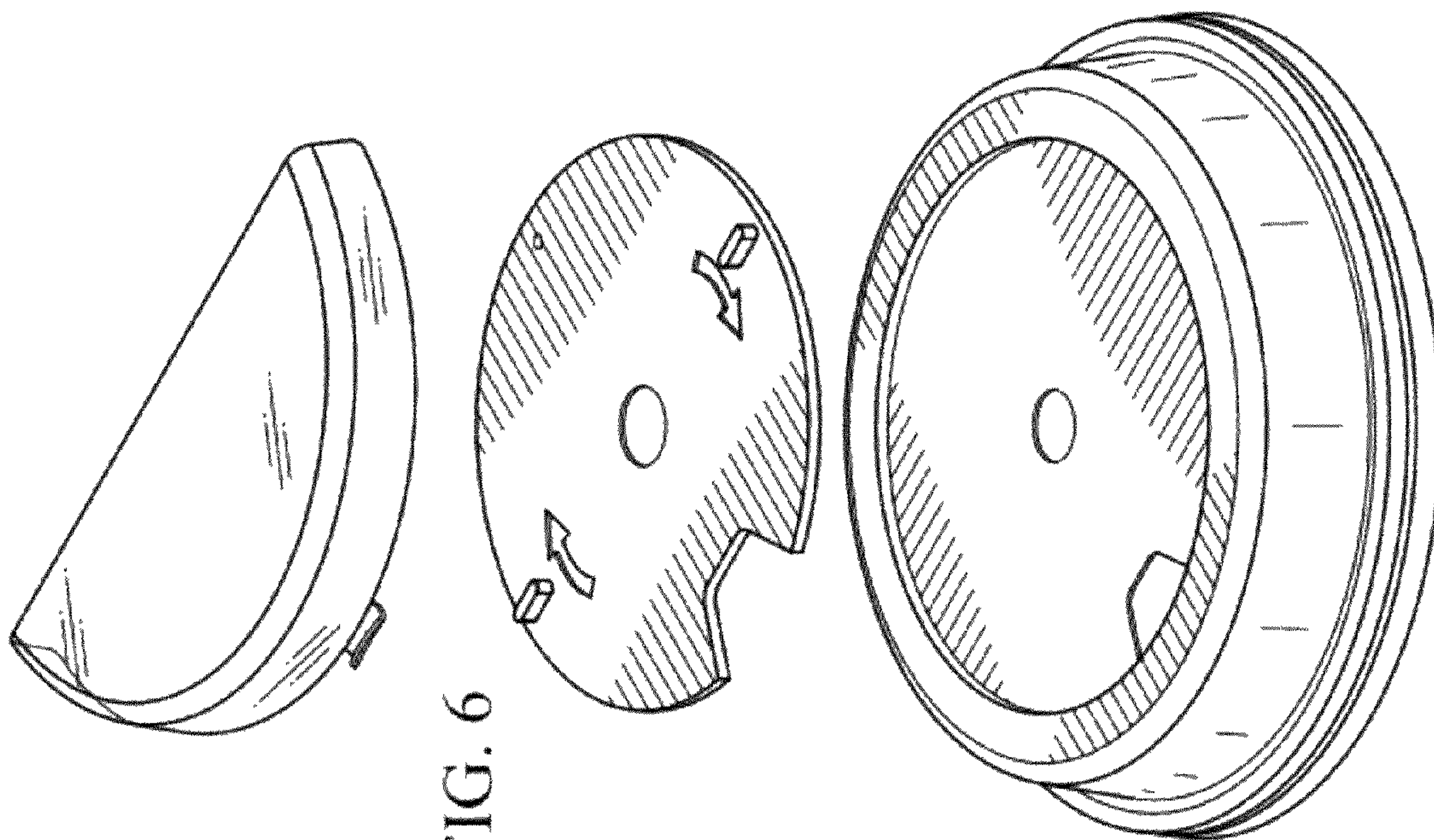


FIG. 6

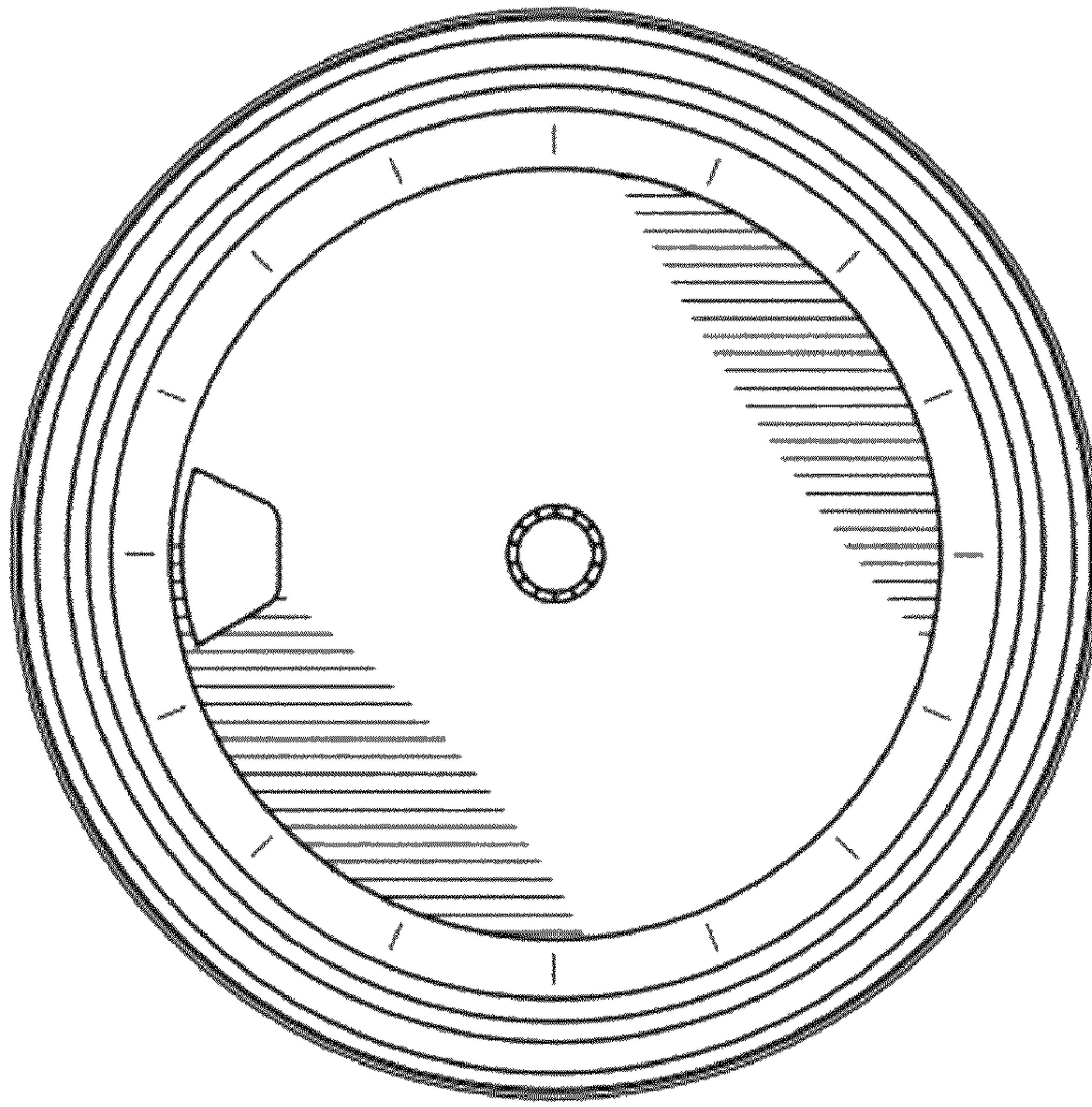


FIG. 9

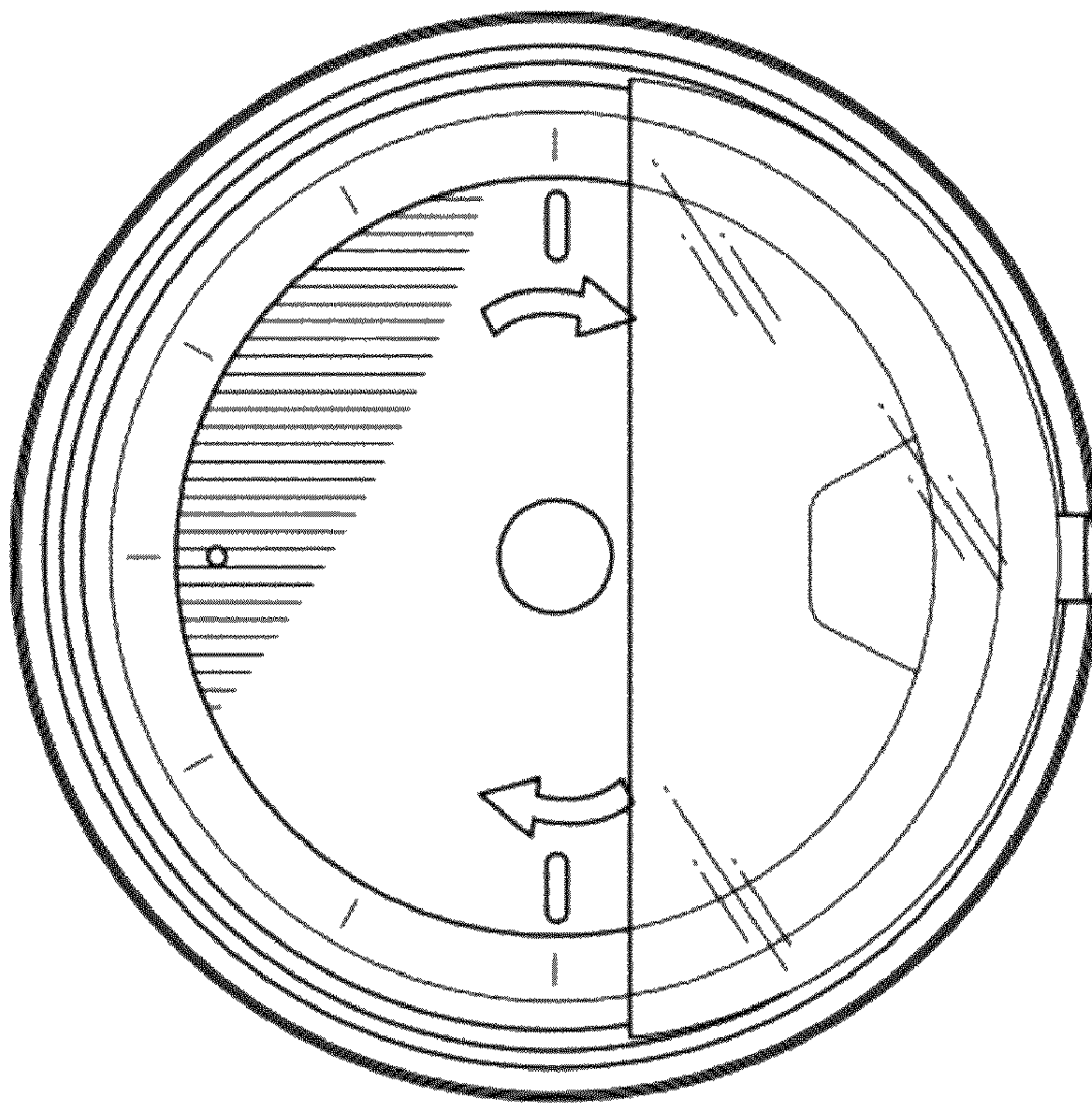


FIG. 8

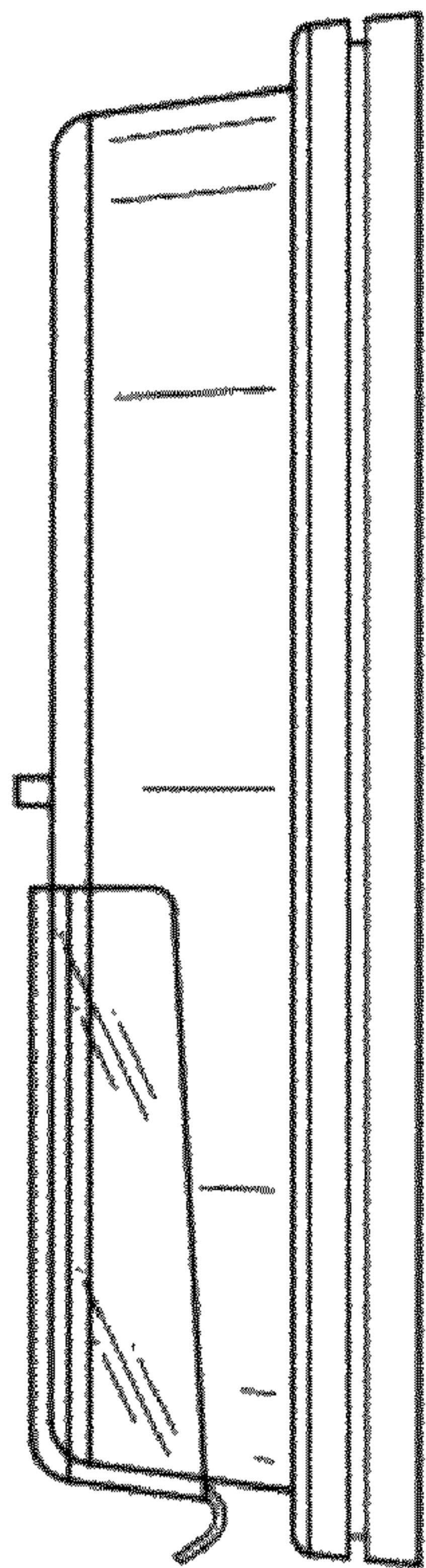


FIG. 10

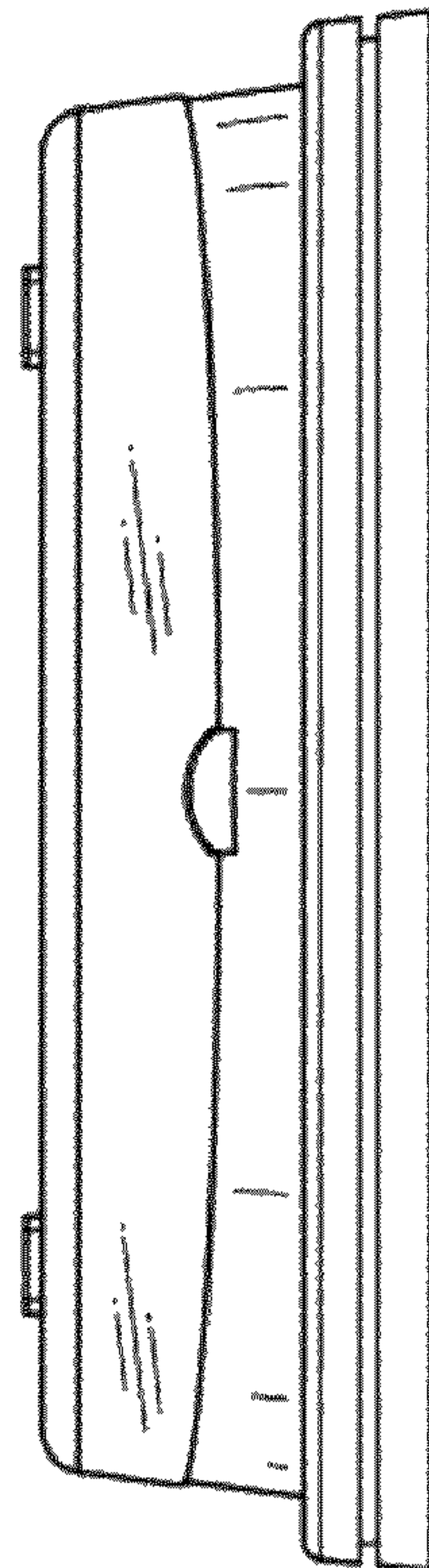


FIG. 11

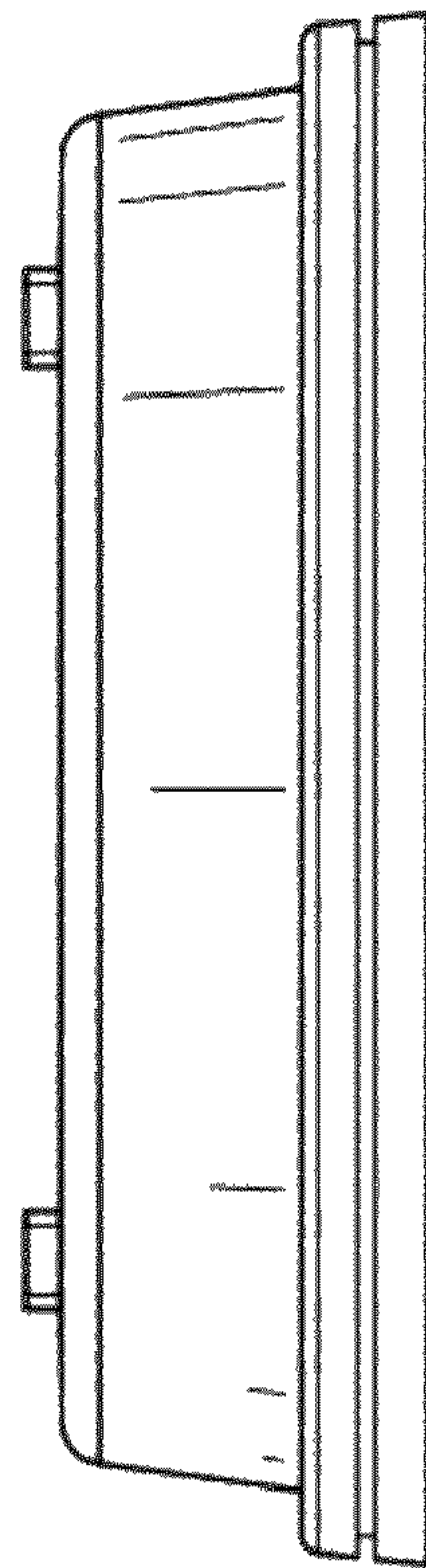


FIG. 12