



US00D655161S

(12) **United States Design Patent**
Daniel

(10) **Patent No.:** **US D655,161 S**
(45) **Date of Patent:** **** Mar. 6, 2012**

(54) **REMOVABLE SANITARY LID COVER**

(76) Inventor: **Isaac S. Daniel**, Miramar, FL (US)

(**) Term: **14 Years**

(21) Appl. No.: **29/389,927**

(22) Filed: **Apr. 18, 2011**

(51) **LOC (9) Cl.** **09-07**

(52) **U.S. Cl.** **D9/447; D9/445; D9/449**

(58) **Field of Classification Search** D9/772,
D9/454, 450, 449, 447, 438, 436, 435, 434;
D7/396.2, 392.1; 220/713, 711, 703, 377,
220/273, 270, 256.1, 254.1

See application file for complete search history.

(56) **References Cited**

U.S. PATENT DOCUMENTS

D537,717 S 3/2007 Notarianni
D636,222 S * 4/2011 Neiheiser et al. D7/396.2
D643,679 S * 8/2011 Lu D7/392.1

* cited by examiner

Primary Examiner — Susan Bennett Hattan

(74) *Attorney, Agent, or Firm* — Carol N. Green, Esq.

(57) **CLAIM**

The ornamental design for a removable sanitary lid cover, as shown and described.

DESCRIPTION

FIG. 1 is a top perspective view of the removable sanitary lid cover.

FIG. 2 is a bottom perspective view of the removable sanitary lid cover.

FIG. 3 is a top perspective view of the removable sanitary lid cover in use.

FIG. 4 is a bottom perspective view of the removable sanitary lid cover in use.

FIG. 5 is a top plan view of the removable sanitary lid cover.

FIG. 6 is a bottom plan view of the removable sanitary lid cover.

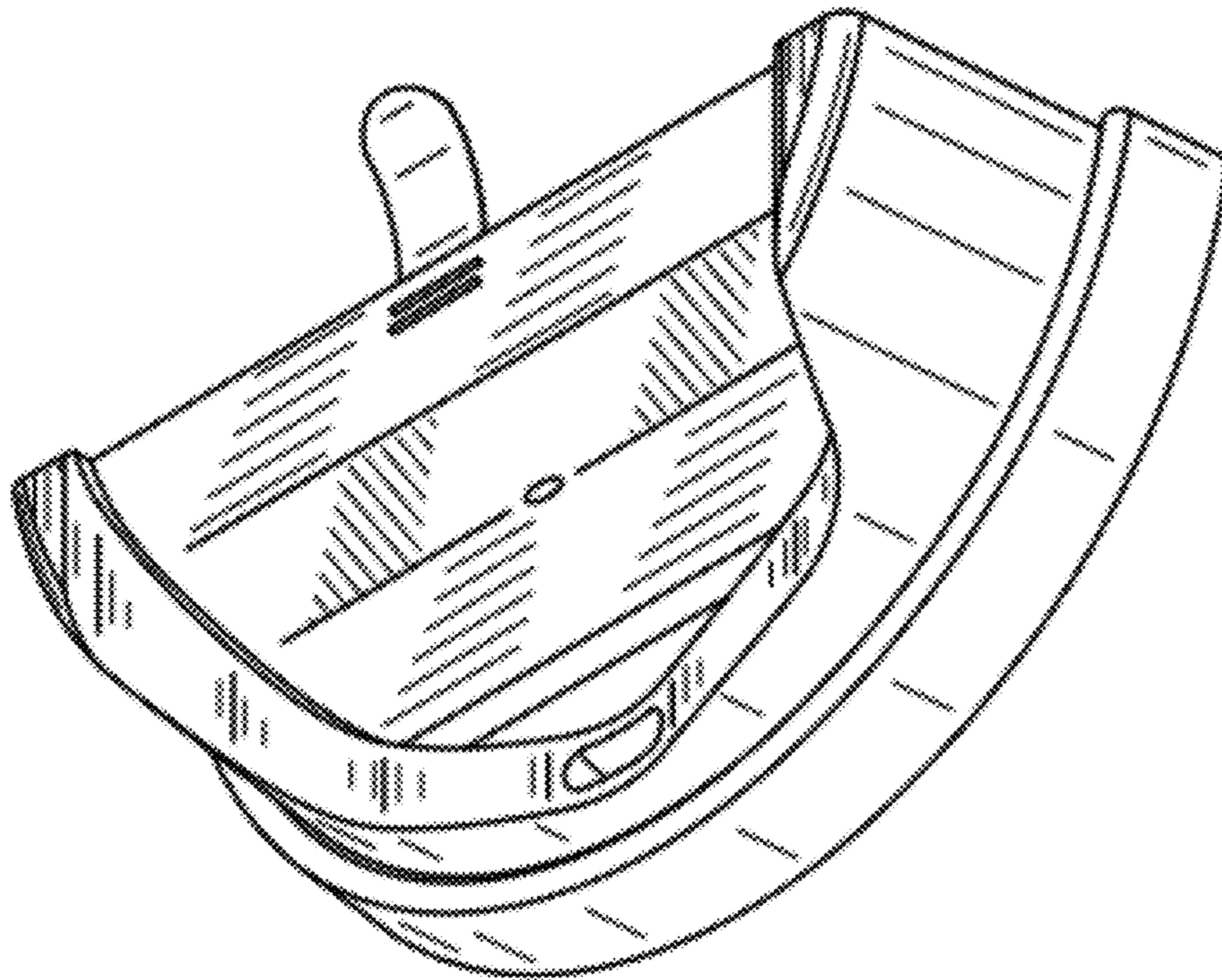
FIG. 7 is a side view of the removable sanitary lid cover.

FIG. 8 is a front view of the removable sanitary lid cover; and,

FIG. 9 is a rear view of the removable sanitary lid cover.

The broken lines in FIGS. 3 and 4 depict a cup with a removable lid showing the environment when the removable sanitary lid cover is in use, and form no part of the claimed design.

1 Claim, 4 Drawing Sheets



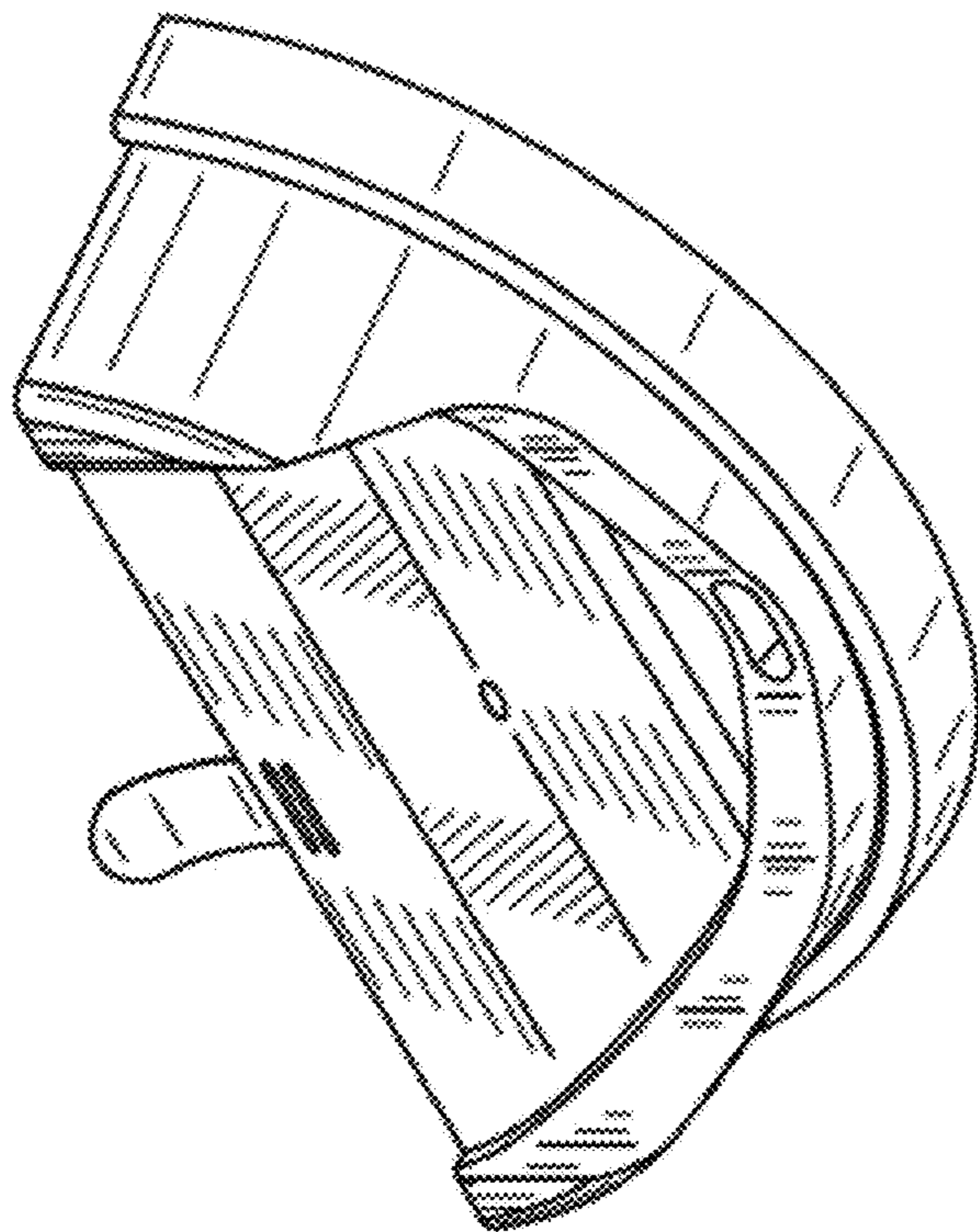


FIG. 1

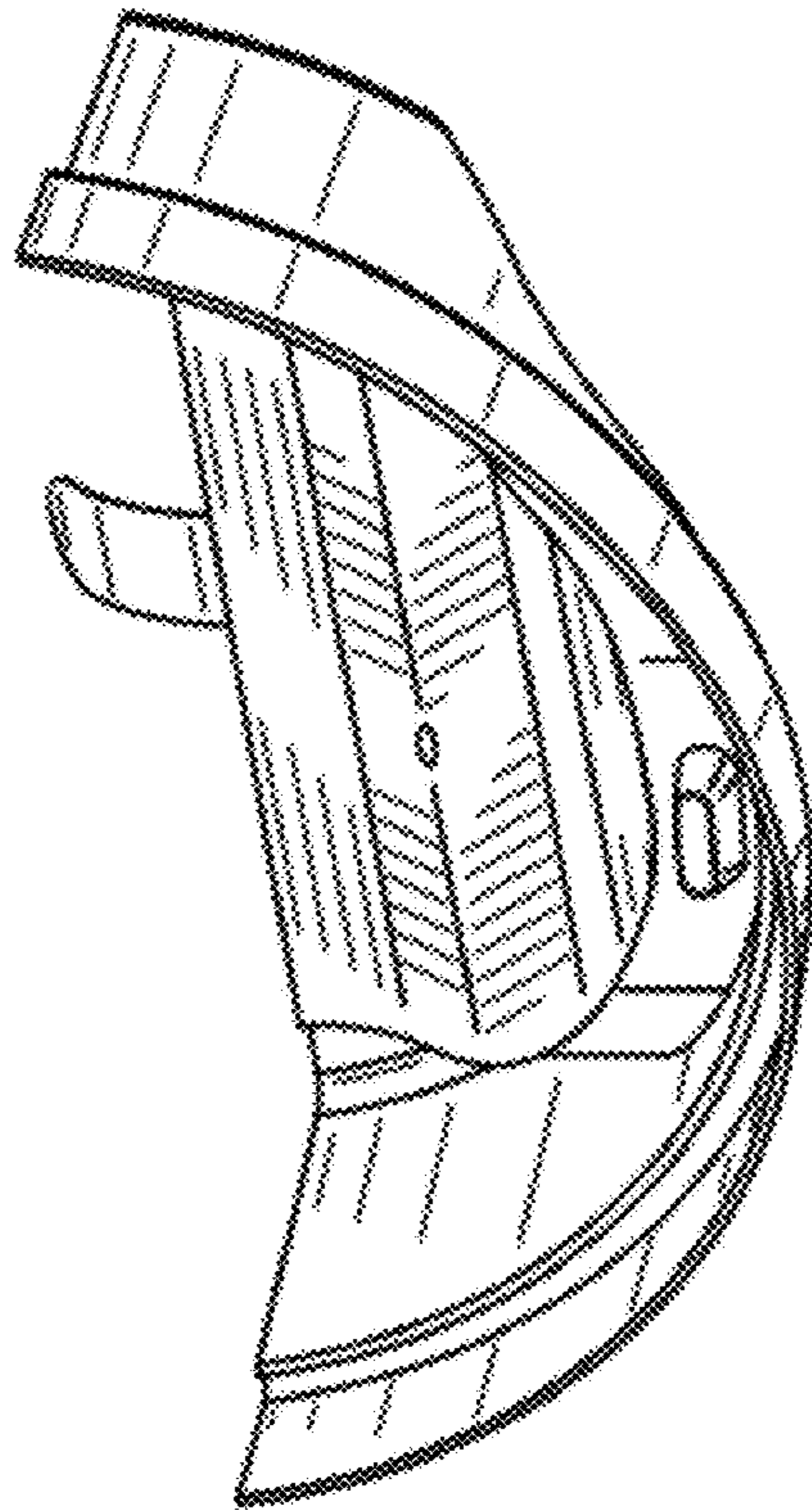


FIG. 2

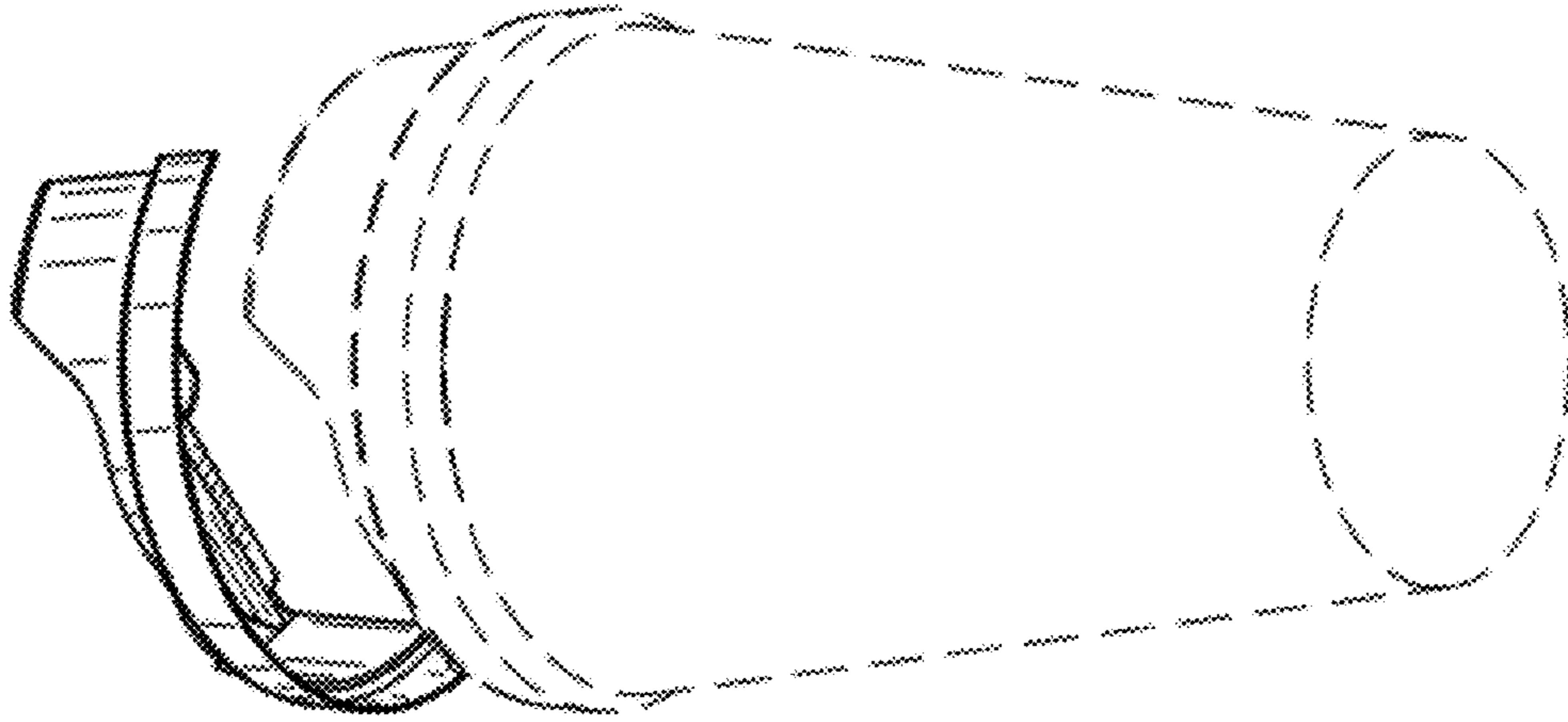


FIG. 4

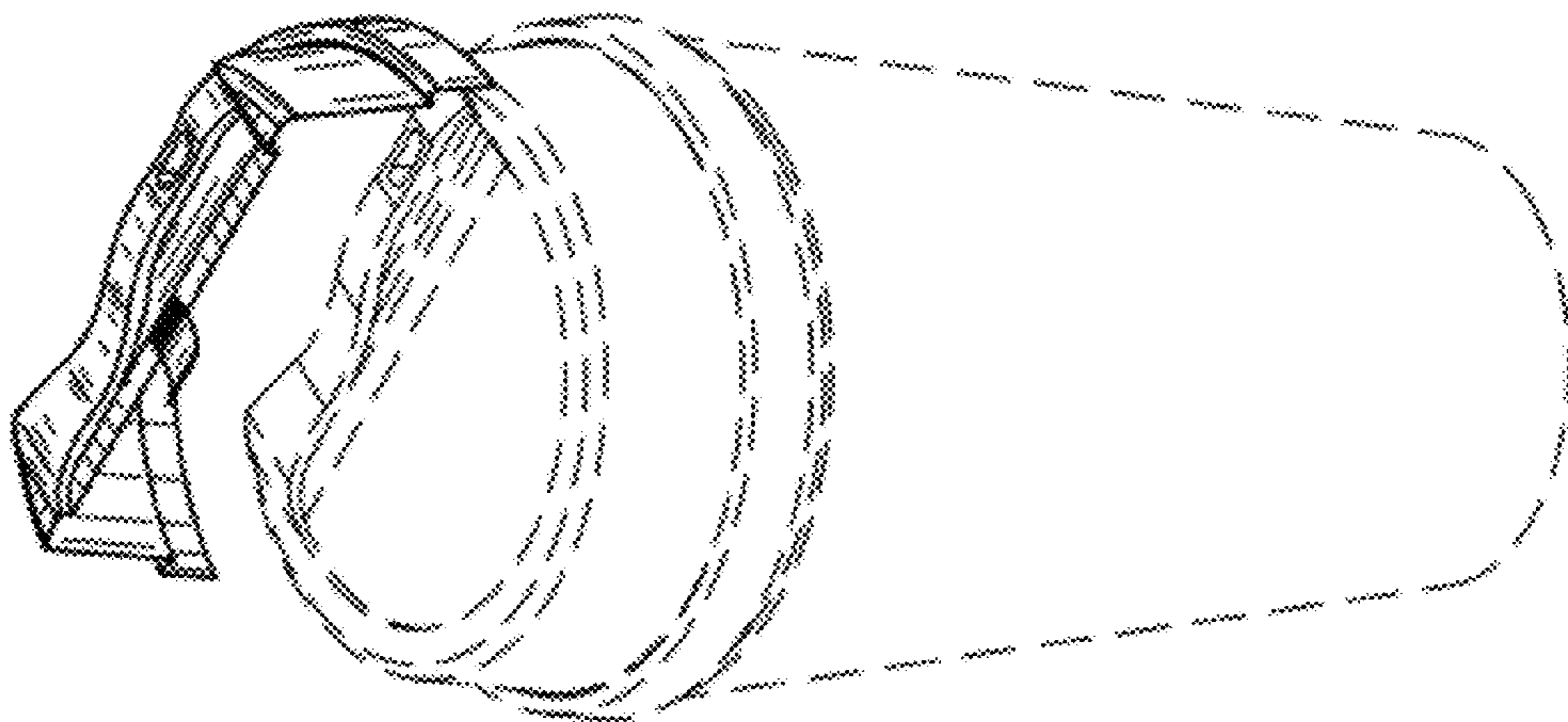


FIG. 3

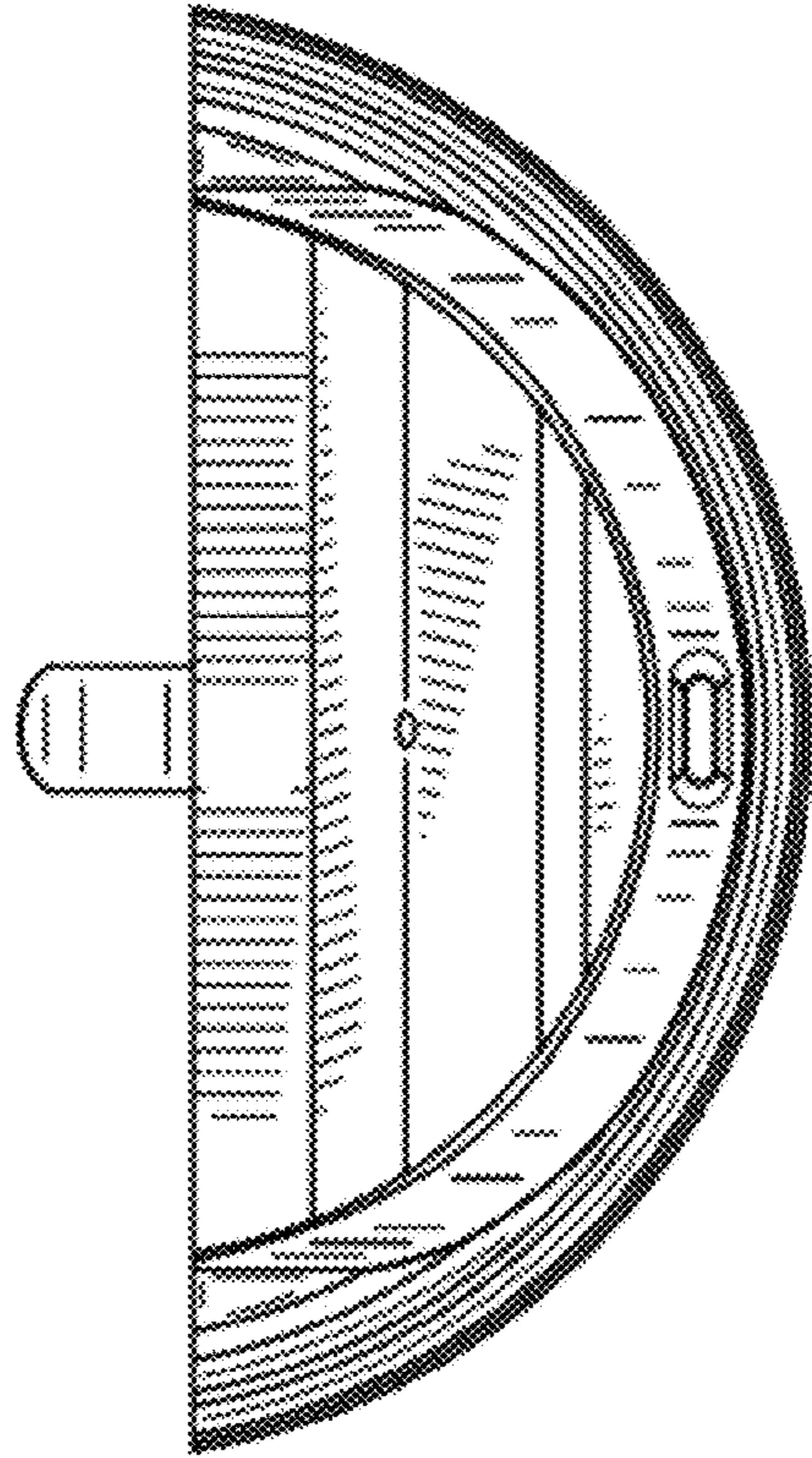


FIG. 5

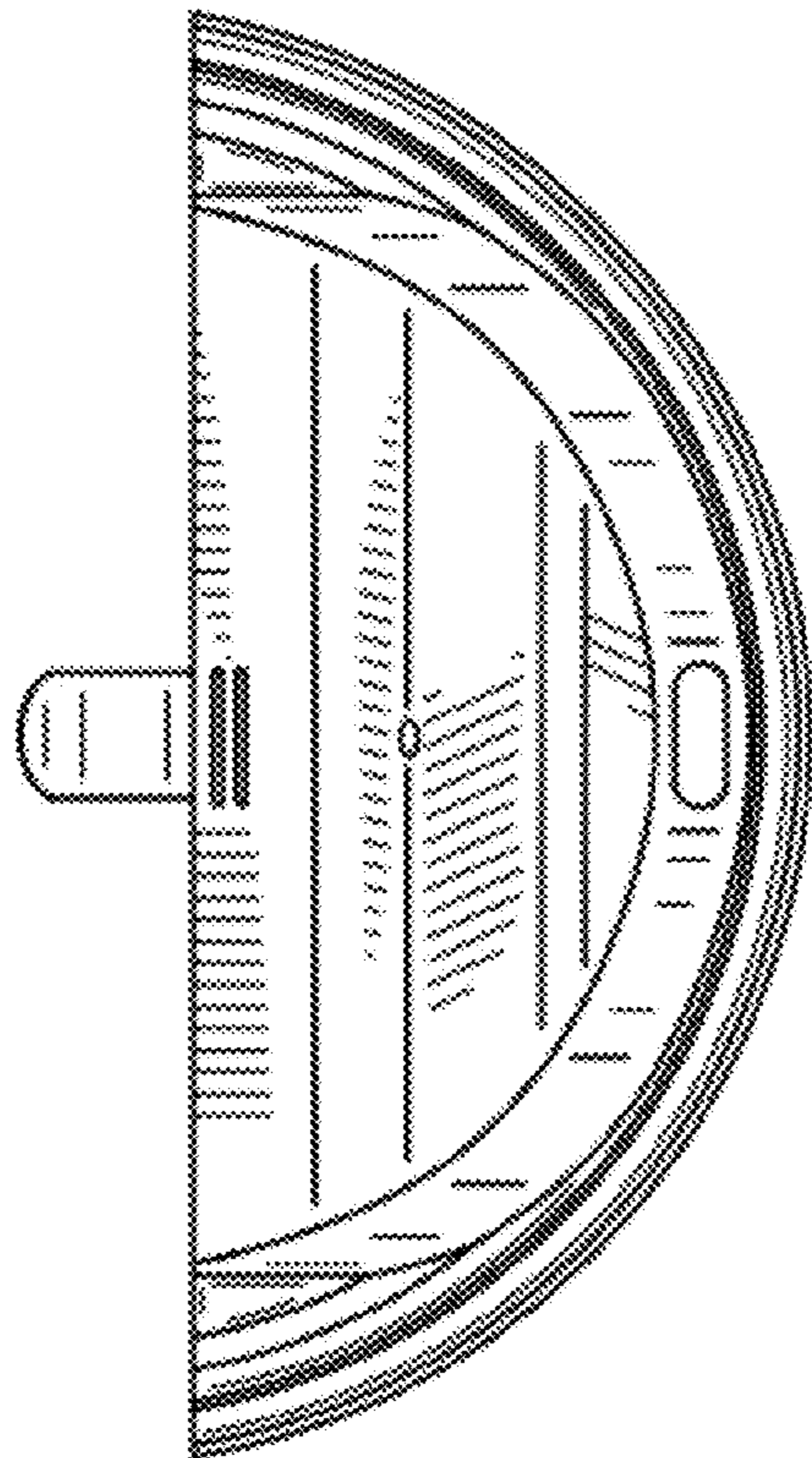


FIG. 6

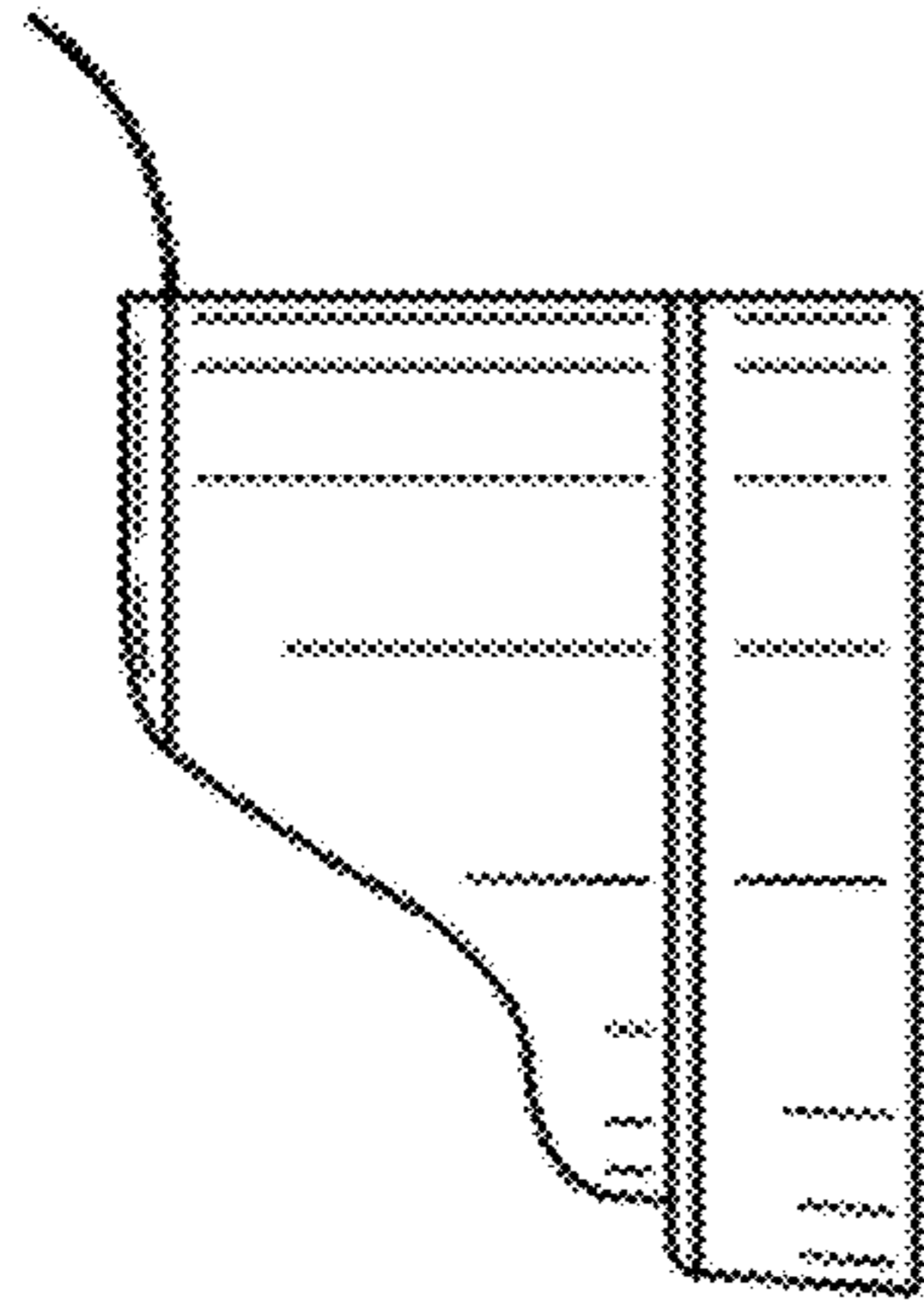


FIG. 7

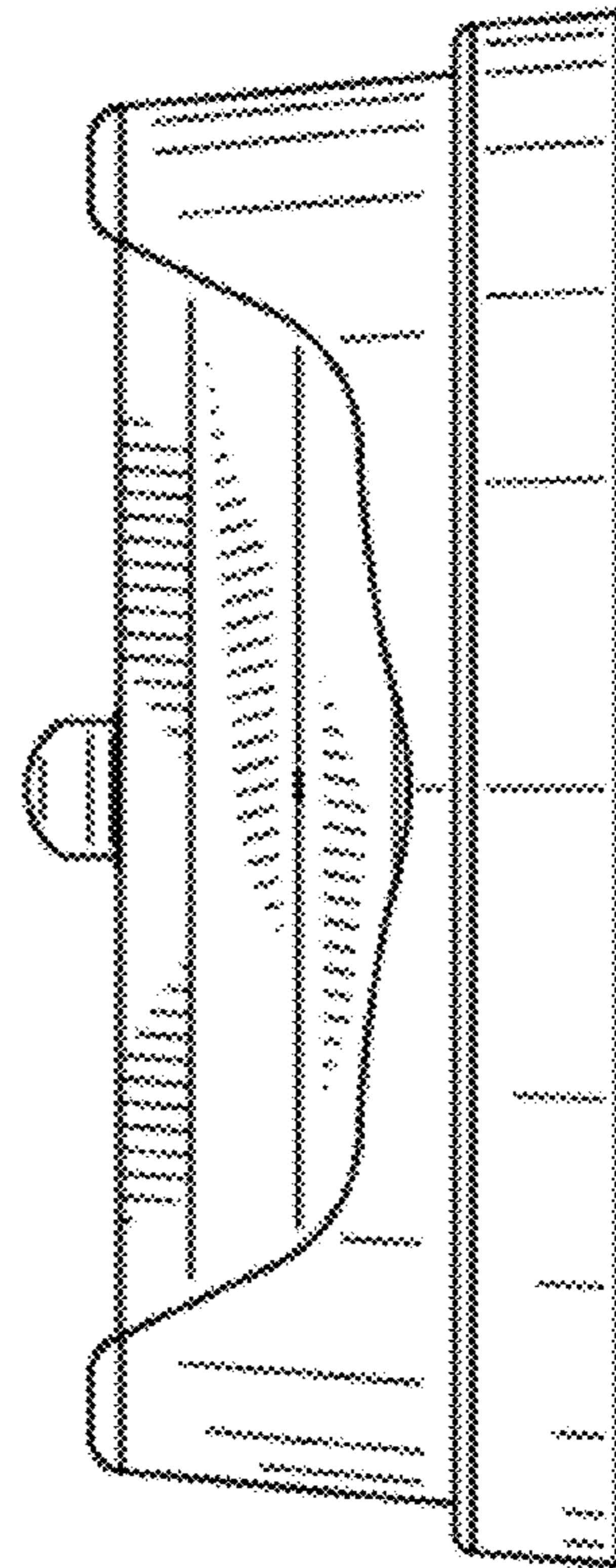


FIG. 8

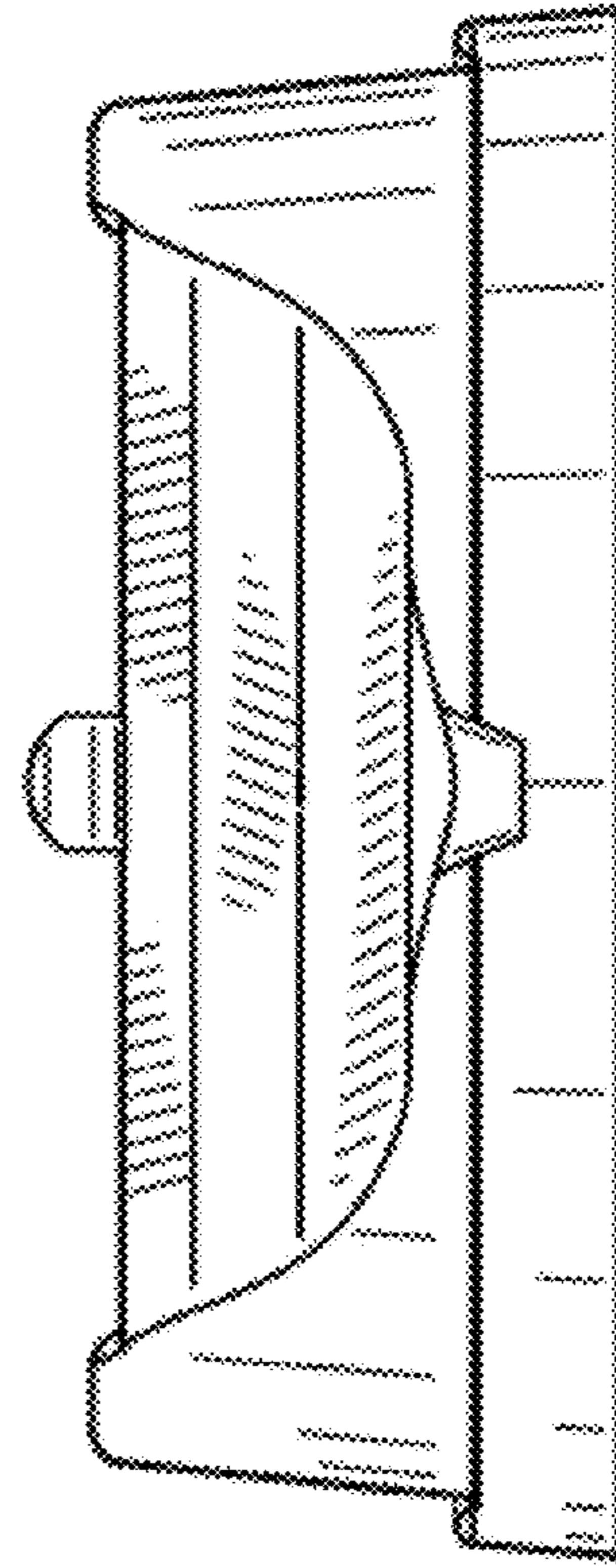


FIG. 9