



US00D655160S

(12) **United States Design Patent**
Daniel

(10) **Patent No.:** **US D655,160 S**
(45) **Date of Patent:** **** Mar. 6, 2012**

(54) **PROTECTIVE LID COVER FOR A
REMOVABLE LID**

Primary Examiner — Susan Bennett Hattan
(74) *Attorney, Agent, or Firm* — Carol N. Green, Esq.

(76) Inventor: **Isaac S. Daniel**, Miramar, FL (US)

(57) **CLAIM**
The ornamental design for a protective lid cover for a removable lid, as shown and described.

(**) Term: **14 Years**

(21) Appl. No.: **29/388,910**

DESCRIPTION

(22) Filed: **Apr. 4, 2011**

(51) **LOC (9) Cl.** **09-07**

(52) **U.S. Cl.** **D9/447; D9/454**

(58) **Field of Classification Search** D9/772,
D9/454, 450, 449, 447, 438, 436, 435, 434;
D7/396.2, 392.1; 220/713, 711, 703, 377,
220/273, 270, 256.1, 254.1

See application file for complete search history.

FIG. 1 is a top perspective view of the protective lid cover for a removable lid.

FIG. 2 is a bottom perspective view of the protective lid cover for a removable lid.

FIG. 3 is a top perspective view of the protective lid cover for a removable lid in use.

FIG. 4 is a bottom perspective view of the protective lid cover for a removable lid in use.

FIG. 5 is a top plan view of the protective lid cover for a removable lid.

FIG. 6 is a bottom plan view of the protective lid cover for a removable lid.

FIG. 7 is a front view of the protective lid cover for a removable lid; and,

FIG. 8 is a left side view of the protective lid cover for a removable lid.

The broken lines in FIGS. 3 and 4 depict a cup with a removable lid showing the environment forming no part of the claimed design.

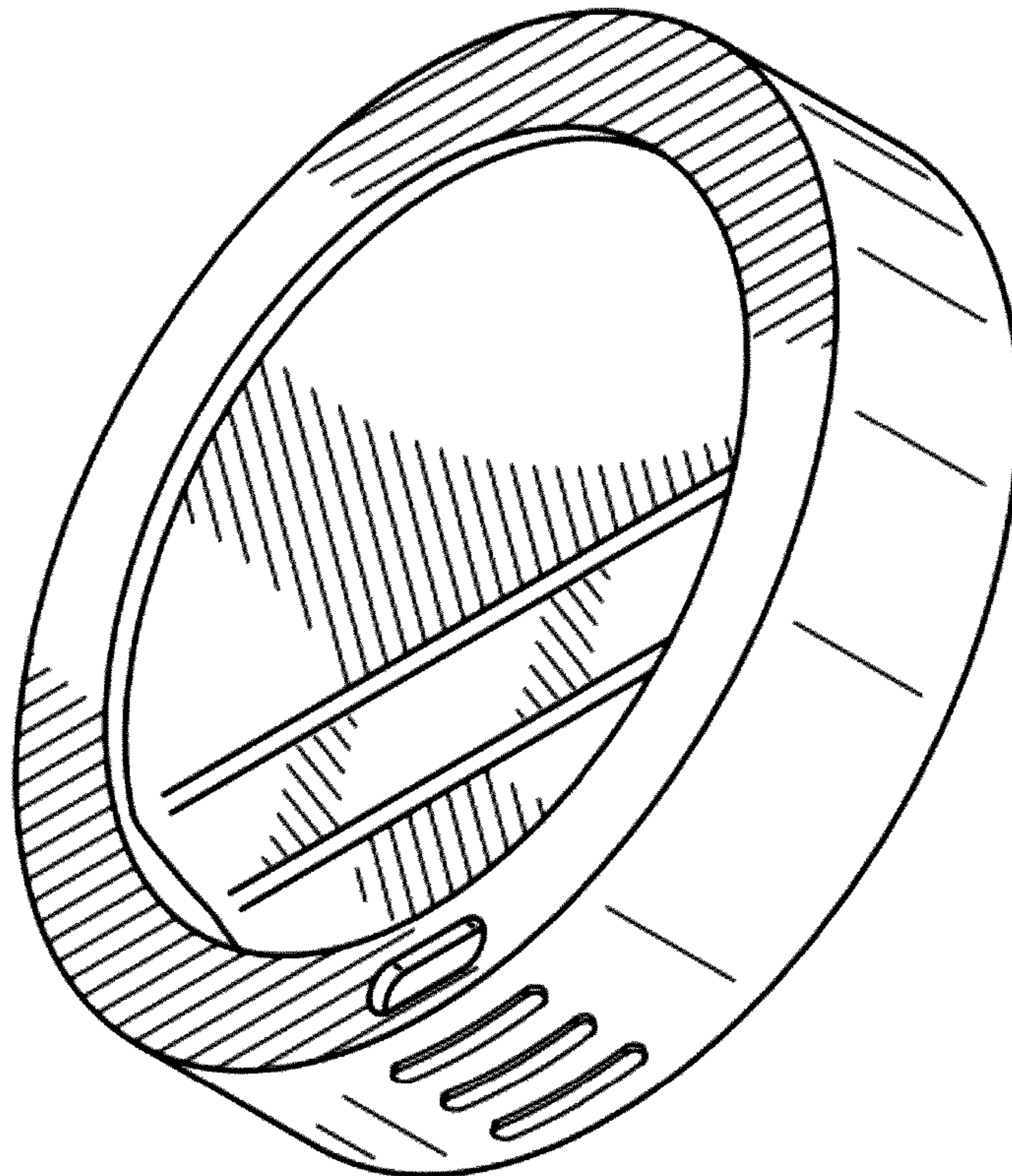
(56) **References Cited**

U.S. PATENT DOCUMENTS

D285,416 S *	9/1986	Dart et al.	D9/447
D359,451 S *	6/1995	Dees	D9/443
D363,665 S *	10/1995	Goto et al.	D9/434
D476,891 S *	7/2003	Clarke et al.	D9/447
D537,717 S	3/2007	Notarianni	
D570,213 S *	6/2008	Newman	D9/447
D591,595 S *	5/2009	Tedford, Jr.	D9/447
D634,192 S *	3/2011	Mueller	D9/436

* cited by examiner

1 Claim, 4 Drawing Sheets



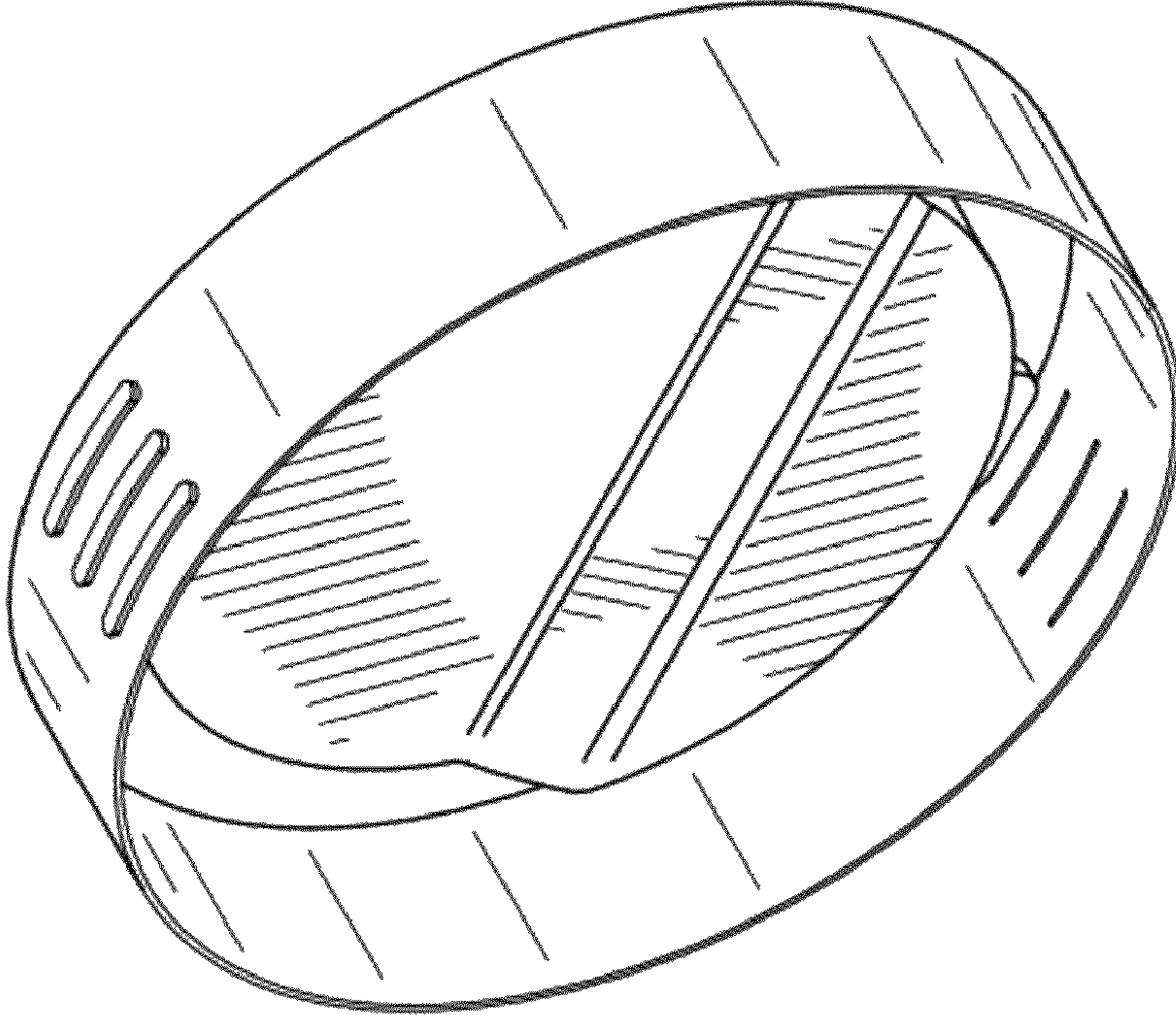


FIG. 2

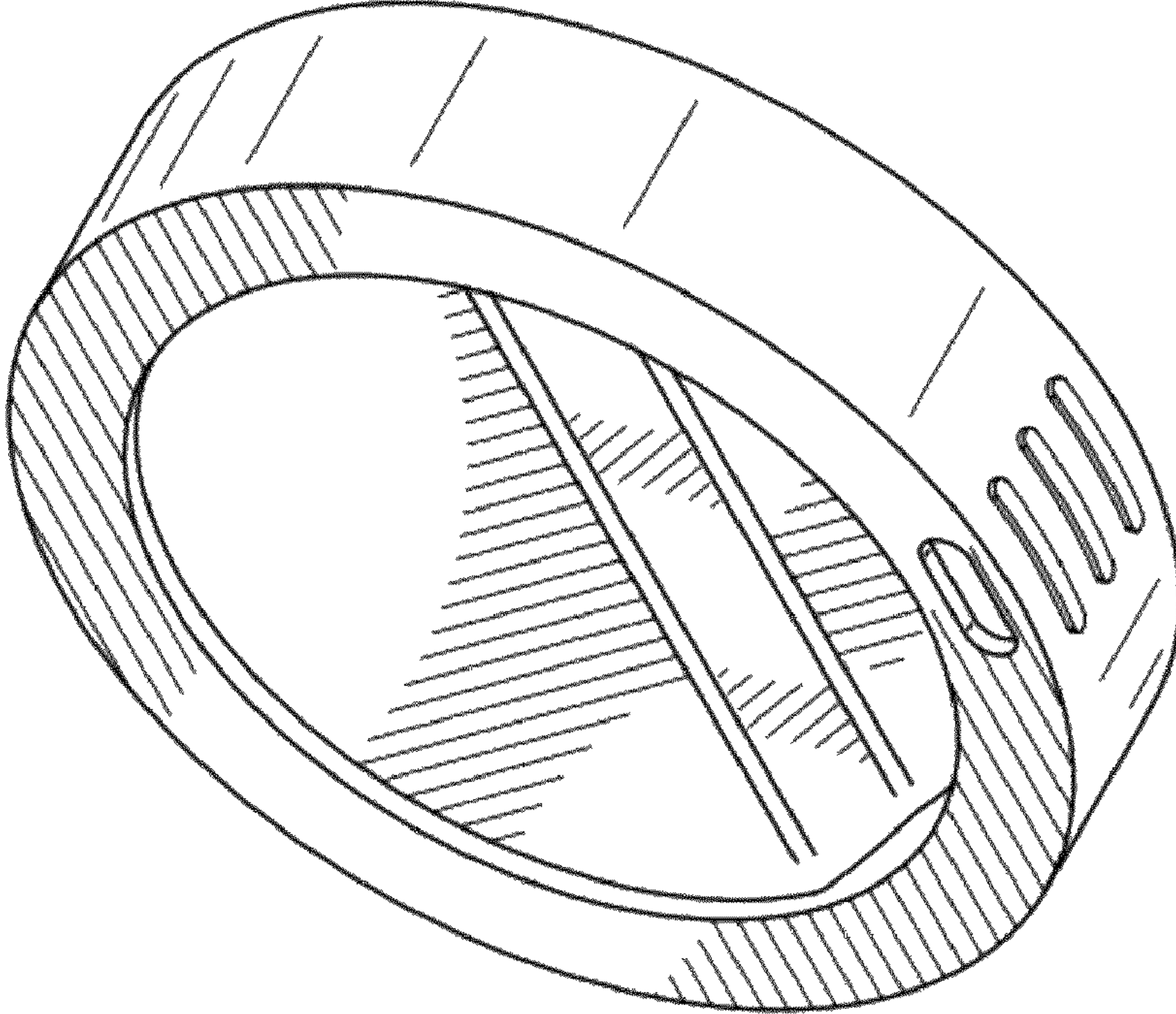


FIG. 1

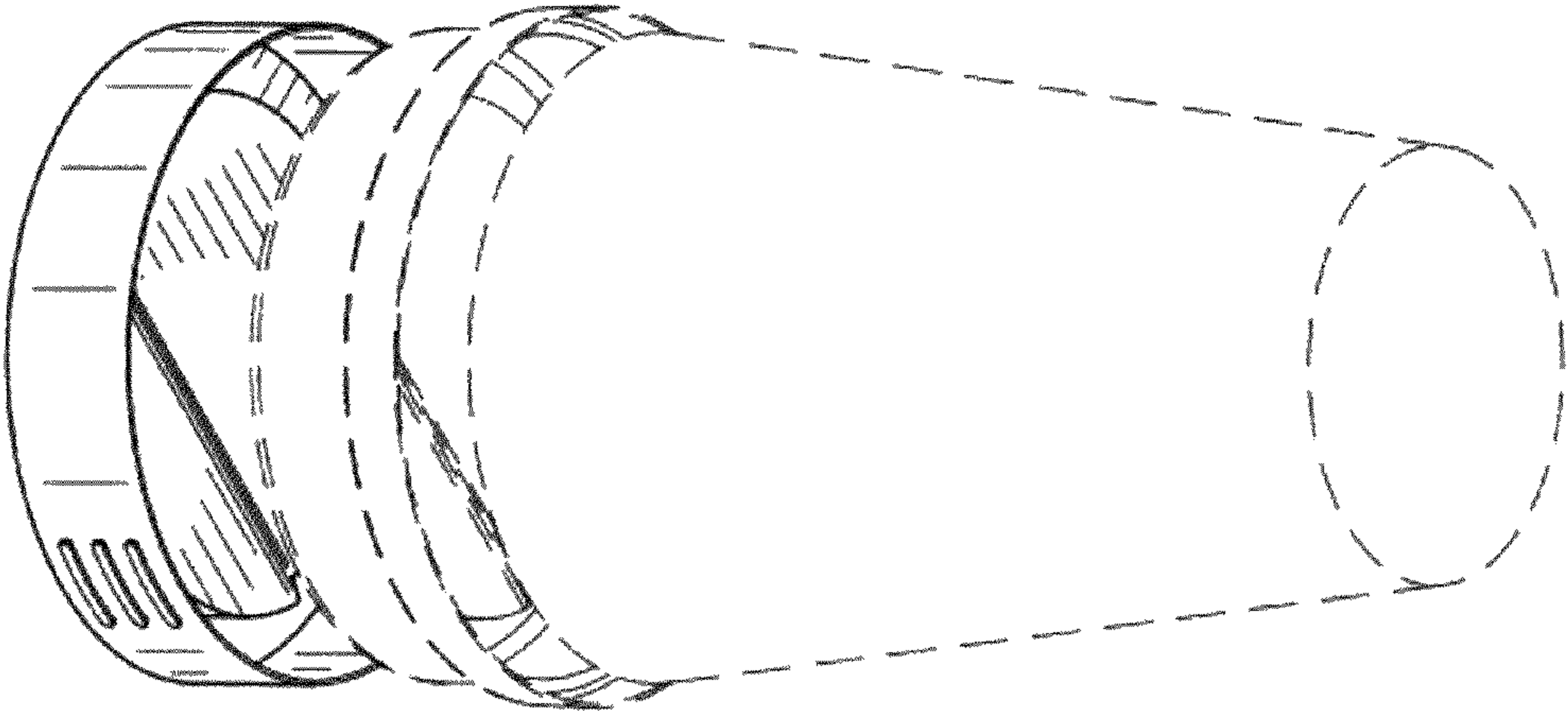


FIG. 4

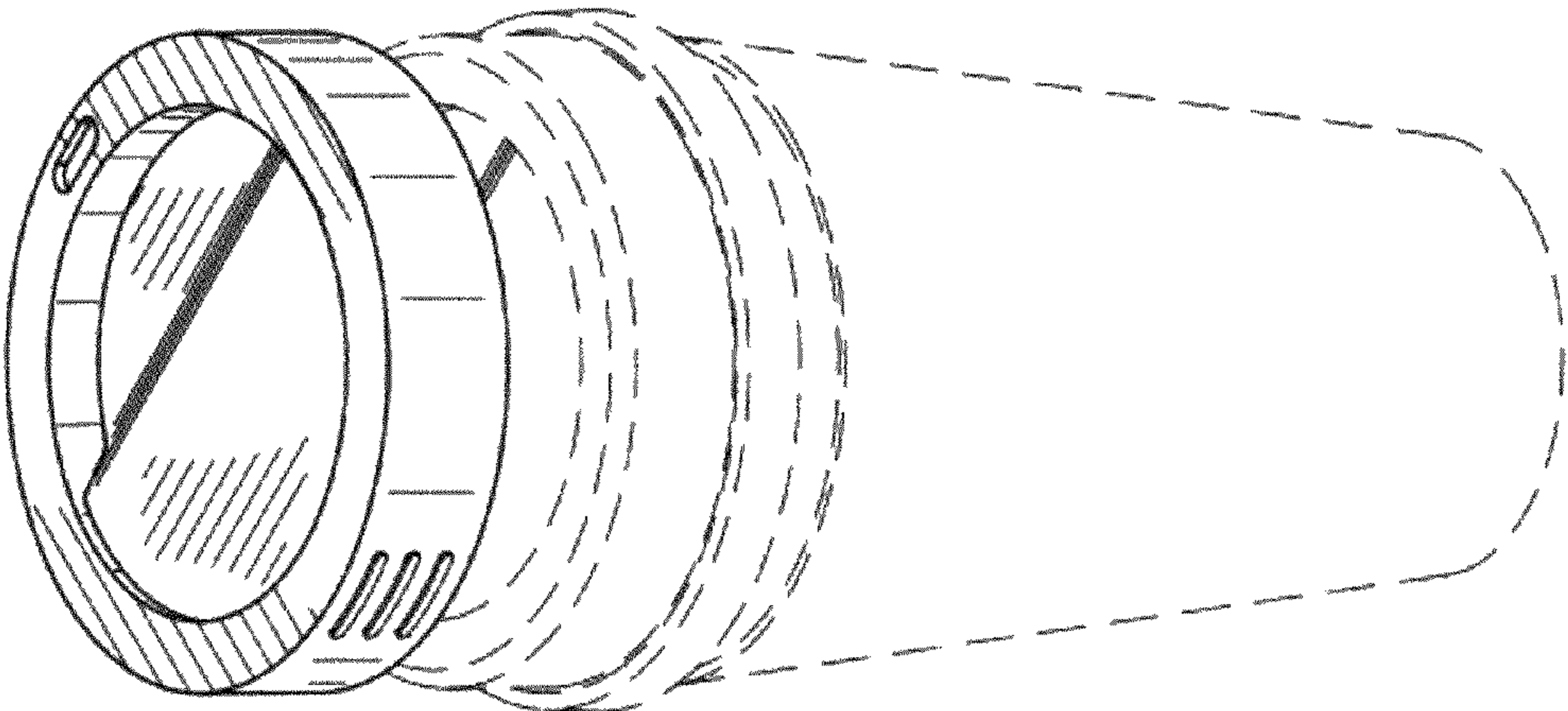


FIG. 3

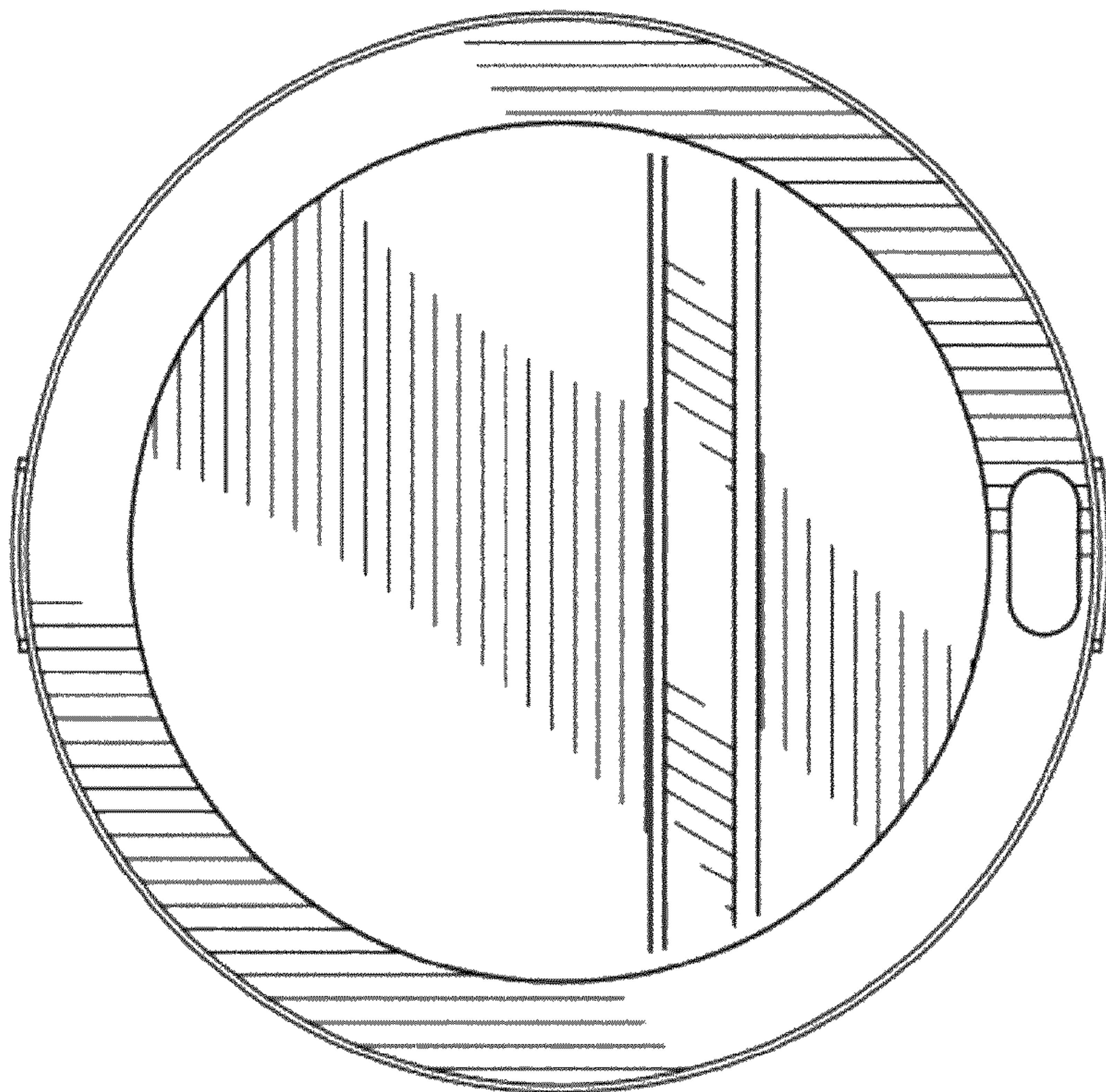


FIG. 5

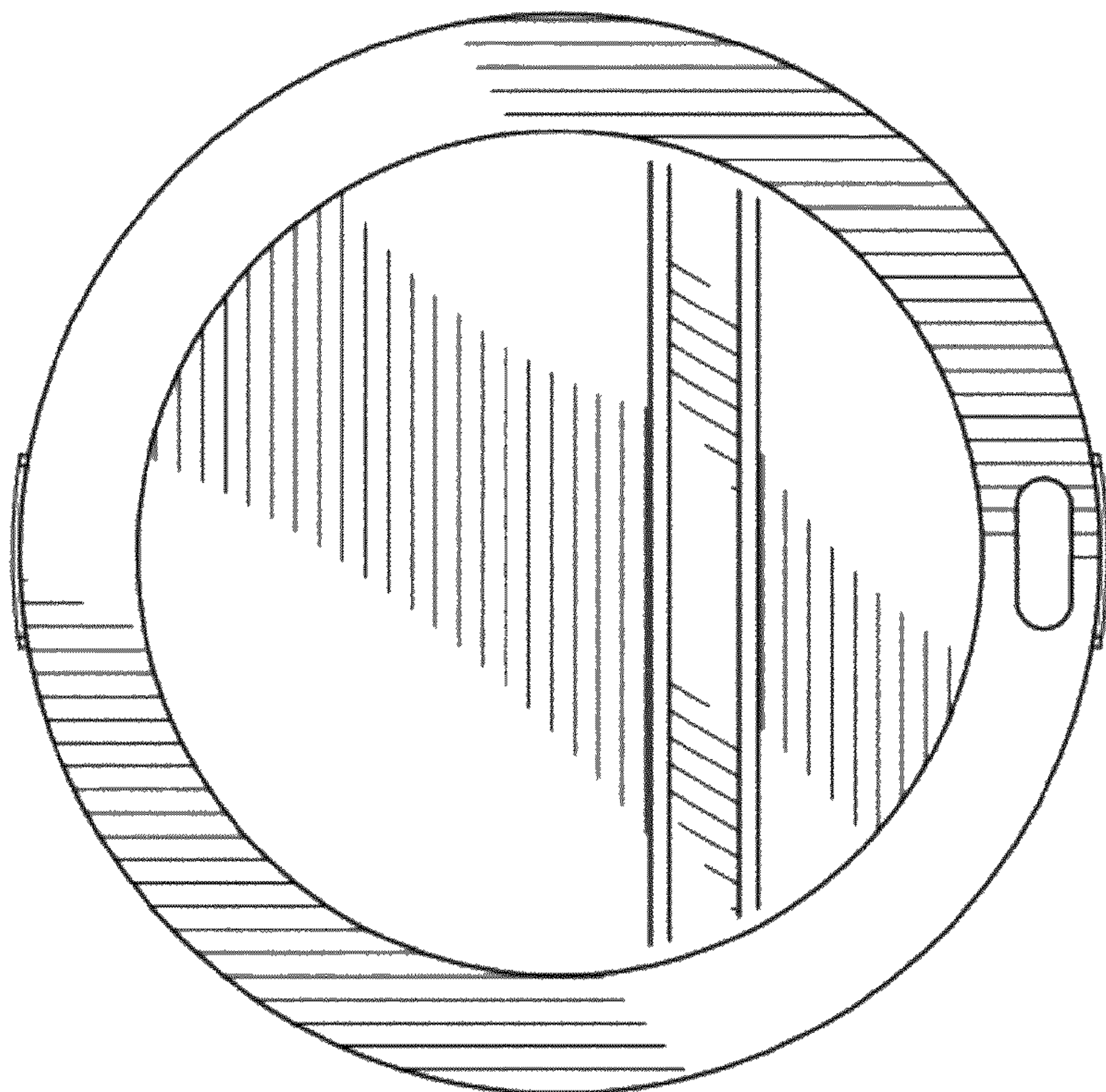


FIG. 6

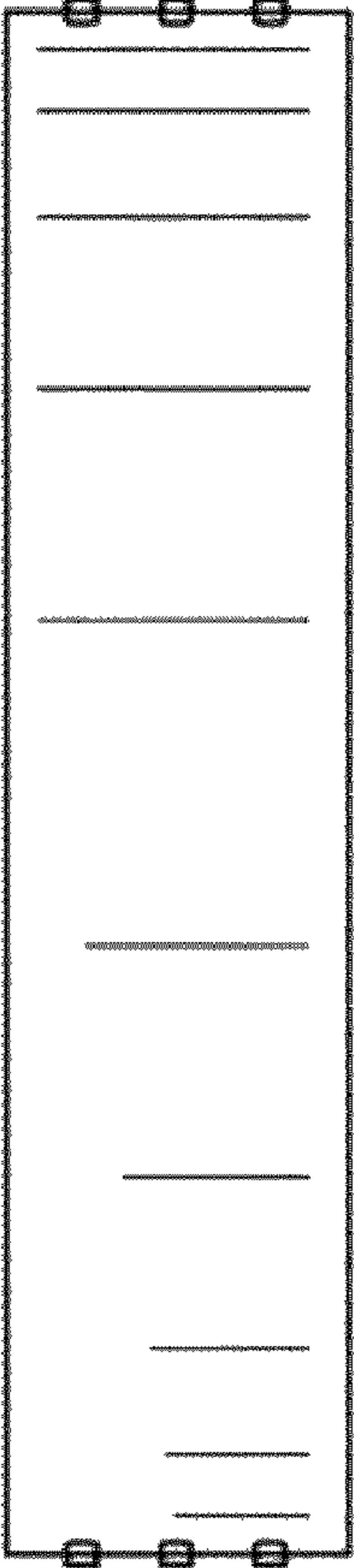


FIG. 7

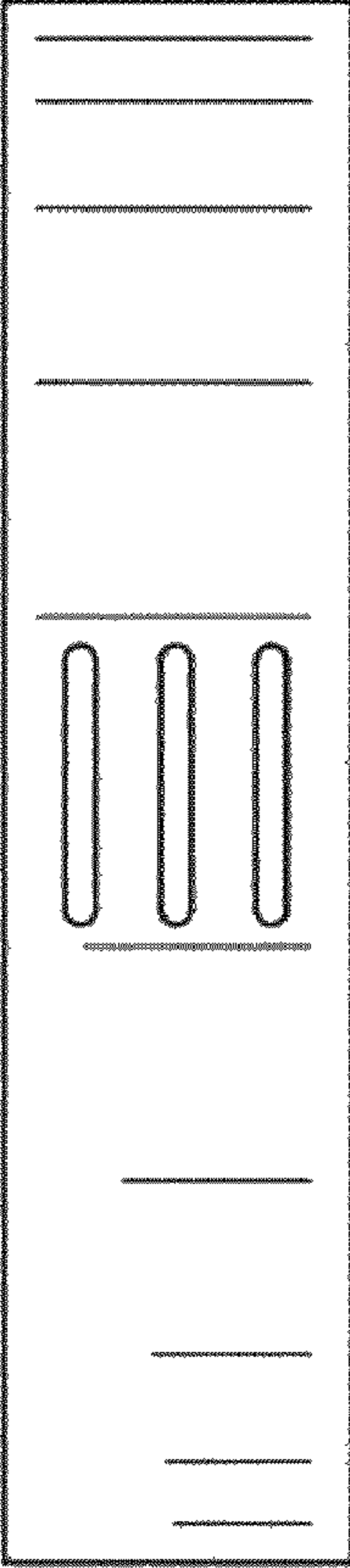


FIG. 8