



US00D655159S

(12) **United States Design Patent**  
**Killandi**

(10) **Patent No.:** **US D655,159 S**  
(45) **Date of Patent:** **\*\* Mar. 6, 2012**

(54) **COVER FOR FOOD CONTAINERS**

(75) Inventor: **Rait Killandi**, Tallinn (EE)

(73) Assignee: **Bravo One OÜ**, Tallinn (EE)

(\*\*) Term: **14 Years**

(21) Appl. No.: **29/393,059**

(22) Filed: **May 28, 2011**

(30) **Foreign Application Priority Data**

Nov. 29, 2010 (EM) ..... 001786666-0001  
Nov. 29, 2010 (EM) ..... 001786666-0002  
Nov. 29, 2010 (EM) ..... 001786666-0003

(51) **LOC (9) Cl.** ..... **09-07**

(52) **U.S. Cl.** ..... **D9/438; D9/435; D9/447**

(58) **Field of Classification Search** ..... D9/761,  
D9/737, 732, 707-710, 456, 453, 452, 435,  
D9/434, 425, 424, 416, 414; D3/304, 264;  
222/94, 107; 206/522, 219, 205

See application file for complete search history.

(56) **References Cited**

**U.S. PATENT DOCUMENTS**

3,448,888 A \* 6/1969 Collie et al. .... 220/781  
D260,486 S \* 9/1981 McMullan ..... D9/416  
D267,150 S \* 12/1982 Kinsell, Jr. .... D9/416  
D270,041 S \* 8/1983 Vestal ..... D9/416  
D283,593 S \* 4/1986 Hofer ..... D9/416  
D308,941 S \* 7/1990 Kong ..... D9/416  
5,899,333 A \* 5/1999 Williams et al. .... 206/469  
D412,114 S \* 7/1999 Hansen ..... D9/416  
D413,802 S \* 9/1999 Glover et al. .... D9/416  
D432,912 S \* 10/2000 Lubineau-Bigot et al. .... D9/416  
D479,954 S \* 9/2003 Kim ..... D7/629  
D513,175 S \* 12/2005 Fielder et al. .... D9/416

(Continued)

*Primary Examiner* — Susan Bennett Hattan

(74) *Attorney, Agent, or Firm* — Intellectual Property Law Group LLP

(57) **CLAIM**

The ornamental design for cover for food containers, as shown and described.

**DESCRIPTION**

FIG. 1 is a perspective view of a first embodiment of a cover for food containers showing my new design, the thick broken lines on the cover indicating perforations forming a tab and the thin broken lines showing a container depicting environment only and forming no part of the claimed design;

FIG. 2 shows a container thereof filled with a product and an inserted utensil, the broken lines forming no part of the claimed design;

FIG. 3 is a top plan view of FIG. 1;

FIG. 4 is a perspective view of FIG. 1 showing a tab portion opening;

FIG. 5 is a perspective view of FIG. 1 showing the tab portion open, the broken lines showing an inserted utensil depicting environment only and forming no part of the claimed design;

FIG. 6 is a perspective view of a second embodiment of a cover for food containers showing my new design, the thick broken lines on the cover indicating perforations forming a tab and the thin broken lines showing a container depicting environment only and forming no part of the claimed design;

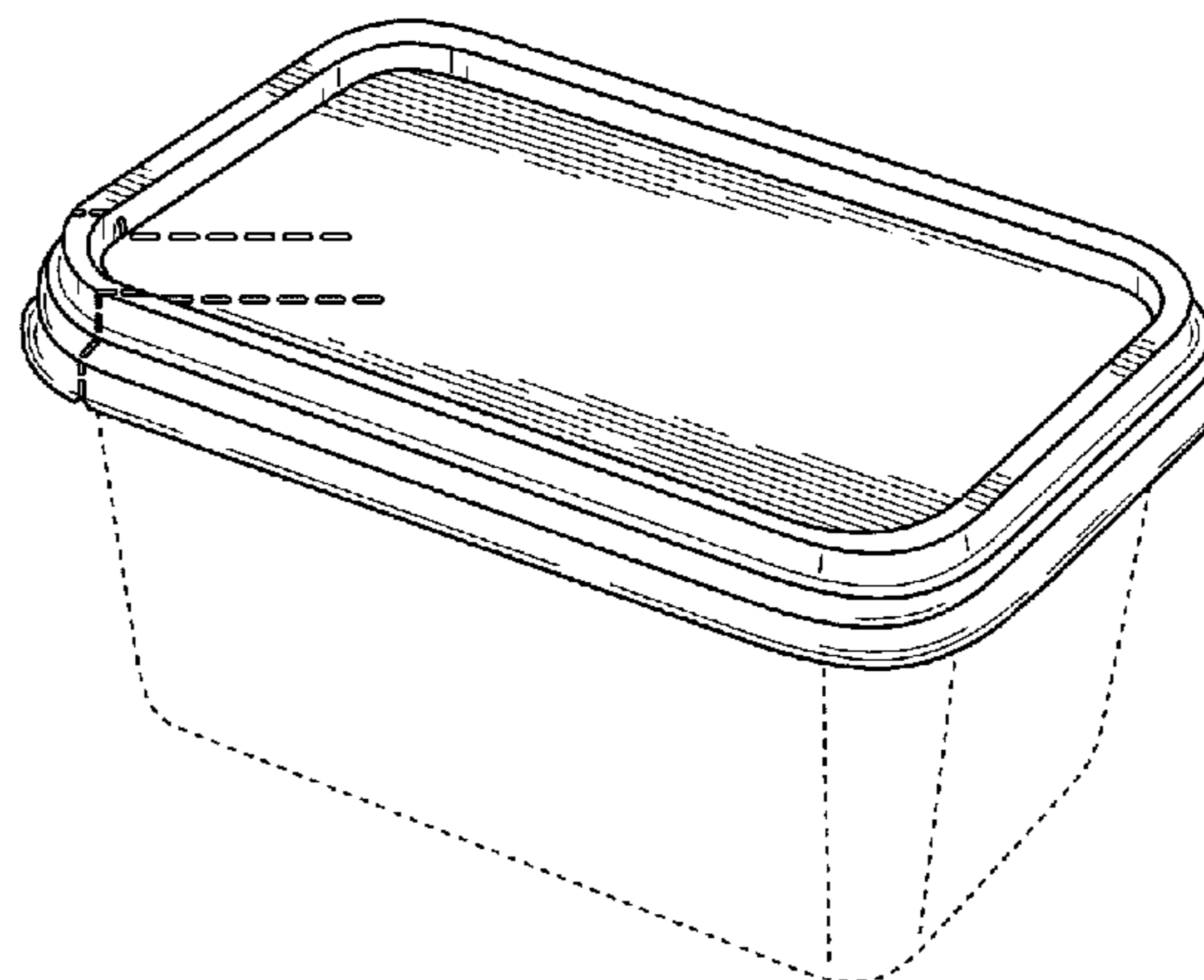
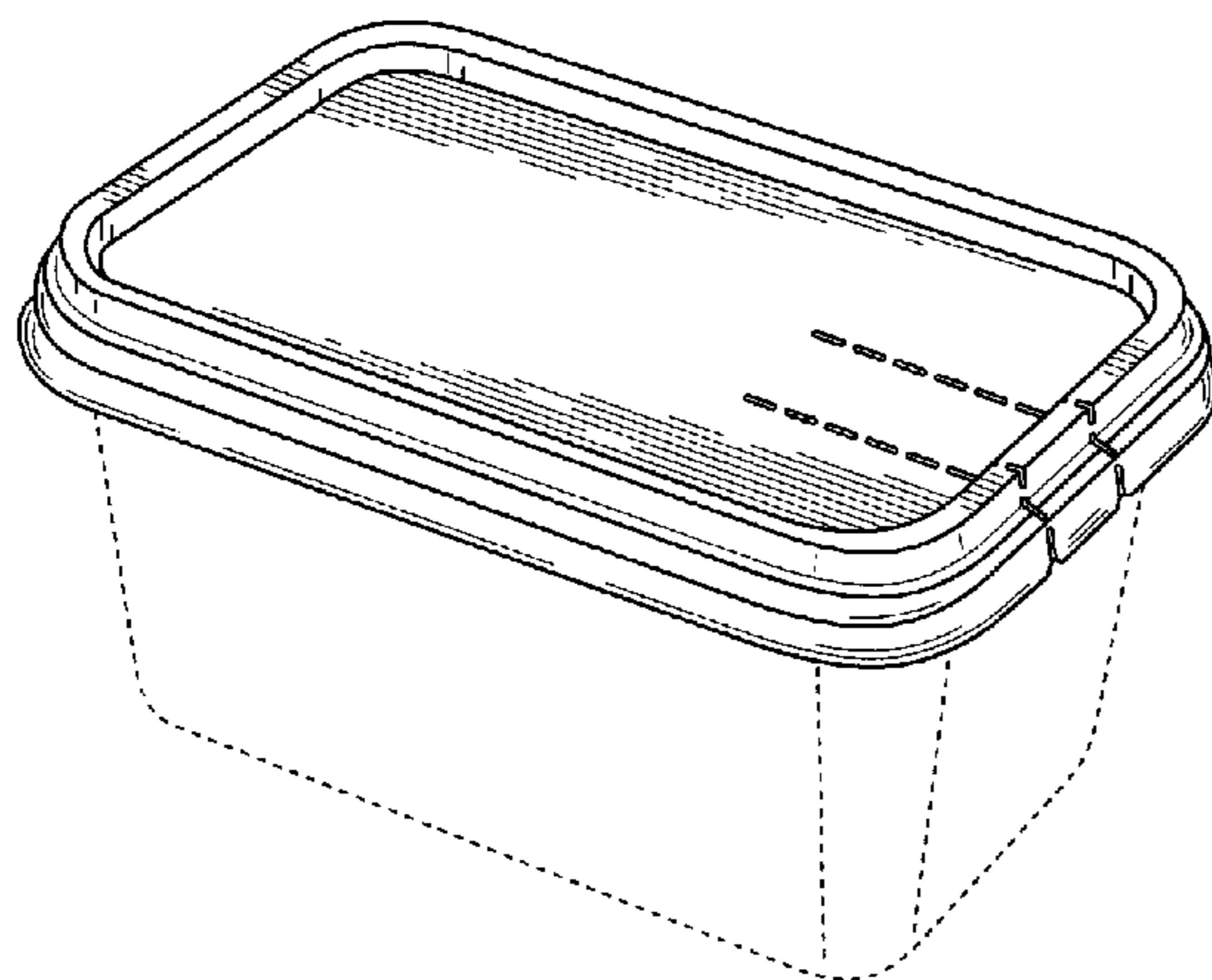
FIG. 7 shows a container thereof filled with a product and an inserted utensil, the broken lines forming no part of the claimed design;

FIG. 8 is a top plan view of FIG. 6;

FIG. 9 is a perspective view of FIG. 6 showing a tab portion opening; and,

FIG. 10 is a perspective view of FIG. 6 showing the tab portion open, the broken lines showing an inserted utensil depicting environment only and forming no part of the claimed design.

**1 Claim, 4 Drawing Sheets**



# US D655,159 S

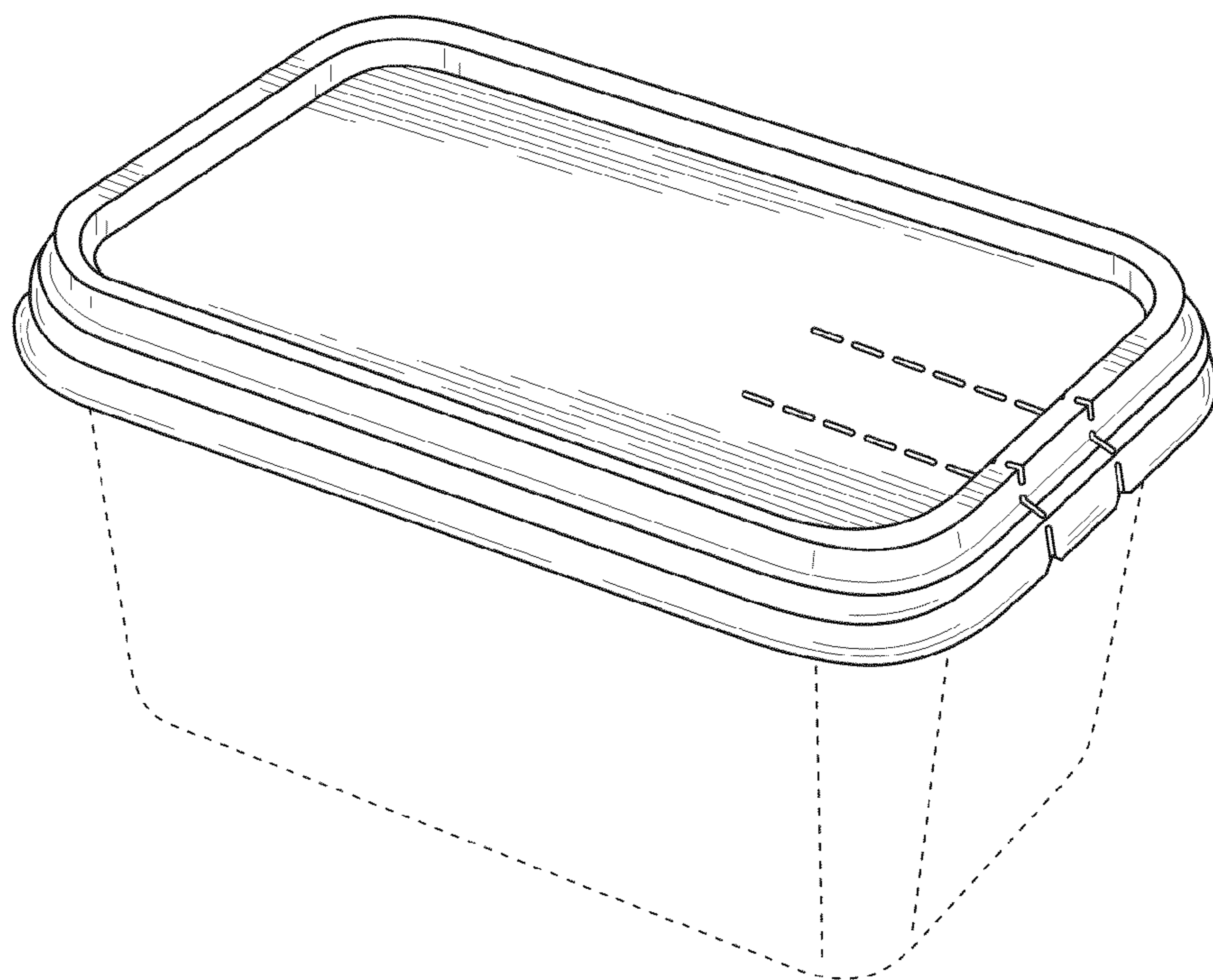
Page 2

---

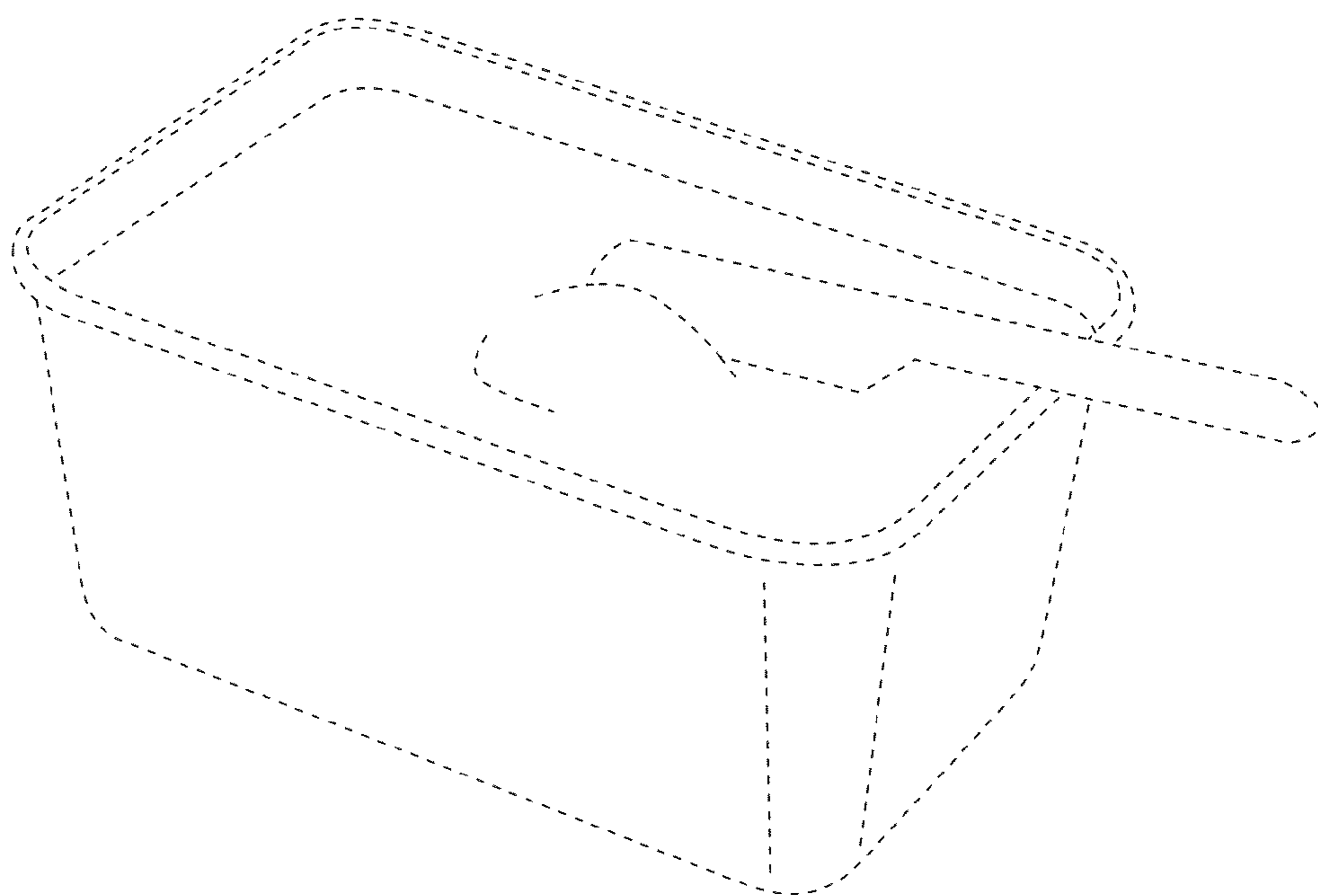
## U.S. PATENT DOCUMENTS

D560,488 S *	1/2008	Rust et al. ....	D9/414	D605,940 S *	12/2009	Lin .....	D9/435
D571,200 S *	6/2008	Bouveret et al. ....	D9/435	D612,722 S *	3/2010	Bougoulas et al. ....	D9/435
D588,914 S *	3/2009	Laurieu-Tedeschi .....	D9/435	D620,256 S *	7/2010	Fujimura et al. ....	D3/294
D600,113 S *	9/2009	Edwards et al. ....	D9/425	D627,219 S *	11/2010	Golota et al. ....	D9/424
D600,114 S *	9/2009	Nomura .....	D9/425	D629,202 S *	12/2010	Wai .....	D3/294

\* cited by examiner



**FIG. 1**



**FIG. 2**

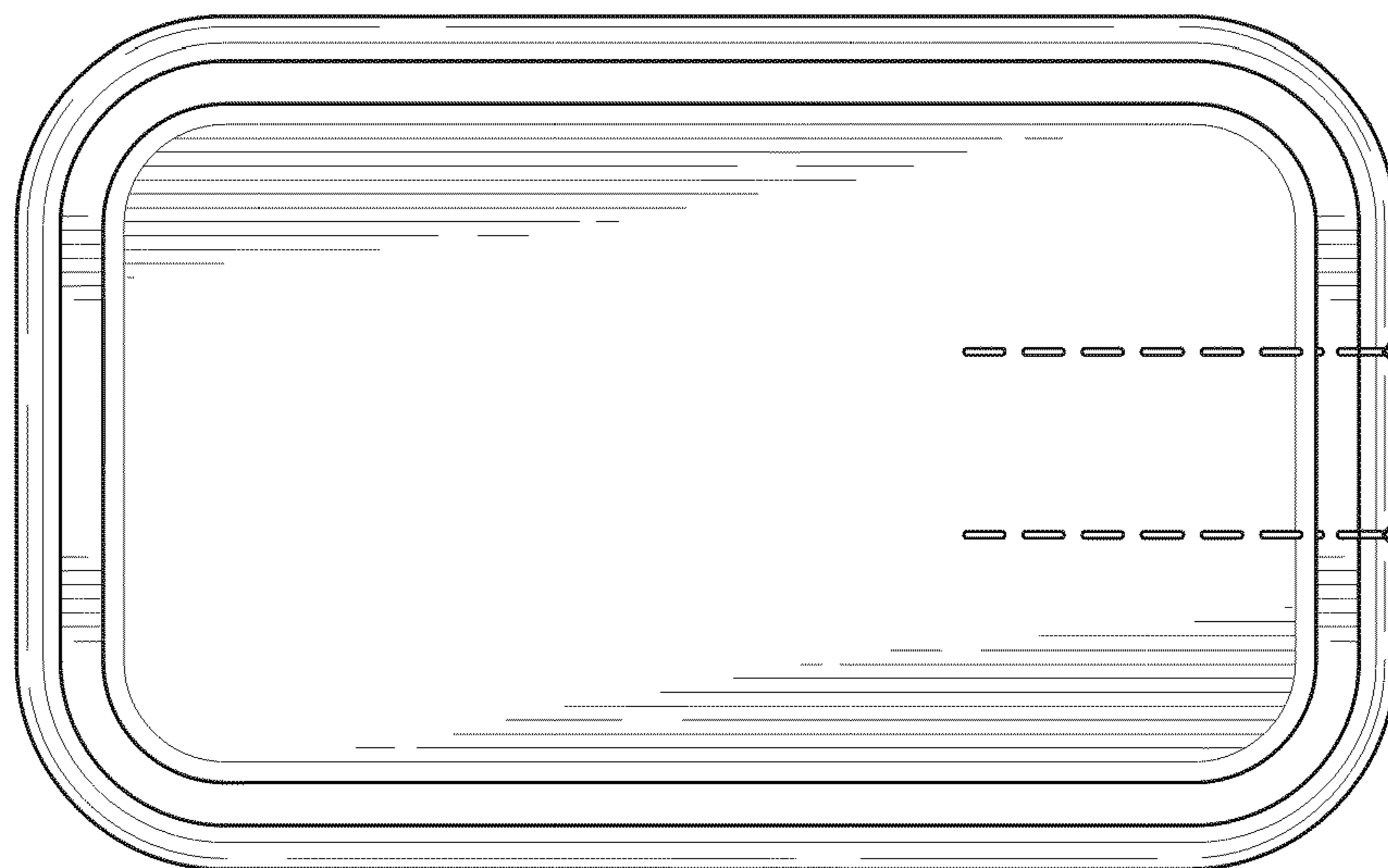


FIG. 3

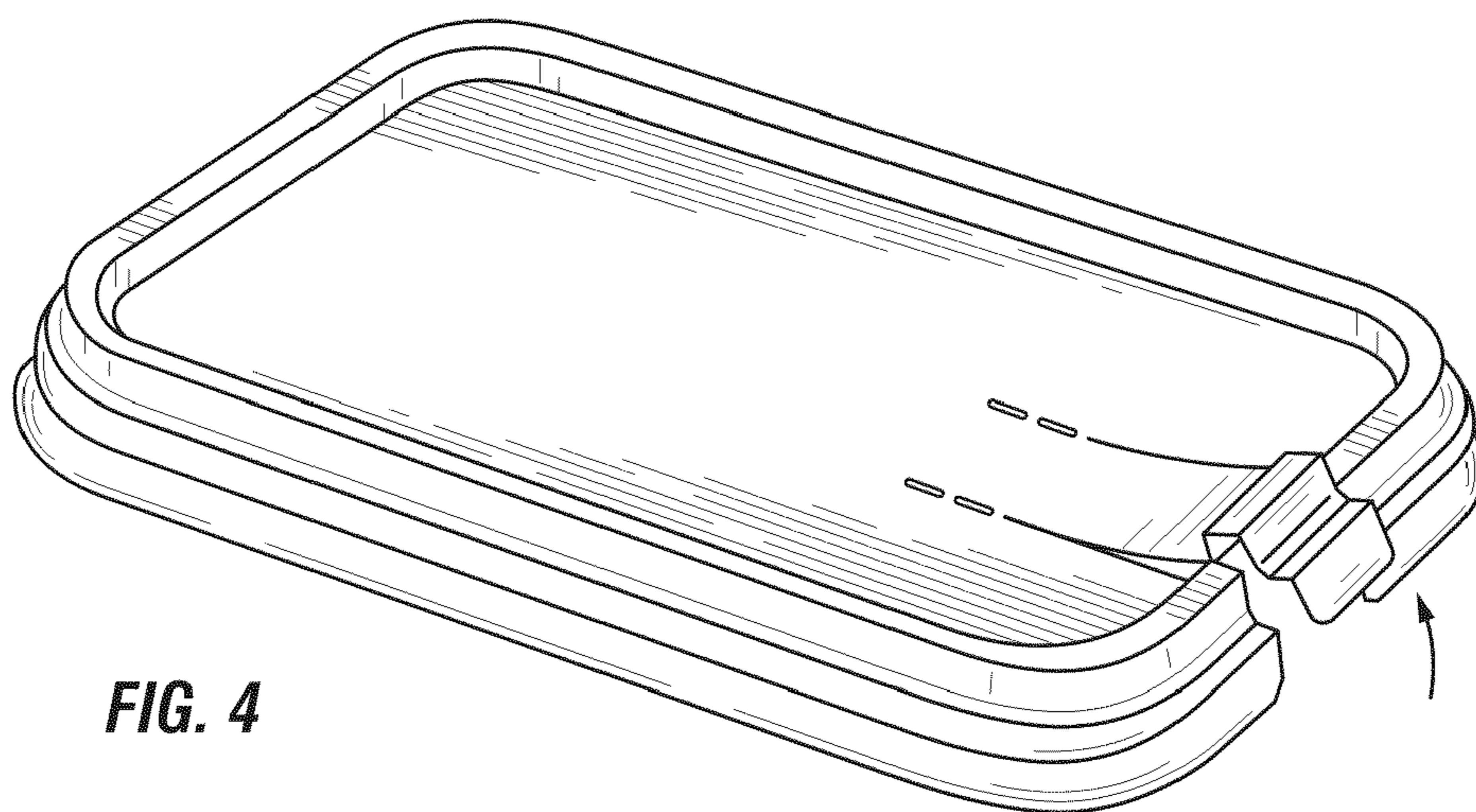


FIG. 4

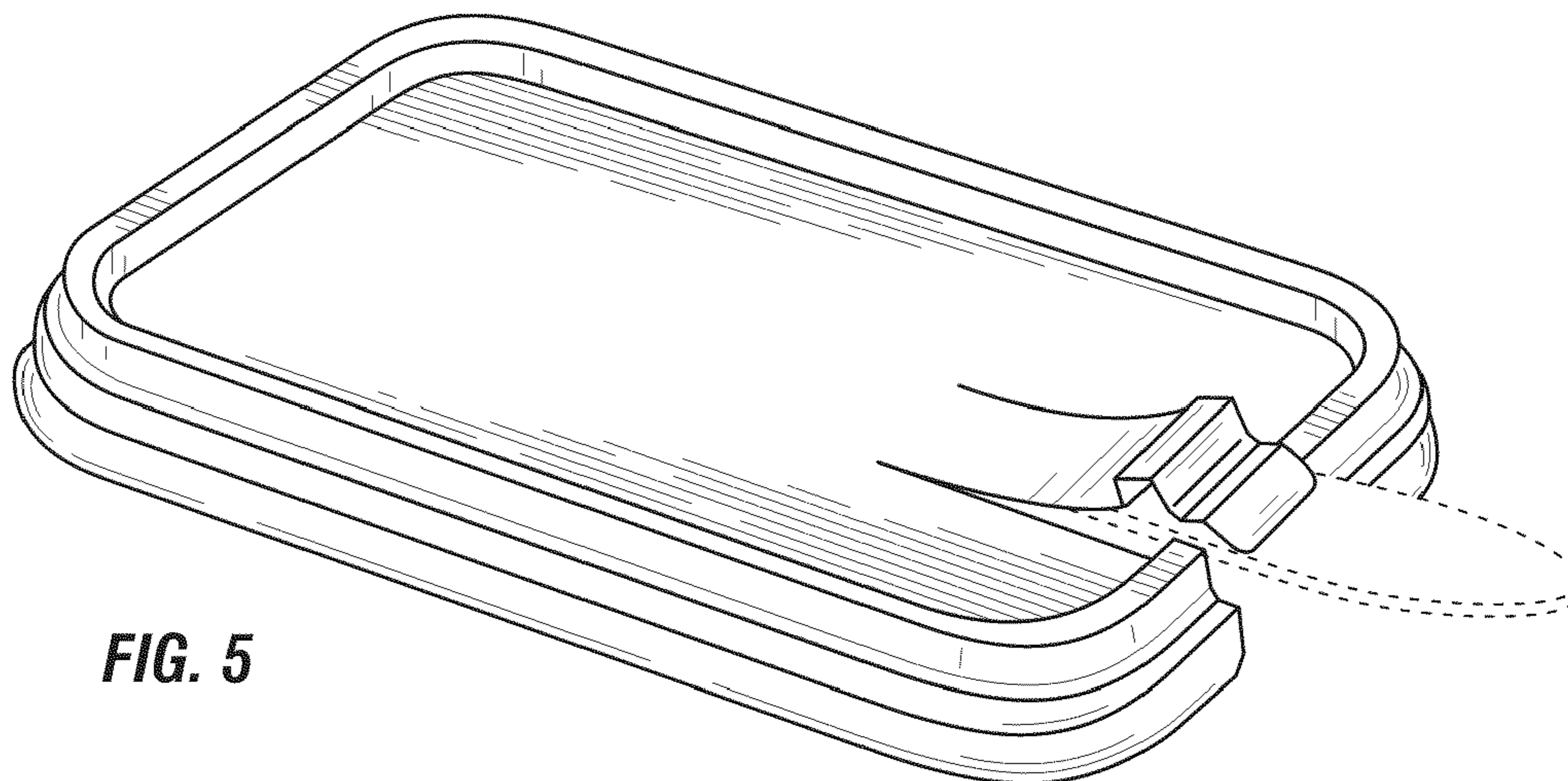
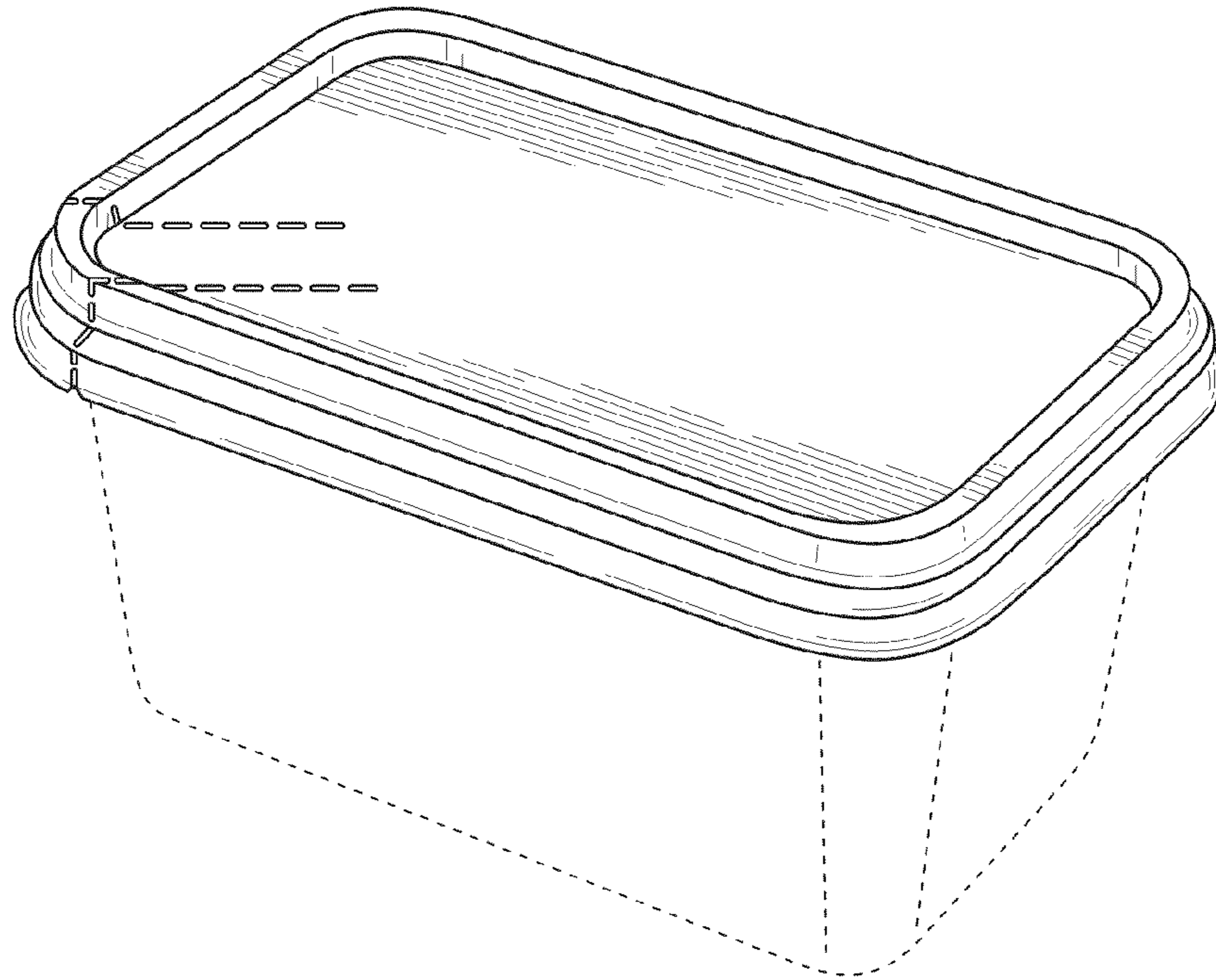
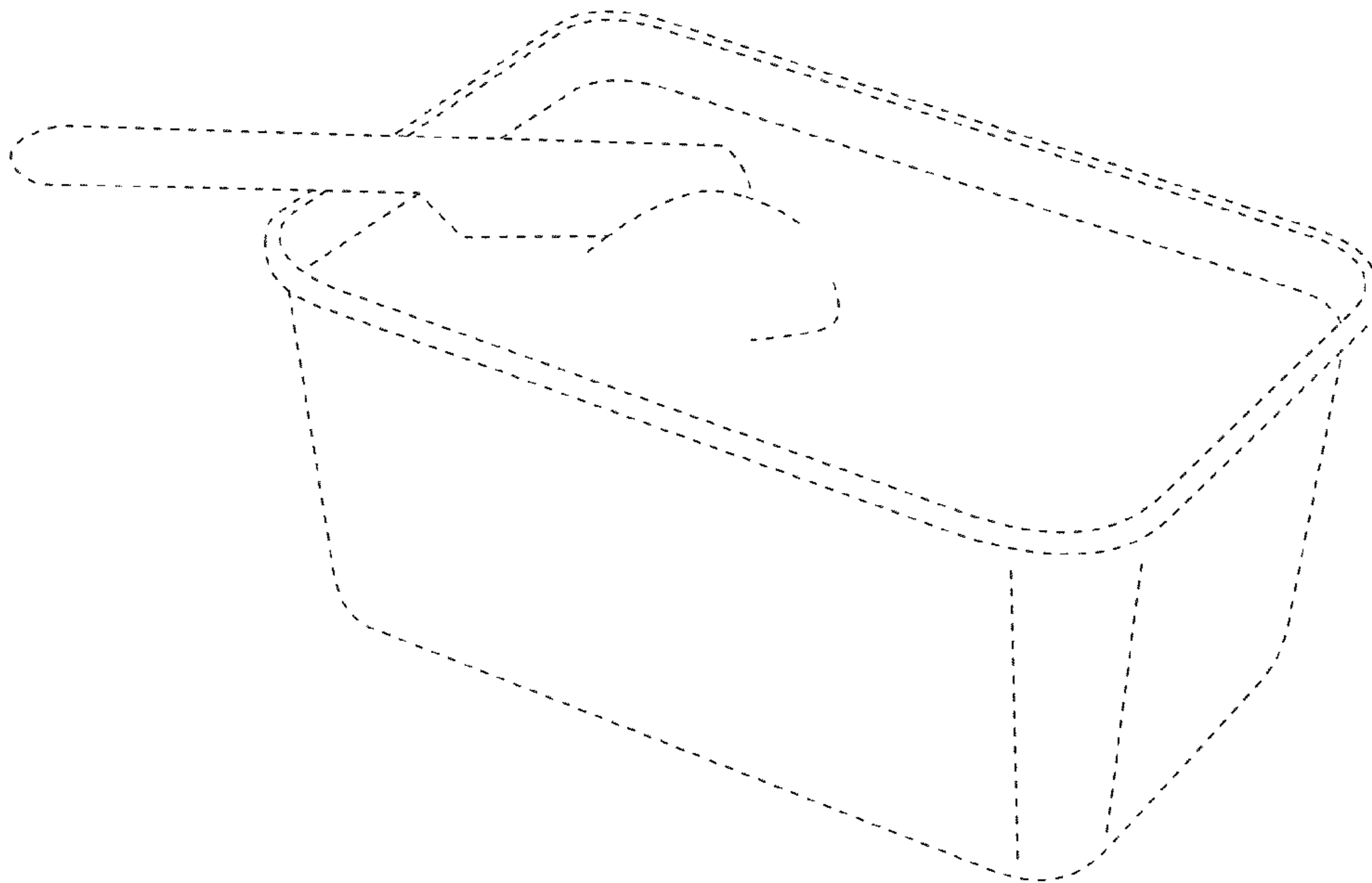


FIG. 5



**FIG. 6**



**FIG. 7**

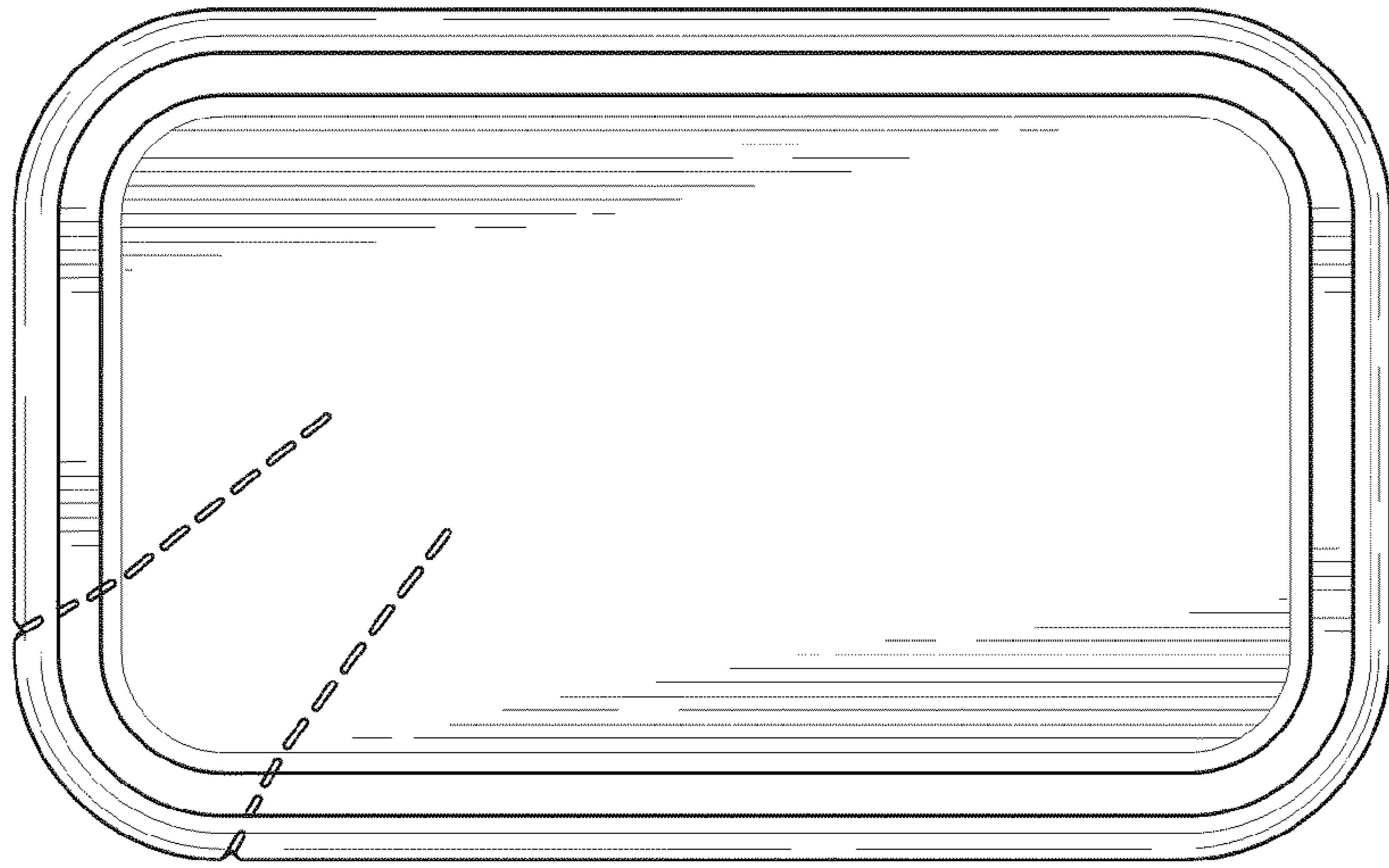


FIG. 8

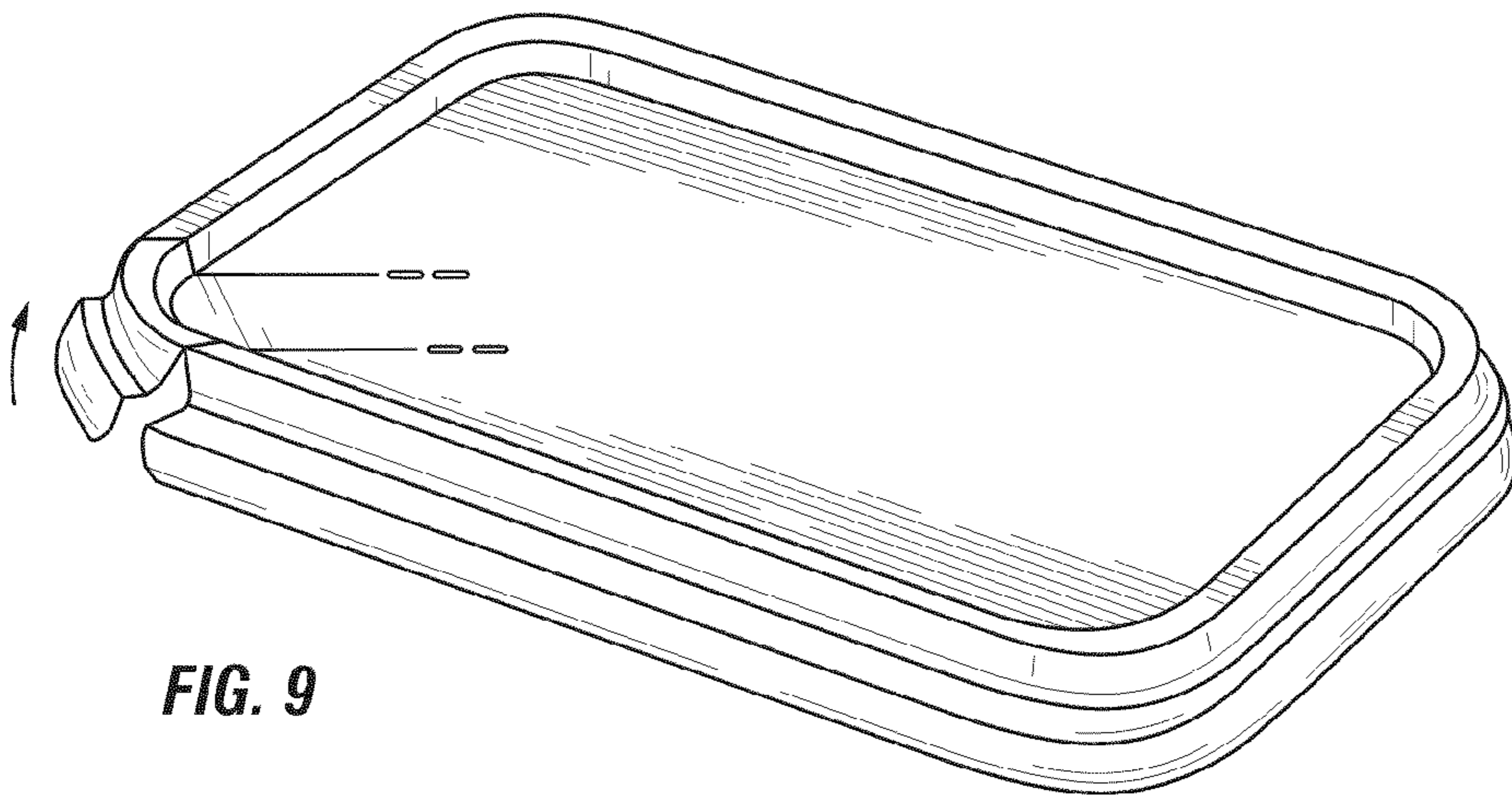


FIG. 9

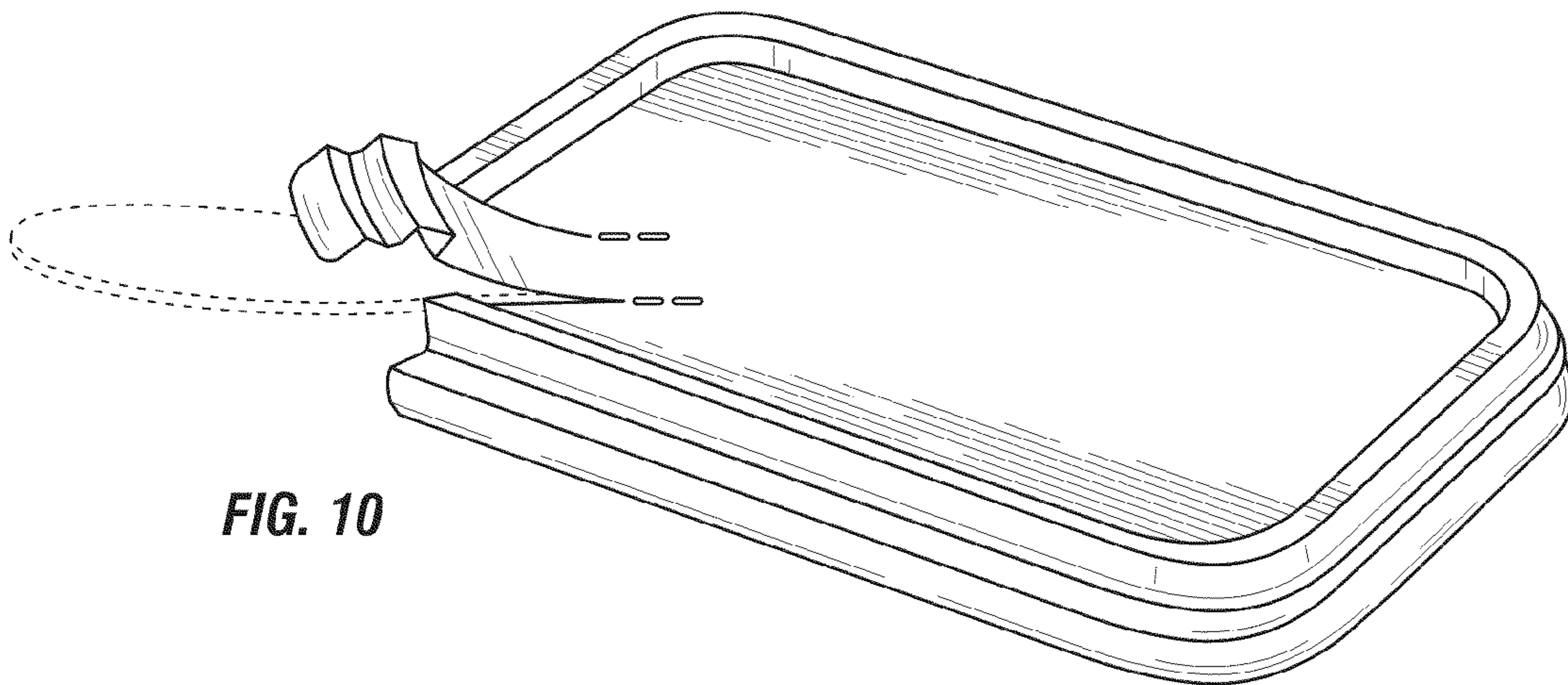


FIG. 10