



US00D655158S

(12) **United States Design Patent**
Drozek et al.

(10) **Patent No.:** **US D655,158 S**
(45) **Date of Patent:** **** Mar. 6, 2012**

(54) **PACKAGE TRAY**
(75) Inventors: **Michael A. Drozek**, Palatine, IL (US);
George A. Golota, Glenview, IL (US);
John E. Sanfilippo, Barrington Hills, IL (US)
(73) Assignee: **Clear Lam Packaging, Inc.**, Elk Grove Village, IL (US)

5,377,858 A * 1/1995 Morris, Sr. 220/254.8
D362,180 S * 9/1995 Haines D9/532
D403,582 S * 1/1999 Nask et al. D9/435
D403,583 S * 1/1999 Nask et al. D9/435
D445,641 S * 7/2001 Conti D7/392.1
D446,117 S * 8/2001 Conti D9/435
D448,606 S * 10/2001 Conti D7/392.1
D448,969 S * 10/2001 Conti D7/392.1
D540,669 S * 4/2007 George et al. D9/435
2004/0020929 A1 2/2004 Morris
2006/0060578 A1 3/2006 Church et al.

(**) Term: **14 Years**
(21) Appl. No.: **29/339,265**

FOREIGN PATENT DOCUMENTS

JP H11-321904 A 11/1999
WO 19980002362 A2 1/1998

(22) Filed: **Jun. 26, 2009**
(51) **LOC (9) Cl.** **09-07**
(52) **U.S. Cl.** **D9/435**
(58) **Field of Classification Search** D9/424,
D9/425, 431-438, 443-446, 532, 418, 756,
D9/755; D7/392.1, 629, 391, 601, 554.2;
220/254.8, 556; 206/305, 447, 518, 508;
299/406

* cited by examiner

Primary Examiner — Robert M Spear
Assistant Examiner — Rashida C McCoy
(74) *Attorney, Agent, or Firm* — Cardinal Law Group

See application file for complete search history.

(57) **CLAIM**
The ornamental design for a package tray, as shown and described.

(56) **References Cited**

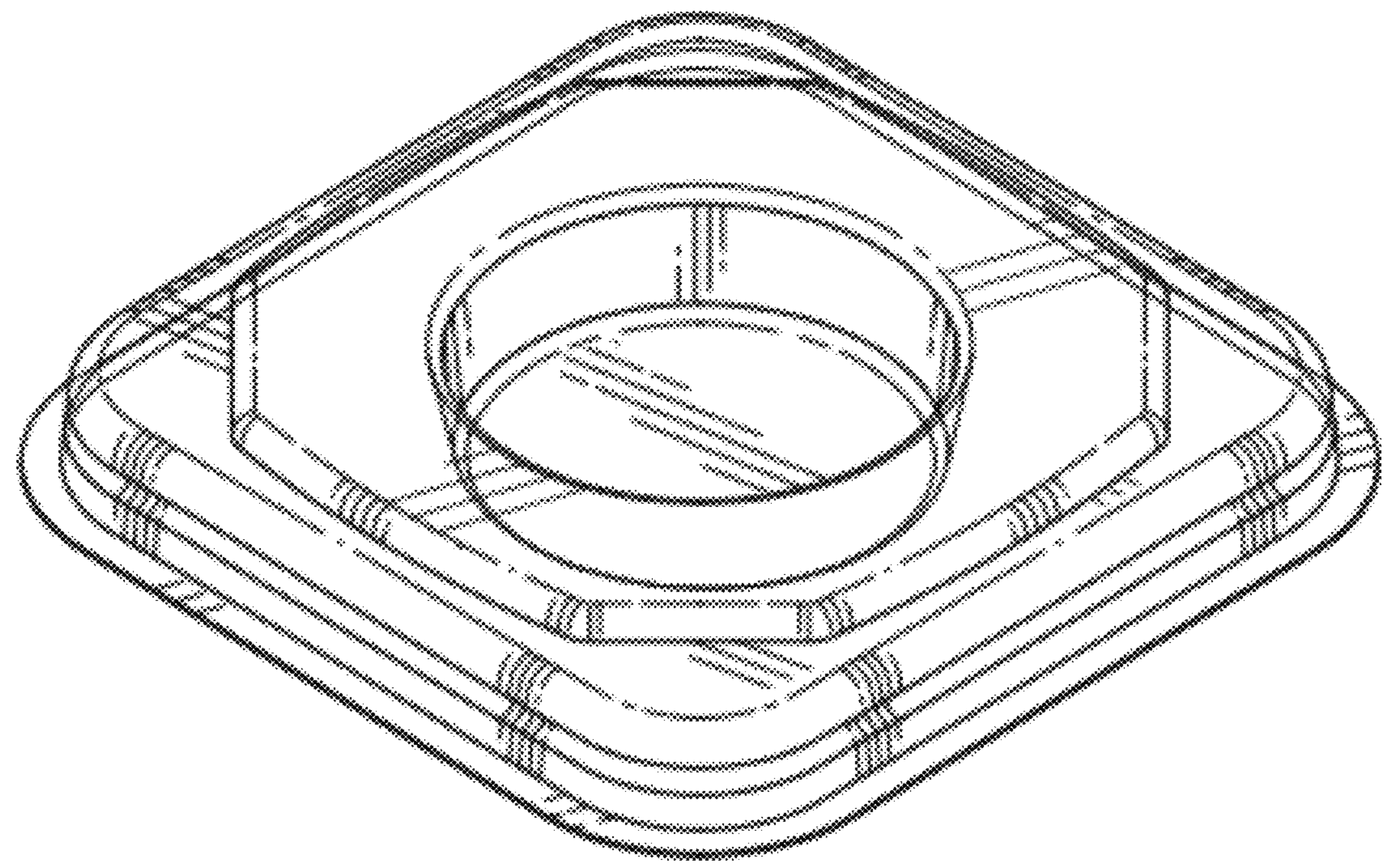
DESCRIPTION

U.S. PATENT DOCUMENTS

D34,569 S * 5/1901 Tatum D9/424
3,136,413 A * 6/1964 Hall 206/305
3,737,093 A * 6/1973 Amberg et al. 206/447
D232,703 S * 9/1974 Konzi D9/424
4,854,472 A 8/1989 Semersky

FIG. 1 is a perspective view of the top of the package tray;
FIG. 2 is a perspective view of the bottom of the package tray;
FIG. 3 is a top view of the package tray;
FIG. 4 is a bottom view of the package tray; and,
FIGS. 5-8 are side views of the package tray.

1 Claim, 5 Drawing Sheets



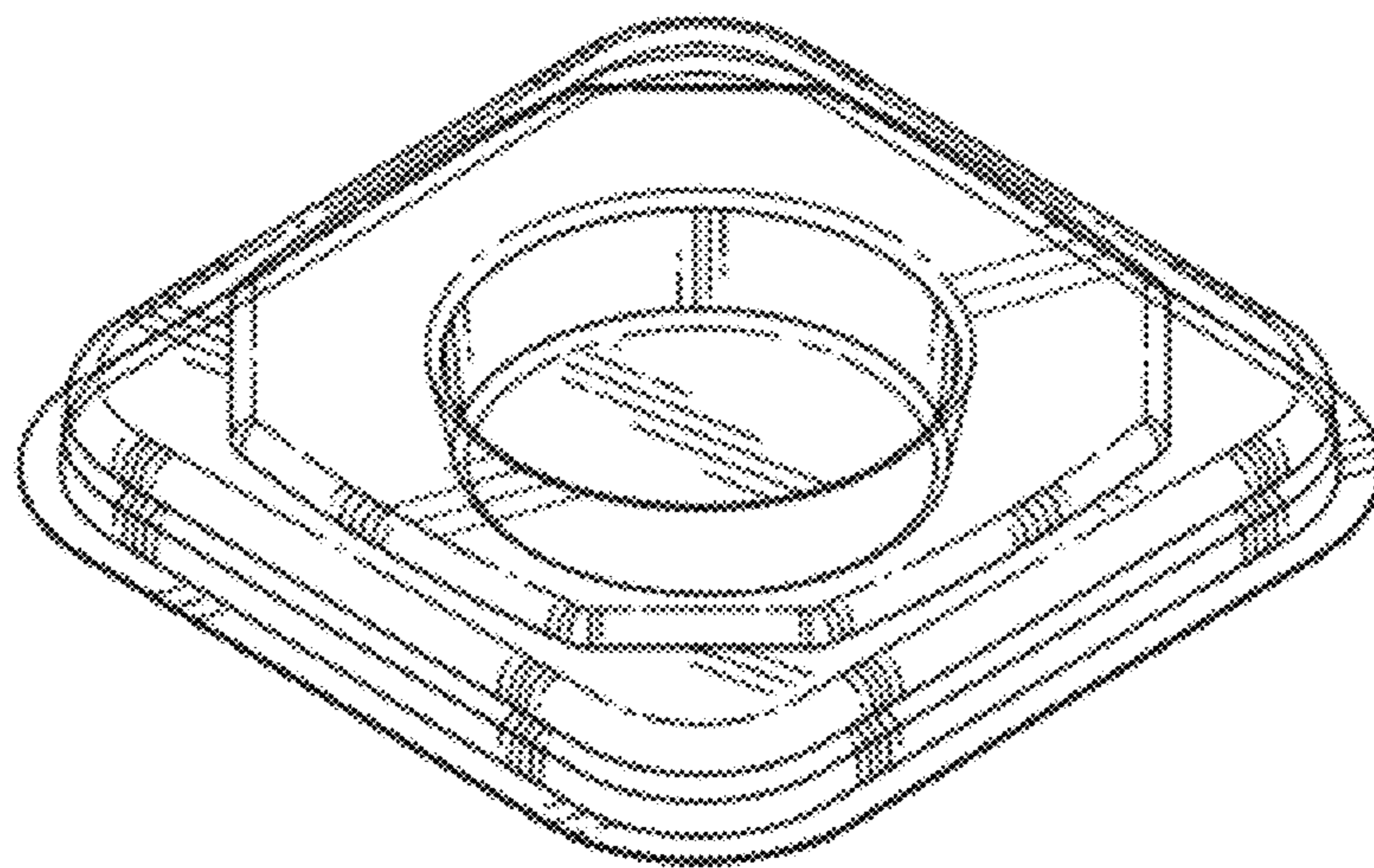


FIG. 1

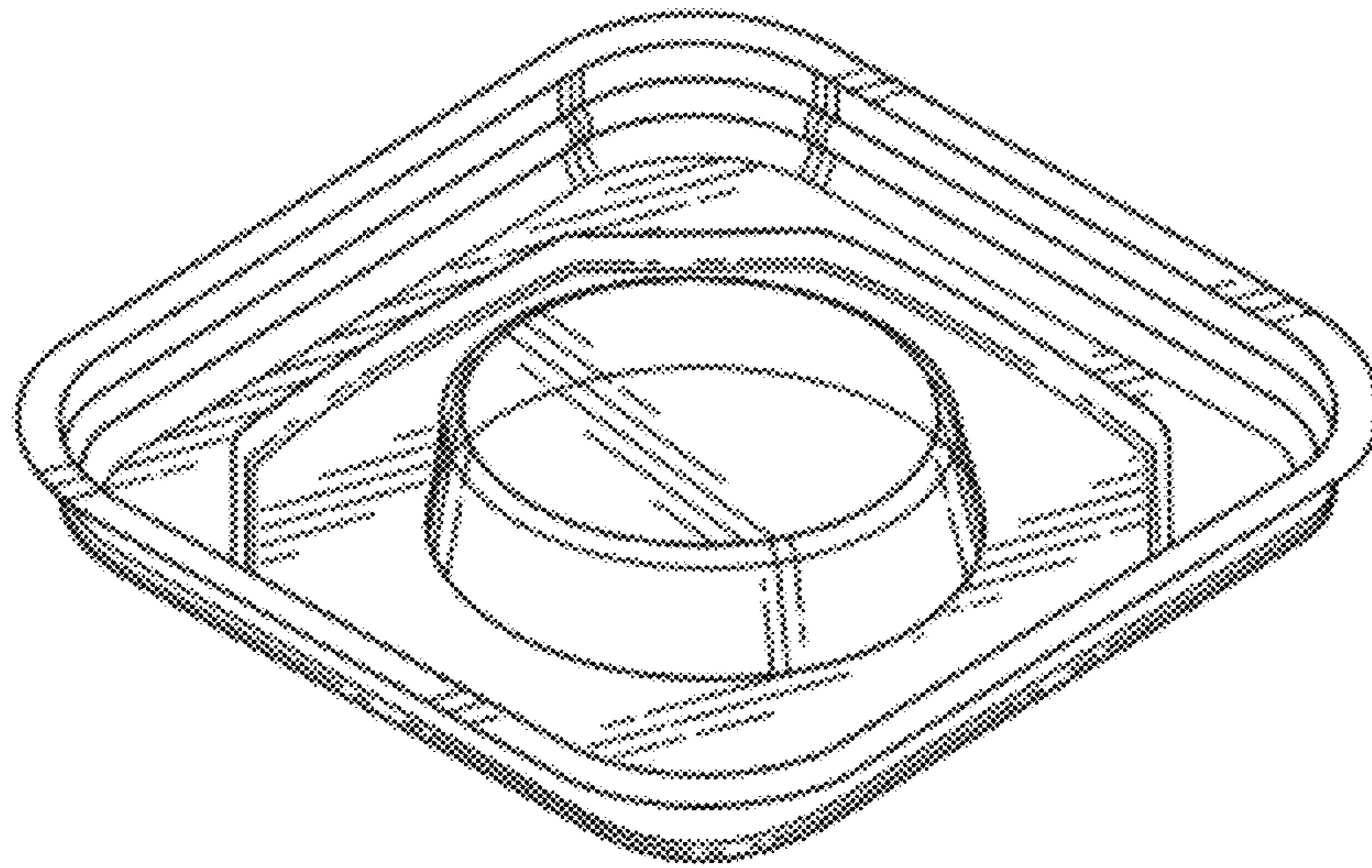


FIG. 2

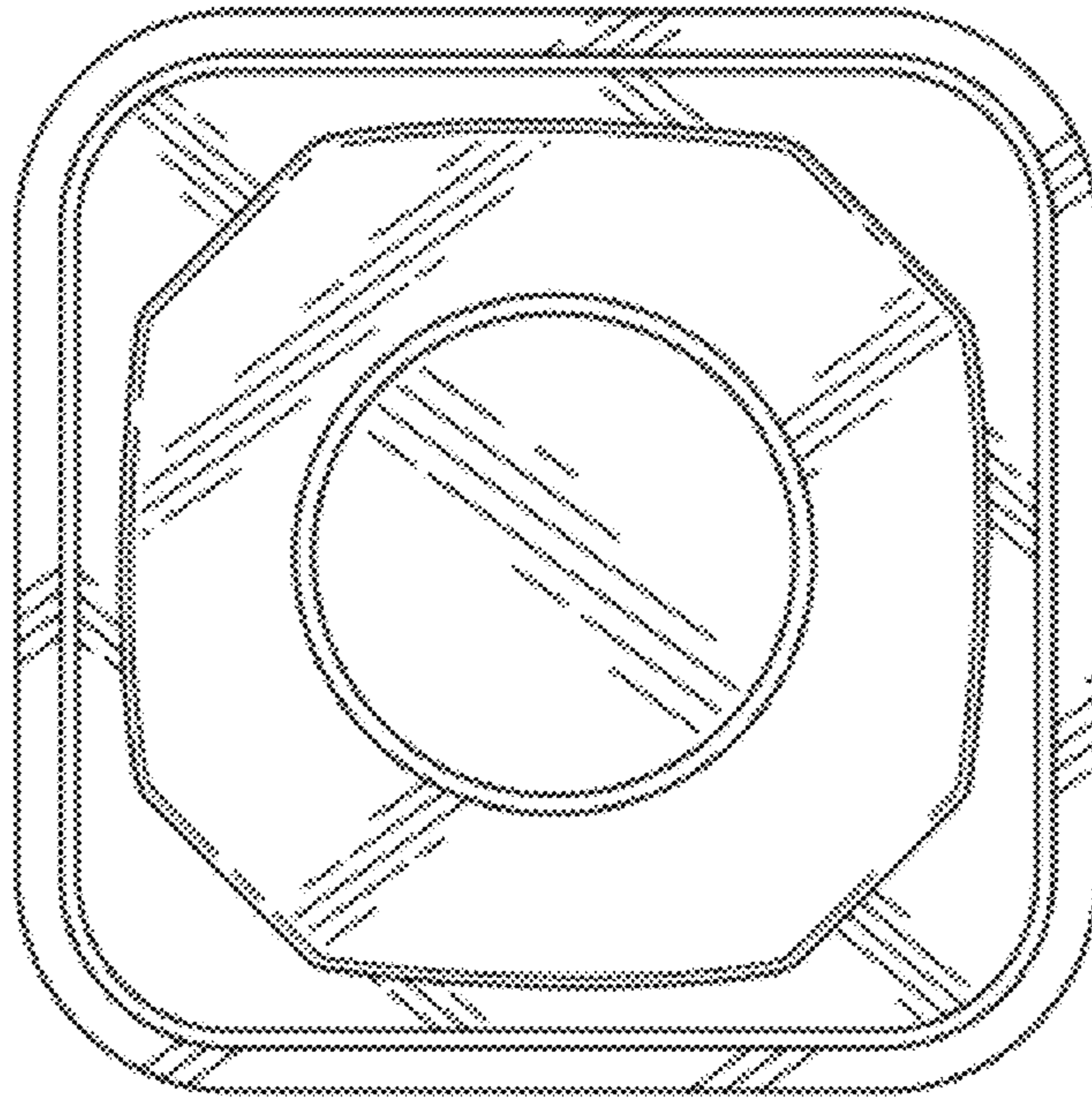


FIG. 3

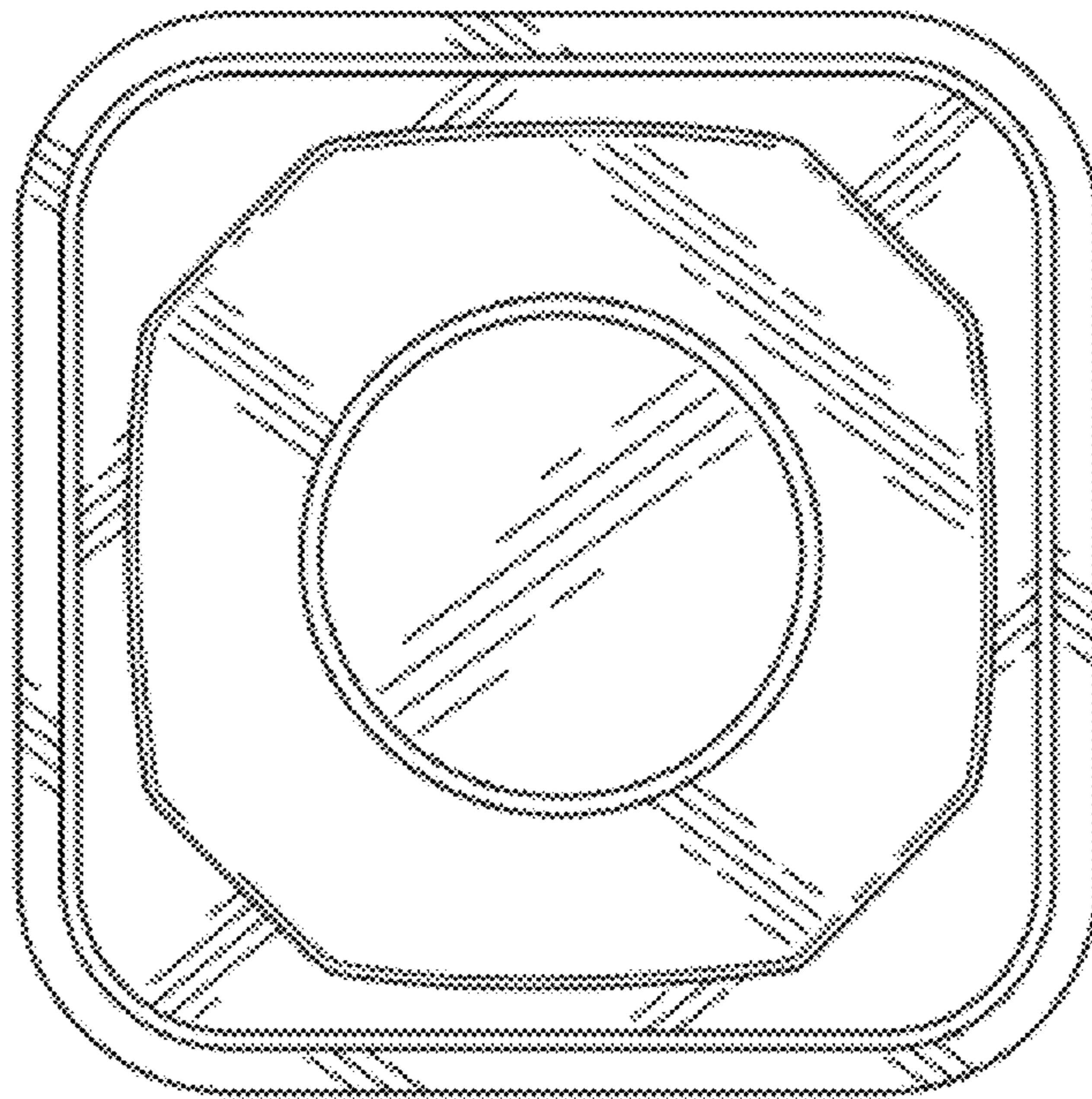


FIG. 4



FIG. 5



FIG. 6

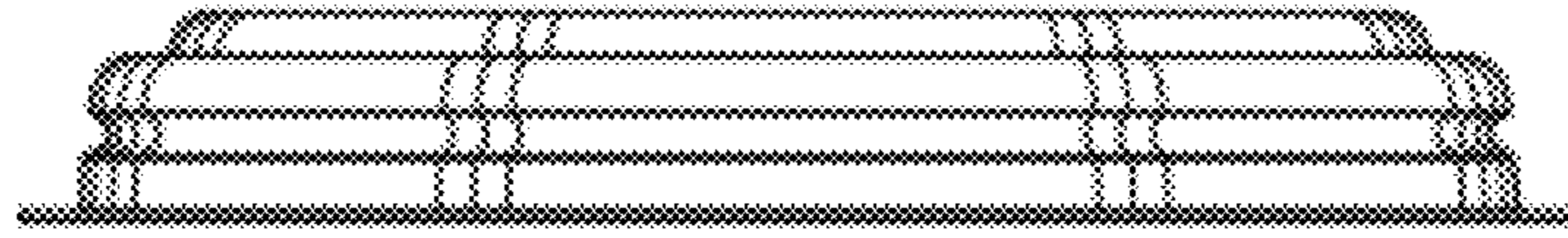


FIG. 7



FIG. 8