



US00D655154S

(12) **United States Design Patent**  
**Amos et al.**

(10) **Patent No.:** **US D655,154 S**  
(45) **Date of Patent:** **\*\* Mar. 6, 2012**

(54) **PACKAGE**

(75) Inventors: **Gregory Y. Amos**, Richmond, VA (US);  
**James D. Evans**, Chesterfield, VA (US);  
**Robert L. Kikkert**, Charles City, VA  
(US); **H. Cary Longest, Jr.**, Midlothian,  
VA (US); **Travis M. Garthaffner**,  
Midlothian, VA (US); **Christopher J.**  
**Hession**, Mechanicsville, VA (US)

3,563,449 A 2/1971 Forbes, Jr. et al.  
3,685,717 A 8/1972 Seiferth et al.  
3,901,386 A 8/1975 Hennessey  
3,987,891 A 10/1976 Horvath  
D242,844 S 12/1976 Seiferth et al.  
4,003,467 A 1/1977 Focket et al.  
D251,361 S 3/1979 Adreon

(Continued)

(73) Assignee: **Philip Morris USA Inc.**, Richmond, VA  
(US)

Amos et al., U.S. Appl. No. 29/311,483, entitled "Package" filed Mar.  
30, 2009.

(Continued)

(\*\*) Term: **14 Years**

(21) Appl. No.: **29/353,152**

*Primary Examiner* — Thomas Johannes

(74) *Attorney, Agent, or Firm* — Buchanan Ingersoll &  
Rooney PC

(22) Filed: **Jan. 4, 2010**

**Related U.S. Application Data**

(63) Continuation-in-part of application No. 29/311,483,  
filed on Mar. 30, 2009, now abandoned.

(51) **LOC (9) Cl.** ..... **09-03**

(52) **U.S. Cl.** ..... **D9/425; D9/407**

(58) **Field of Classification Search** ..... D9/414,  
D9/415, 416, 418, 424, 425, 430, 432, 407;  
206/528, 531; 220/9.1, 9.4, 890  
See application file for complete search history.

(57) **CLAIM**

The ornamental design for a package, as shown and  
described.

**DESCRIPTION**

FIG. 1 is a perspective view of a package according to a first  
embodiment of our new design, the other side being a mirror  
image thereof.

FIG. 2 is a rear elevational view thereof.

FIG. 3 is a front elevational view thereof.

FIG. 4 is a right side elevational view thereof, the other side  
being a mirror image thereof.

FIG. 5 is a top plan view thereof.

FIG. 6 is a bottom plan view thereof.

FIG. 7 is a perspective view of a package according to a  
second embodiment of our new design, the other side being a  
mirror image thereof.

FIG. 8 is a rear elevational view thereof.

FIG. 9 is a front elevational view thereof.

FIG. 10 is a right side elevational view thereof, the other side  
being a mirror image thereof; and,

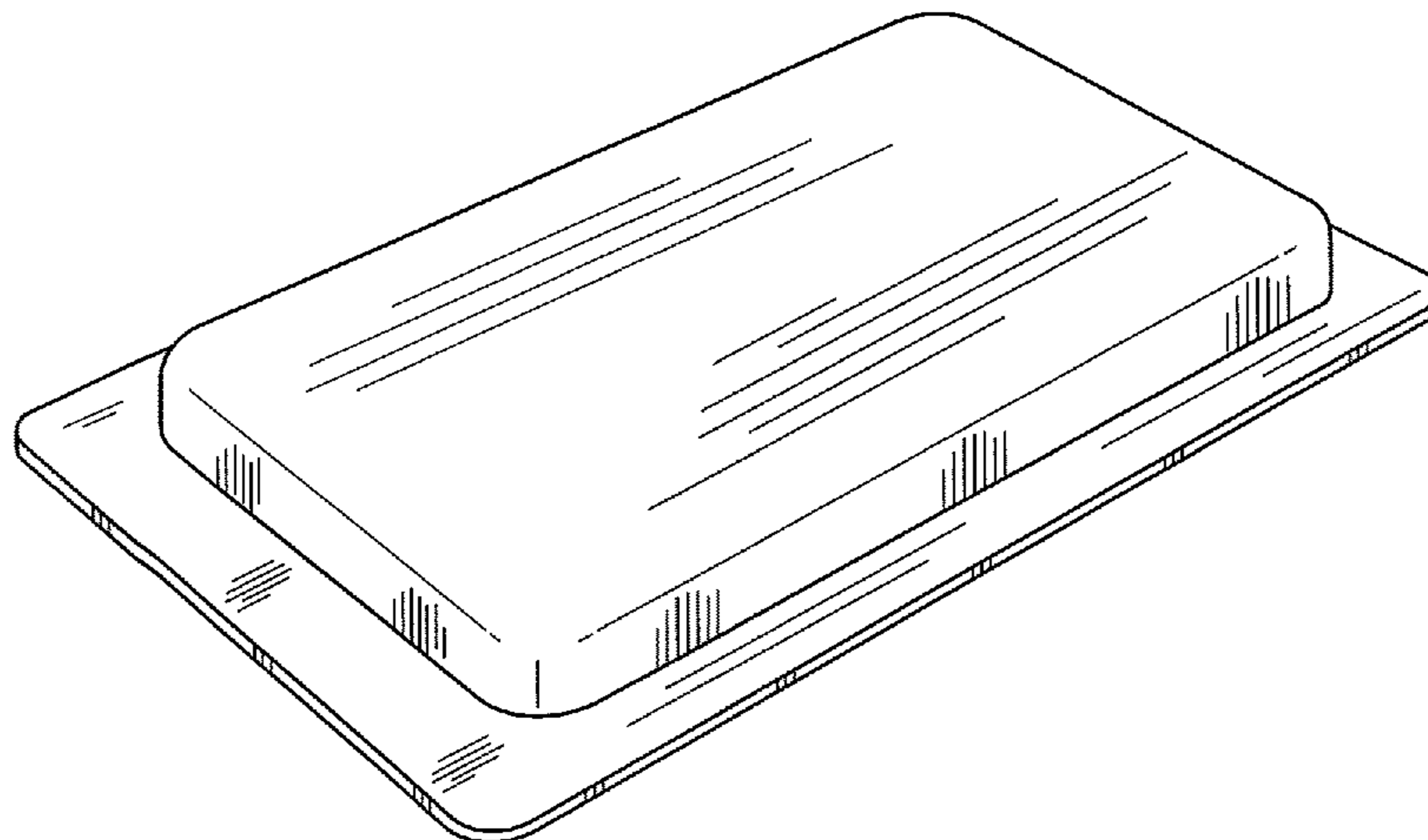
FIG. 11 is a top plan view thereof, the bottom being a mirror  
image thereof.

(56) **References Cited**

**U.S. PATENT DOCUMENTS**

D52,821 S 12/1918 Gallaher  
1,906,742 A 5/1933 Coulapides  
2,011,399 A 8/1935 Driscoll  
2,494,724 A 1/1950 Schmidt  
D174,831 S 5/1955 Nowak  
D186,900 S 12/1959 Griese, Jr.  
3,039,671 A 6/1962 Chiamardas  
3,202,269 A 8/1965 Lewis et al.  
3,241,738 A 3/1966 Freiman  
3,278,109 A 10/1966 Salway  
D213,356 S 2/1969 Buff  
3,483,964 A 12/1969 Muehling et al.  
3,530,917 A 9/1970 Donovan

**1 Claim, 5 Drawing Sheets**



# US D655,154 S

## U.S. PATENT DOCUMENTS

D254,360 S	3/1980	Seda		6,076,679 A	6/2000	Yuhara et al.
4,197,947 A	4/1980	Zaida		D447,688 S	9/2001	Jalet et al.
D257,585 S	12/1980	Neuwirth		D450,240 S	11/2001	Haag et al.
D261,110 S	10/1981	Yoshimoto		D459,222 S	6/2002	Mello et al.
D266,224 S	9/1982	Bronander, Jr.		6,467,614 B1	10/2002	Tallier et al.
D266,829 S	11/1982	Yoshizawa et al.		D465,416 S	11/2002	Dzwill et al.
D273,426 S	4/1984	Zucker		D467,493 S	12/2002	Hussaini et al.
D281,398 S	11/1985	Kesselring		D470,411 S	2/2003	Menceles
D282,721 S	2/1986	Cameron, Jr.		D474,886 S	5/2003	Fleming et al.
4,589,430 A	5/1986	Sussman		D479,128 S	9/2003	Jowett
D285,744 S	9/1986	Vinot		6,627,814 B1	9/2003	Stark
D287,919 S	1/1987	Clements		D485,942 S *	1/2004	McLeish ..... D28/8.1
4,691,820 A	9/1987	Martinez		D496,135 S	9/2004	Hillock
4,696,402 A	9/1987	Harmon et al.		6,828,674 B2	12/2004	Karpman
4,741,441 A	5/1988	Keffeler		6,837,369 B2	1/2005	Amos
D296,988 S	8/1988	Yamada		6,932,219 B2	8/2005	Chacko et al.
D304,303 S	10/1989	Hurst et al.		D510,263 S *	10/2005	Isono et al. .... D9/425
D304,684 S	11/1989	Hadtke		D527,997 S	9/2006	Kudo et al.
D305,832 S	2/1990	Pence		7,109,580 B2	9/2006	Heschel et al.
4,925,316 A	5/1990	Van Erden et al.		D534,422 S	1/2007	Hallberg
D309,570 S	7/1990	Kinoshita		D537,561 S	2/2007	Counts et al.
D311,331 S	10/1990	Diba et al.		D549,094 S	8/2007	Oner et al.
D311,683 S	10/1990	Diba et al.		7,322,473 B2	1/2008	Fux
D318,013 S	7/1991	Elliot		7,331,451 B2	2/2008	Focke et al.
5,035,731 A *	7/1991	Spruill et al. .... 96/118		D575,452 S	8/2008	Jones et al.
D319,587 S	9/1991	Lee		D580,751 S	11/2008	Blick
5,092,354 A	3/1992	Pacelli, Jr.		D584,141 S	1/2009	Smith
5,167,974 A	12/1992	Grindrod et al.		D585,762 S	2/2009	Friedland et al.
D342,023 S	12/1993	Bonkowski		D311,483 S	3/2009	Amos et al.
D344,018 S	2/1994	Kelsey et al.		D614,023 S	4/2010	Amos et al.
5,366,077 A	11/1994	Pham		2006/0081495 A1	4/2006	Killinger
D353,091 S	12/1994	Mumford		2006/0283721 A1	12/2006	Kutsch et al.
5,373,862 A	12/1994	Blachut		2007/0012711 A1	1/2007	Kutsch et al.
D363,217 S	10/1995	Flynn		2008/0093233 A1	4/2008	Jones et al.
5,503,858 A	4/1996	Reskow		2009/0000968 A1	1/2009	Smith et al.
D370,301 S	5/1996	Murphy				
5,605,167 A	2/1997	Montoli				
D380,962 S	7/1997	Trigger				
5,704,480 A	1/1998	Scholz et al.				
D395,235 S	6/1998	Andersson				
D401,853 S	12/1998	Stavridis				
5,950,830 A	9/1999	Trigger				
D423,931 S	5/2000	Davis				

## OTHER PUBLICATIONS

Moore et al., U.S. Appl. No. 12/848,658, entitled "Packet Sleeve Including Pocket" filed Aug. 2, 2010.  
 Bellamah et al., U.S. Appl. No. 12/848,696, entitled "Adjacent Article Package For Consumer Products" filed Aug. 2, 2010.

\* cited by examiner

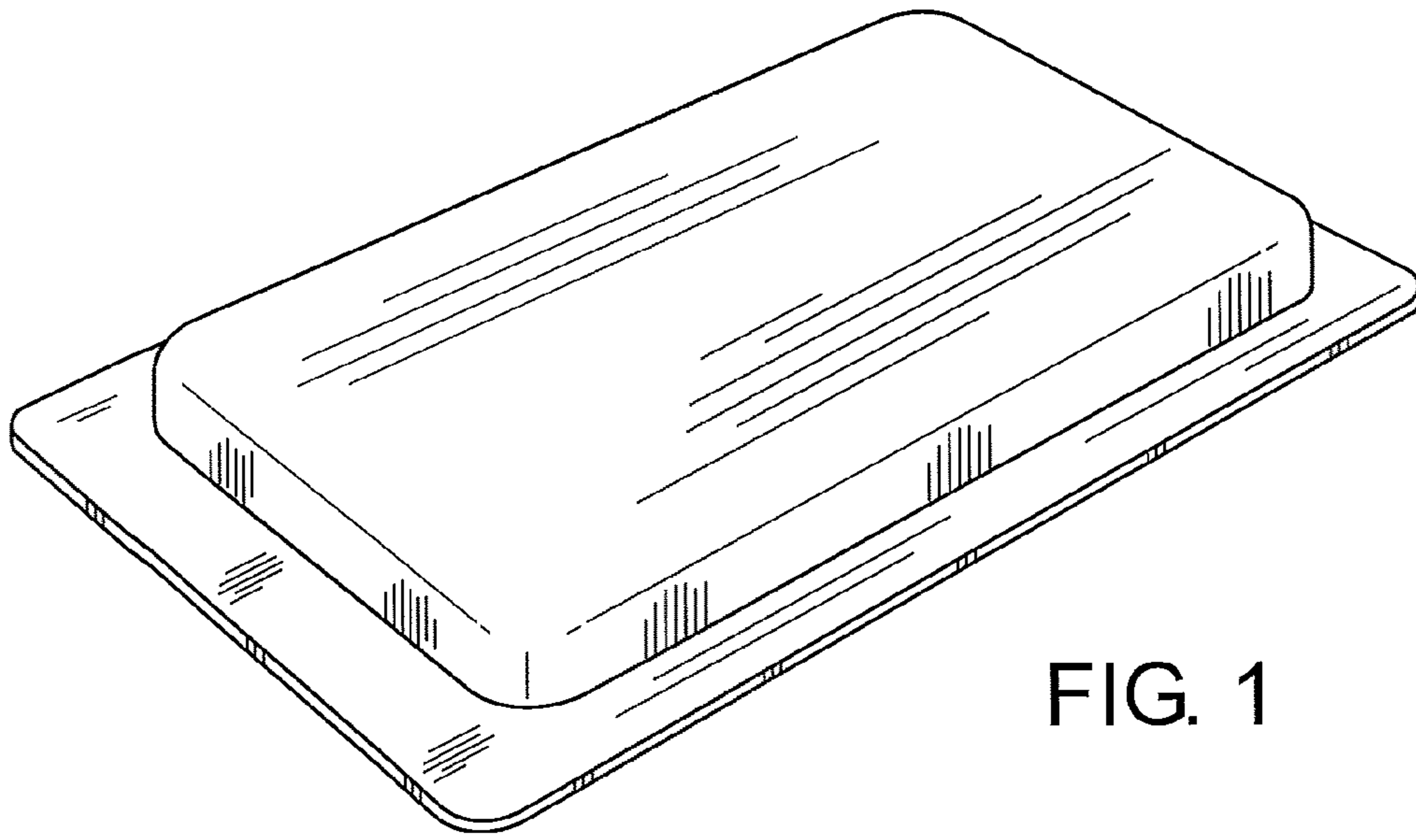


FIG. 1

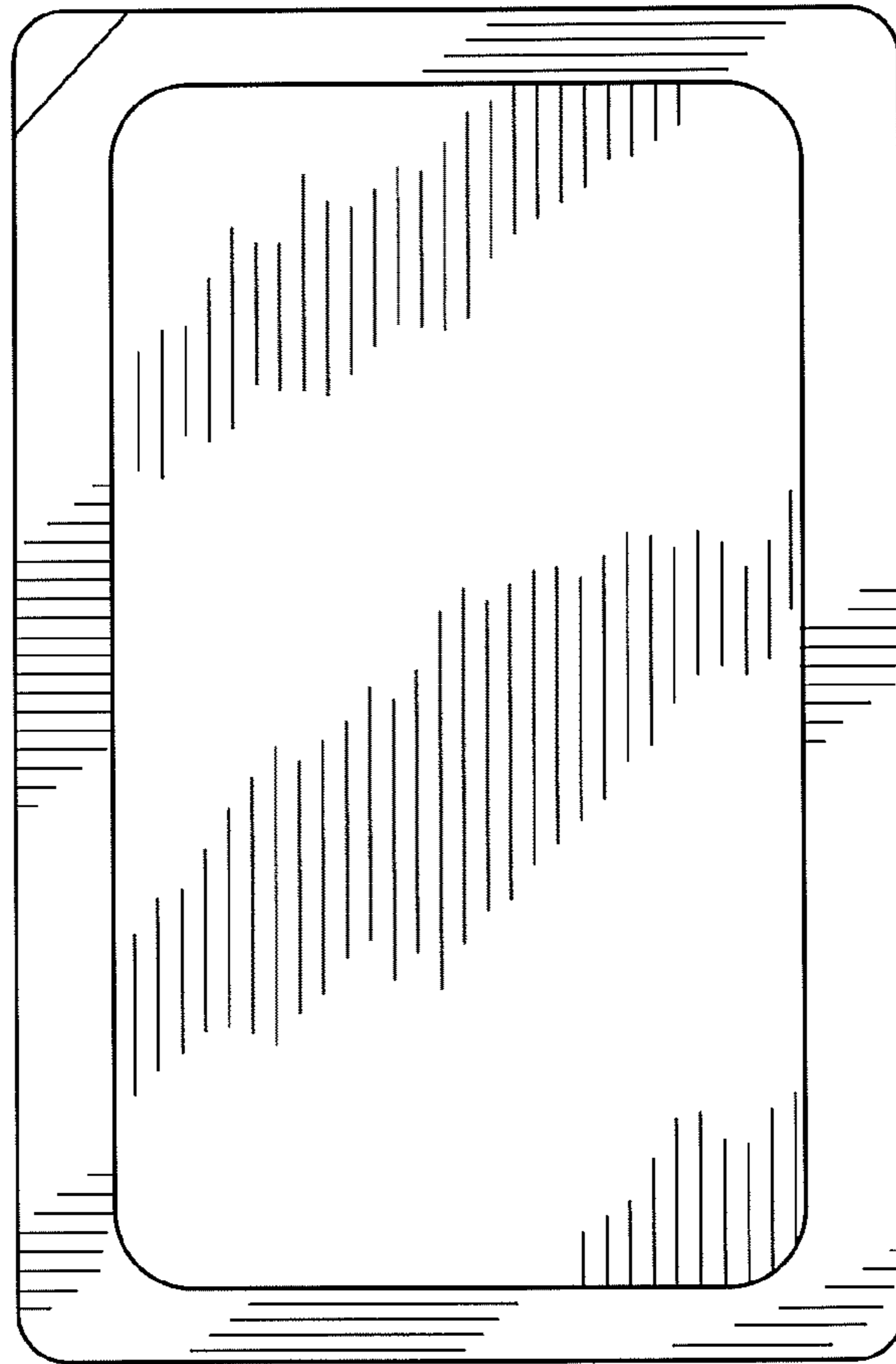


FIG. 2

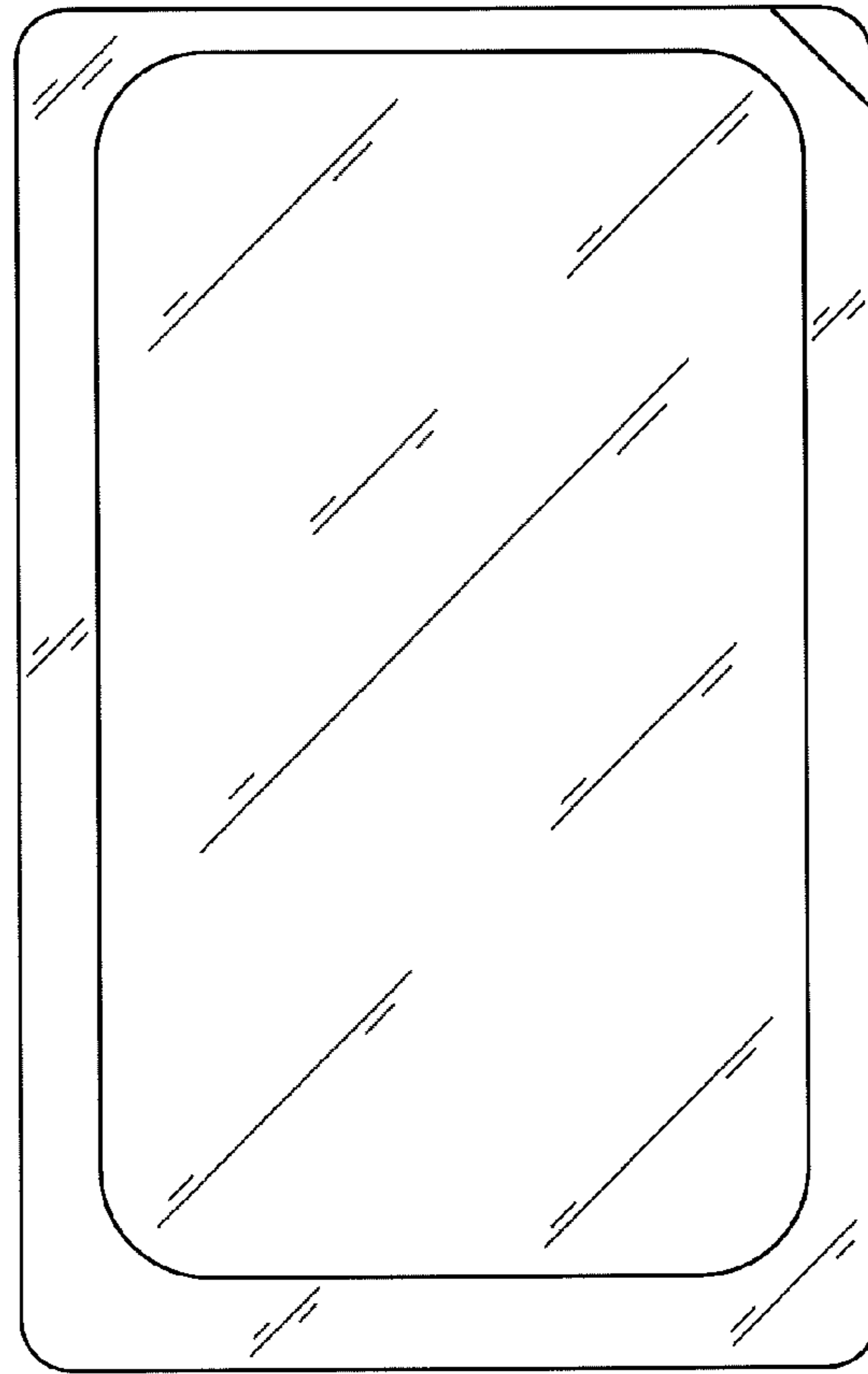


FIG. 3

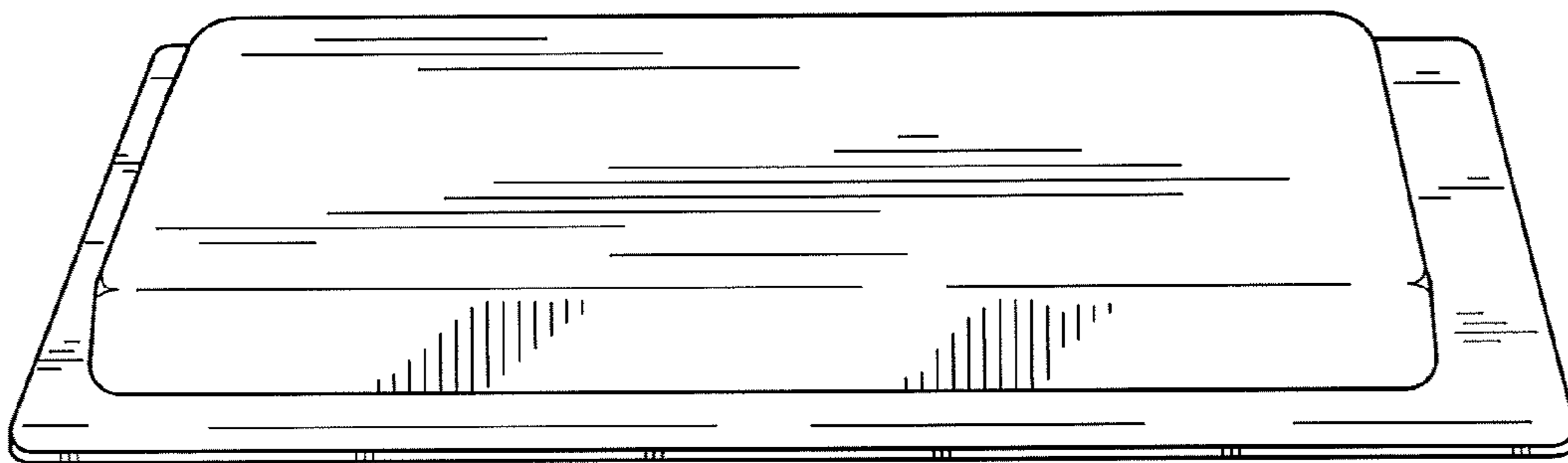


FIG. 4

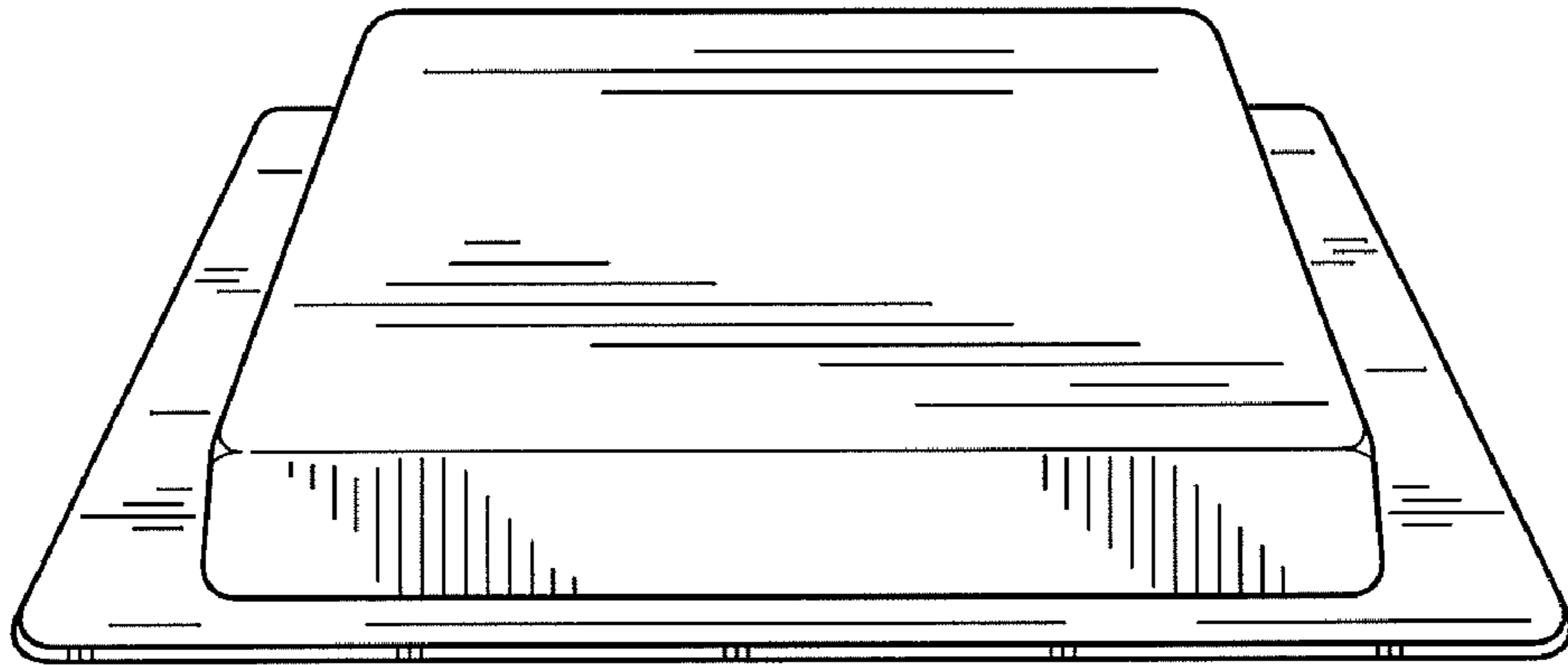


FIG. 5

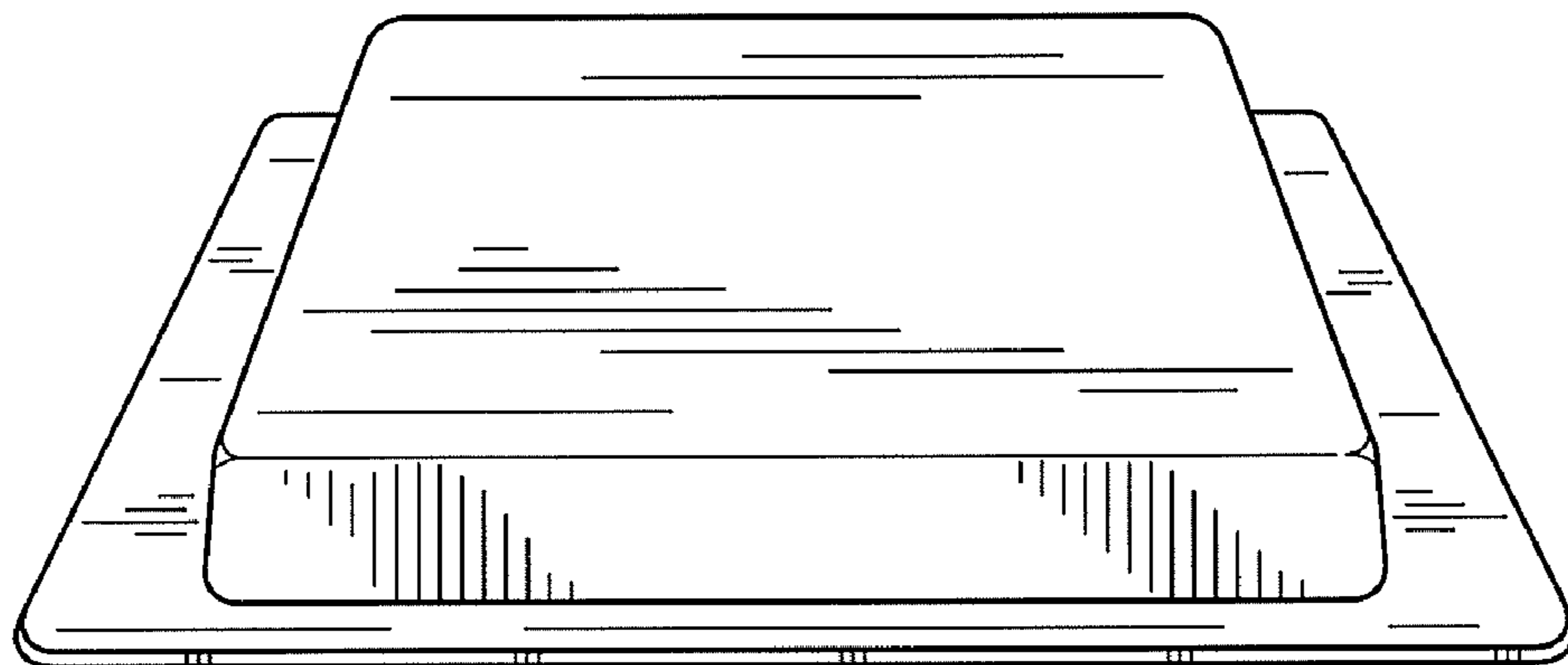


FIG. 6

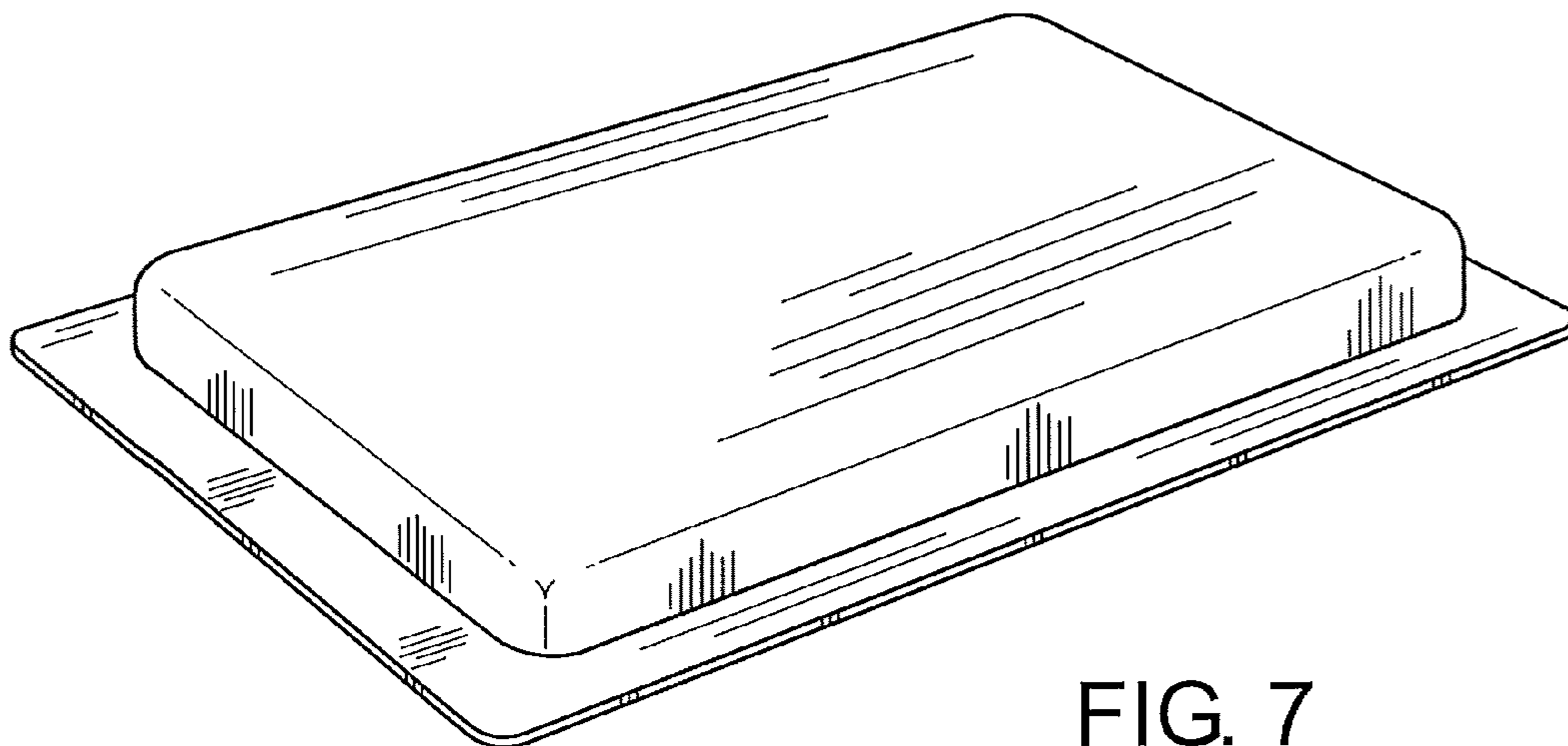


FIG. 7

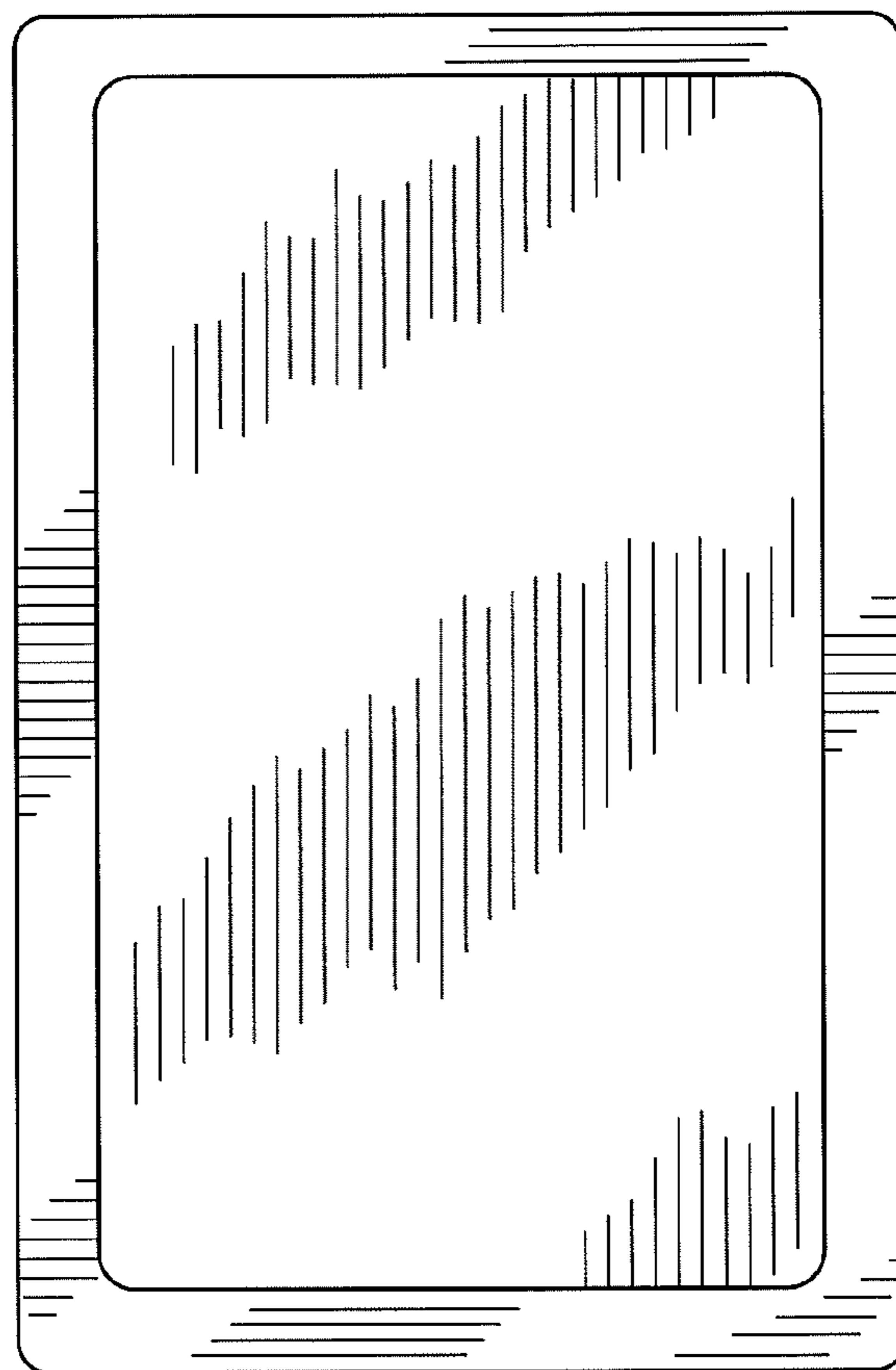


FIG. 8

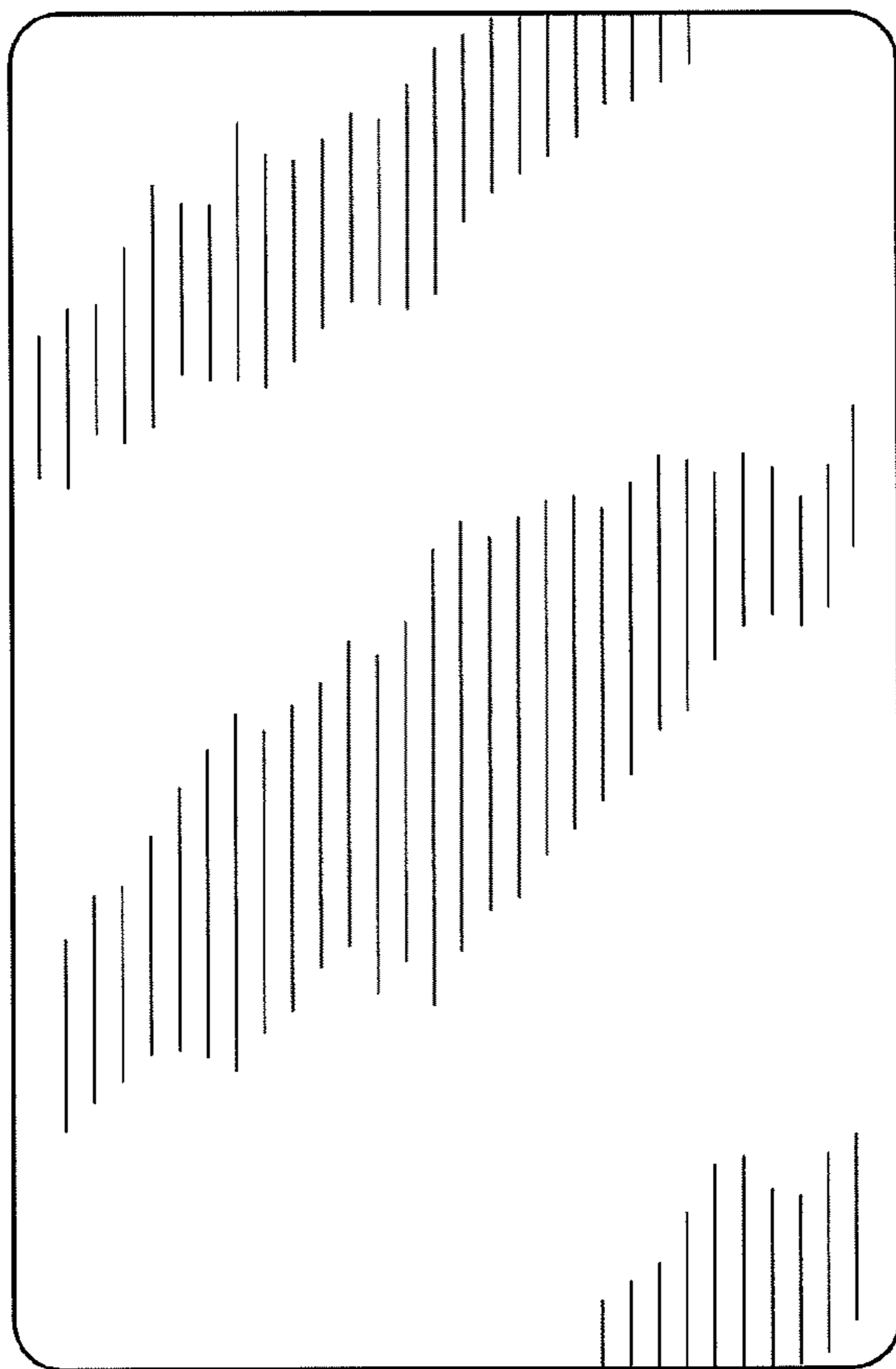


FIG. 9

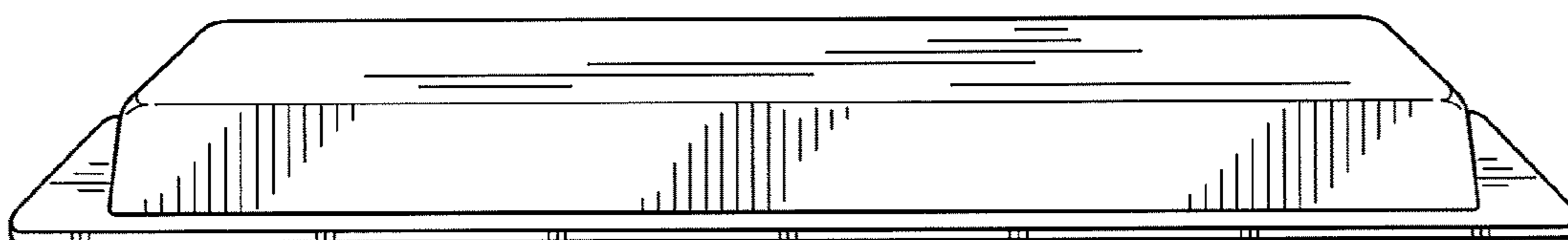


FIG. 10

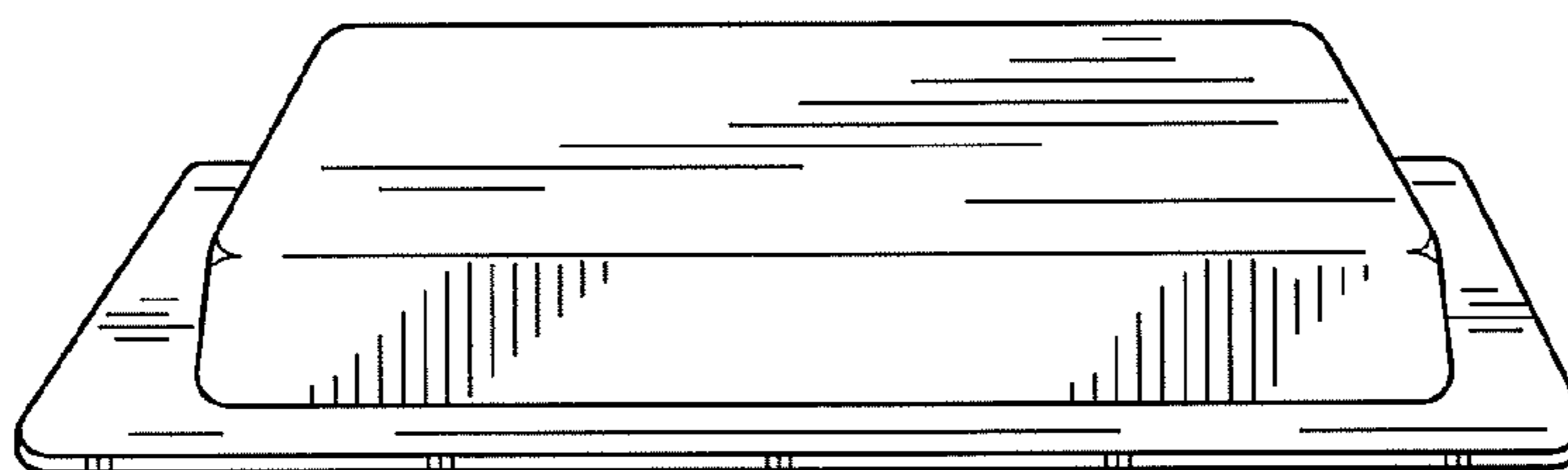


FIG. 11