



US00D655150S

(12) **United States Design Patent**  
**Alderman**

(10) **Patent No.:** **US D655,150 S**  
(45) **Date of Patent:** **\*\* Mar. 6, 2012**

(54) **PAIR OF WASTE BASKET MOUNTABLE HOOKS**

(76) Inventor: **Gina E. Alderman**, Tampa, FL (US)

(\*\*) Term: **14 Years**

(21) Appl. No.: **29/393,607**

(22) Filed: **Jun. 7, 2011**

(51) **LOC (9) Cl.** ..... **08-05**

(52) **U.S. Cl.** ..... **D8/367**

(58) **Field of Classification Search** ..... D8/367,  
D8/373, 349, 354, 71; 248/31 X, 215, 74,  
248/302, 211, 214, 307, 111, 690, 213.2;  
15/174; D32/54; D22/144; 220/495.1; D6/223  
See application file for complete search history.

(56) **References Cited**

**U.S. PATENT DOCUMENTS**

|           |      |         |                   |            |
|-----------|------|---------|-------------------|------------|
| 1,496,388 | A    | 6/1924  | Stern             |            |
| 4,946,065 | A *  | 8/1990  | Goulter et al.    | 220/495.1  |
| 5,094,417 | A    | 3/1992  | Creed             |            |
| 5,222,704 | A *  | 6/1993  | Light             | 248/100    |
| 5,287,971 | A    | 2/1994  | Dorman            |            |
| 5,314,151 | A *  | 5/1994  | Carter-Mann       | 248/100    |
| 5,458,301 | A    | 10/1995 | Cournoyer         |            |
| 5,894,972 | A    | 4/1999  | Brown             |            |
| 5,915,584 | A *  | 6/1999  | Sposit et al.     | 220/495.09 |
| D421,714  | S *  | 3/2000  | Moscovitch et al. | D8/373     |
| 6,176,455 | B1 * | 1/2001  | Ma                | 248/101    |
| D482,732  | S *  | 11/2003 | McIlvaine         | D20/43     |

|           |     |         |              |         |
|-----------|-----|---------|--------------|---------|
| D510,019  | S   | 9/2005  | Davis        |         |
| D571,190  | S * | 6/2008  | Spadotto     | D8/356  |
| 7,530,537 | B2  | 5/2009  | Kandah       |         |
| D618,992  | S * | 7/2010  | Rix          | D8/394  |
| D629,673  | S * | 12/2010 | Shaha et al. | D8/367  |
| D644,681  | S * | 9/2011  | Rix          | D16/242 |

\* cited by examiner

*Primary Examiner* — Cynthia Underwood

(57) **CLAIM**

The ornamental design for a pair of waste basket mountable hooks, as shown and described.

**DESCRIPTION**

FIG. 1 is a front elevated view of a pair of waste basket mountable hooks showing my new design;  
 FIG. 2 is a rear elevated view of the pair of waste basket mountable hooks;  
 FIG. 3 is a side elevated view of the pair of waste basket mountable hooks;  
 FIG. 4 is a top plan view of the pair of waste basket mountable hooks; and  
 FIG. 5 is a bottom plan view of the pair of waste basket mountable hooks; and,  
 FIG. 6 is a top perspective plan view of the waste basket mountable hooks shown in an alternate position of use, the areas in phantom being for illustrative purposes only and forming no portion of the claim.

**1 Claim, 4 Drawing Sheets**

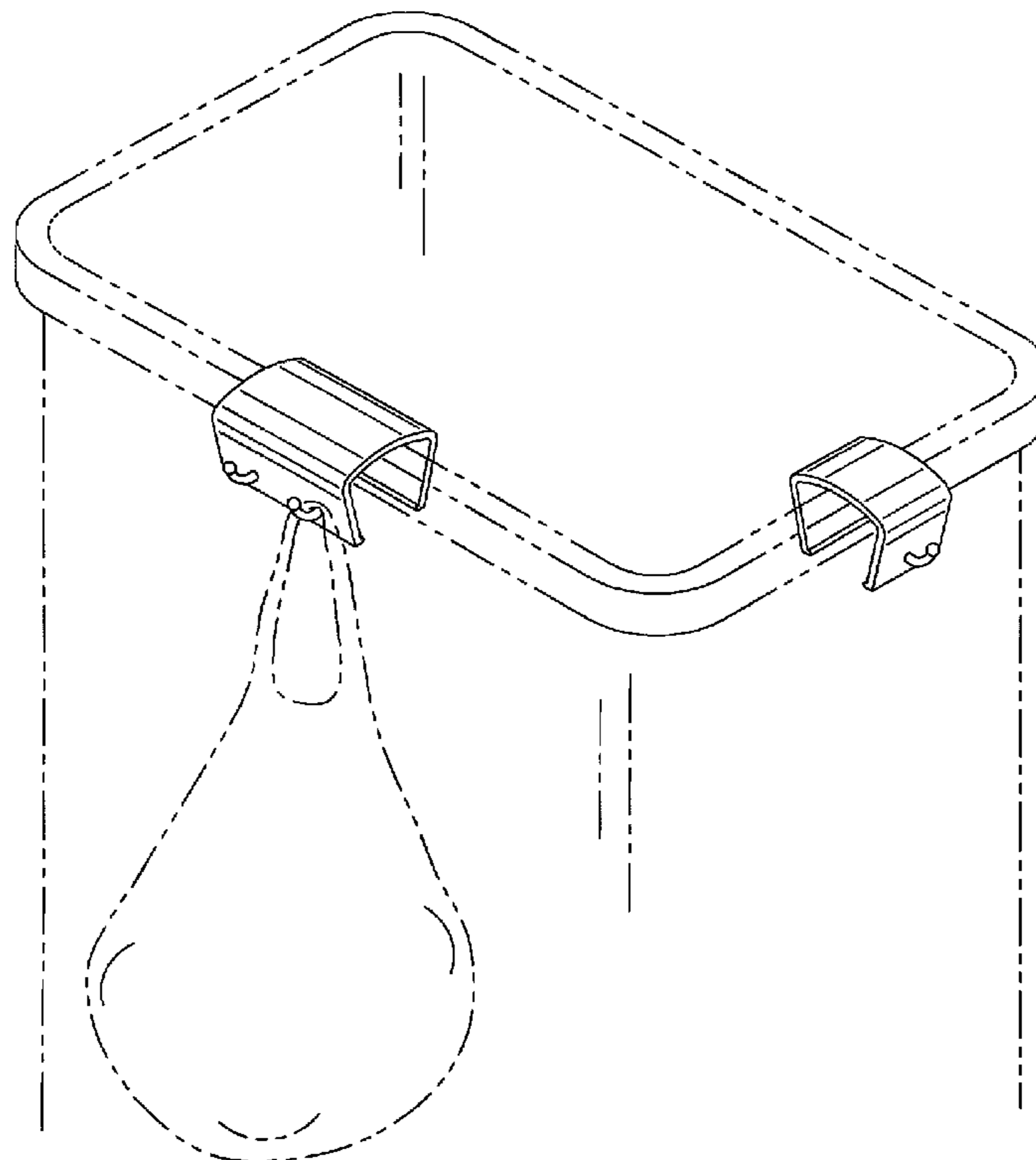


FIG. 1

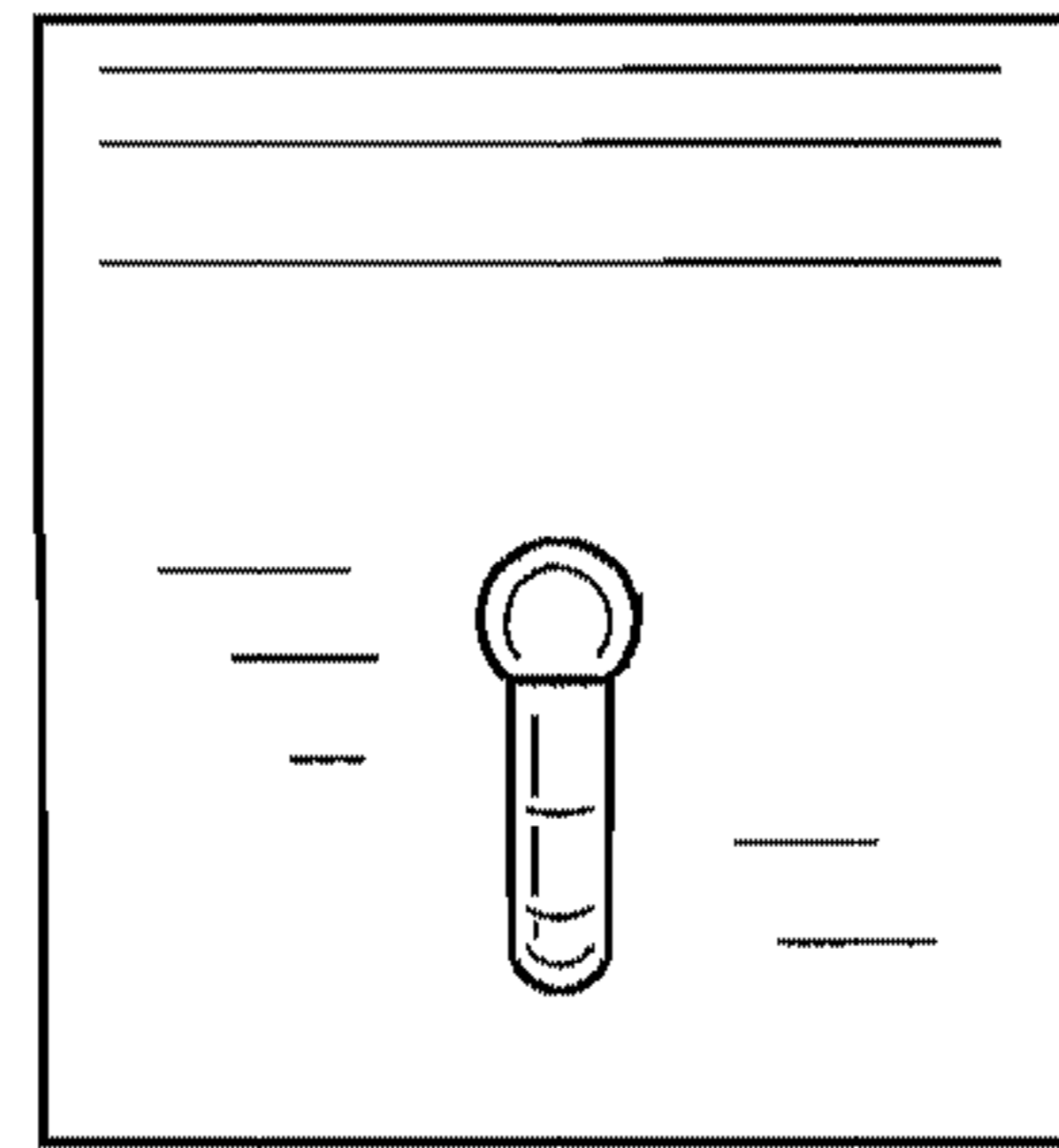
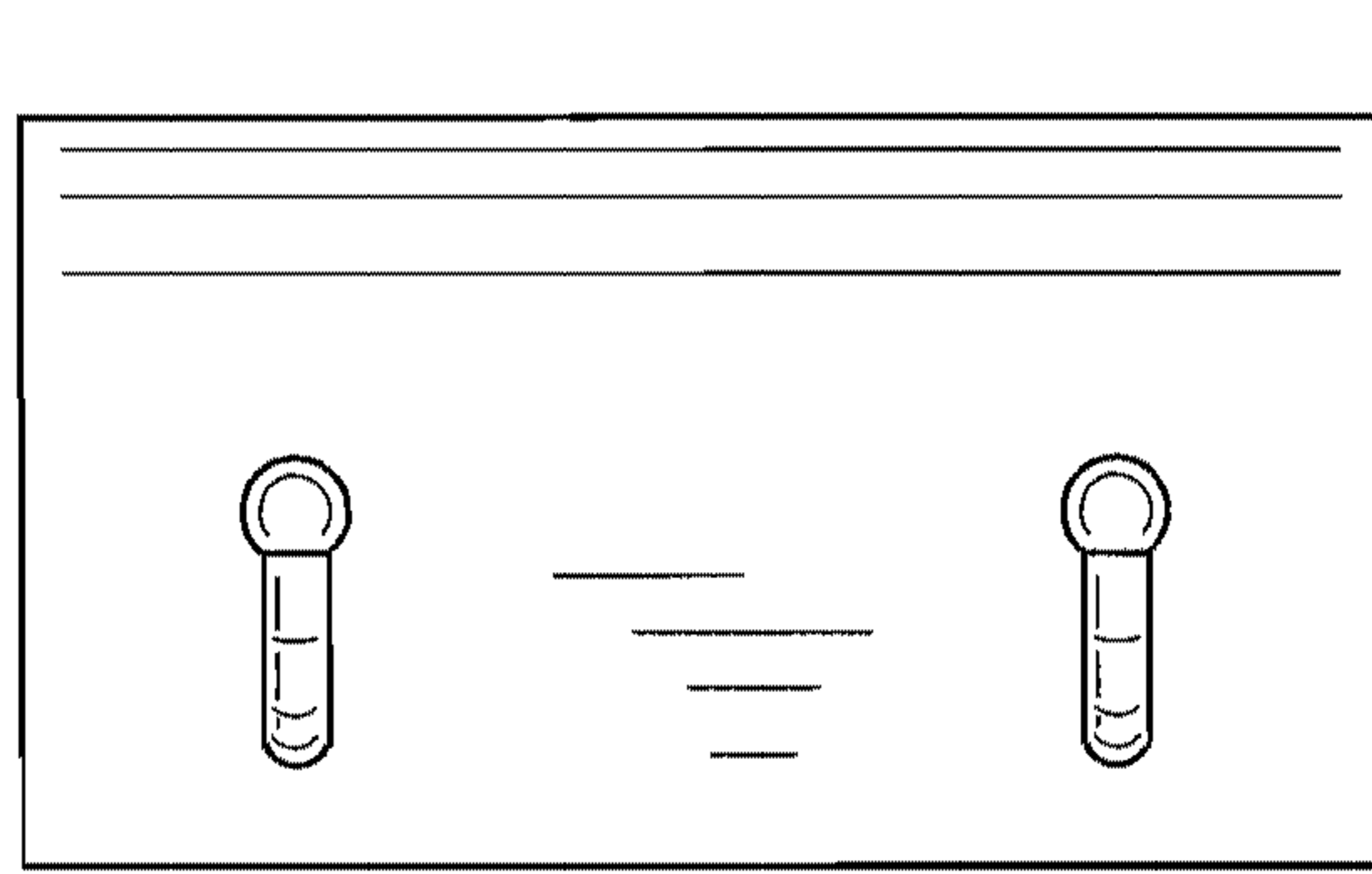
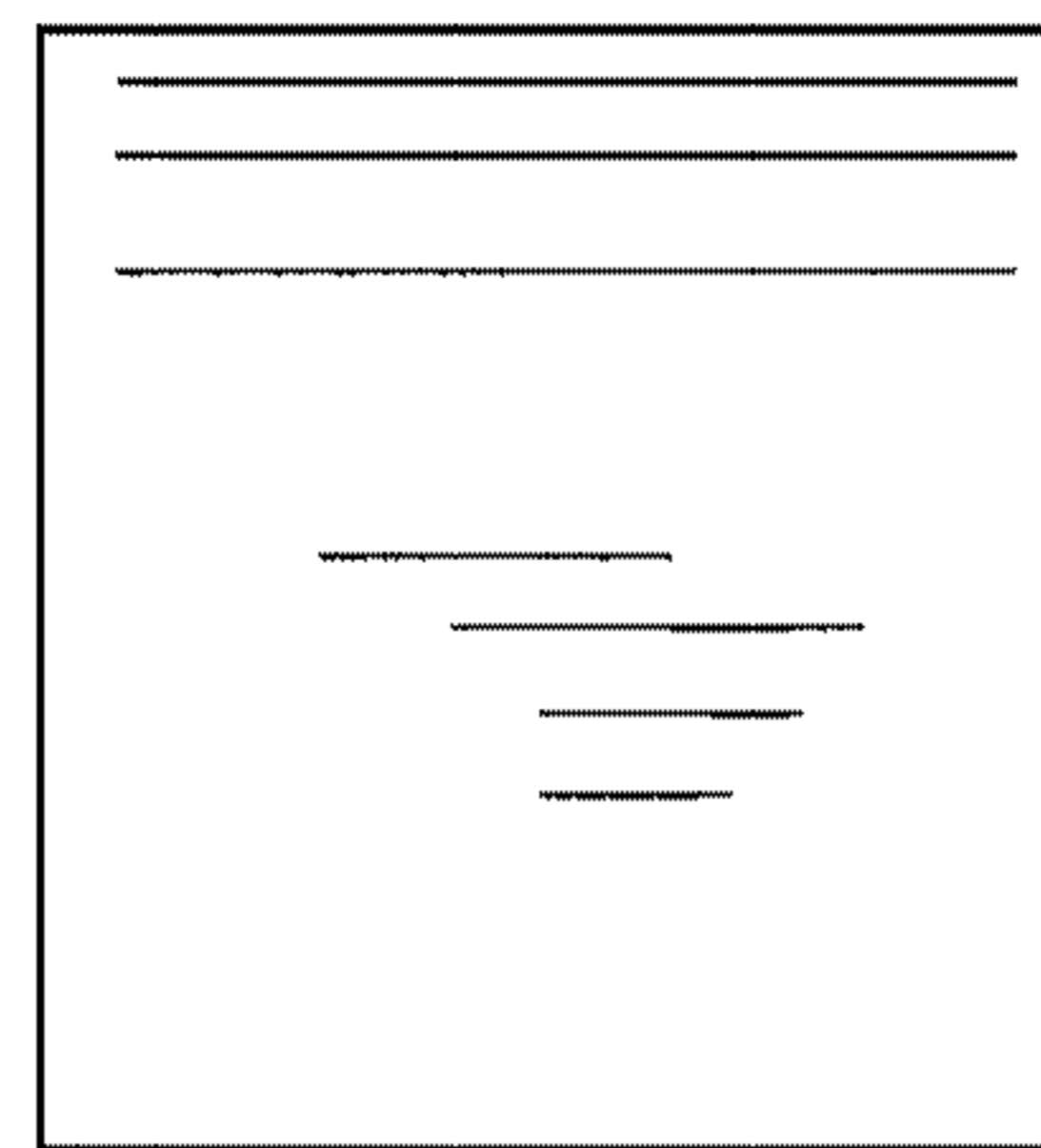
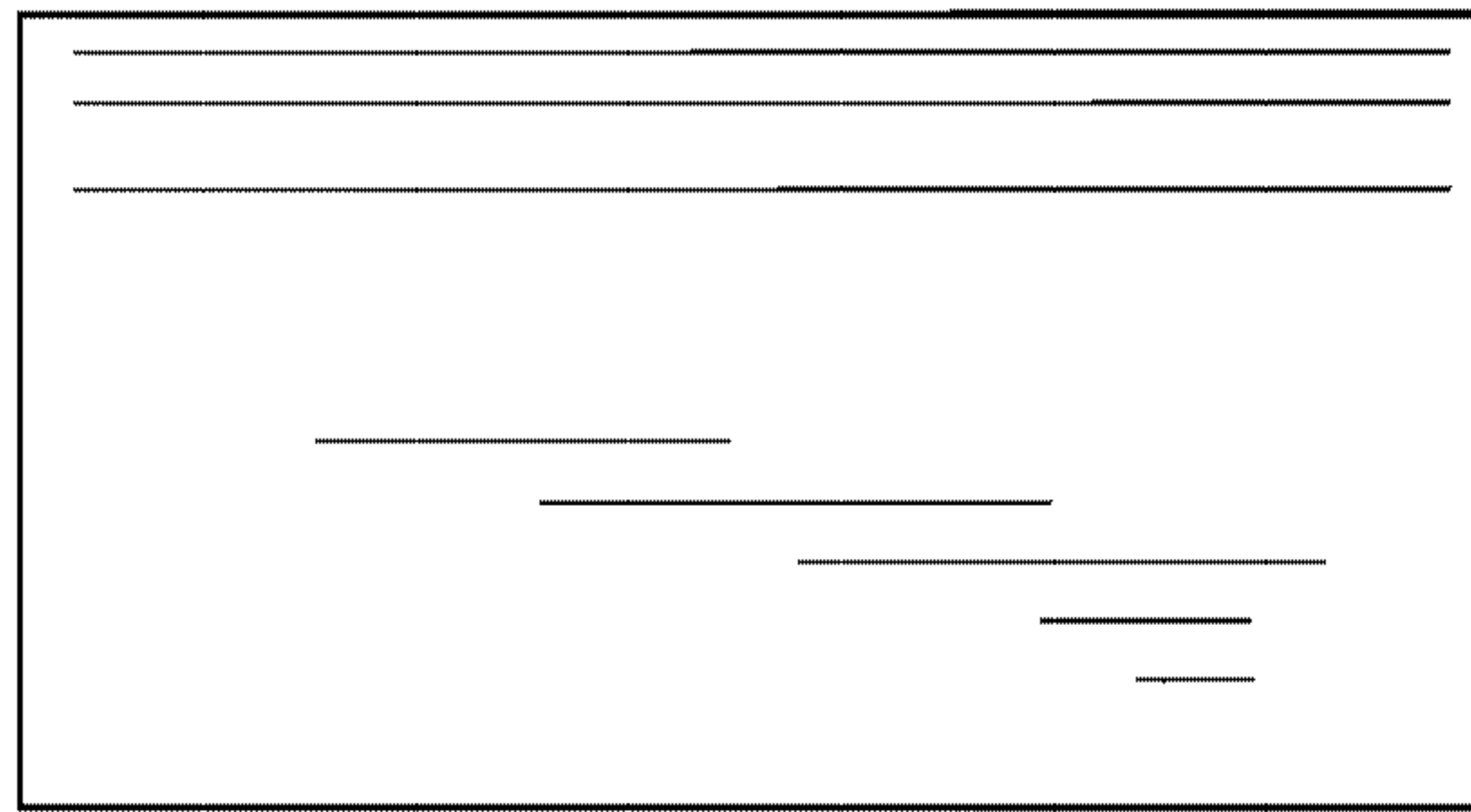


FIG. 2



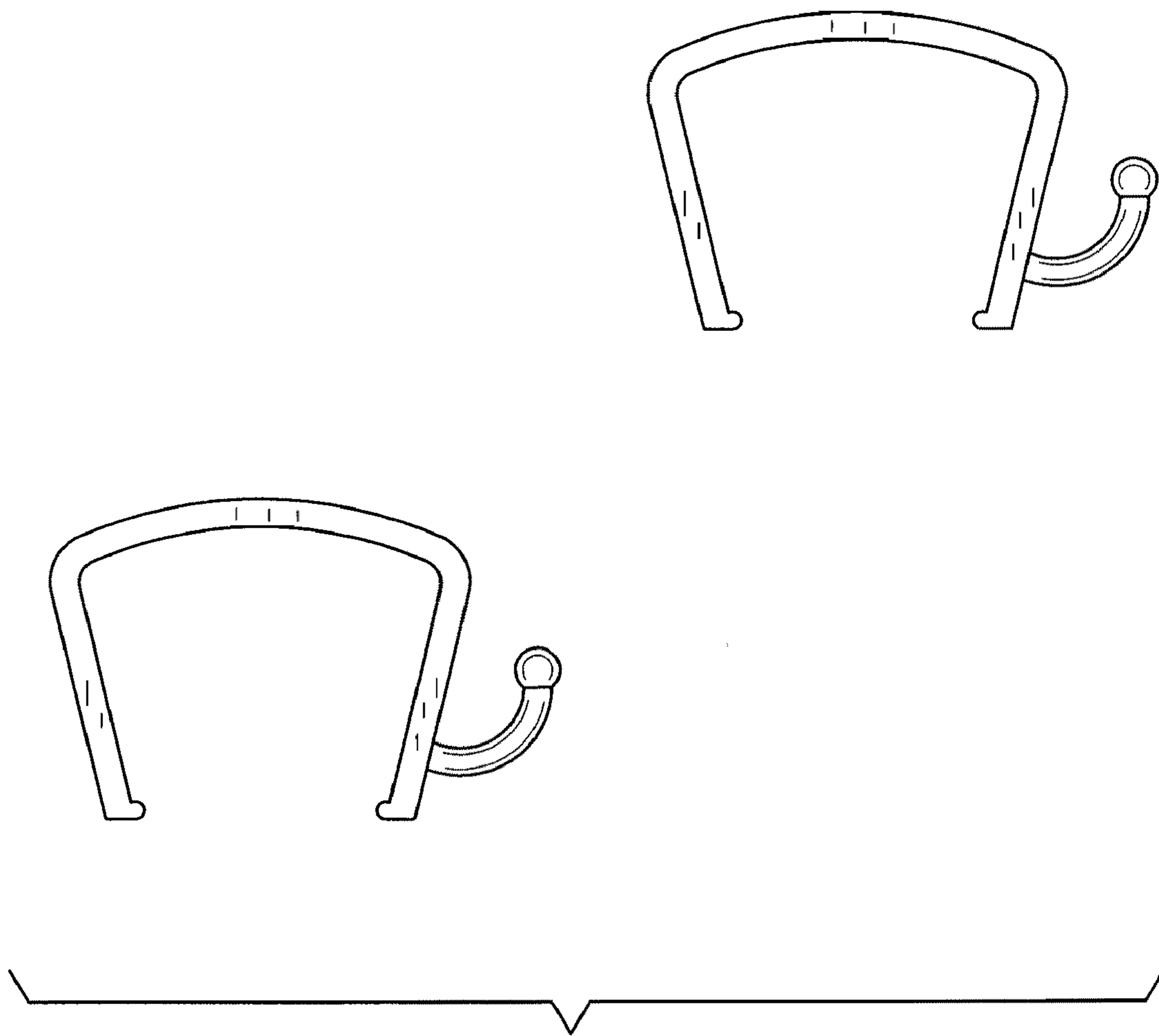


FIG. 3

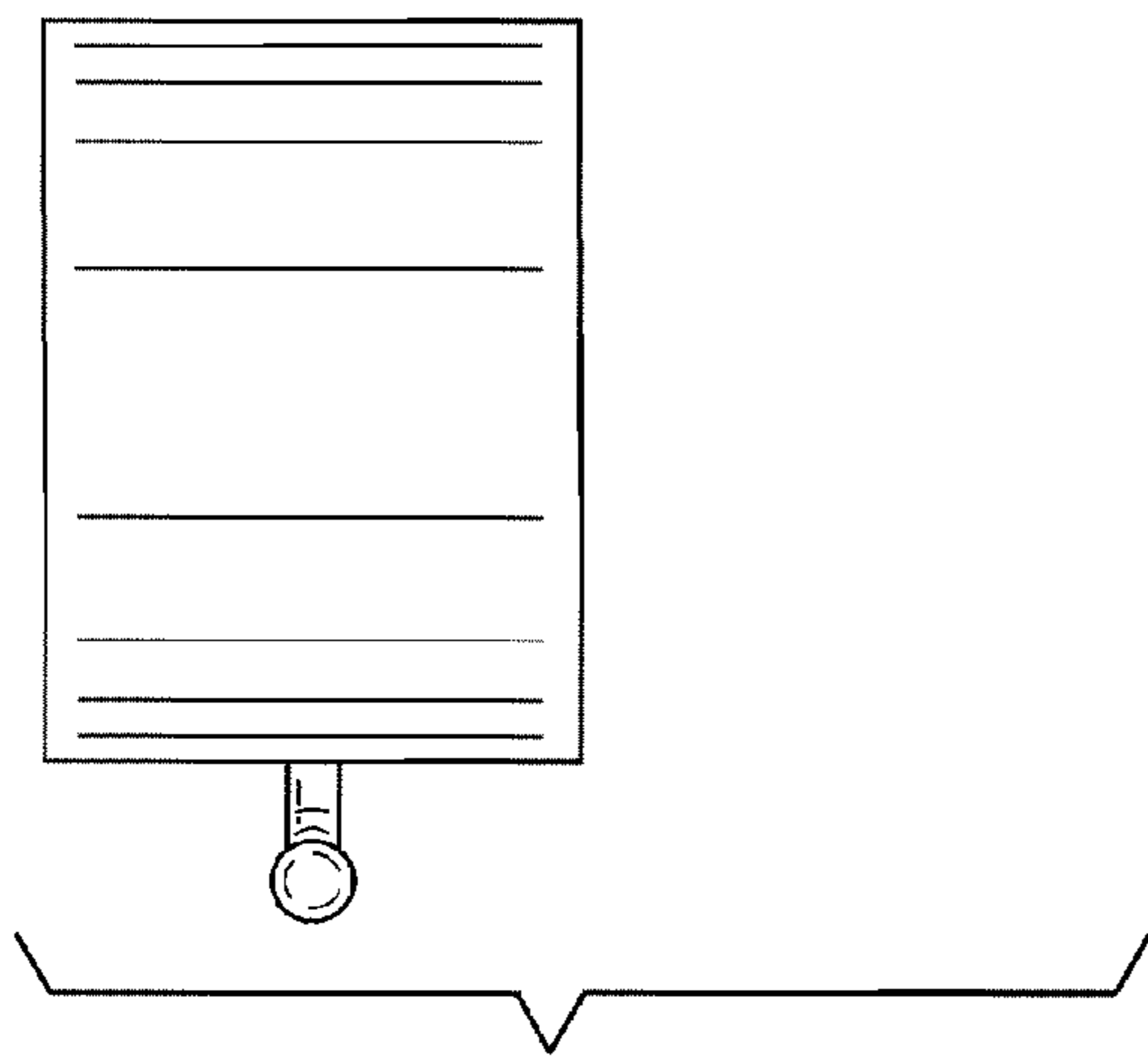
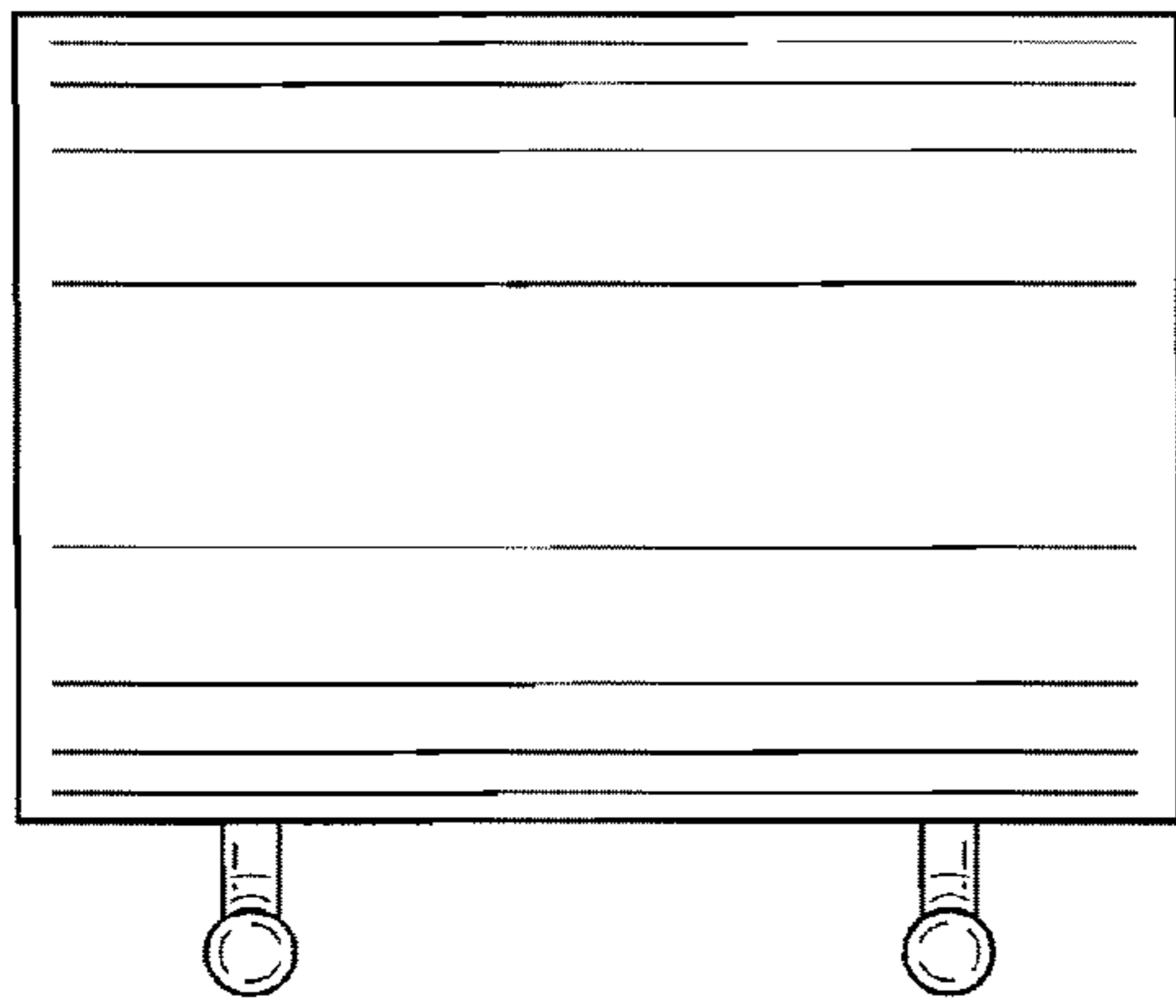
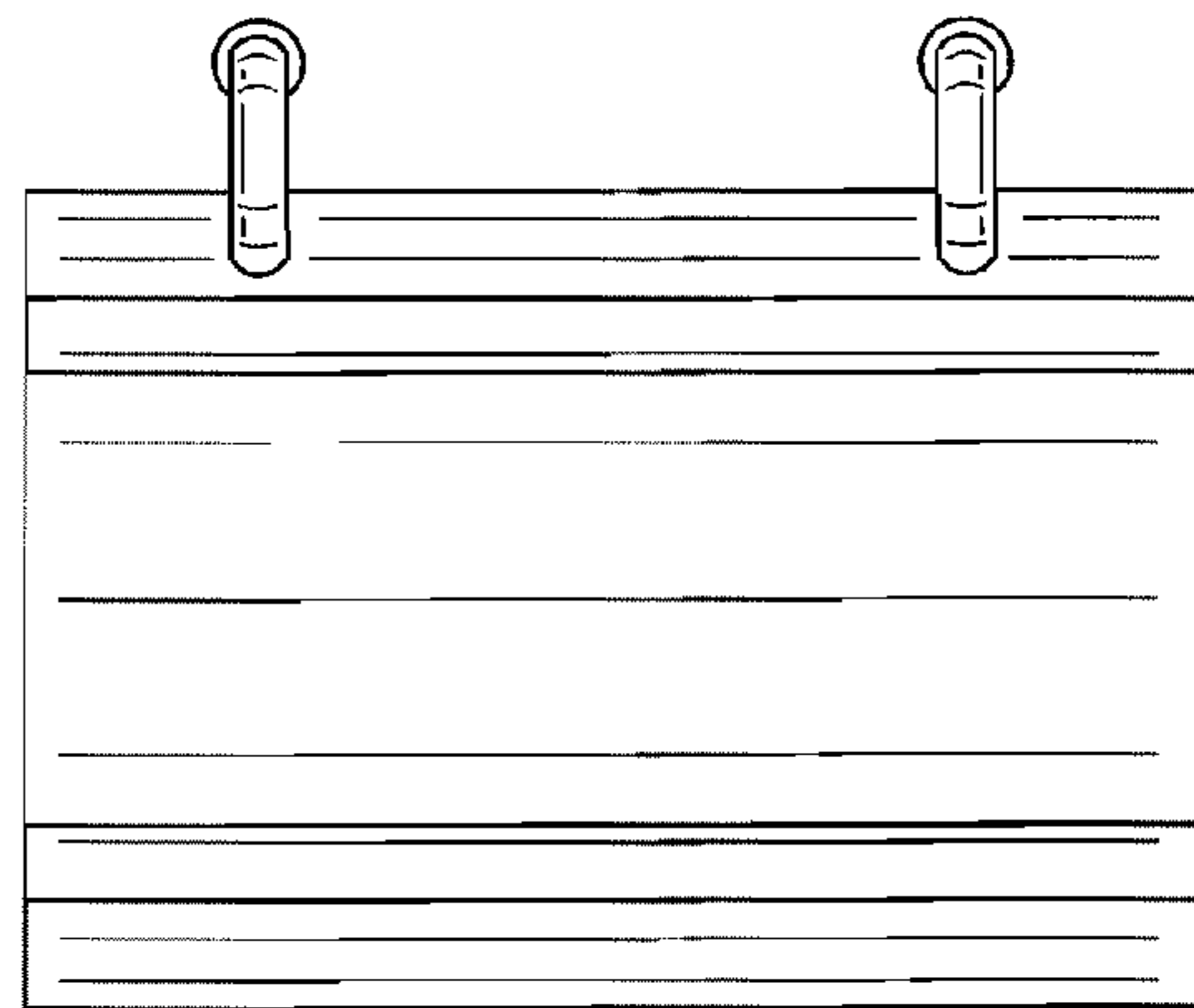
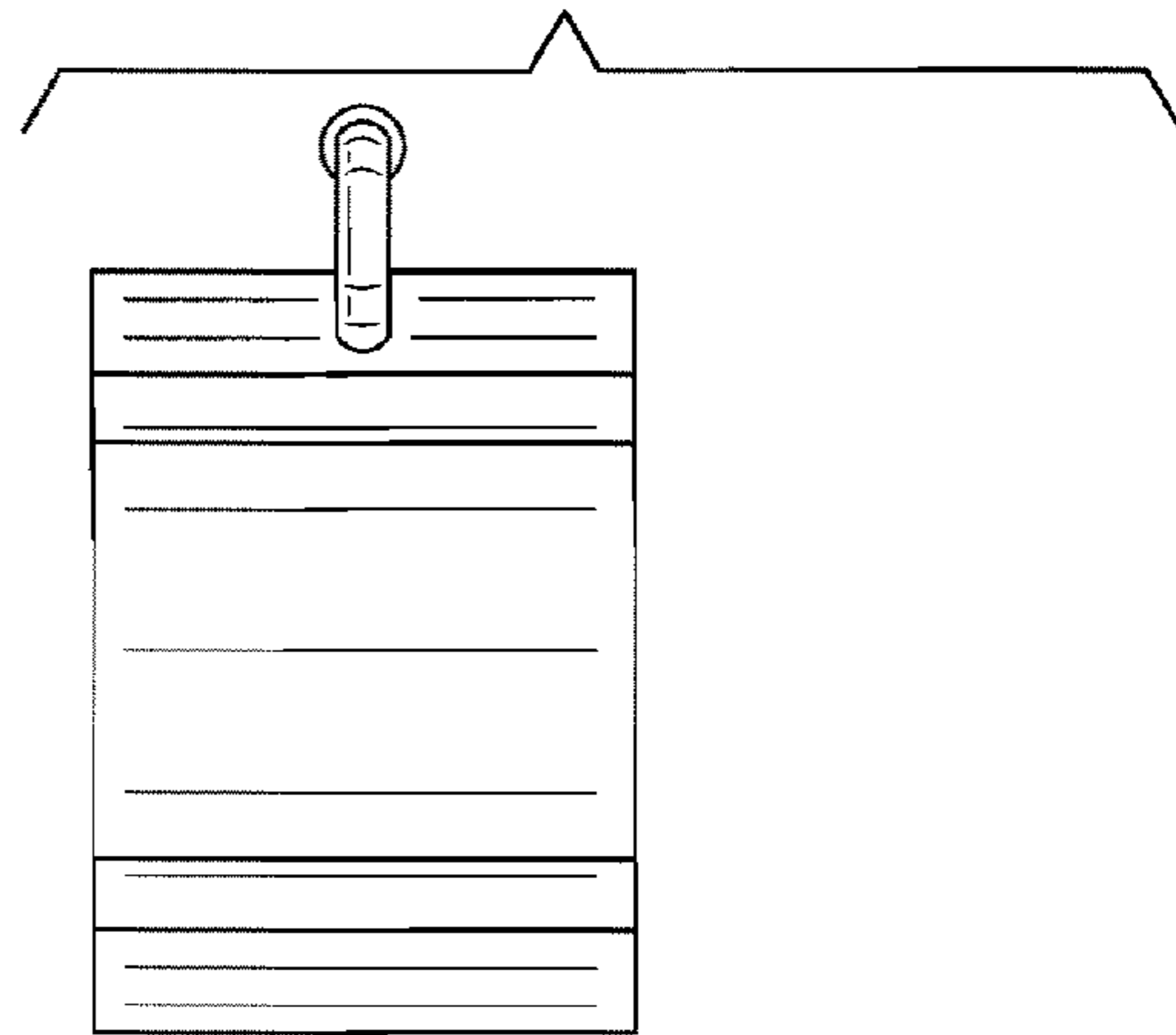


FIG. 4

FIG. 5



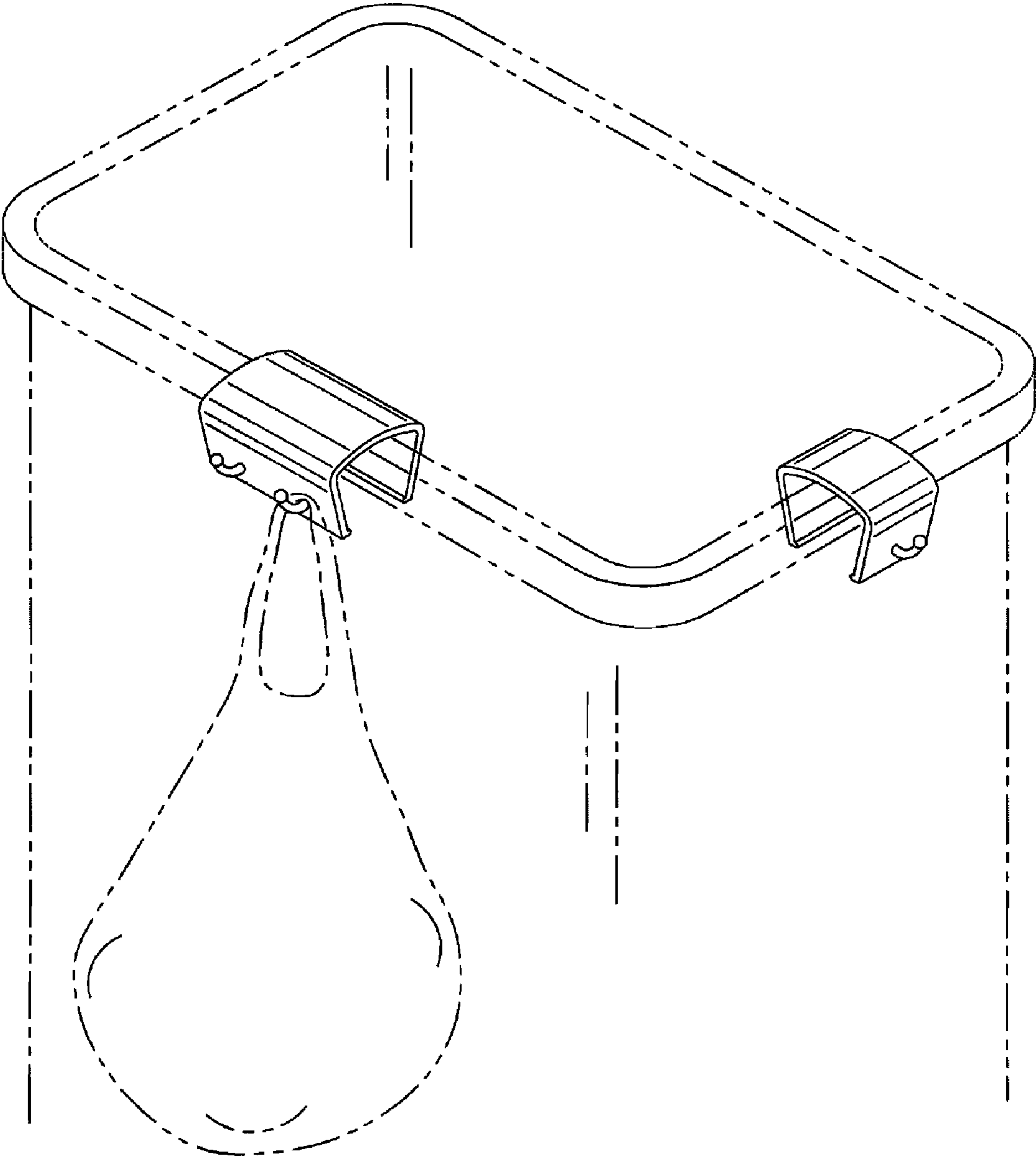


FIG. 6