



US00D655149S

(12) **United States Design Patent**
Dotsey

(10) **Patent No.:** **US D655,149 S**
(45) **Date of Patent:** **** Mar. 6, 2012**

(54) **BRACKET**
(75) Inventor: **Michael A. Dotsey**, Pottstown, PA (US)
(73) Assignee: **AZEK Building Products, Inc.**,
Scranton, PA (US)
(**) Term: **14 Years**
(21) Appl. No.: **29/383,111**

(22) Filed: **Jan. 12, 2011**
(51) **LOC (9) Cl.** **08-05**
(52) **U.S. Cl.** **D8/354**
(58) **Field of Classification Search** D8/354,
D8/380, 349, 382; 248/300, 237, 309.1;
52/188, 182, 191, 702, 712, 745.06, 189,
52/506.5, 586.1; 29/428, 525.01, 464; 249/14,
249/208, 205; 403/169, 167
See application file for complete search history.

(56) **References Cited**

U.S. PATENT DOCUMENTS

D275,553 S * 9/1984 Emmie et al. D8/363
D312,205 S * 11/1990 de Rooij D8/373
D315,289 S * 3/1991 Rankin D8/373
D327,214 S * 6/1992 Stuart D8/373

D327,642 S * 7/1992 Foubister D8/373
D373,074 S * 8/1996 Miyashita D8/382
6,109,819 A * 8/2000 Welch 403/353
D489,598 S * 5/2004 Balaban D8/354
D492,187 S * 6/2004 Mottini D8/354
D507,959 S * 8/2005 Mottini D8/354
D555,459 S * 11/2007 Goodwin et al. D8/363
D569,232 S * 5/2008 Yoshida D8/355
D619,878 S * 7/2010 Sjoqvist D8/354
2007/0120031 A1 * 5/2007 Rasmussen 248/266

* cited by examiner

Primary Examiner — Mark Goodwin

(74) *Attorney, Agent, or Firm* — Buchanan Ingersoll & Rooney PC

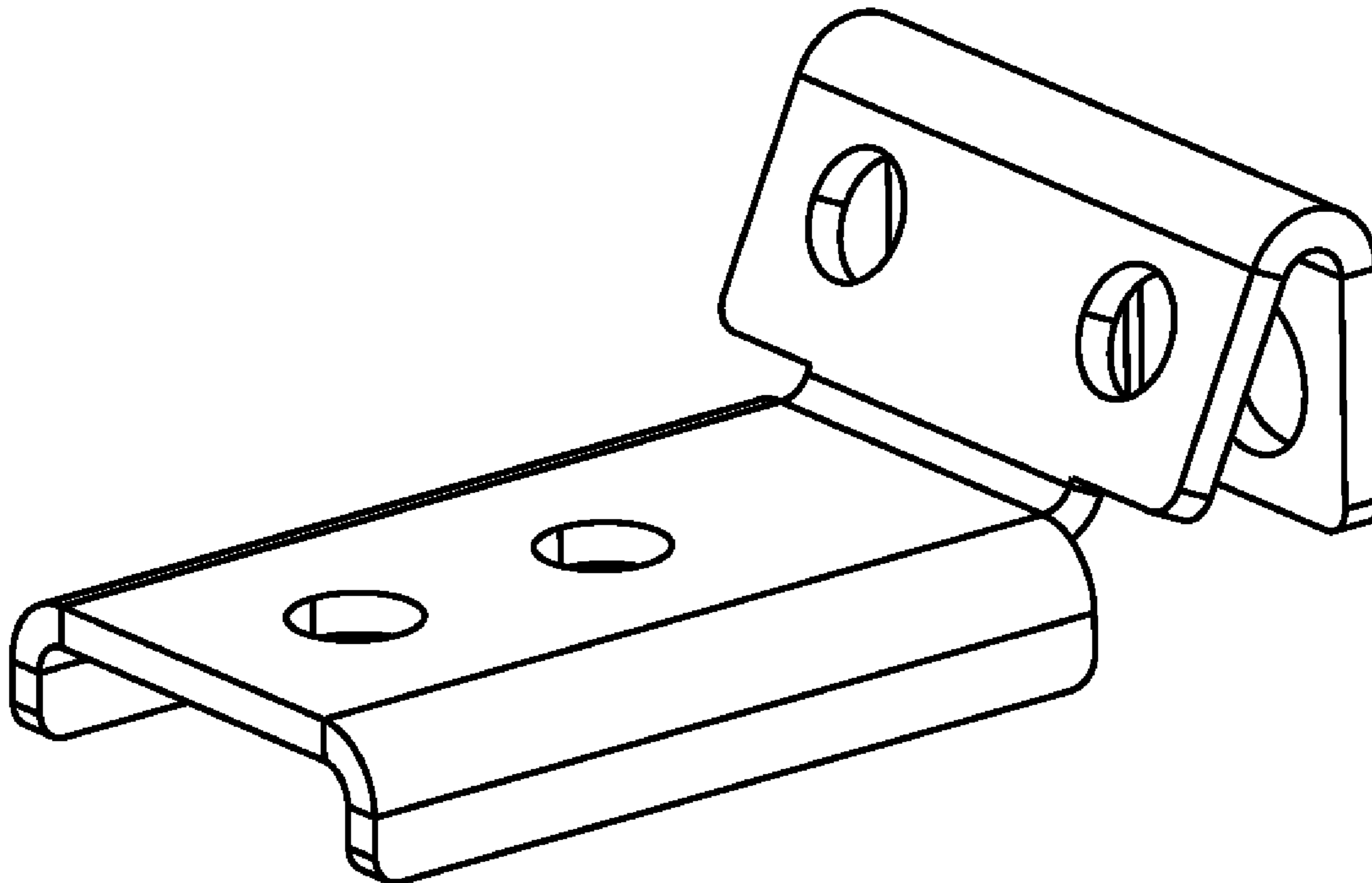
(57) **CLAIM**

The ornamental design for a bracket, as shown and described.

DESCRIPTION

FIG. 1 is a top perspective view of a bracket showing my new design;
FIG. 2 is a top view thereof;
FIG. 3 is a bottom view thereof;
FIG. 4 is a rear view thereof; and,
FIG. 5 is a right side view thereof, the left side view being a mirror image thereof.

1 Claim, 3 Drawing Sheets



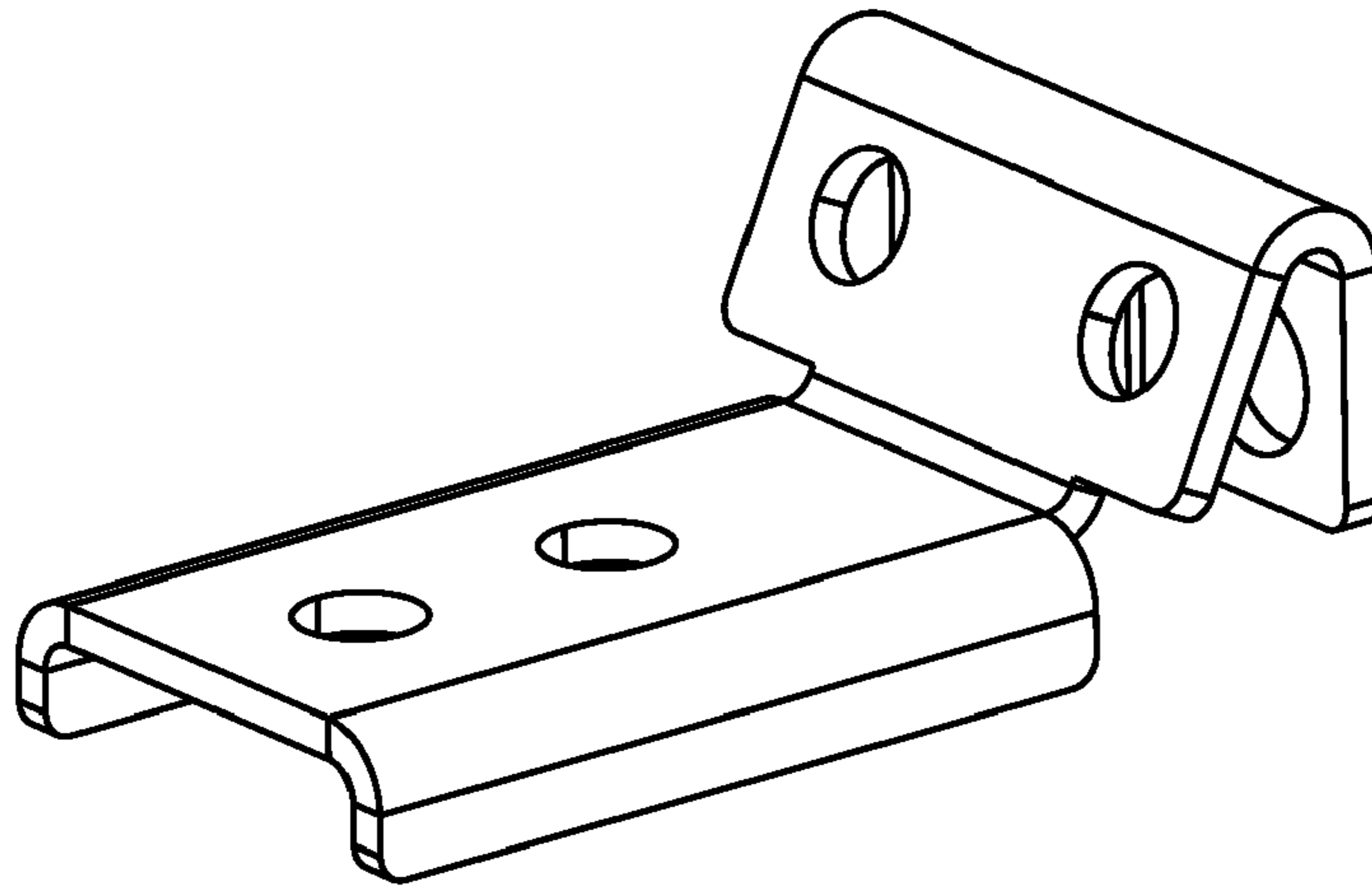


FIG. 1

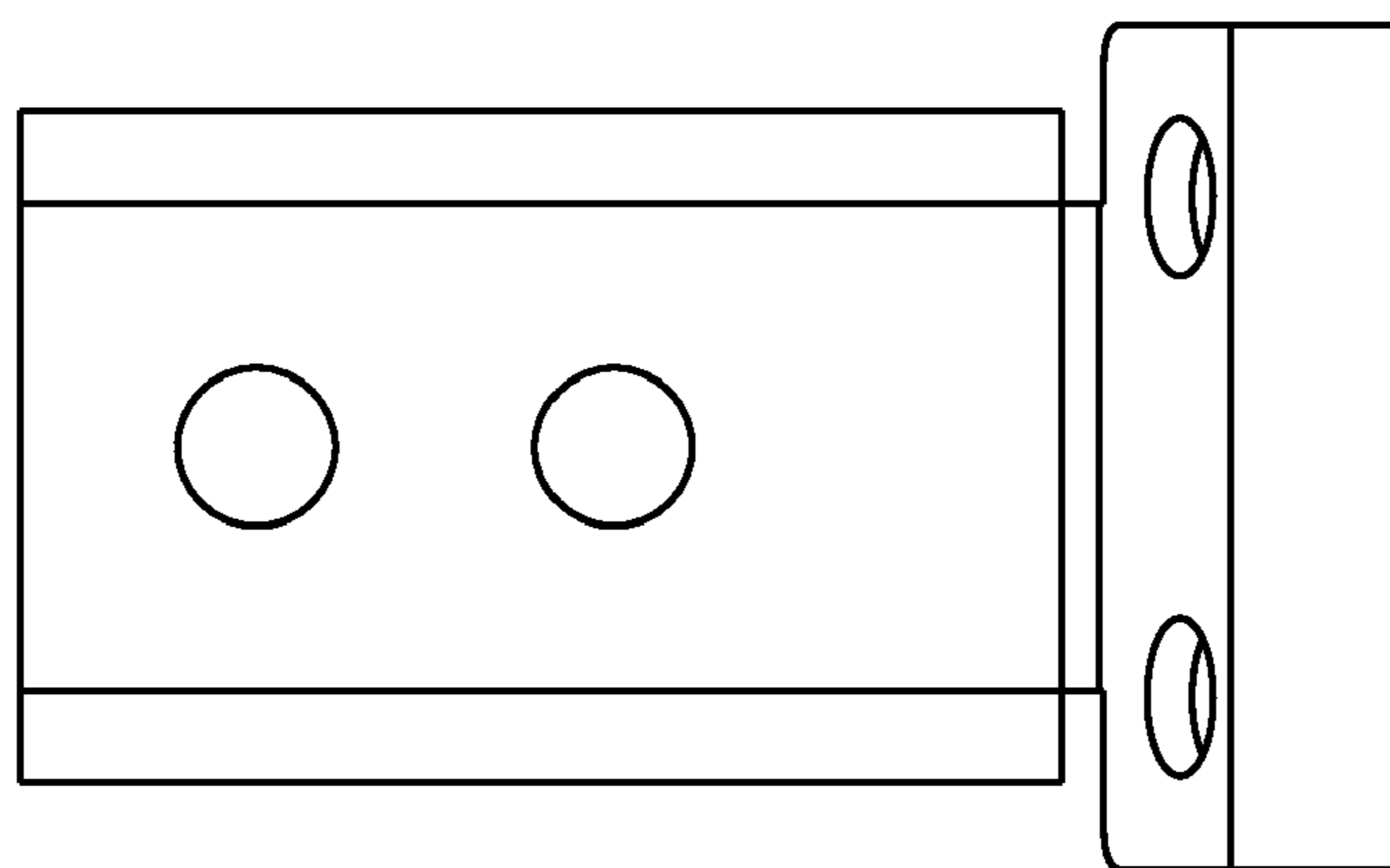


FIG. 2

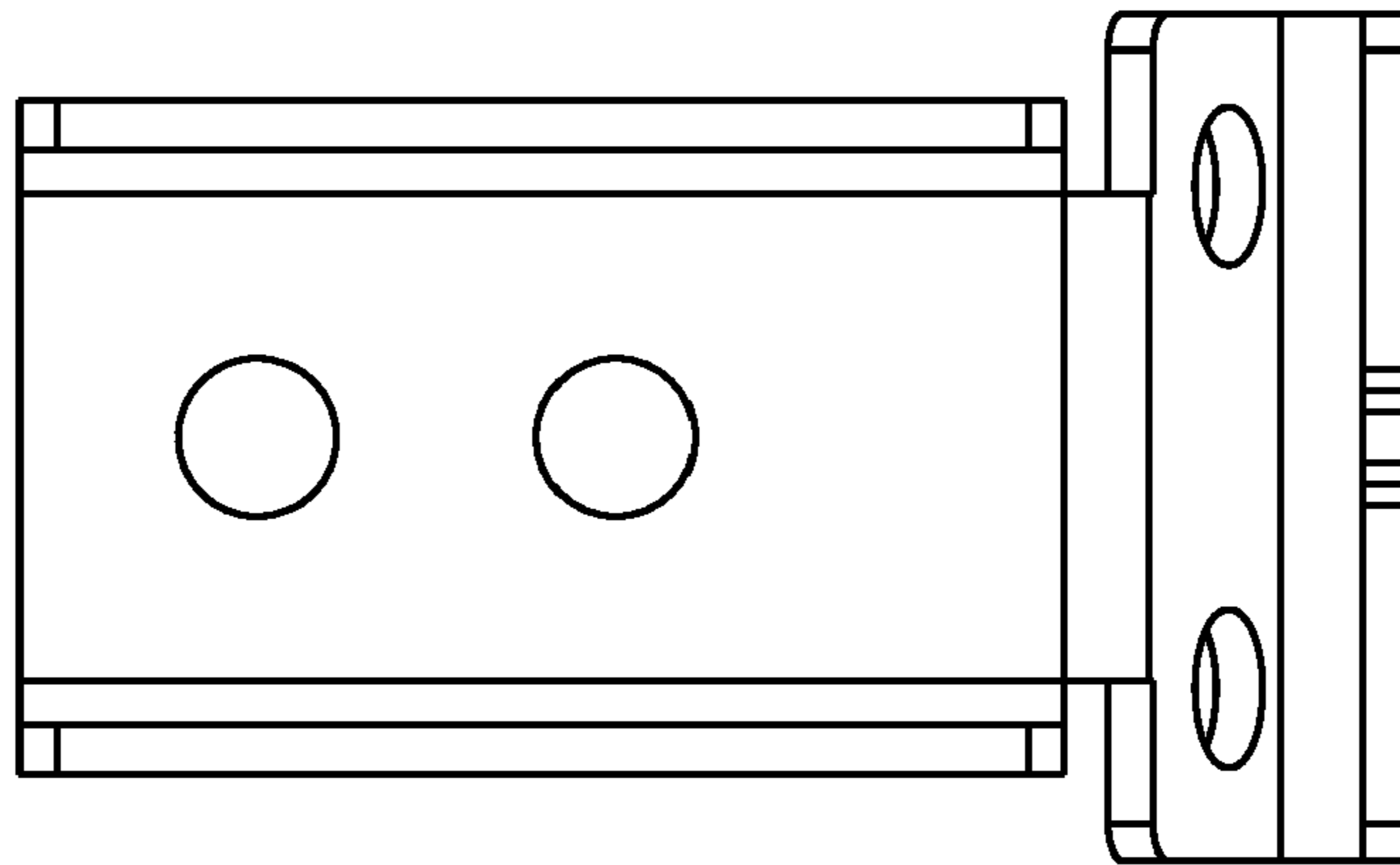


FIG. 3

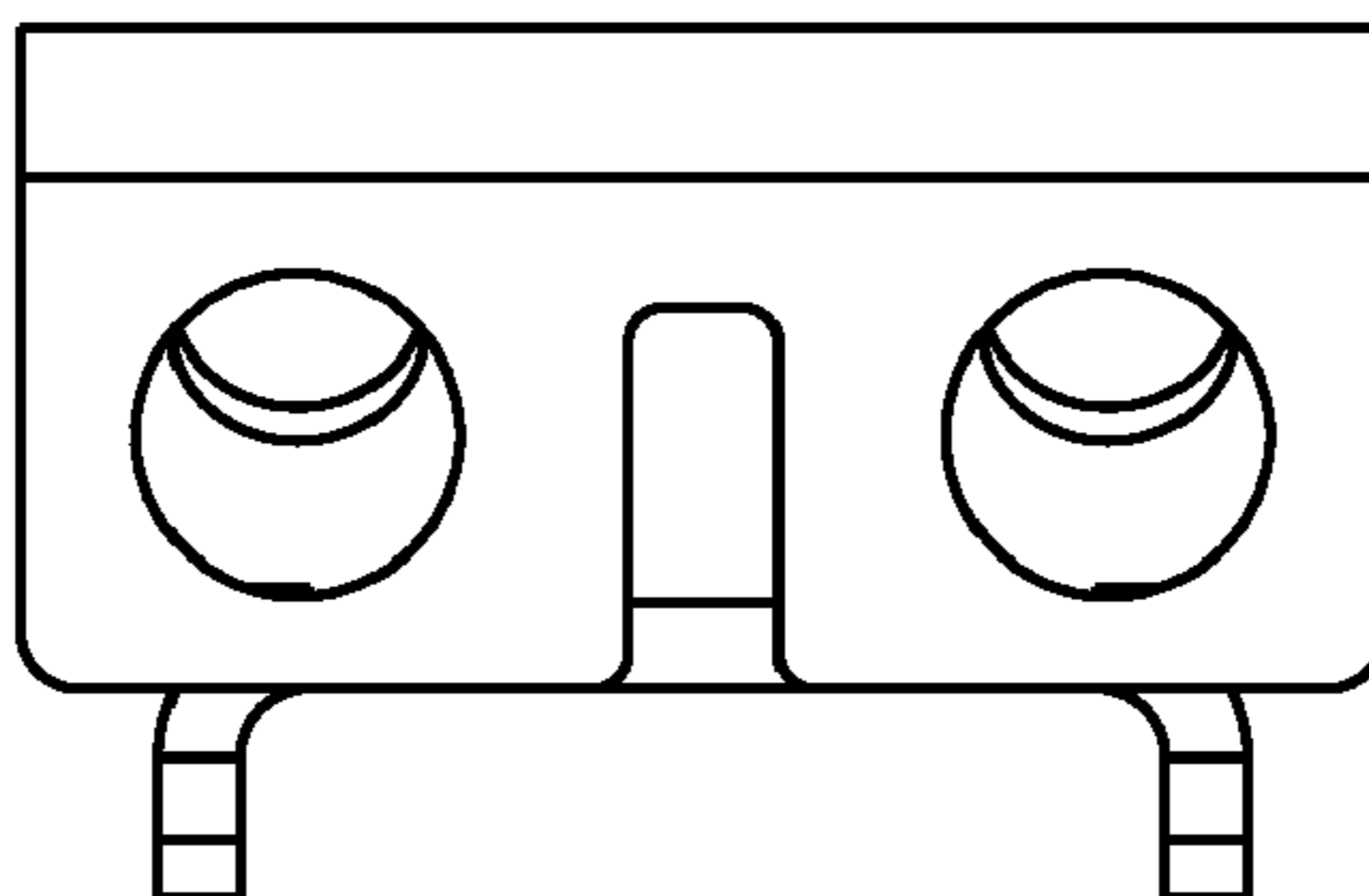


FIG. 4

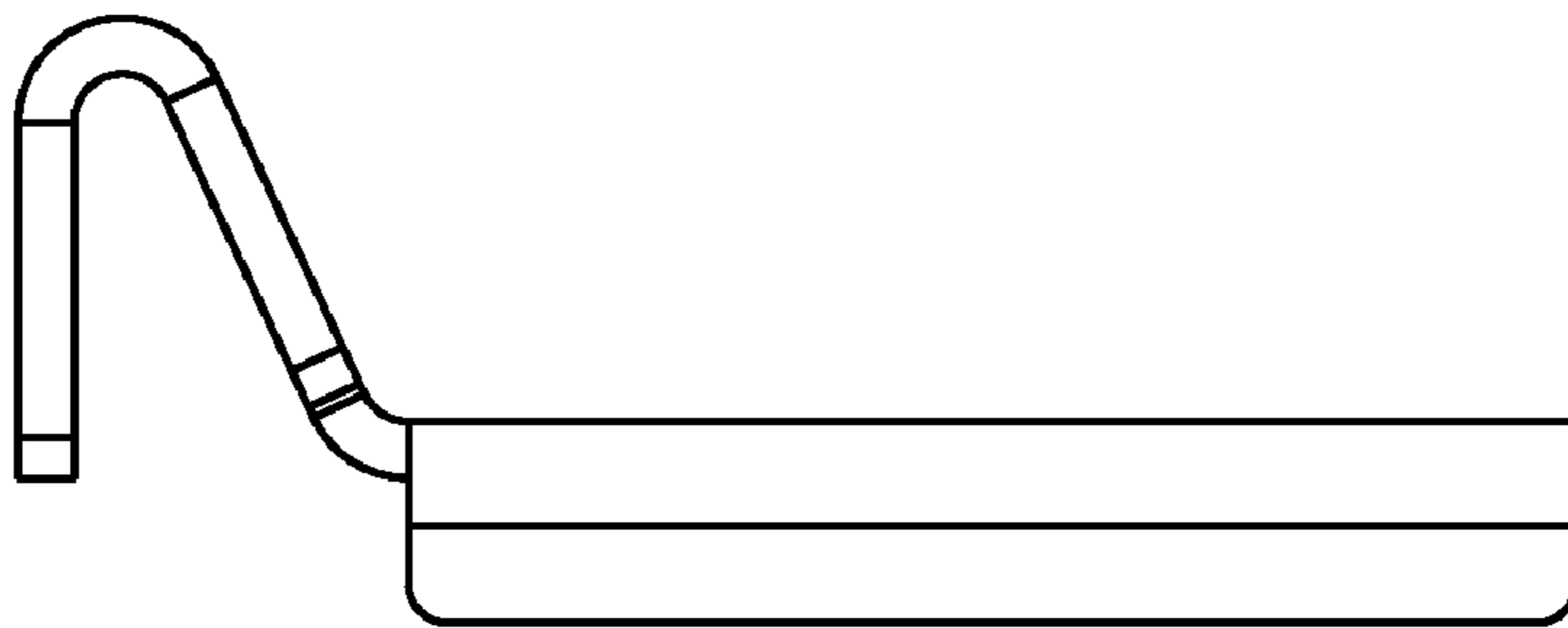


FIG. 5