



US00D655145S

(12) **United States Design Patent**  
**Smith et al.**

(10) **Patent No.:** **US D655,145 S**  
(45) **Date of Patent:** **\*\* Mar. 6, 2012**

(54) **MULTI-FUNCTIONAL SHARPENER**

(75) Inventors: **Richard S. Smith**, Hot Springs, AR (US); **Louis Chalfant**, Hot Springs, AR (US)

(73) Assignee: **Smith Abrasives, Inc**, Hot Springs, AR (US)

(\*\*) Term: **14 Years**

(21) Appl. No.: **29/349,794**

(22) Filed: **May 3, 2010**

(51) **LOC (9) Cl.** ..... **08-05**

(52) **U.S. Cl.** ..... **D8/91; D8/93**

(58) **Field of Classification Search** ..... D8/63, D8/90-94; 76/82, 84, 86-89; 451/552, 555-558  
See application file for complete search history.

(56) **References Cited**

**U.S. PATENT DOCUMENTS**

3,332,173	A *	7/1967	McMaster et al. ....	451/282
D241,504	S *	9/1976	Krusche et al. ....	D8/93
D280,286	S *	8/1985	Van Asten ....	D8/93
D303,209	S *	9/1989	Friel ....	D8/93
4,891,881	A *	1/1990	Mills ....	30/123
D310,620	S *	9/1990	Friel ....	D8/93
D409,891	S *	5/1999	Friel et al. ....	D8/93
6,802,763	B1 *	10/2004	Leung ....	451/267
7,254,855	B2 *	8/2007	McCreesh ....	7/164

\* cited by examiner

*Primary Examiner* — Philip S Hyder

*Assistant Examiner* — Roselynn Cody

(74) *Attorney, Agent, or Firm* — Edward D. Gilhooly

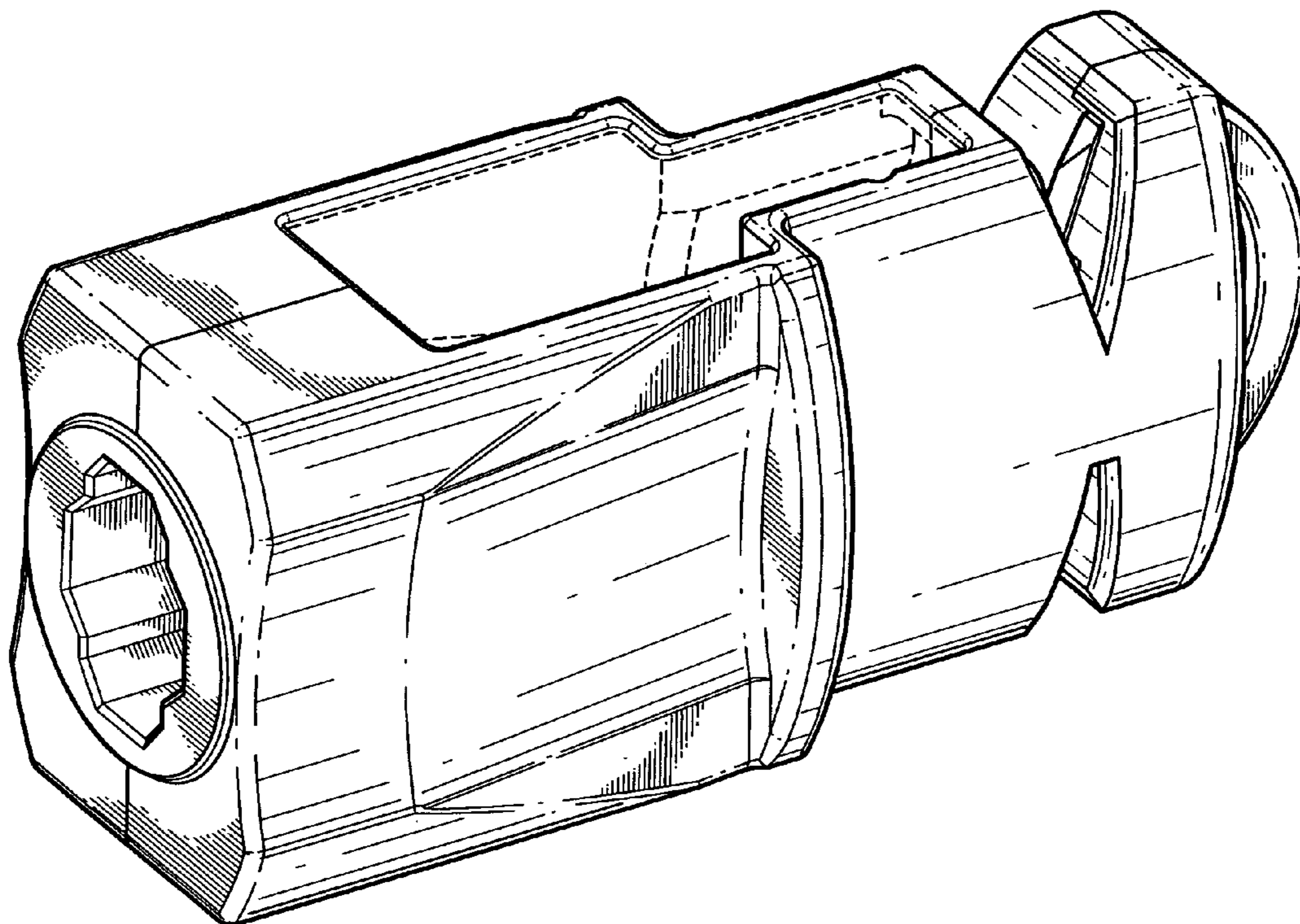
(57) **CLAIM**

The ornamental design for a multi-functional sharpener, as shown and described.

**DESCRIPTION**

FIG. 1 is a top perspective view of the design for a multi-functional sharpener of the invention;  
FIG. 2 is a front elevational view of the multi-functional sharpener of FIG. 1;  
FIG. 3 is a top plan view of the multi-functional sharpener of FIG. 1;  
FIG. 4 is a left side elevational view, viewing FIG. 2, of the multi-functional sharpener of FIG. 1;  
FIG. 5 is a right side elevational view, viewing FIG. 2, of the multi-functional sharpener of FIG. 1;  
FIG. 6 is a front elevational view of the multi-functional sharpener of FIG. 1; and,  
FIG. 7 is a top plan view of the multi-functional sharpener of FIG. 1.  
The broken lines in the figures illustrate portions of the multi-functional sharpener that form no part of the claim.

**1 Claim, 4 Drawing Sheets**



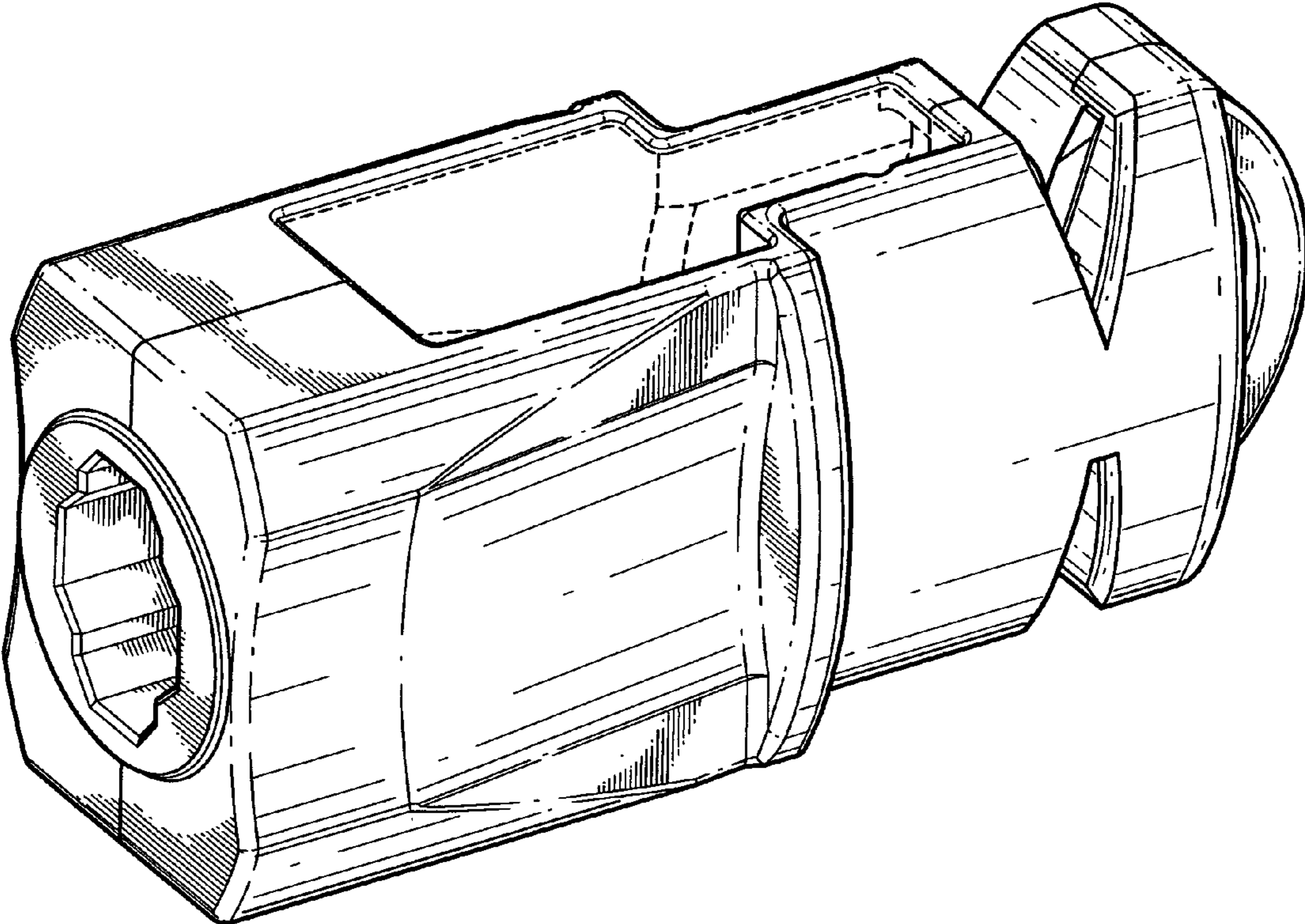


FIG. 1

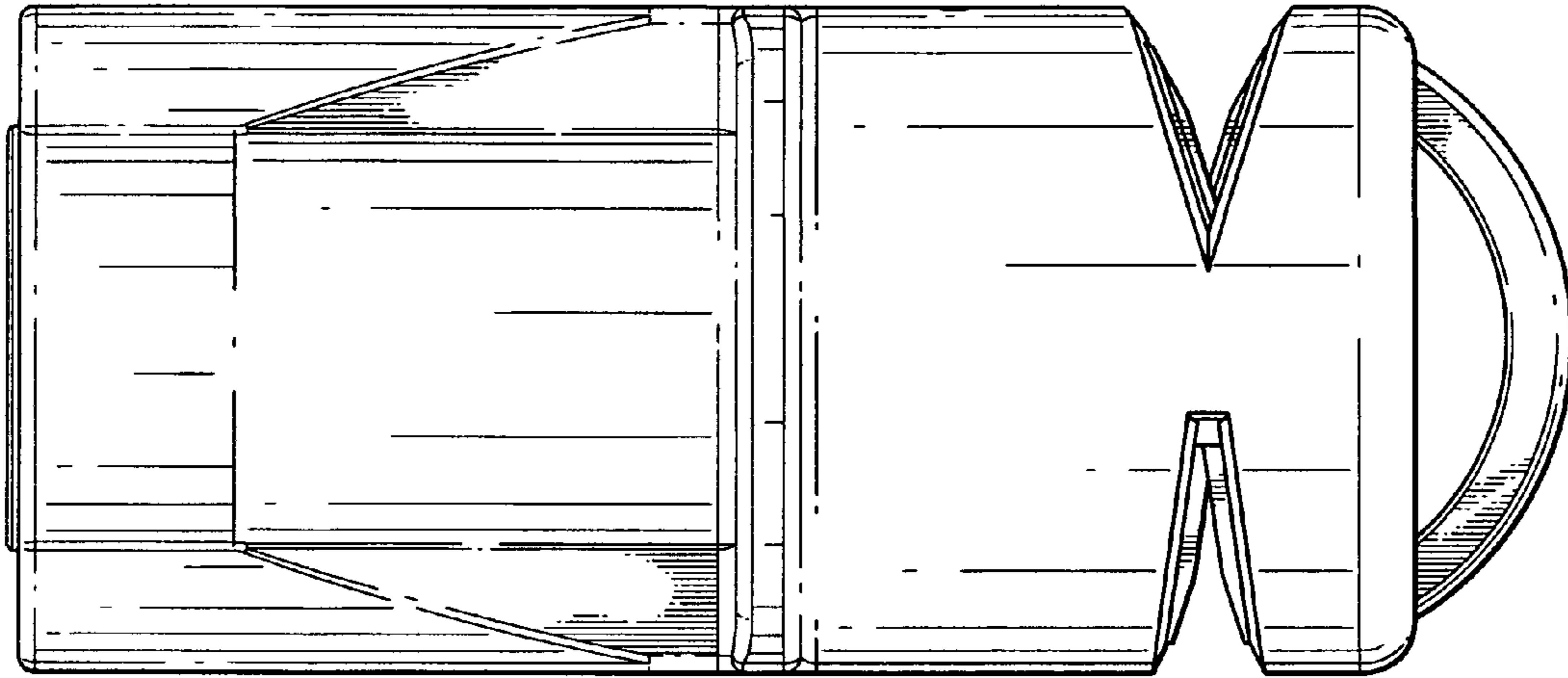


FIG. 2

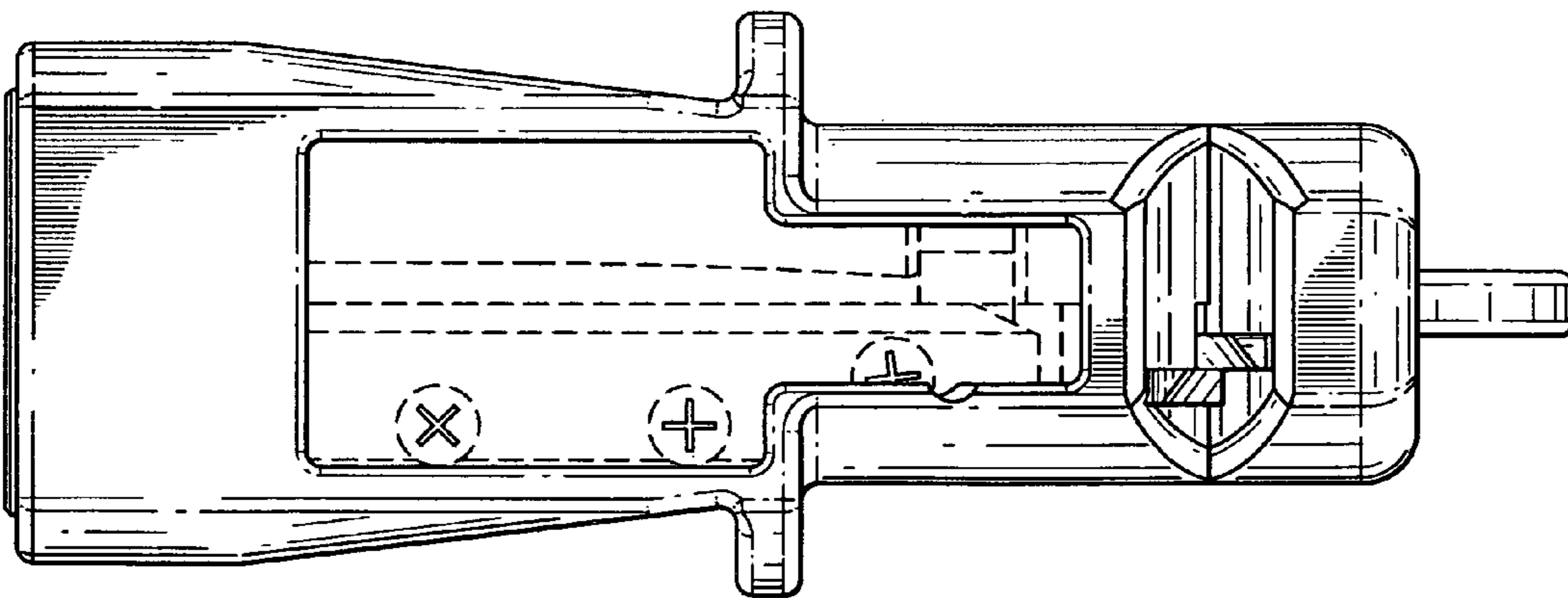


FIG. 3

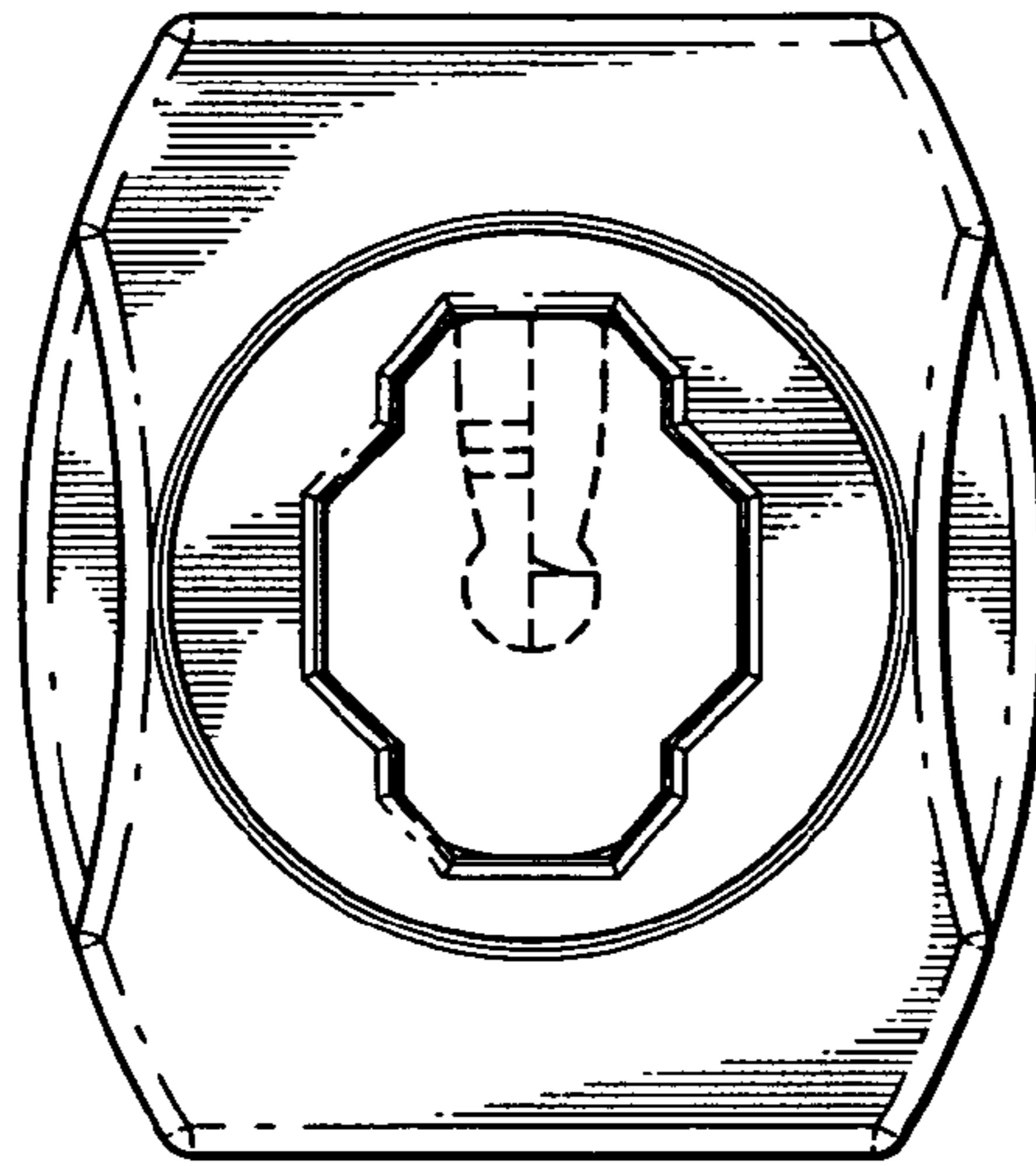


FIG. 4

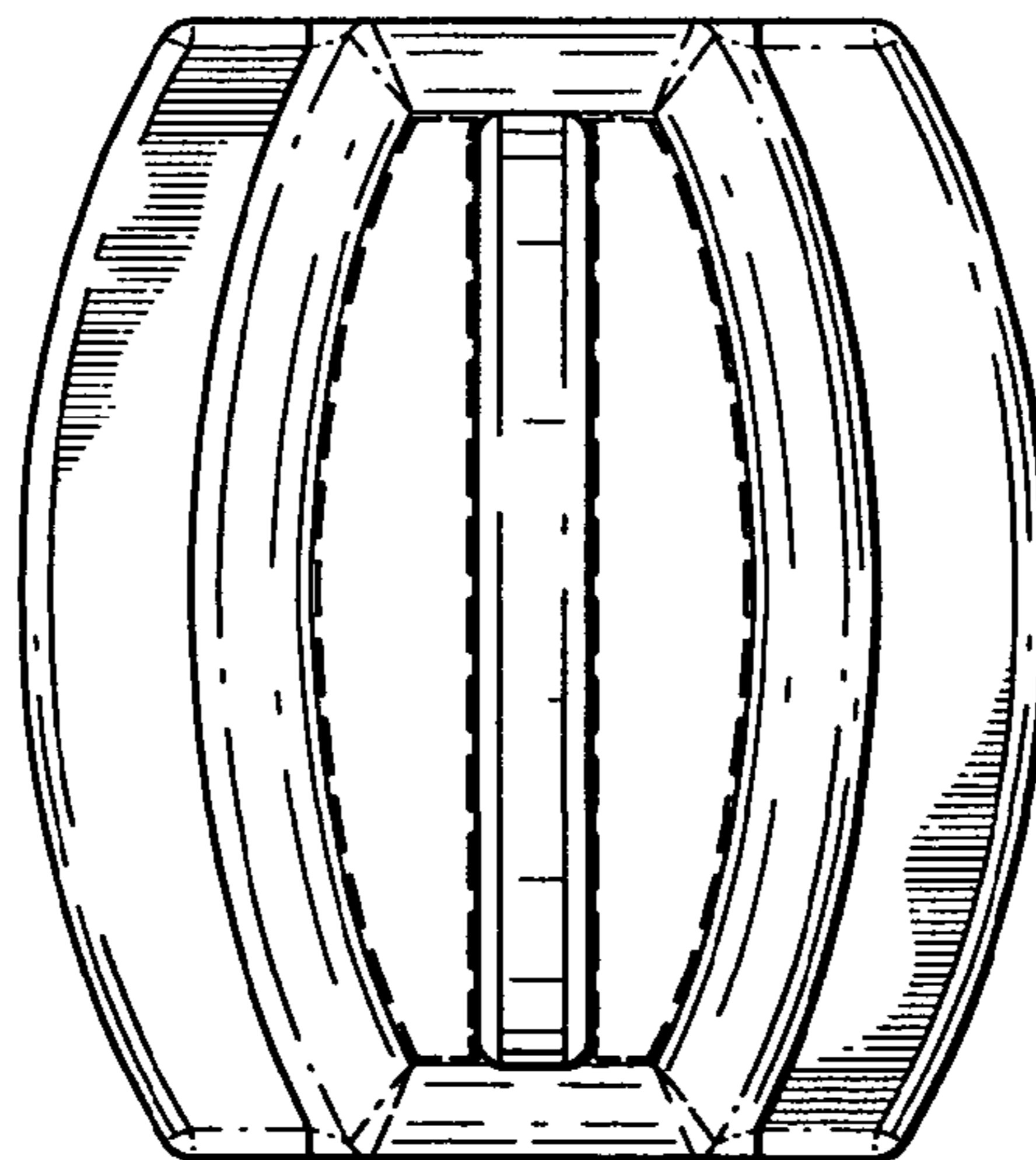


FIG. 5

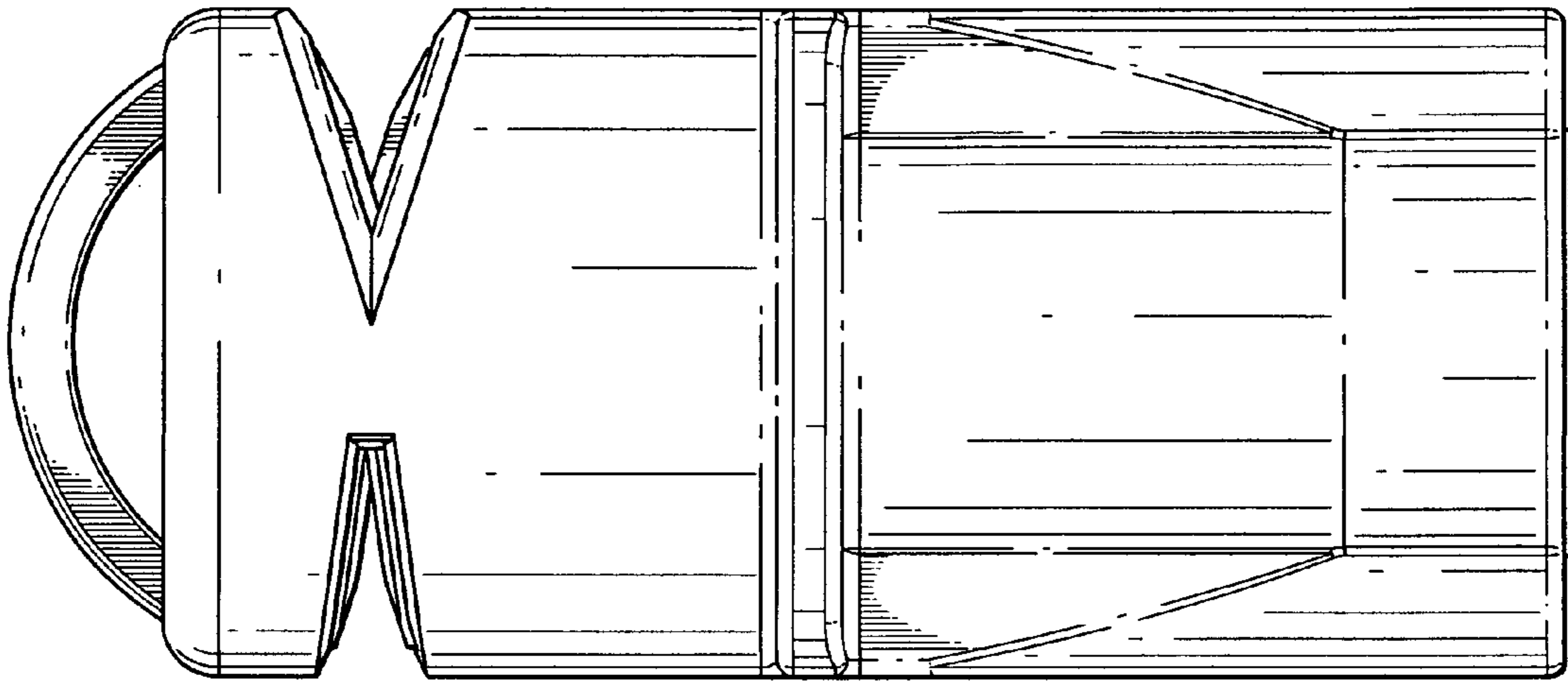


FIG. 6

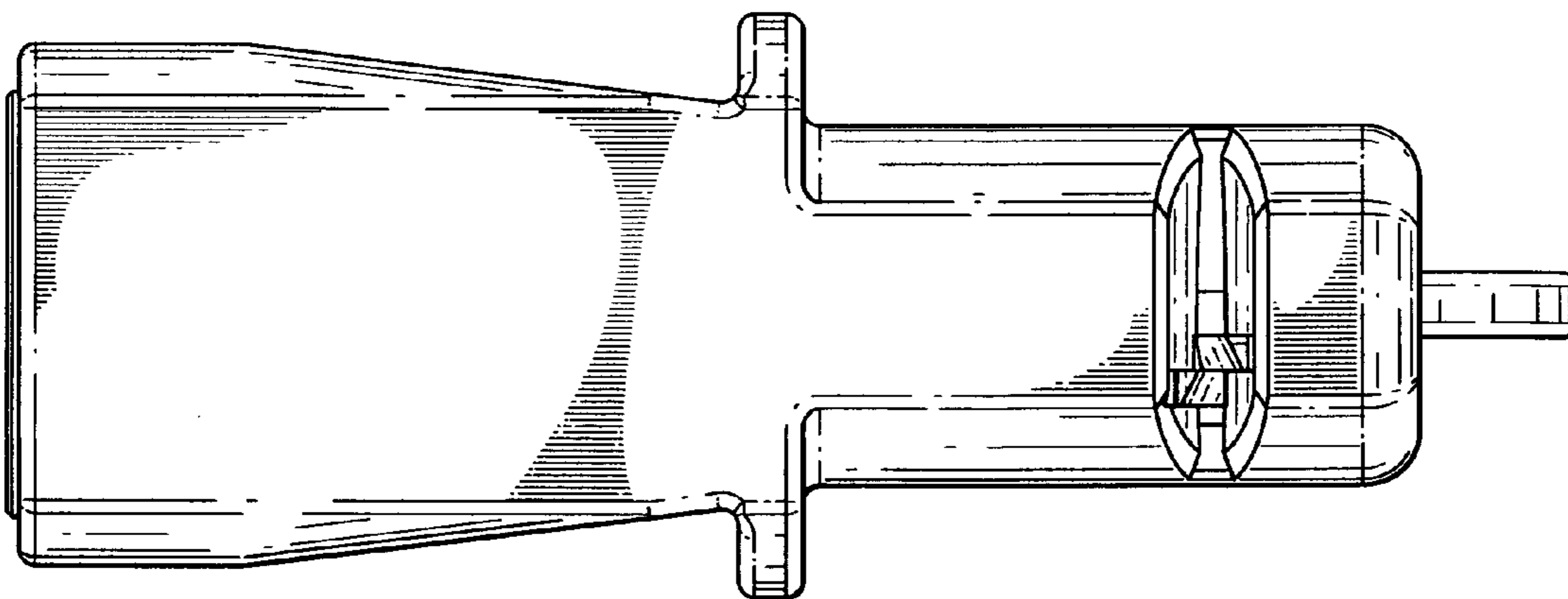


FIG. 7