



US00D655144S

(12) **United States Design Patent**
Hajarizadeh

(10) **Patent No.:** **US D655,144 S**

(45) **Date of Patent:** **** *Mar. 6, 2012**

(54) **WEDGING TOOL**

(76) Inventor: **Majid Hajarizadeh**, Portland, OR (US)

(*) Notice: This patent is subject to a terminal disclaimer.

(**) Term: **14 Years**

(21) Appl. No.: **29/349,571**

(22) Filed: **Apr. 14, 2010**

(51) **LOC (9) Cl.** **08-05**

(52) **U.S. Cl.** **D8/47**

(58) **Field of Classification Search** D8/14,
D8/47, 51, 88; 254/104; 292/342
See application file for complete search history.

(56) **References Cited**

U.S. PATENT DOCUMENTS

159,949	A *	2/1875	McDermott	254/104
165,984	A *	7/1875	Cosbey	254/104
466,104	A *	12/1891	Naegele	292/343
542,559	A *	7/1895	Harmon	254/104
759,868	A *	5/1904	Eich	254/104
D107,109	S *	11/1937	Carter	D8/47
3,381,937	A *	5/1968	Zillman	254/104
D238,745	S *	2/1976	Bedard et al.	D8/47
D268,804	S *	5/1983	Bacon	D8/14
4,433,463	A *	2/1984	DuVal	29/239

D317,482	S *	6/1991	Michaelsen et al.	D8/88
RE34,889	E *	4/1995	Fogarty et al.	14/69.5
5,690,316	A *	11/1997	Madjarac	254/104
D406,028	S *	2/1999	Montgomery	D8/47
D410,380	S *	6/1999	Towns	D8/402
D563,744	S *	3/2008	Adwar	D8/47
D590,676	S *	4/2009	Pickard	D8/47
7,644,964	B2 *	1/2010	Bushey et al.	292/342
D622,569	S *	8/2010	Montross	D8/47
D632,937	S *	2/2011	Montross	D8/47

* cited by examiner

Primary Examiner — Phillip S Hyder

Assistant Examiner — Roselyne Ulm Cody

(74) *Attorney, Agent, or Firm* — Portland Intellectual Property, LLC

(57) **CLAIM**

The ornamental design for a wedging tool, substantially as shown and described.

DESCRIPTION

FIG. 1 is an isometric view of a wedging tool showing my new design.

FIG. 2 is a left side elevation thereof, with the right side elevation being a mirror image of the left side elevation.

FIG. 3 is a top plan view thereof.

FIG. 4 is a bottom plan view thereof.

FIG. 5 is a front elevation thereof; and,

FIG. 6 is a rear elevation thereof.

1 Claim, 2 Drawing Sheets

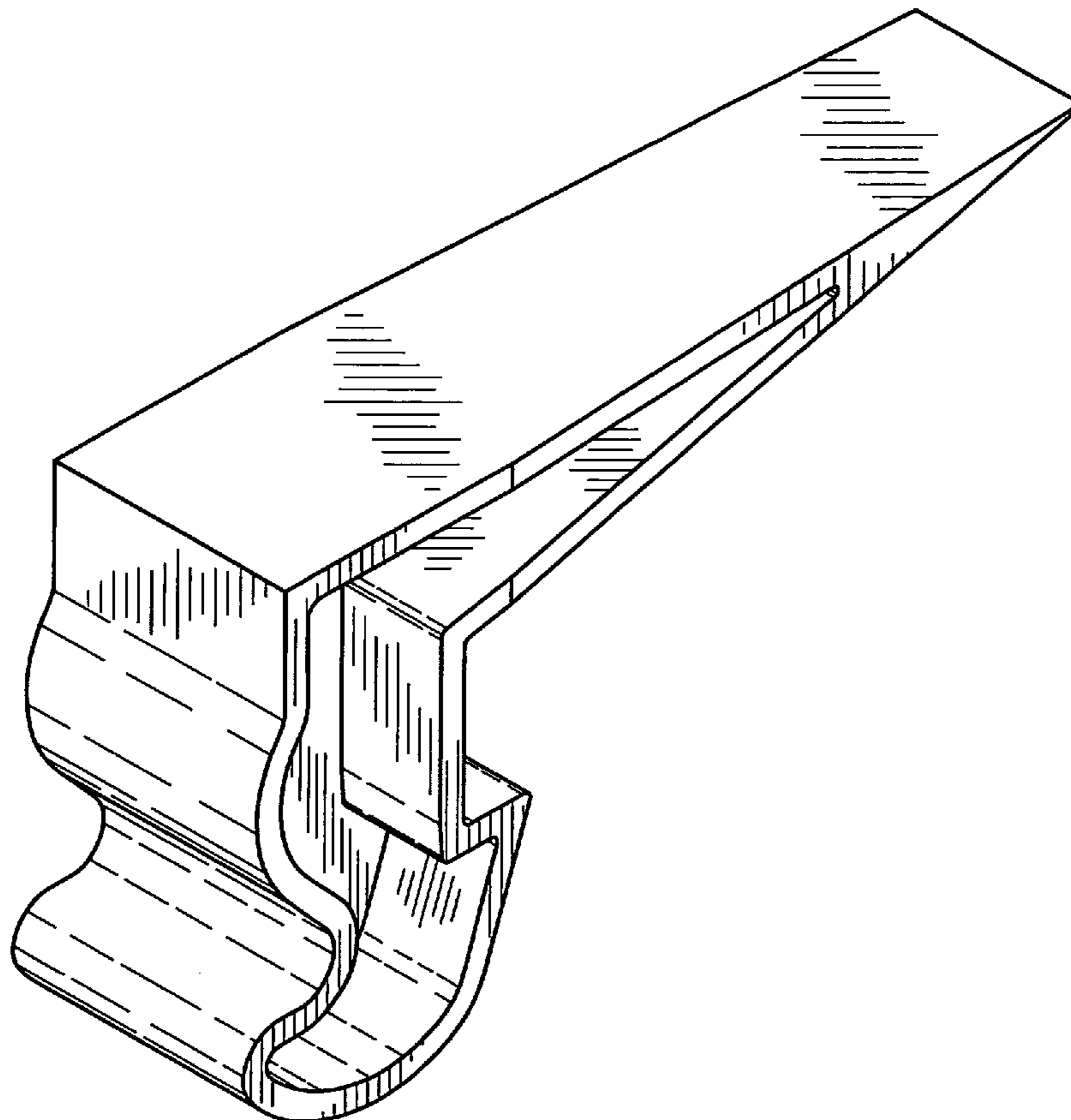


Fig. 2

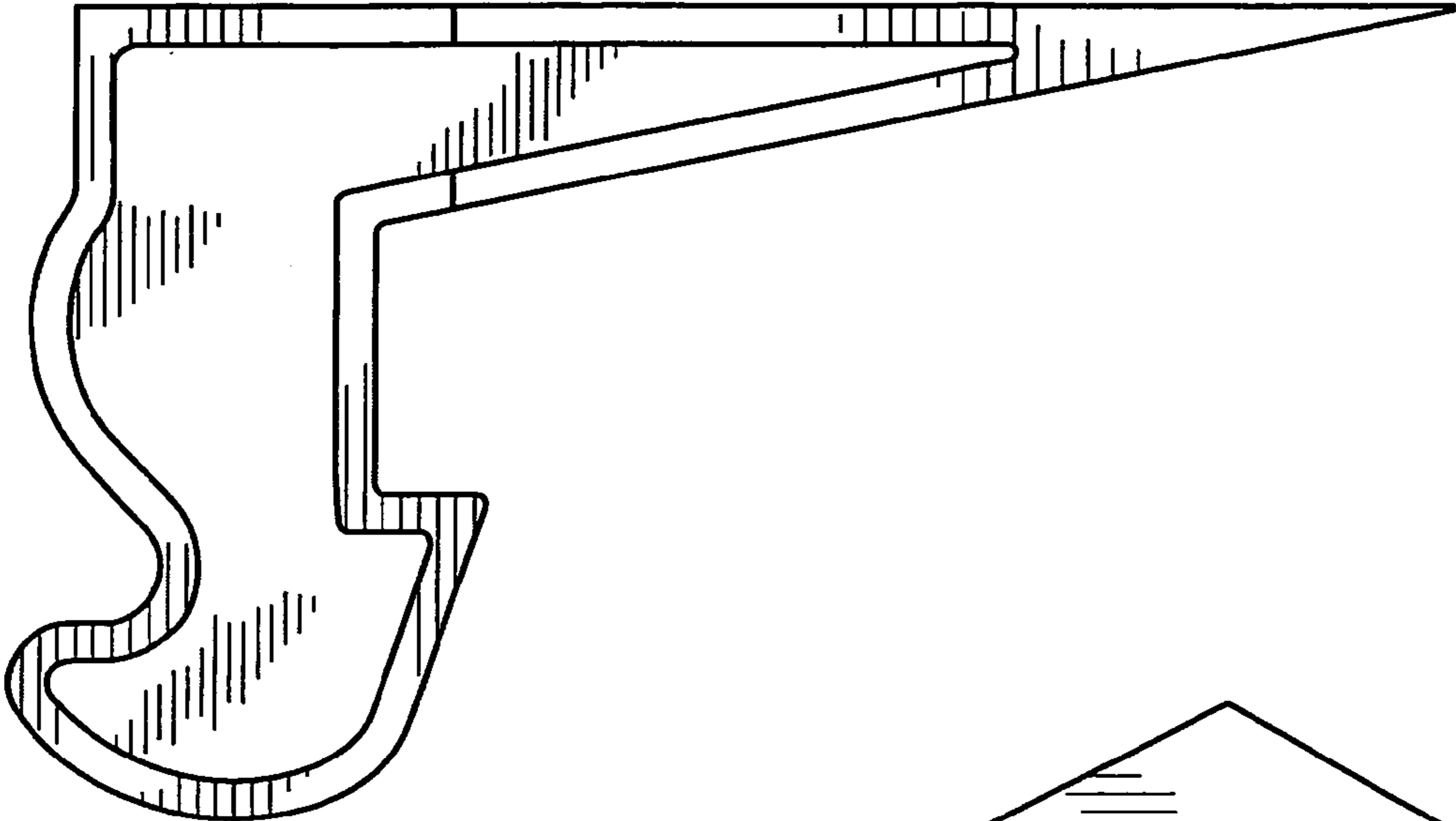


Fig. 1

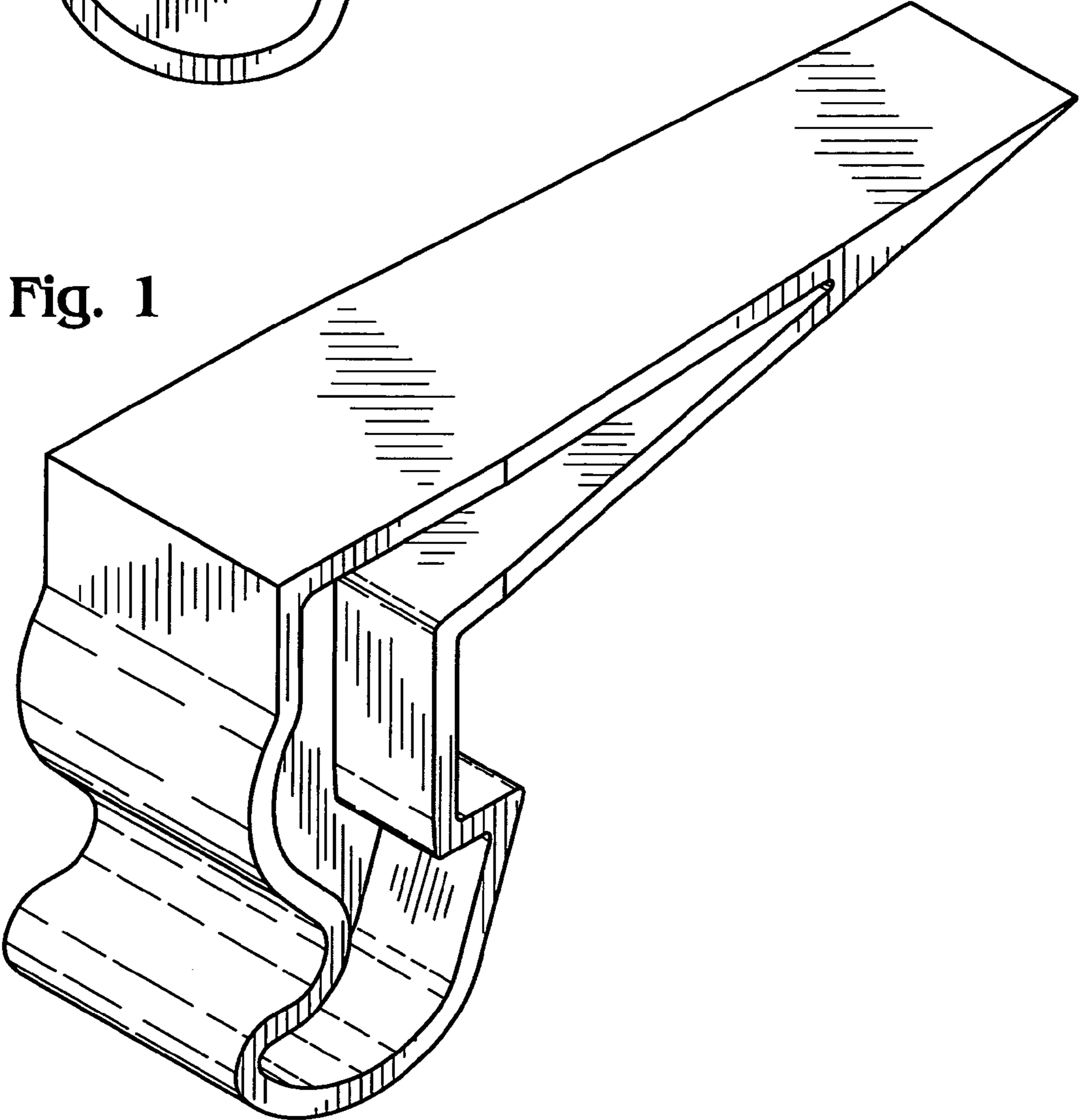


Fig. 3

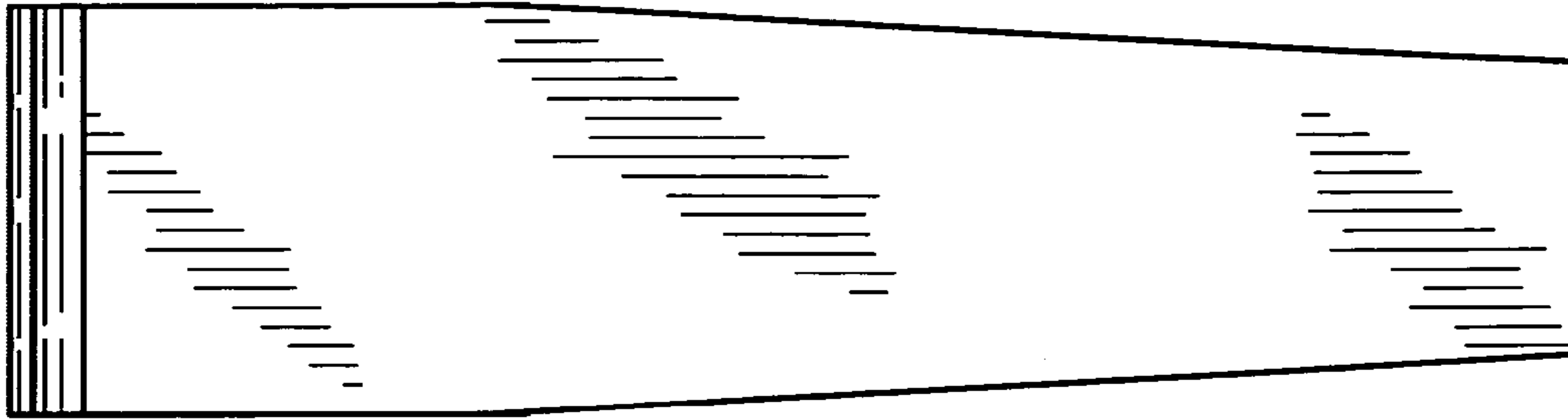


Fig. 4

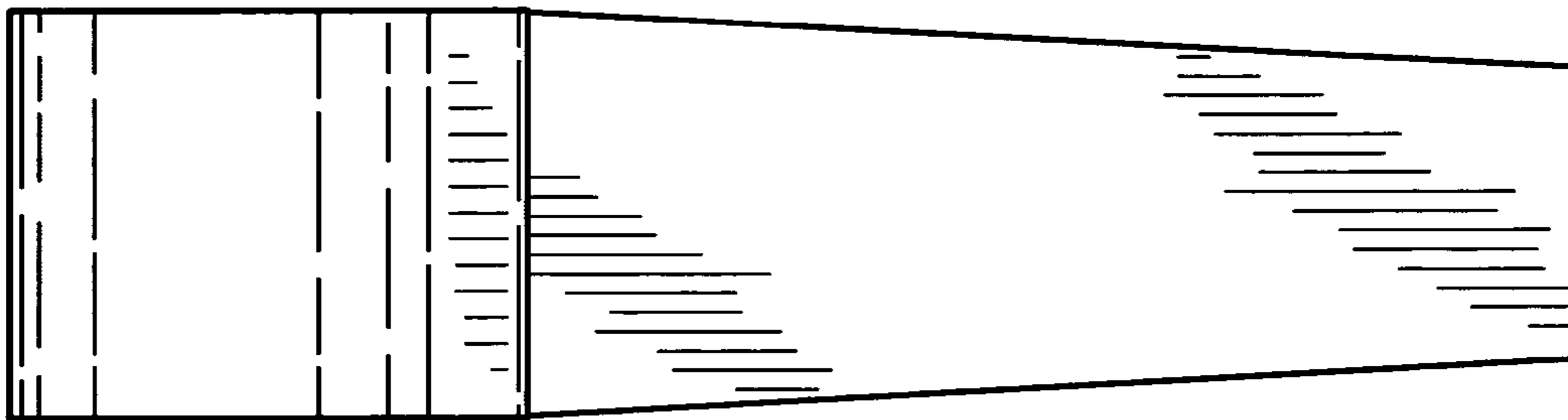


Fig. 5

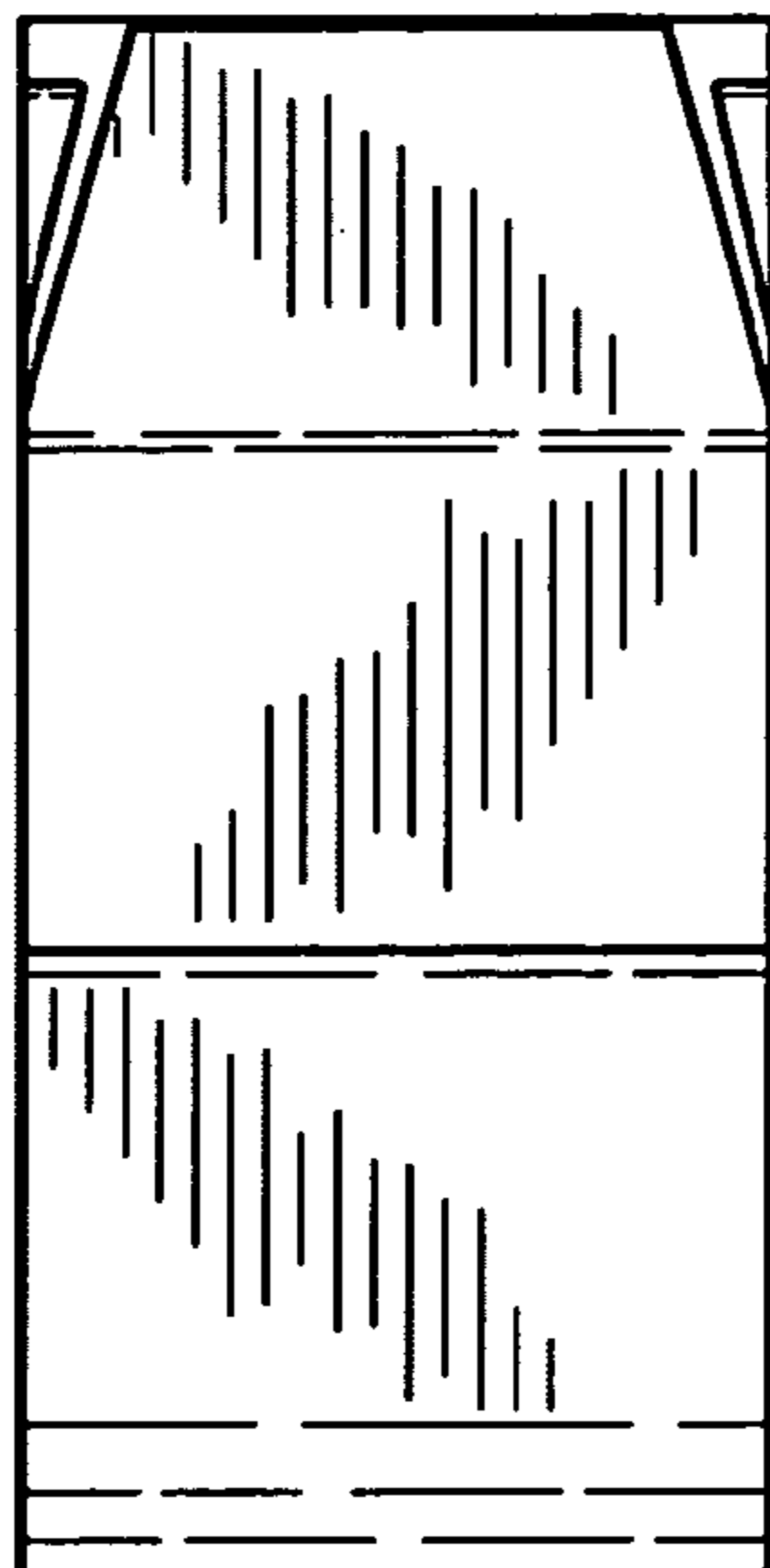


Fig. 6

