

US00D655142S

(12) **United States Design Patent**  
**Glynn et al.**

(10) **Patent No.:** **US D655,142 S**  
(45) **Date of Patent:** **\*\* \*Mar. 6, 2012**

(54) **DYNAMIC ENTRY TOOL DEVICE**

(75) Inventors: **Kenneth P. Glynn**, Raritan Township, Hunterdon County, NJ (US); **John A. Dapkins, Jr.**, Bloomsbury, NJ (US); **Nicholas Klementowicz, III**, Hillsborough Township, Somerset County, NJ (US)

(73) Assignee: **Jersey Tactical Corp.**, Lopatcong, NJ (US)

(\*) Notice: This patent is subject to a terminal disclaimer.

(\*\*) Term: **14 Years**

(21) Appl. No.: **29/307,234**

(22) Filed: **Apr. 7, 2008**

(51) **LOC (9) Cl.** ..... **08-05**

(52) **U.S. Cl.** ..... **D8/14**

(58) **Field of Classification Search** ..... D8/14,  
D8/75, 76, 77, 81, 88, 89; 29/254; D22/117;  
173/90

See application file for complete search history.

(56) **References Cited**

U.S. PATENT DOCUMENTS

3,219,316 A \* 11/1965 Fried ..... 254/131  
3,710,407 A \* 1/1973 Reid ..... 7/144  
4,681,171 A \* 7/1987 Kee et al. .... 173/90

D305,718 S \* 1/1990 Ashcraft ..... D8/14  
5,067,237 A \* 11/1991 Holder ..... 30/1  
5,177,850 A \* 1/1993 Hull et al. .... 29/254  
5,329,685 A \* 7/1994 Gillespie ..... 29/254  
6,631,668 B1 \* 10/2003 Wilson et al. .... 89/1.14  
7,337,515 B2 \* 3/2008 Phillips et al. .... 29/254  
D570,655 S \* 6/2008 Meagher et al. .... D8/14

\* cited by examiner

*Primary Examiner* — Adir Aronovich

(74) *Attorney, Agent, or Firm* — Ernest D. Buff; Ernest D. Buff & Associates LLC

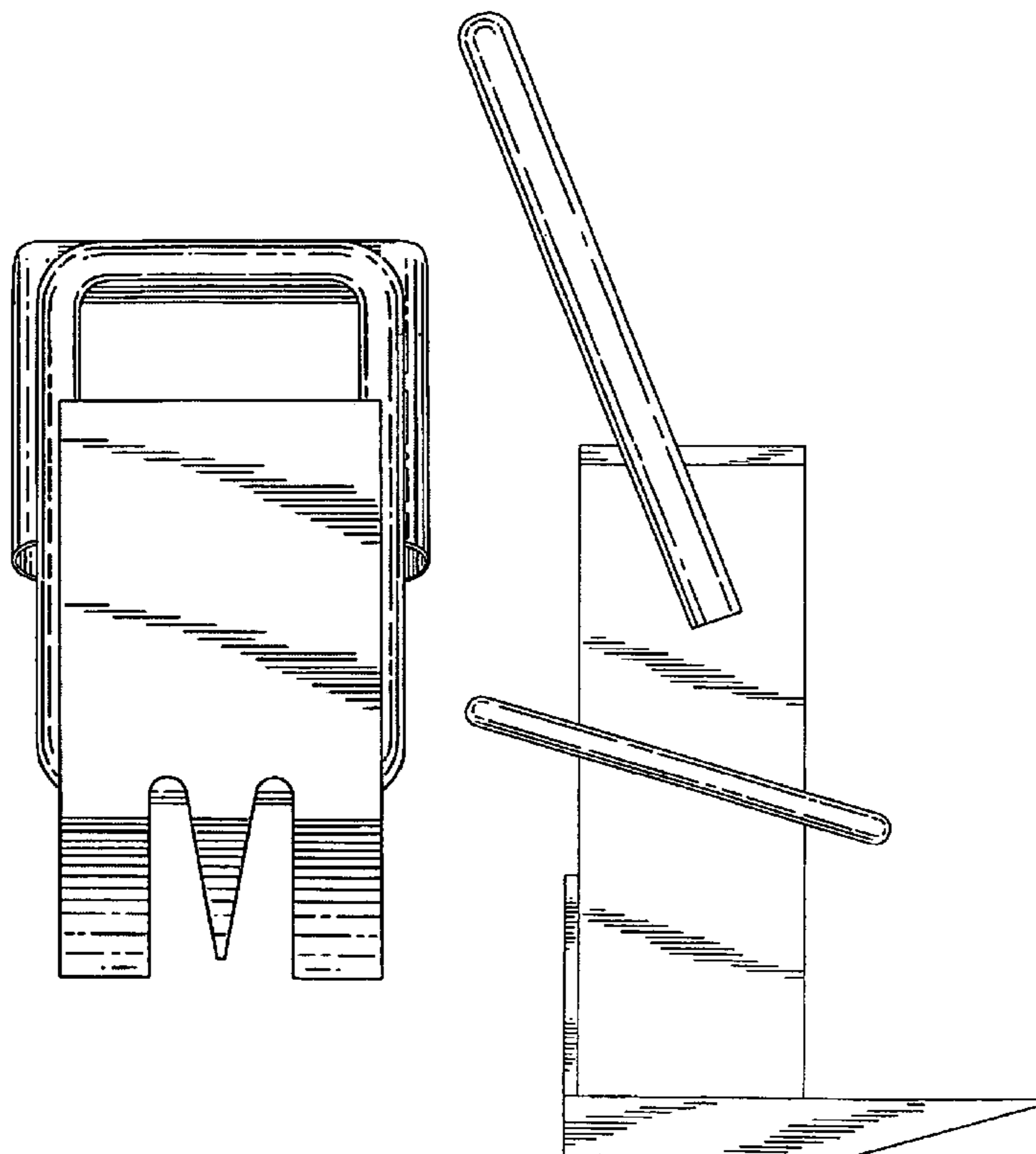
(57) **CLAIM**

The ornamental design for a dynamic entry tool device, as shown and described.

**DESCRIPTION**

FIG. 1 is a front elevational view of a dynamic entry tool device showing our present invention; FIG. 2 is a rear elevational view of the dynamic entry tool device shown in FIG. 1; FIG. 3 is a right side elevational view of the dynamic entry tool device shown in FIG. 1; FIG. 4 is a left side elevational view of the dynamic entry tool device shown in FIG. 1; FIG. 5 is a top plan view of the dynamic entry tool device shown in FIG. 1; and, FIG. 6 is a bottom plan view of the dynamic entry tool device shown in FIG. 1.

**1 Claim, 6 Drawing Sheets**



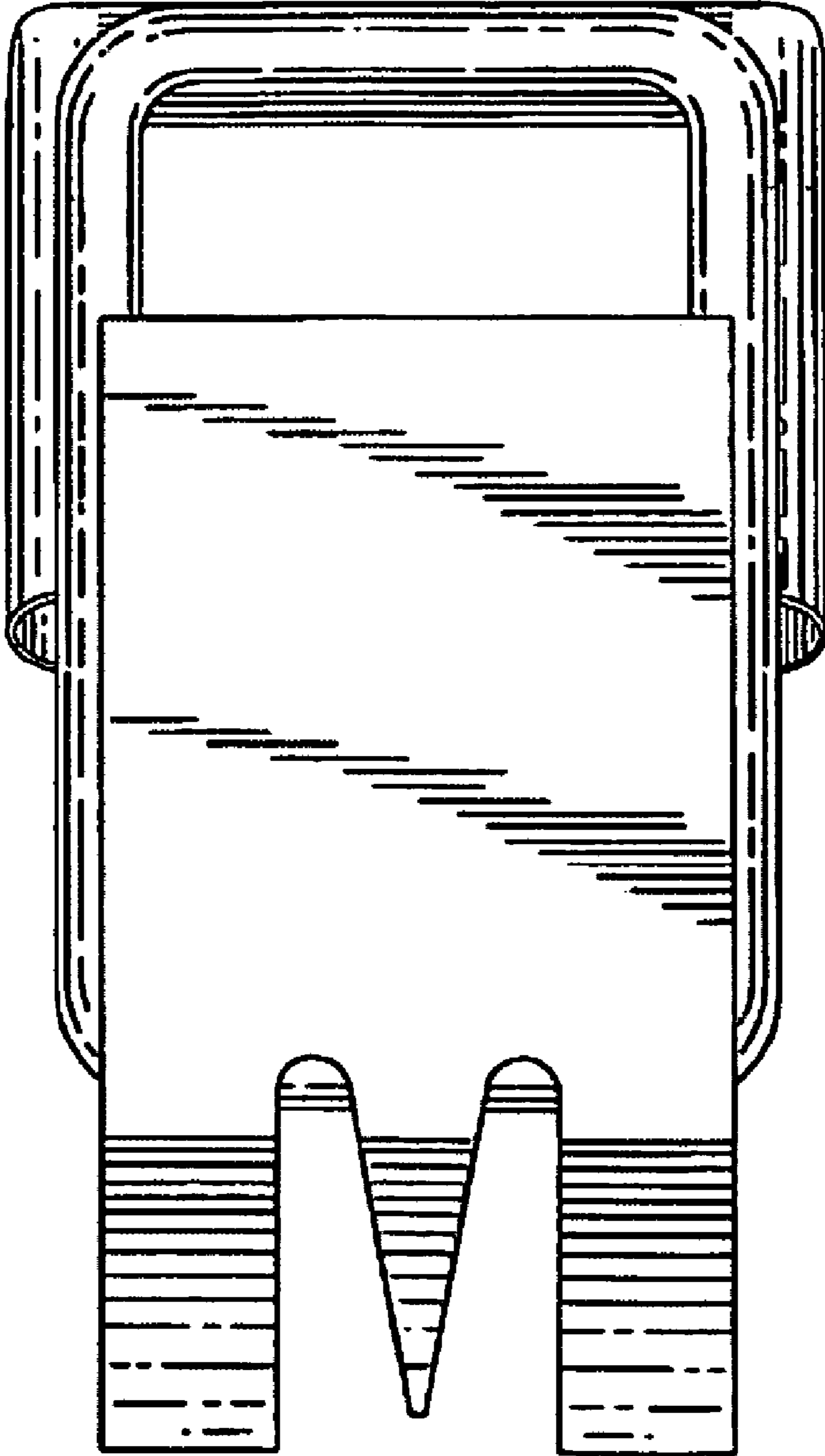


FIG. 1

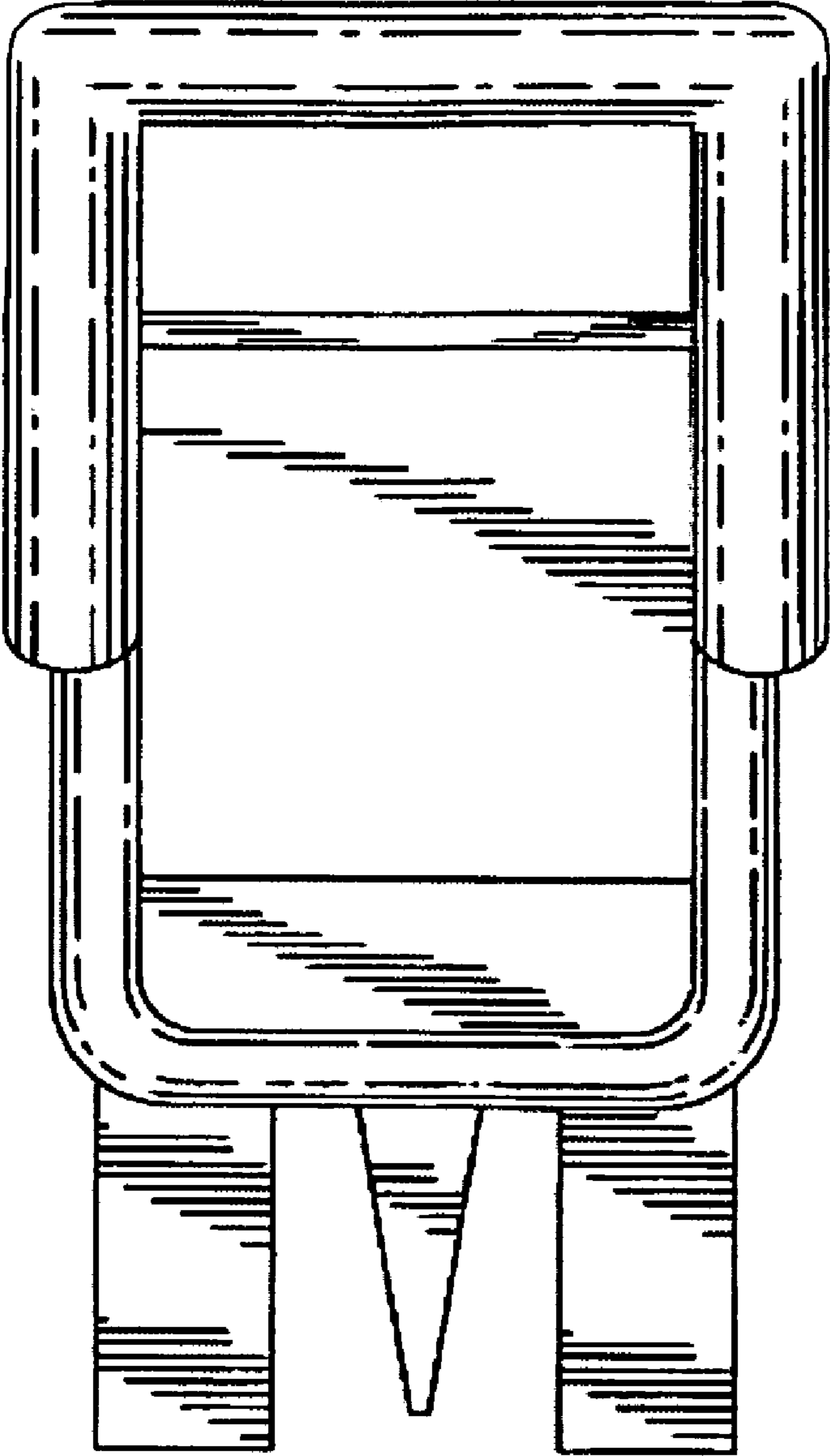


FIG. 2

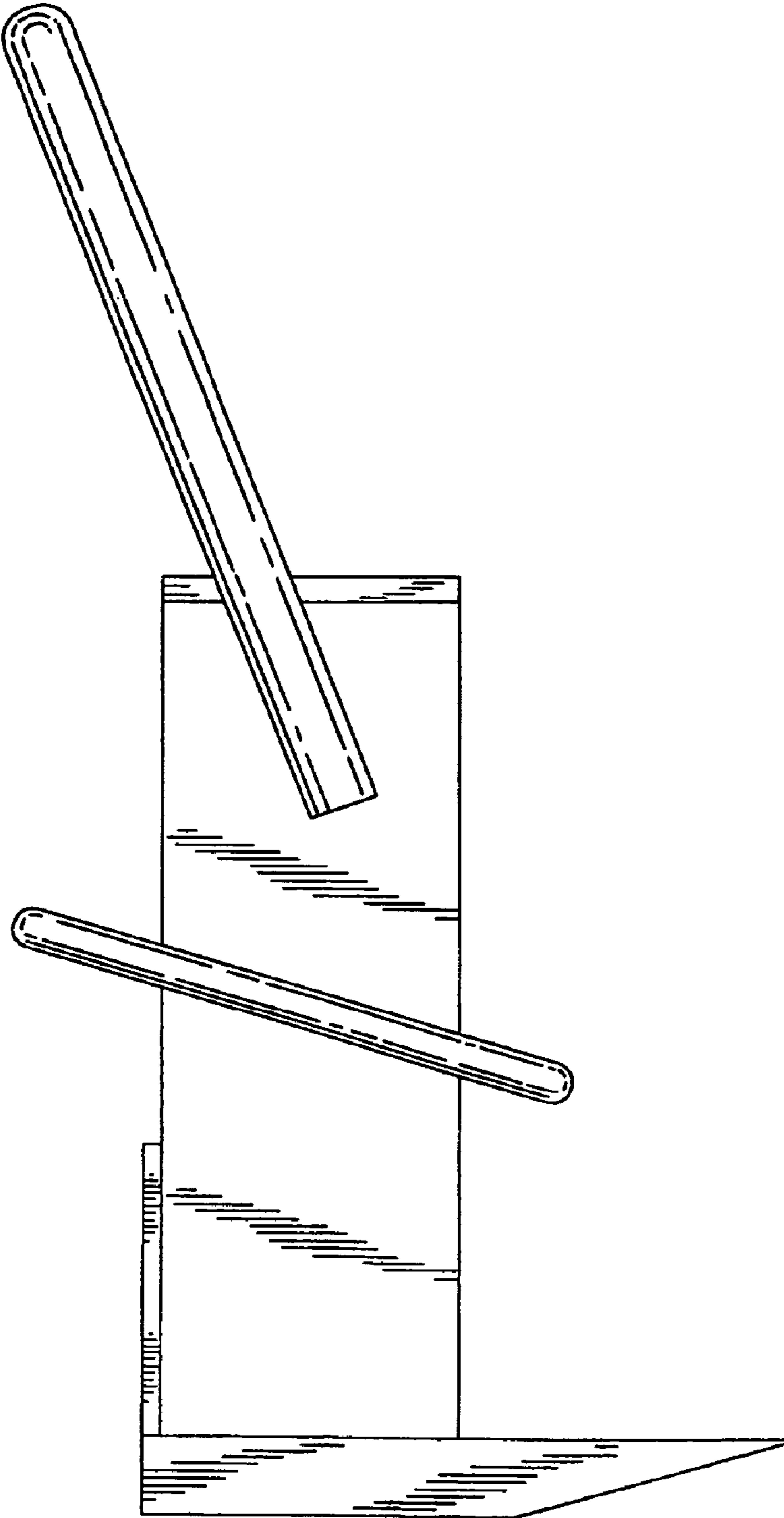


FIG. 3

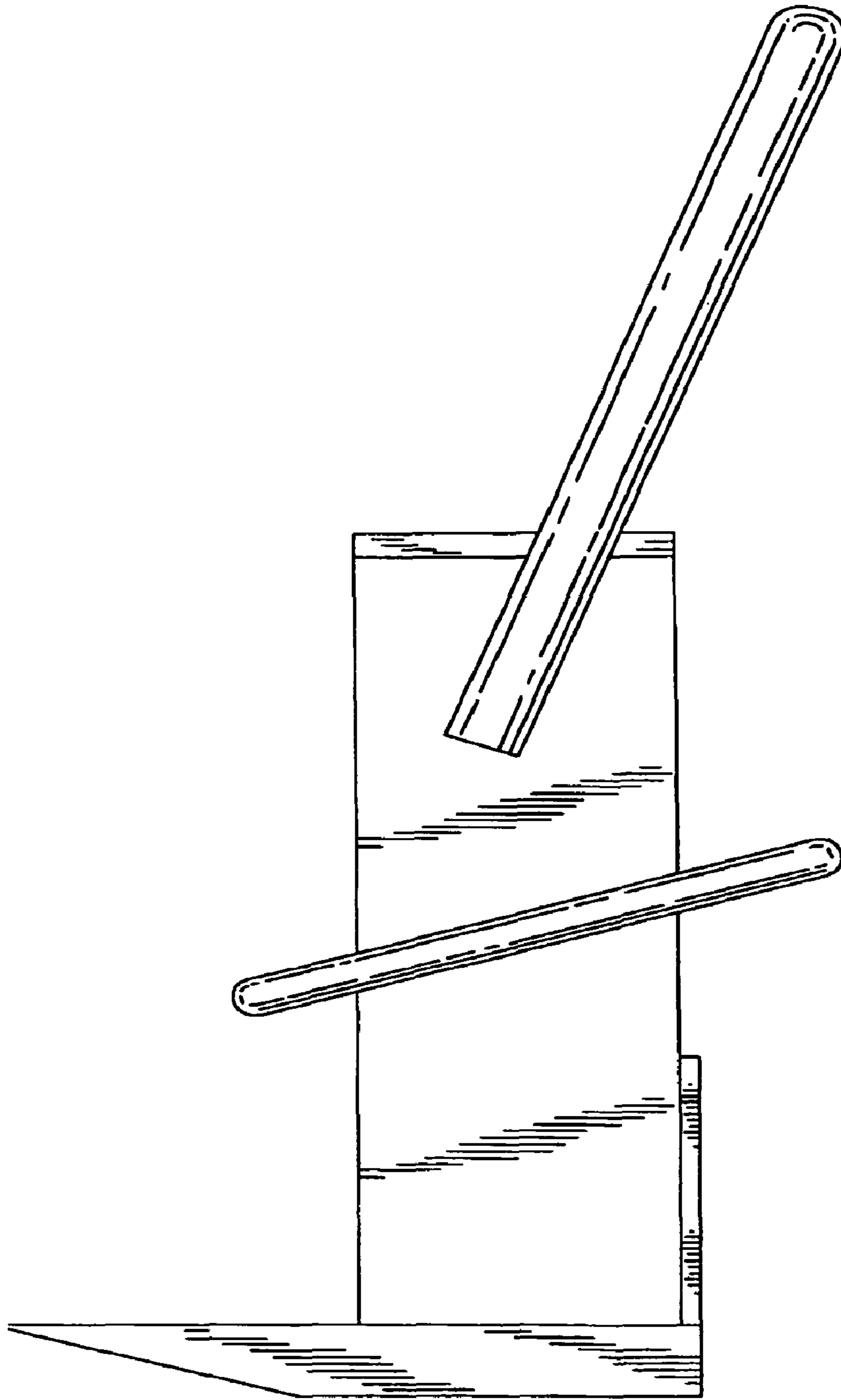


FIG. 4

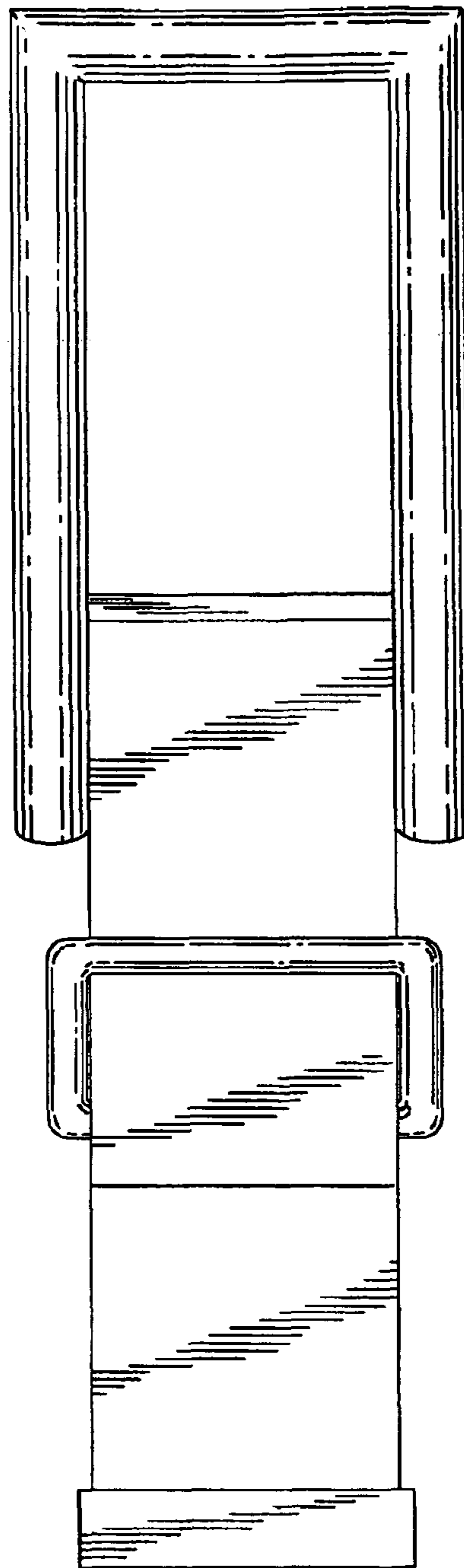


FIG. 5

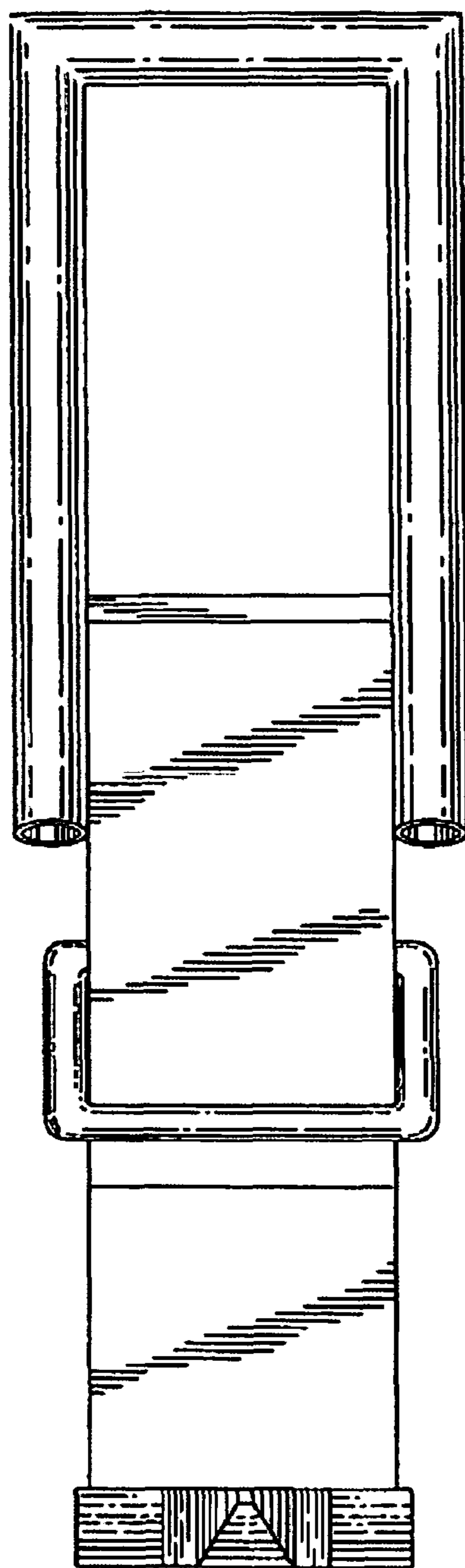


FIG. 6