



US00D655141S

(12) **United States Design Patent**  
**Isorez**

(10) **Patent No.:** **US D655,141 S**  
(45) **Date of Patent:** **\*\* Mar. 6, 2012**

(54) **RAISED GARDEN BED**

(75) Inventor: **Laurent Isorez**, Coral Gables, FL (US)

(73) Assignee: **Yardigreen, Inc.**, Miami, FL (US)

(\*\*) Term: **14 Years**

(21) Appl. No.: **29/378,580**

(22) Filed: **Nov. 5, 2010**

(51) **LOC (9) Cl.** ..... **08-01**

(52) **U.S. Cl.** ..... **D8/1**

(58) **Field of Classification Search** ..... D8/1; 47/19.1,  
47/33, 66.1, 32.4, 41.01, 68, 69; D6/556;  
D11/143-156

See application file for complete search history.

(56) **References Cited**

**U.S. PATENT DOCUMENTS**

D271,954 S *	12/1983	Neil	.....	D11/156
D271,955 S *	12/1983	Neil	.....	D11/156
D273,667 S *	5/1984	Vuarnesson et al.	.....	D11/155
D298,305 S *	11/1988	Granger	.....	D11/156
5,400,544 A *	3/1995	Wien	.....	47/33
D455,979 S *	4/2002	Salenger	.....	D11/155
6,681,522 B2 *	1/2004	Marchioro	.....	47/65.5

D486,092 S *	2/2004	McDuffie	.....	D11/143
6,851,242 B1 *	2/2005	Weatherston	.....	52/596
7,533,491 B2 *	5/2009	Singer et al.	.....	47/66.1
D605,480 S *	12/2009	Kalinich	.....	D8/1
D637,361 S *	5/2011	Jeffries	.....	D30/131
7,966,766 B2 *	6/2011	Vogler et al.	.....	47/19.1
D646,532 S *	10/2011	Burns	.....	D8/1

\* cited by examiner

*Primary Examiner* — Cynthia M Chin

*Assistant Examiner* — Sheryl Lane

(74) *Attorney, Agent, or Firm* — Craig Kirsch

(57) **CLAIM**

The ornamental design for a raised garden bed, as shown and described.

**DESCRIPTION**

FIG. 1 is a front perspective view of a raised garden bed;

FIG. 2 is a side elevation view of a raised garden bed;

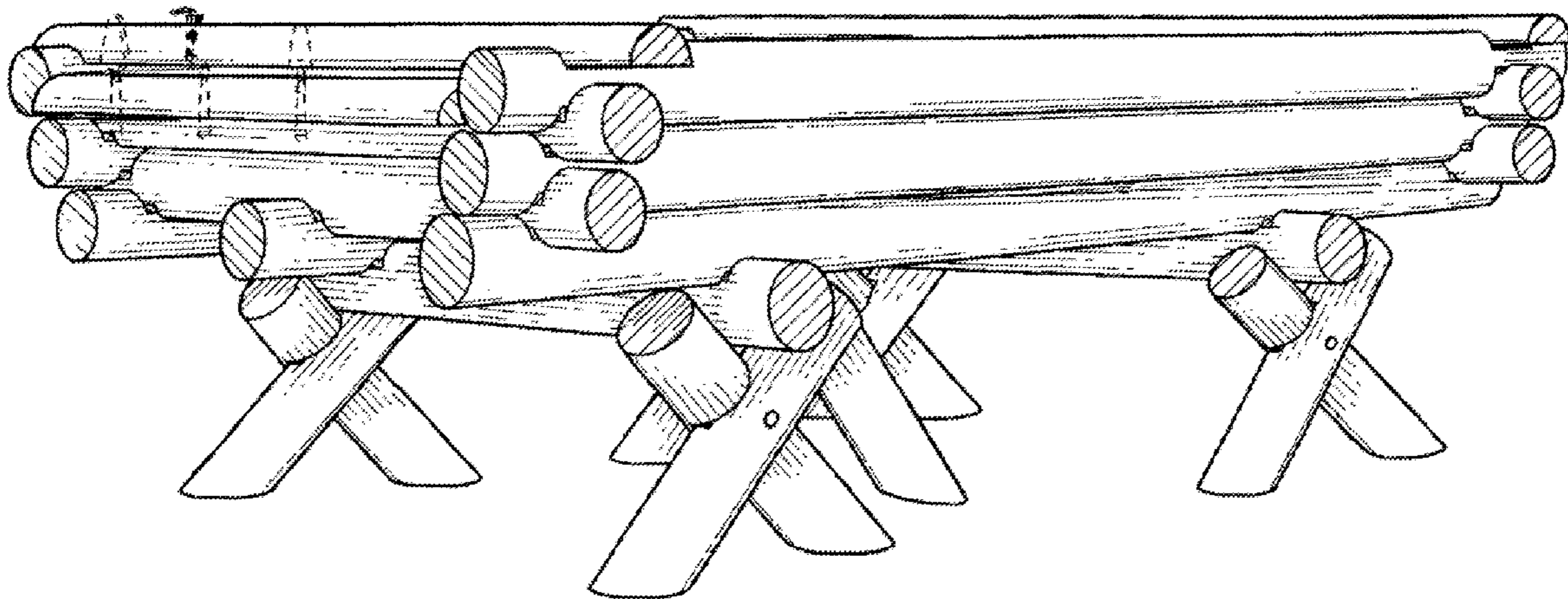
FIG. 3 is an end view of a raised garden bed;

FIG. 4 is a top plan view of a raised garden bed; and,

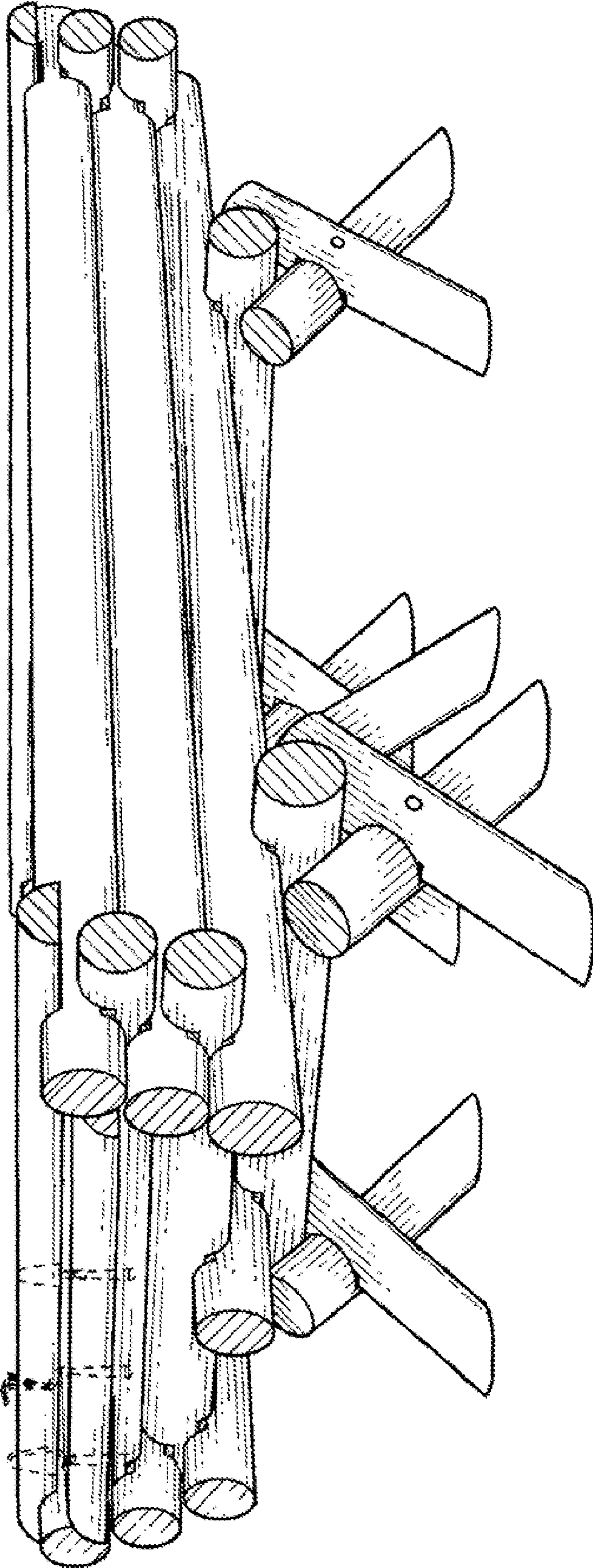
FIG. 5 is a bottom plan view of a raised garden bed.

The broken line showing of the tools is included for the purpose of illustrating environment, and forms no part of the claimed design.

**1 Claim, 4 Drawing Sheets**



*Fig. 1*





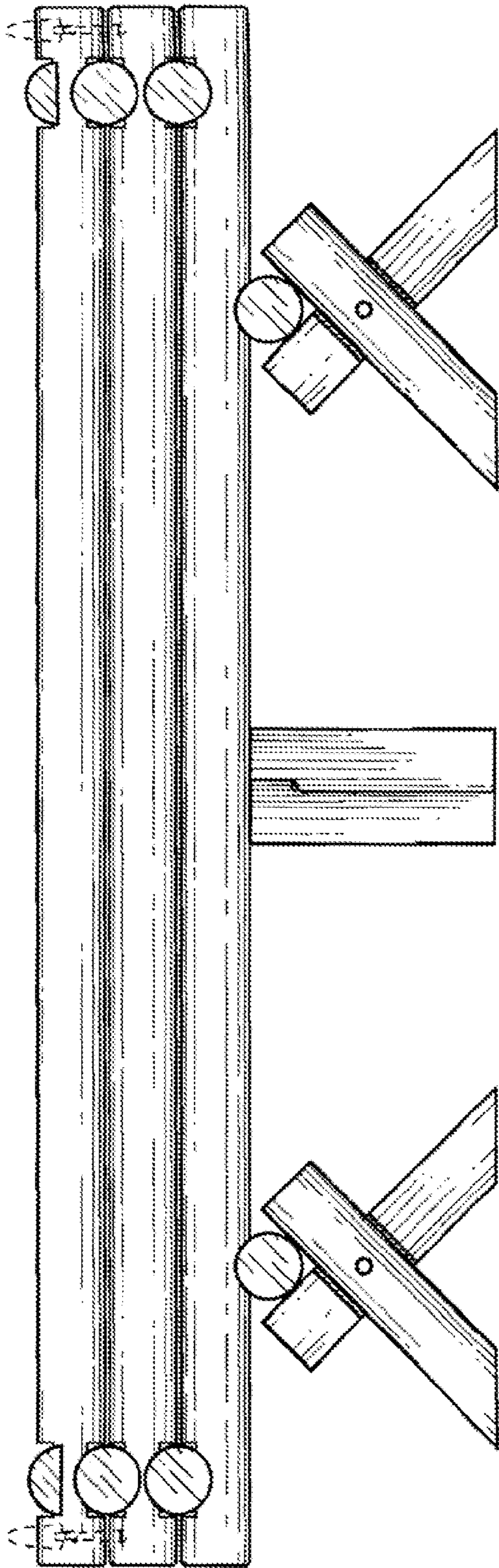


Fig. 2

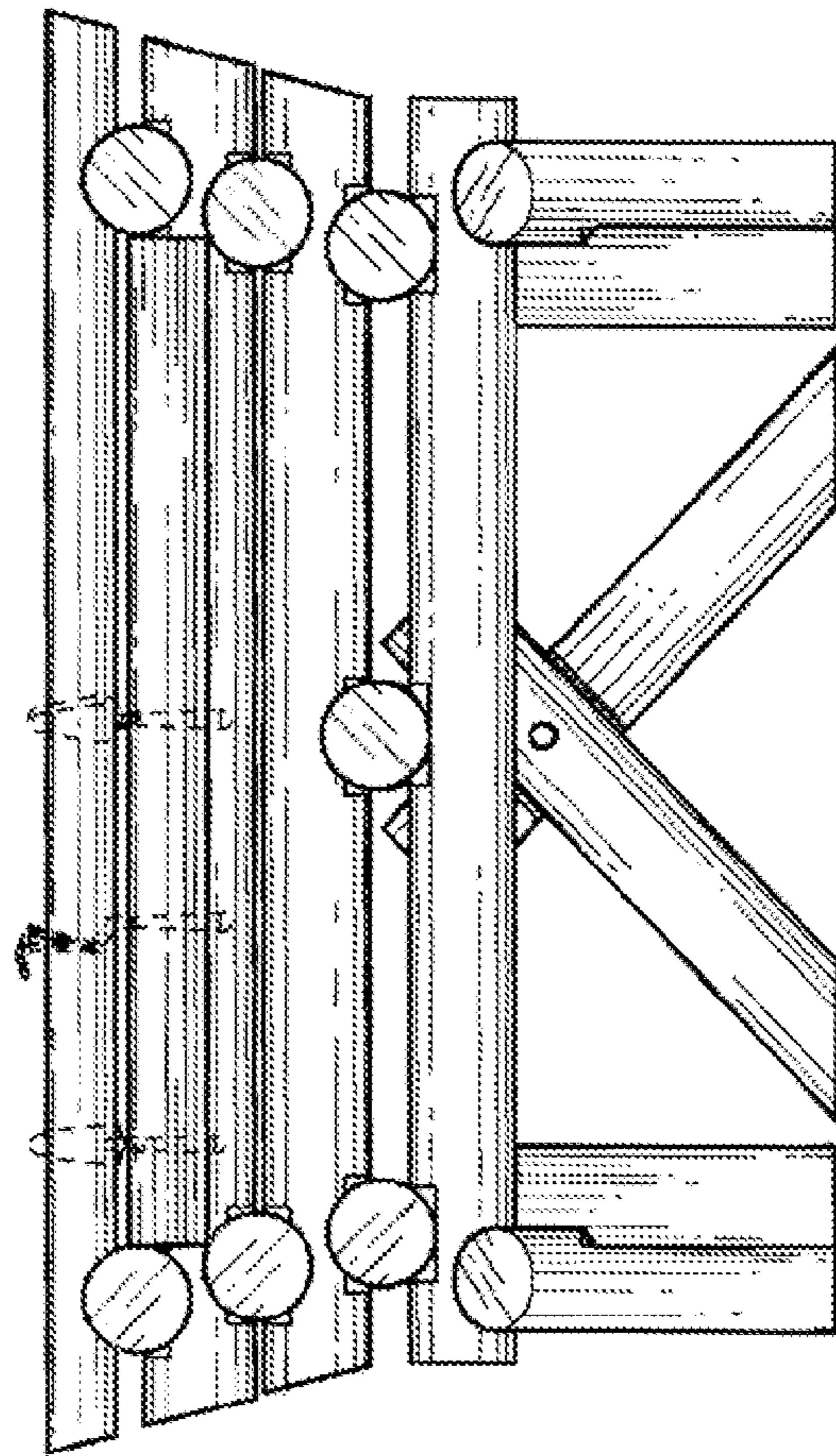
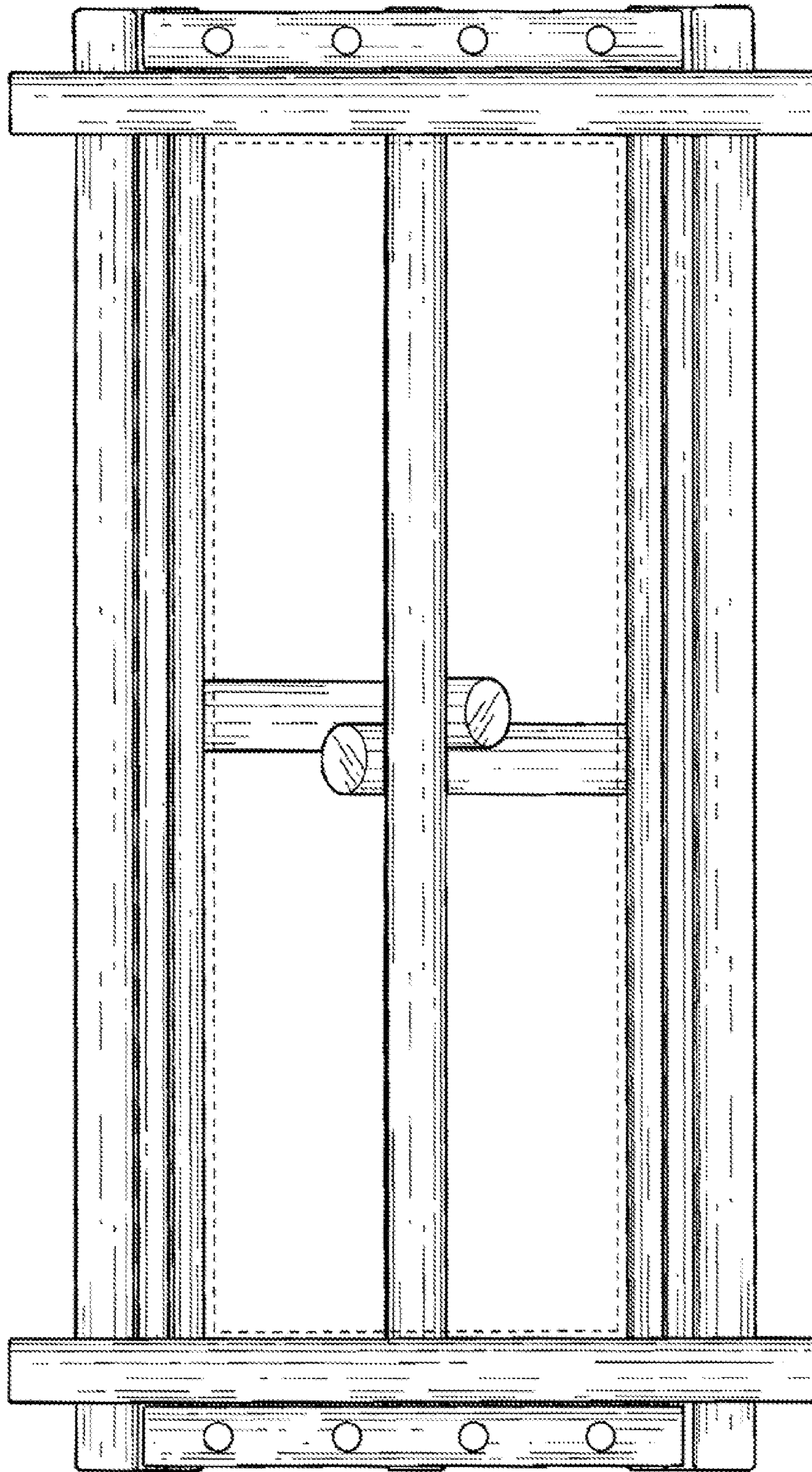


Fig. 3

*Fig. 4*





*Fig. 5*

