



US00D655140S

(12) **United States Design Patent**
Saunders et al.

(10) **Patent No.:** **US D655,140 S**
(45) **Date of Patent:** **** Mar. 6, 2012**

(54) **CARVING STATION**

(75) Inventors: **Joseph Jeremy Saunders**, Sturgeon Bay, WI (US); **John Quella**, Sturgeon Bay, WI (US)

(73) Assignee: **Hatco Corporation**, Milwaukee, WI (US)

(**) Term: **14 Years**

(21) Appl. No.: **29/315,687**

(22) Filed: **Jul. 15, 2009**
(Under 37 CFR 1.47)

(51) **LOC (9) Cl.** **07-04**

(52) **U.S. Cl.** **D7/698**

(58) **Field of Classification Search** D6/491;
D7/354, 359–360, 368, 392.1, 396.1, 409,
D7/412, 505, 546, 550.1, 552.1, 553.1, 554.3–554.4,
D7/555, 586, 637, 673, 698–699; D26/62;
D30/106; 62/256; 99/357, 449–450, 537;
186/44; 269/13, 15–16, 289 R, 290, 302.1,
269/575; 296/51

See application file for complete search history.

(56) **References Cited**

U.S. PATENT DOCUMENTS

2,900,045	A *	8/1959	Conklin et al.	186/44
D205,463	S *	8/1966	Zelenko	D26/62
5,100,115	A *	3/1992	Schorn	269/302.1
5,386,978	A *	2/1995	Ladwig	269/289 R
5,477,702	A *	12/1995	Kennedy et al.	62/256
D377,429	S *	1/1997	Olson	D6/491
5,996,983	A *	12/1999	Laurenzi	269/15
6,206,445	B1 *	3/2001	Brooks	296/51
D484,282	S *	12/2003	Lockwood	D30/106
2011/0133383	A1 *	6/2011	Roser	269/290
2011/0168035	A1 *	7/2011	Saunders et al.	99/537

OTHER PUBLICATIONS

Free Stander Warmers, Multiple models, 1 page, date unknown.
Witco Food Service Equipment, Models CSD Series Carving Stations, 2 pages, date unknown.

Royalton Food Service Equipment Company, Model RCS Series Heated Carving Station, 2 pages, date unknown.
Alto Shaam manual, Hot Carving Shelf Electric, Models: 100-HSL/BCS-2, 100-HSL/BCS-2S, 19 pages, date unknown.
Model Carving Station, 1 page, company and date unknown.

* cited by examiner

Primary Examiner — Ricky Pham

(74) *Attorney, Agent, or Firm* — Ryan Kromholz & Manion, S.C.

(57) **CLAIM**

The ornamental design for a carving station, as shown and described.

DESCRIPTION

FIG. 1 is a perspective view of a first embodiment of the carving station;
FIG. 2 is a rear elevation view thereof;
FIG. 3 is a front elevation view thereof;
FIG. 4 is a top plan view thereof;
FIG. 5 is a bottom plan view thereof;
FIG. 6 is a right side elevation view thereof; and
FIG. 7 is a left side elevation view thereof.
FIG. 8 is a perspective view of a second embodiment of the carving station;
FIG. 9 is a rear elevation view thereof;
FIG. 10 is a front elevation view thereof;
FIG. 11 is a top plan view thereof;
FIG. 12 is a bottom plan view thereof;
FIG. 13 is a right side elevation view thereof; and
FIG. 14 is a left side elevation view thereof.
FIG. 15 is a perspective view of a third embodiment of the carving station;
FIG. 16 is a rear elevation view thereof;
FIG. 17 is a front elevation view thereof;
FIG. 18 is a top plan view thereof;
FIG. 19 is a bottom plan view thereof;
FIG. 20 is a right side elevation view thereof; and
FIG. 21 is a left side elevation view thereof.
FIG. 22 is a perspective view of a fourth embodiment of the carving station;
FIG. 23 is a rear elevation view thereof;

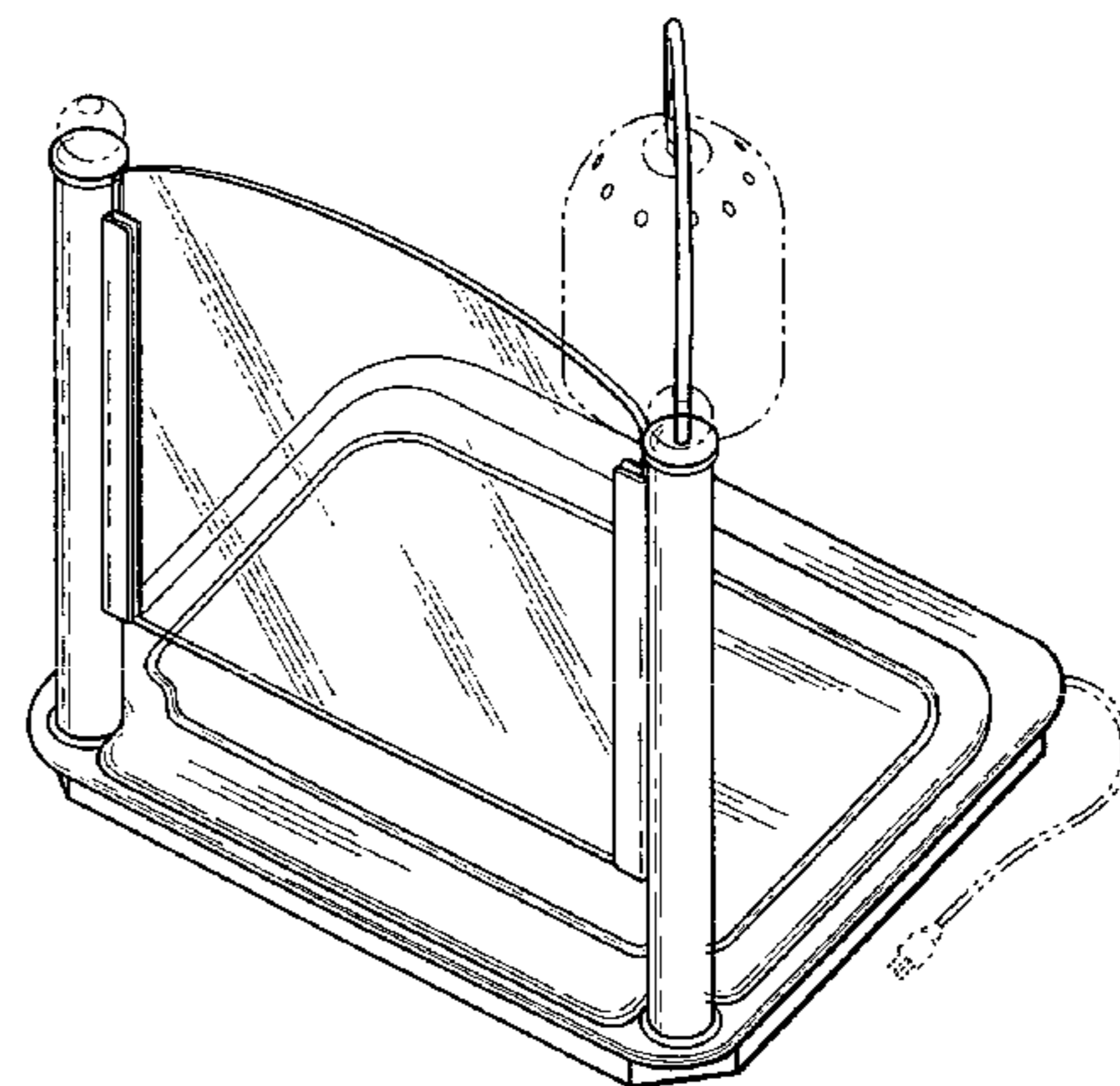
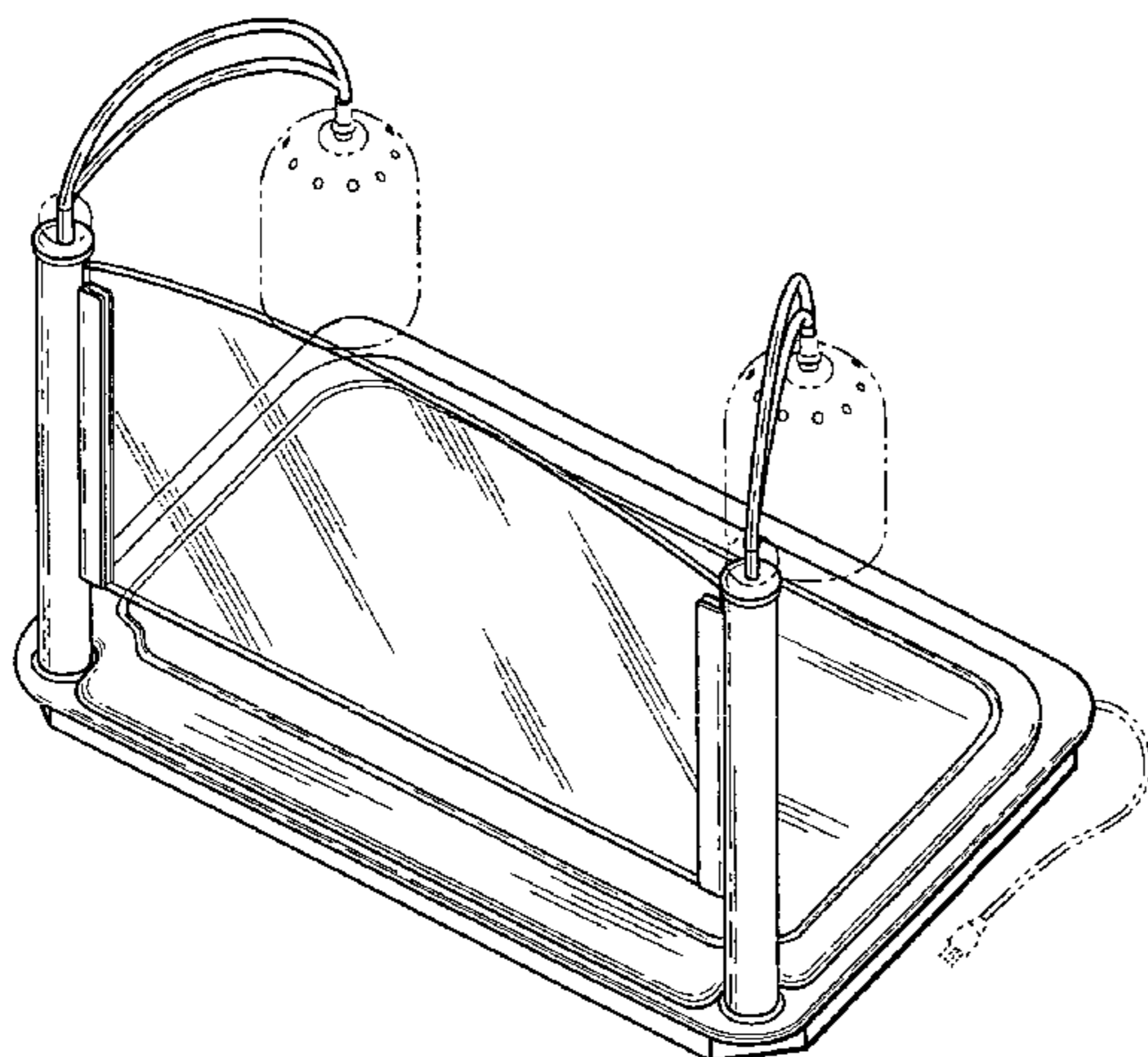


FIG. 24 is a front elevation view thereof;
FIG. 25 is a top plan view thereof;
FIG. 26 is a bottom plan view thereof;
FIG. 27 is a right side elevation view thereof; and
FIG. 28 is a left side elevation view thereof.
FIG. 29 is a perspective view of a fifth embodiment of the carving station;
FIG. 30 is a rear elevation view thereof;
FIG. 31 is a front elevation view thereof;
FIG. 32 is a top plan view thereof;
FIG. 33 is a bottom plan view thereof;
FIG. 34 is a right side elevation view thereof; and

FIG. 35 is a left side elevation view thereof.
FIG. 36 is a perspective view of a sixth embodiment of the carving station;
FIG. 37 is a rear elevation view thereof;
FIG. 38 is a front elevation view thereof;
FIG. 39 is a top plan view thereof;
FIG. 40 is a bottom plan view thereof;
FIG. 41 is a right side elevation view thereof; and,
FIG. 42 is a left side elevation view thereof.
The broken lines shown in the drawings are for illustrative purposes only and form no part of the claimed design.

1 Claim, 18 Drawing Sheets

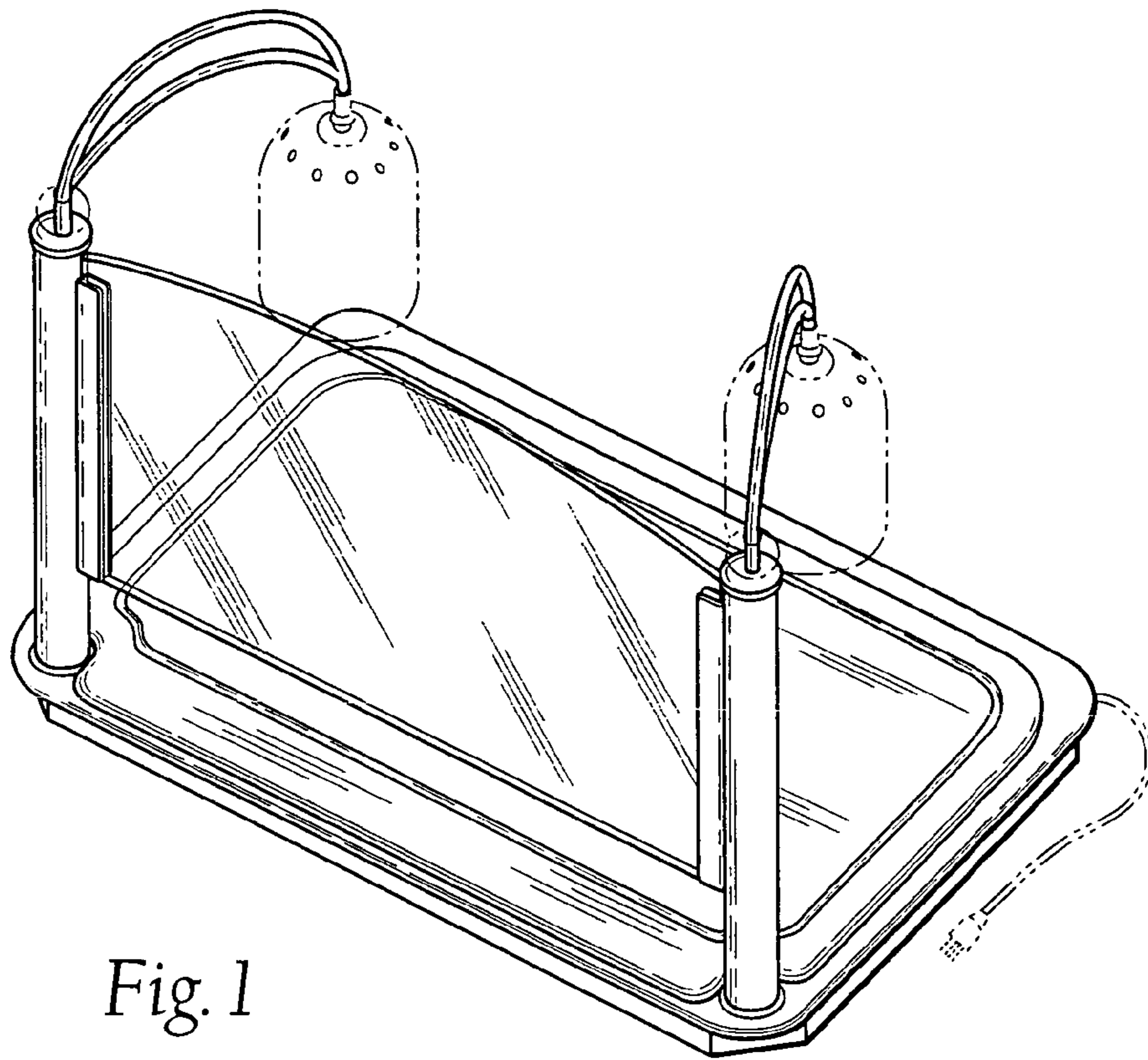


Fig. 1

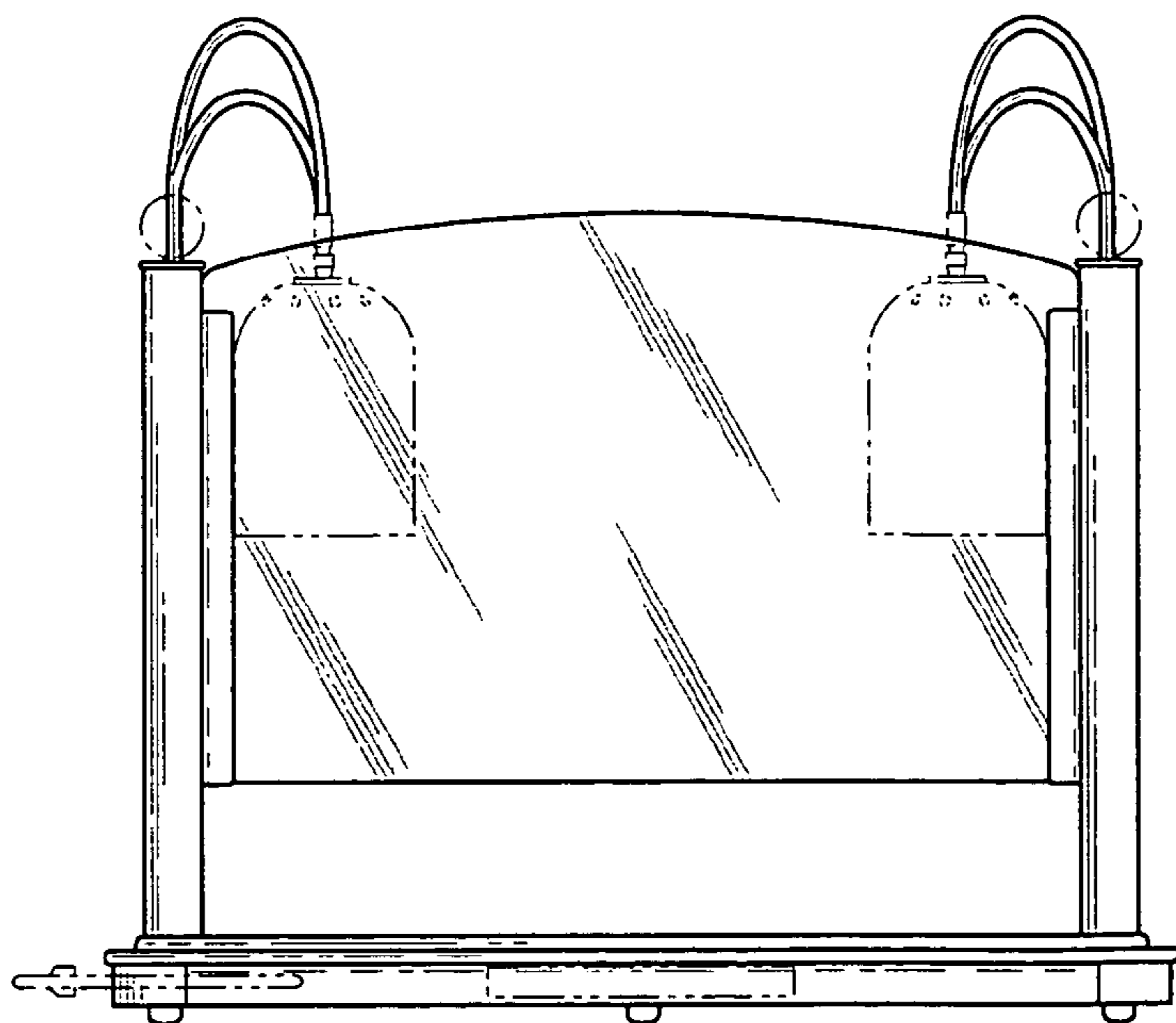


Fig. 2

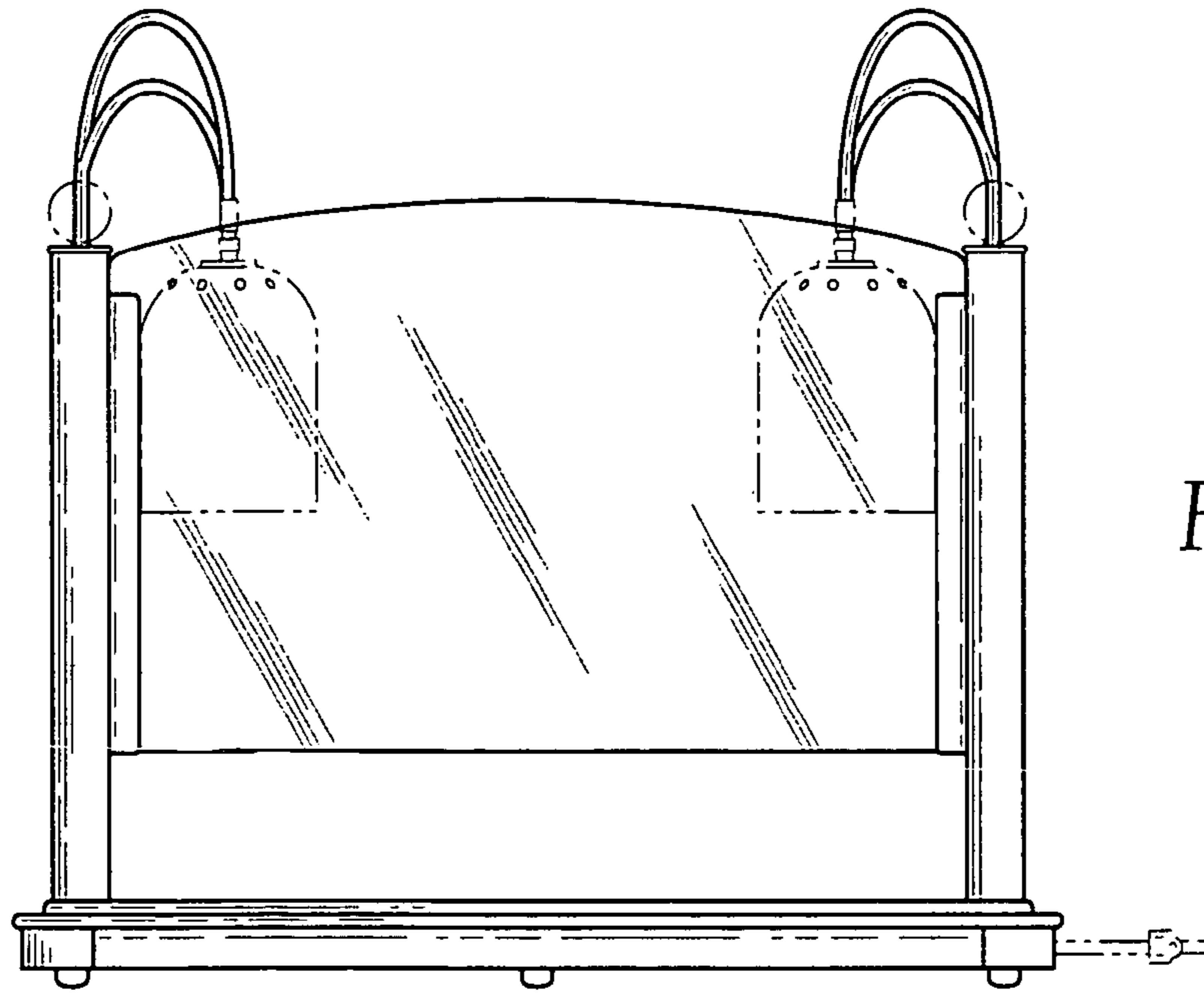


Fig. 3

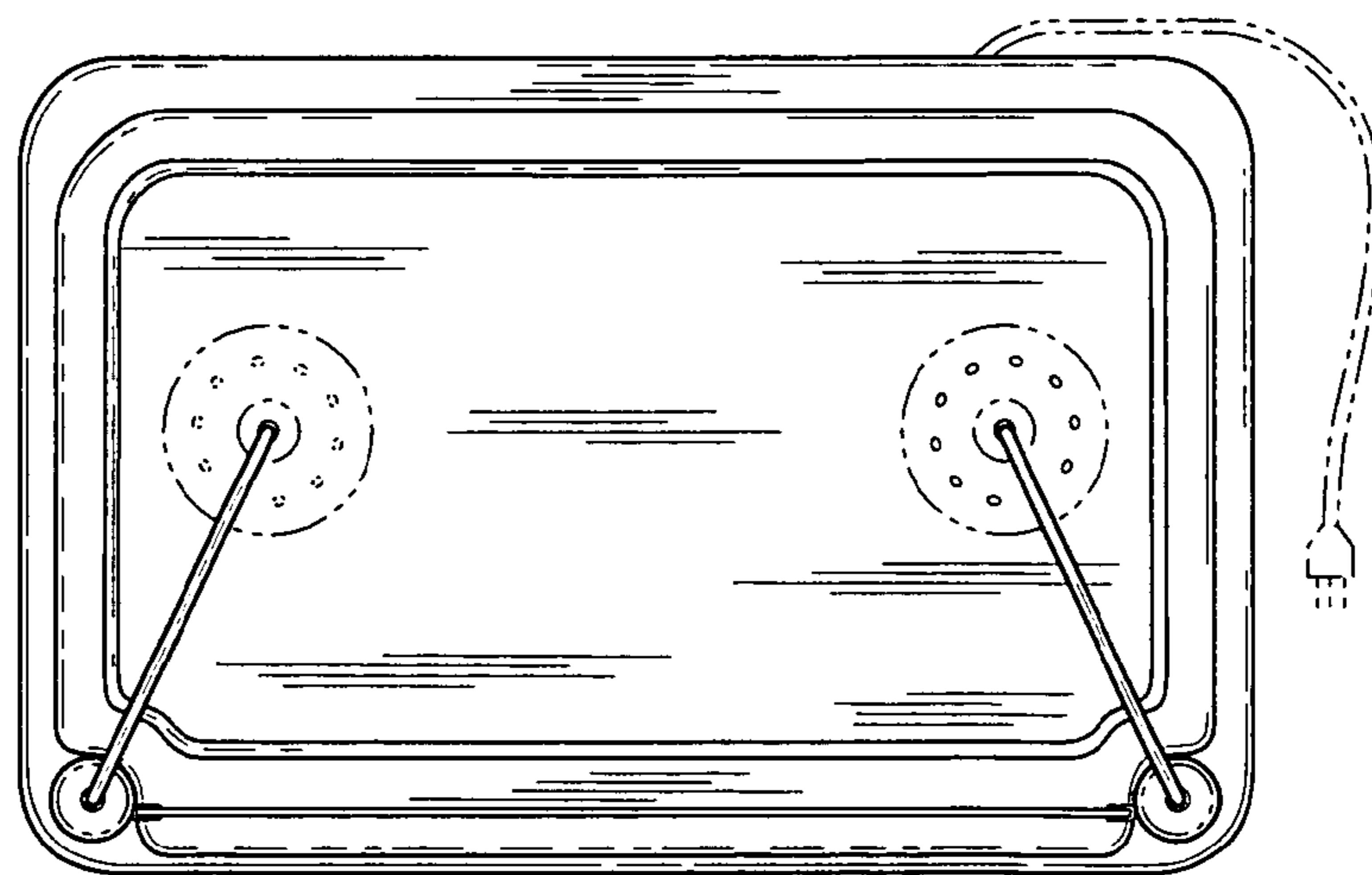


Fig. 4

Fig. 5

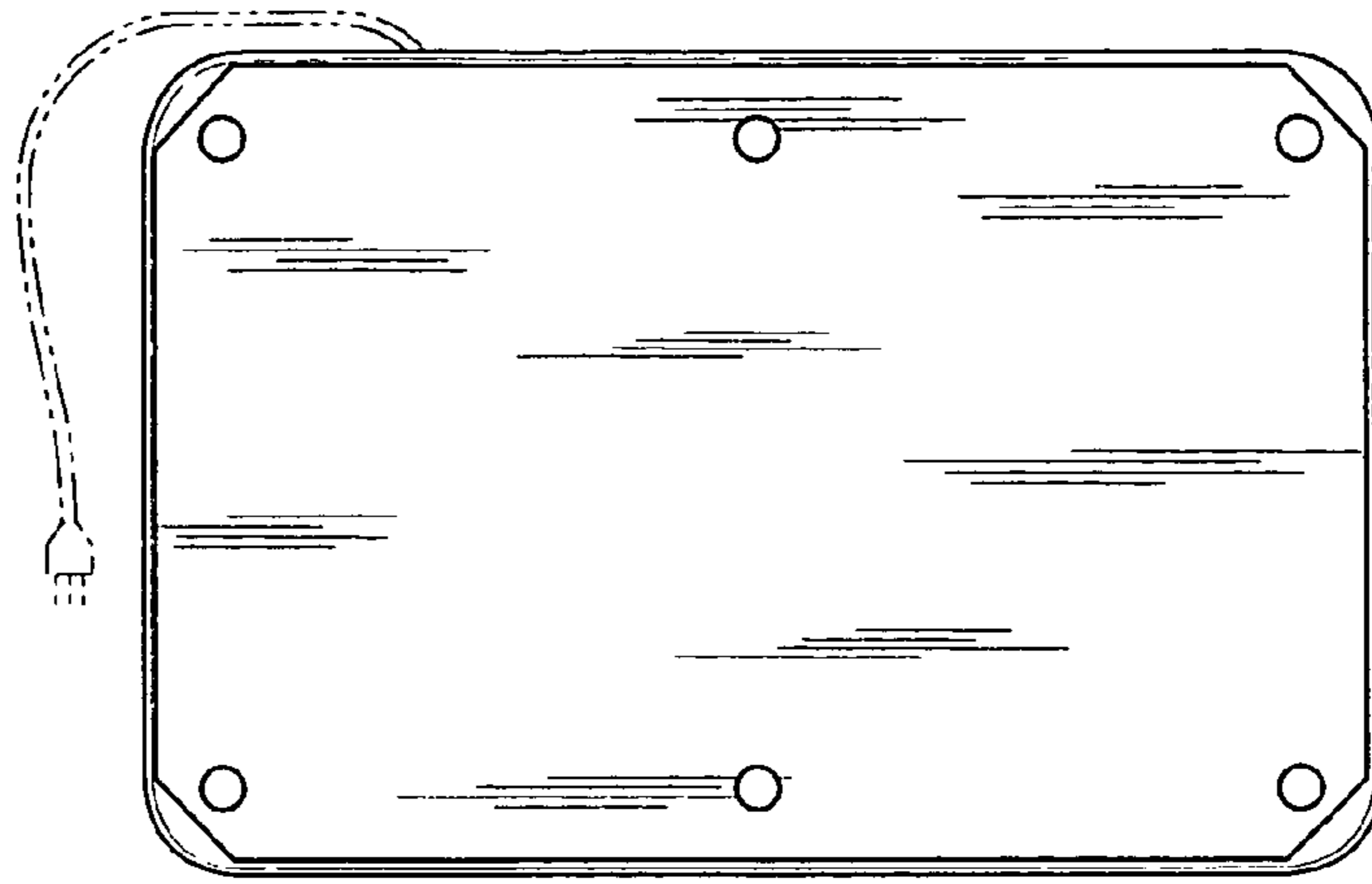


Fig. 6

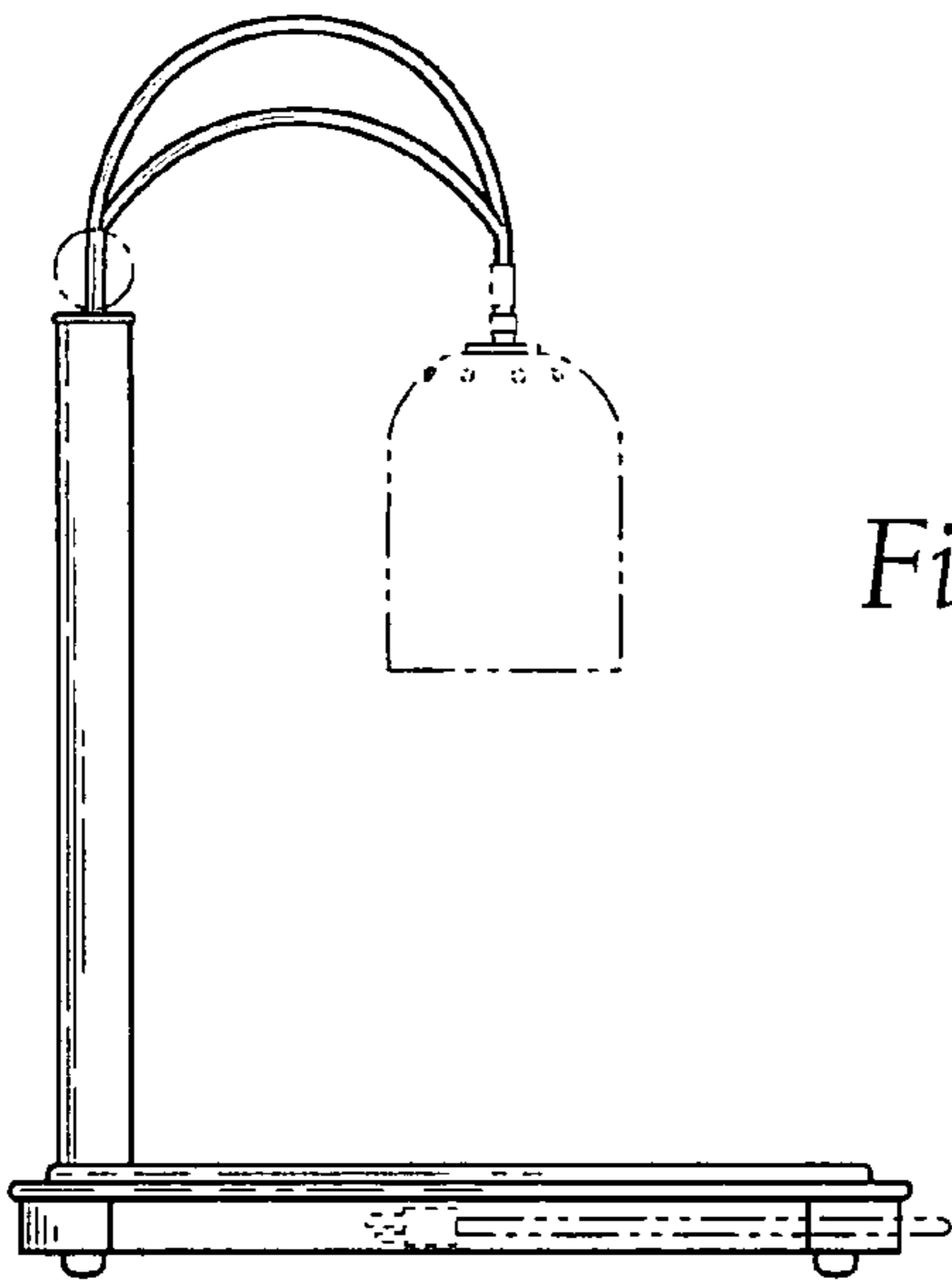
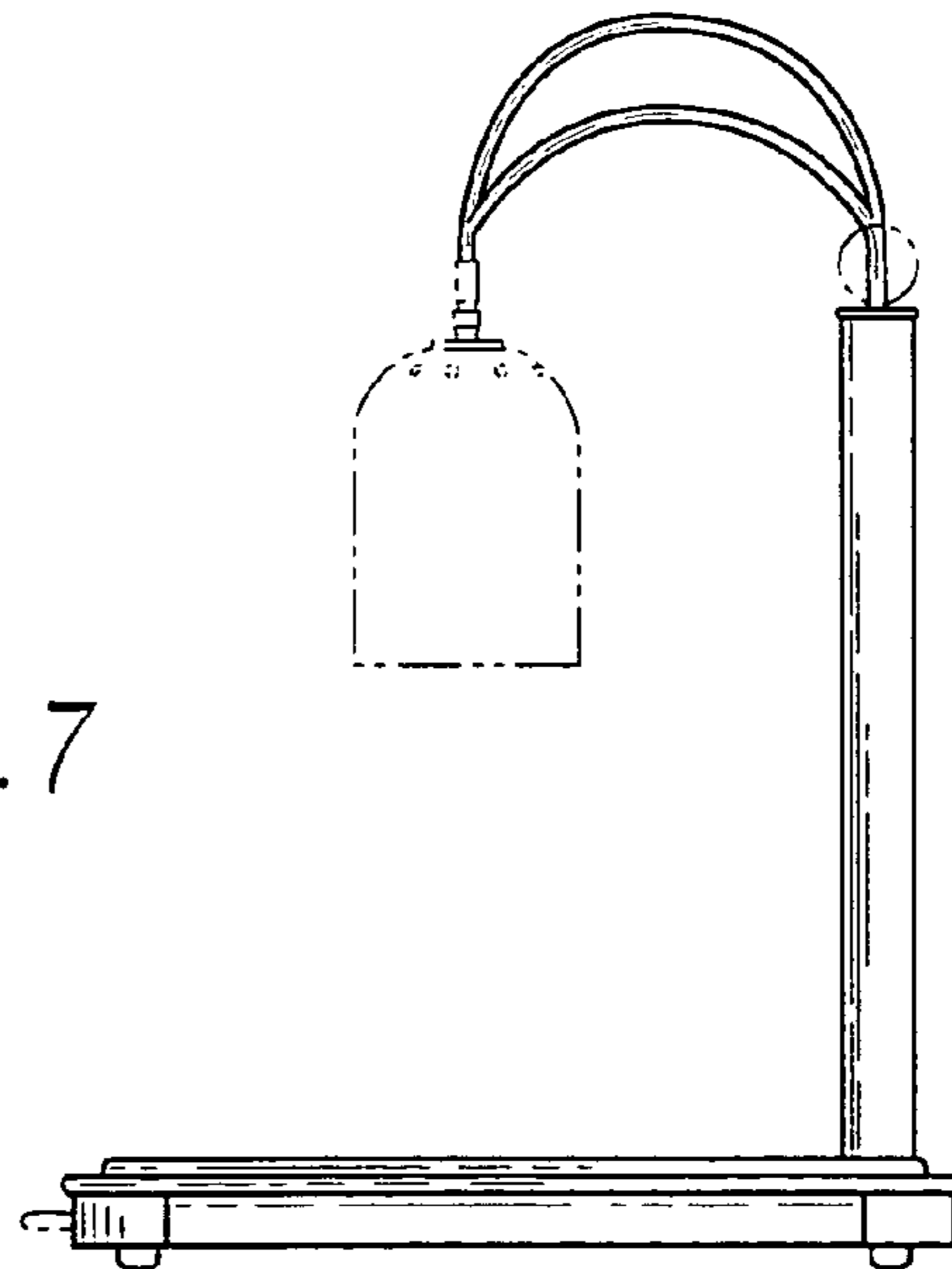


Fig. 7



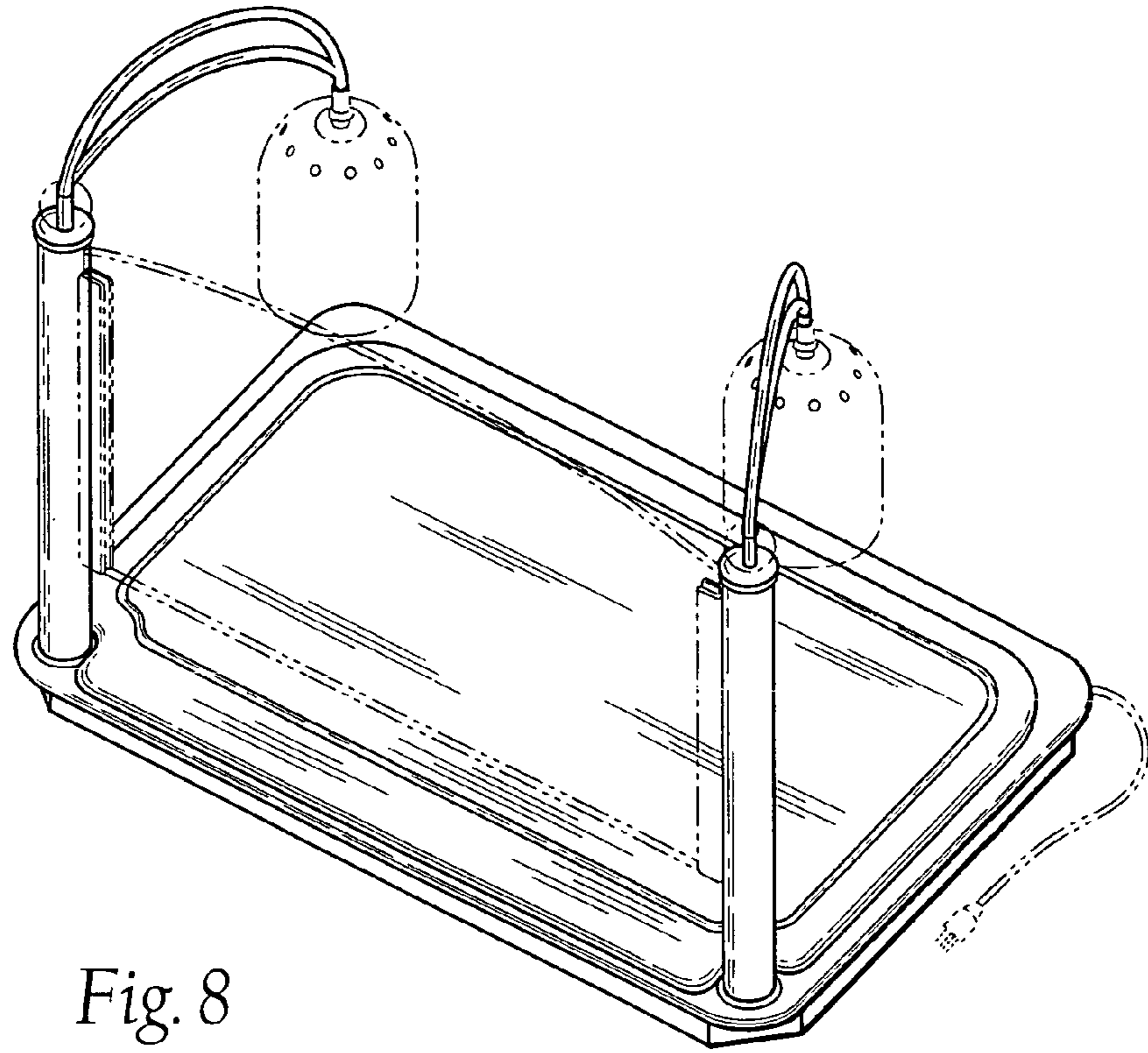


Fig. 8

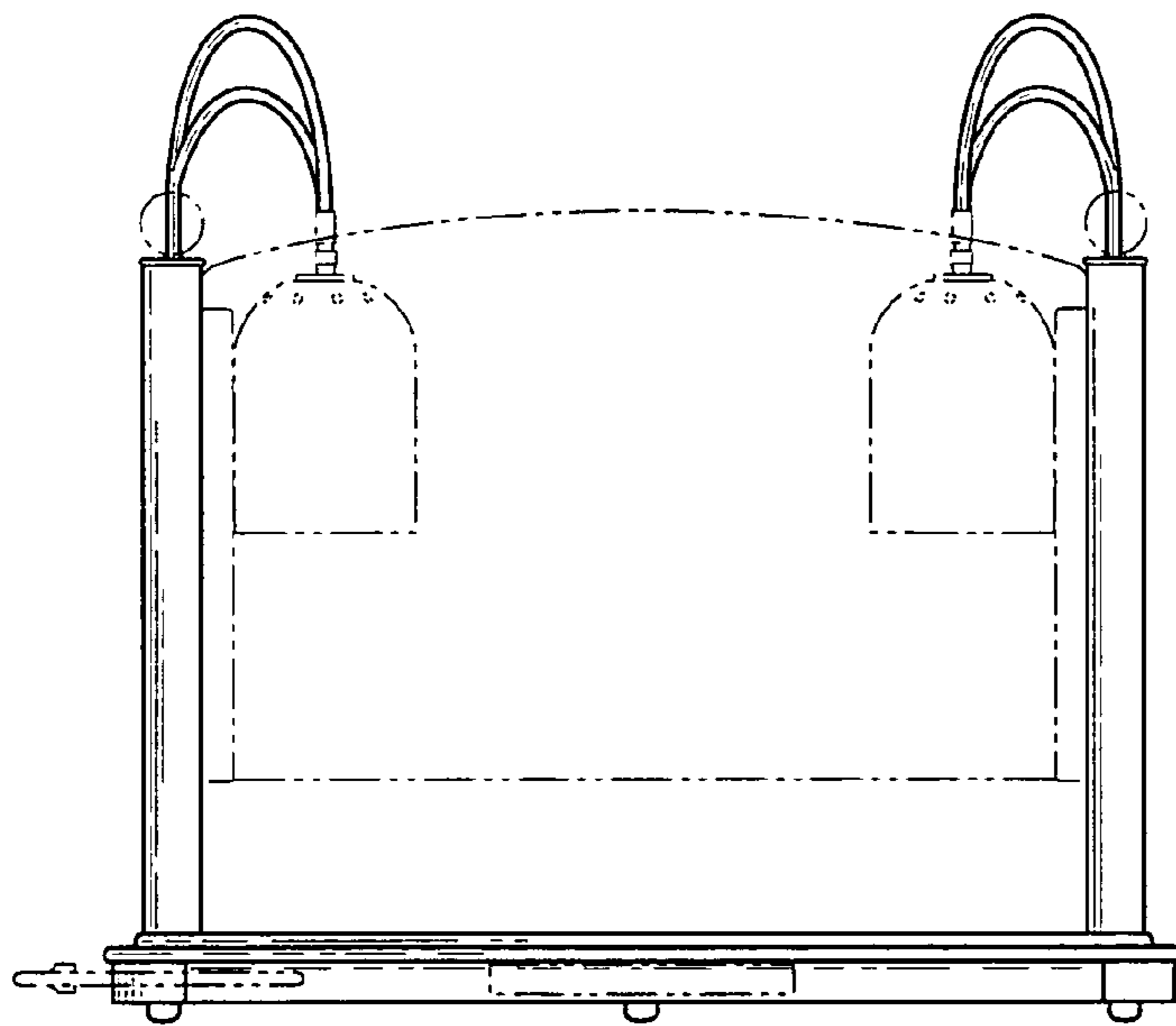


Fig. 9

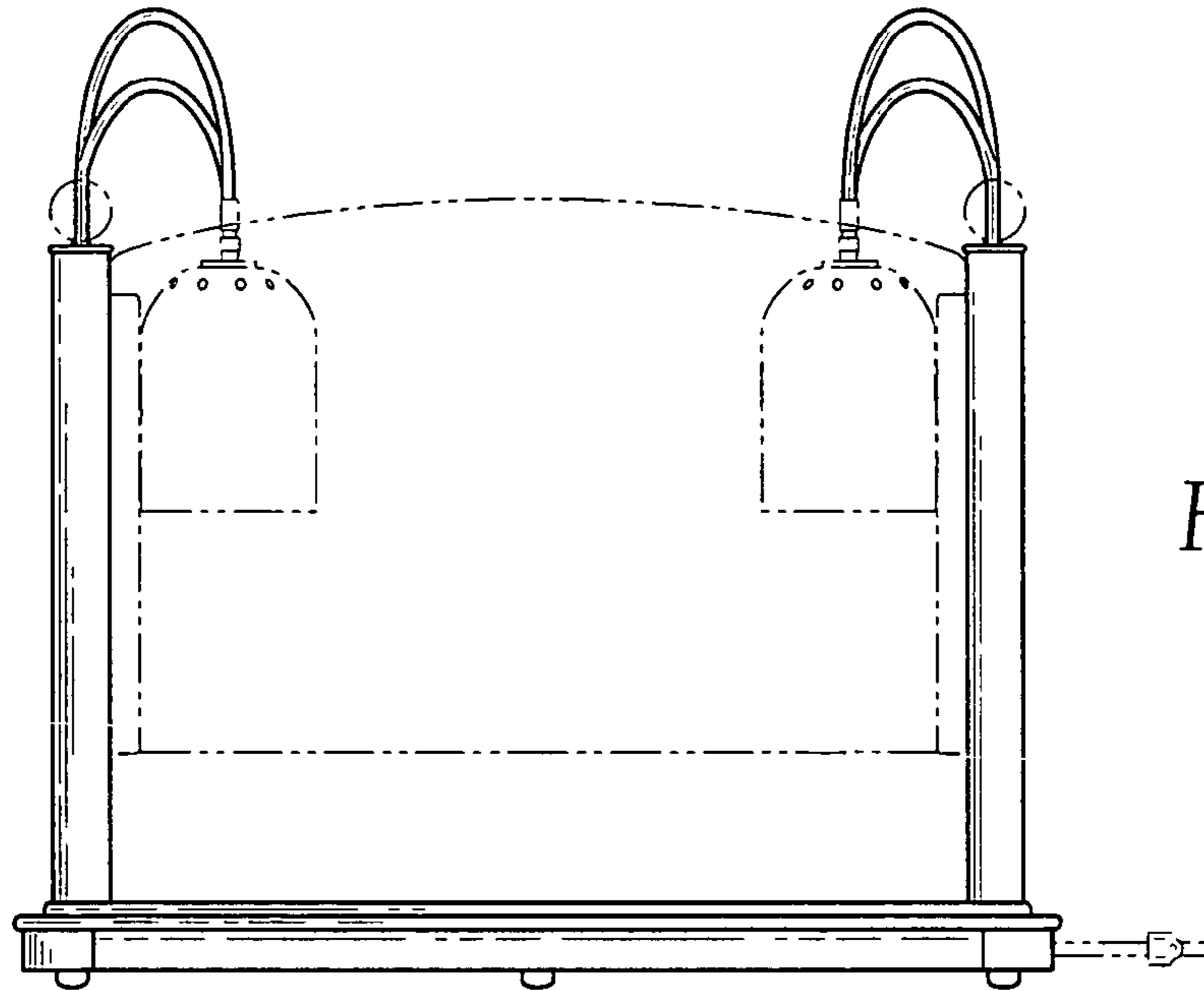


Fig. 10

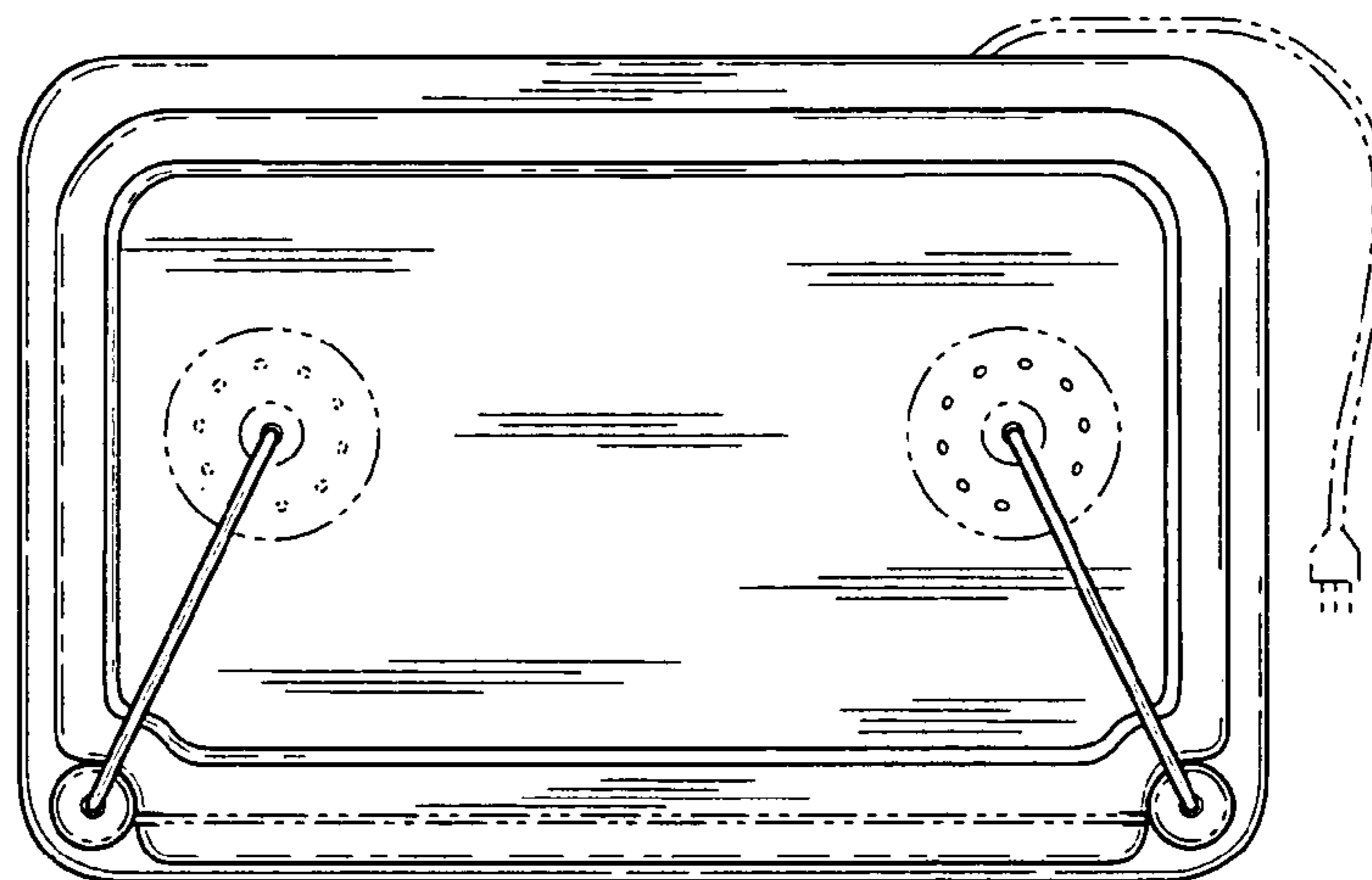


Fig. 11

Fig. 12

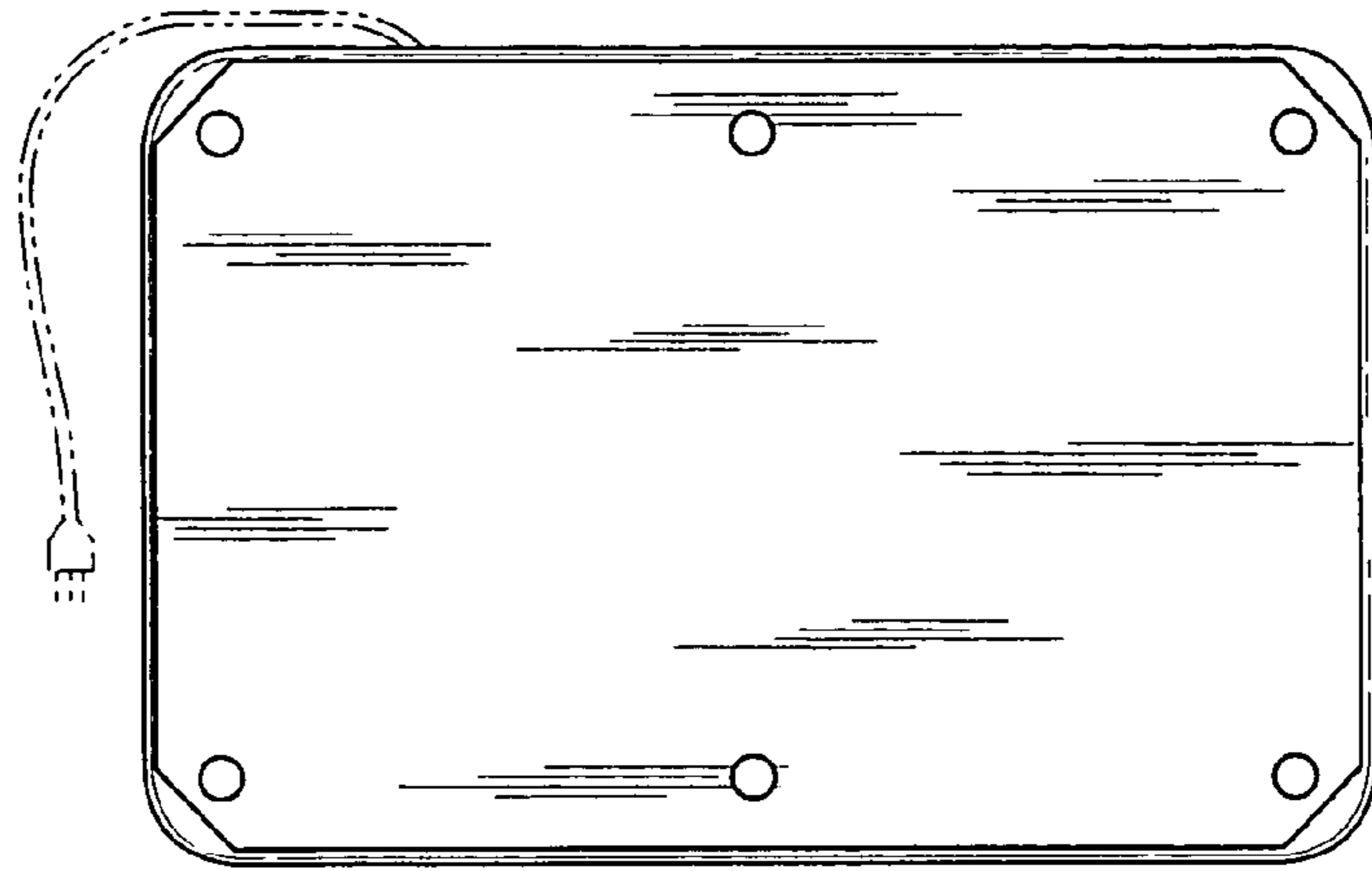


Fig. 13

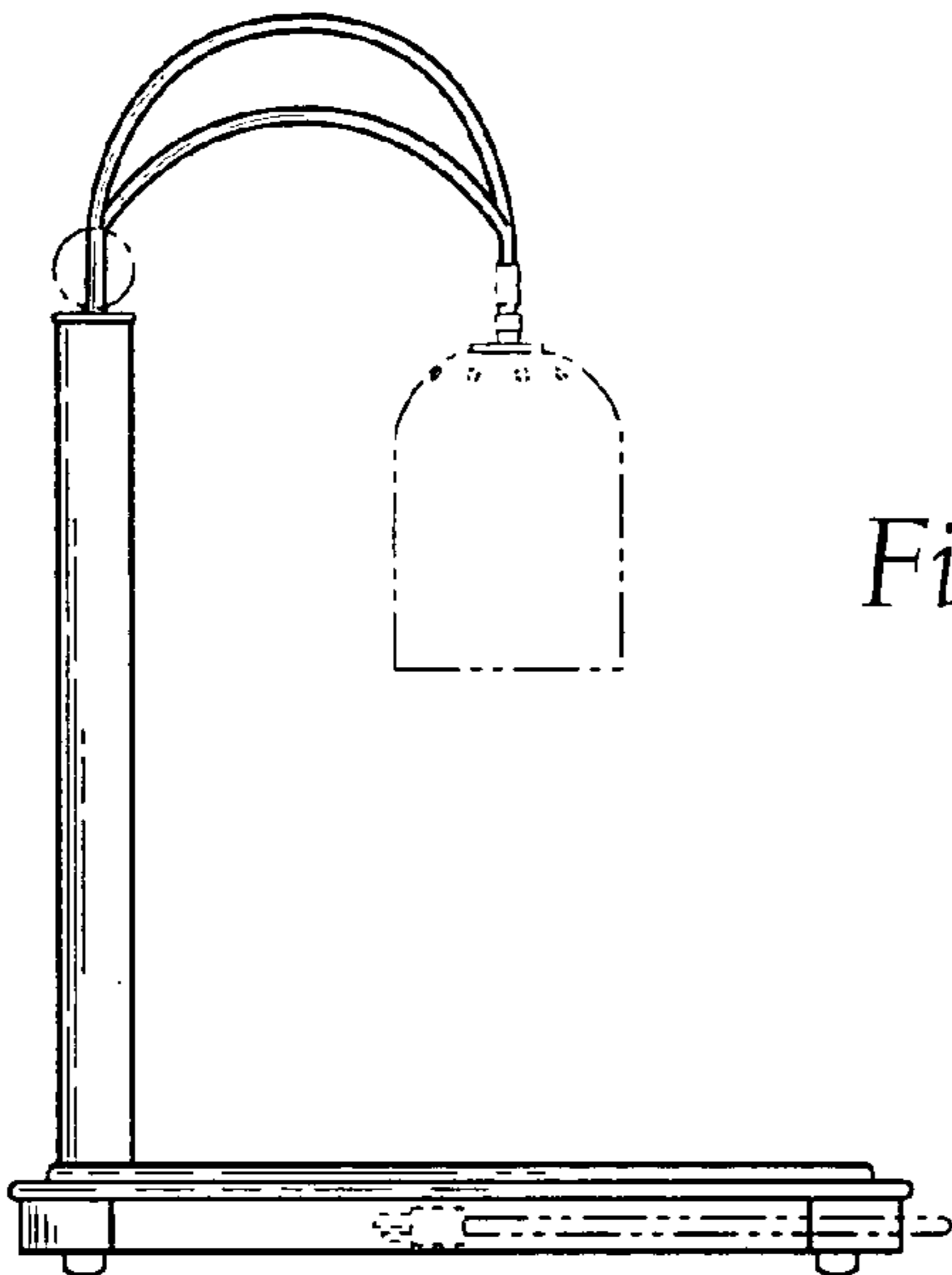
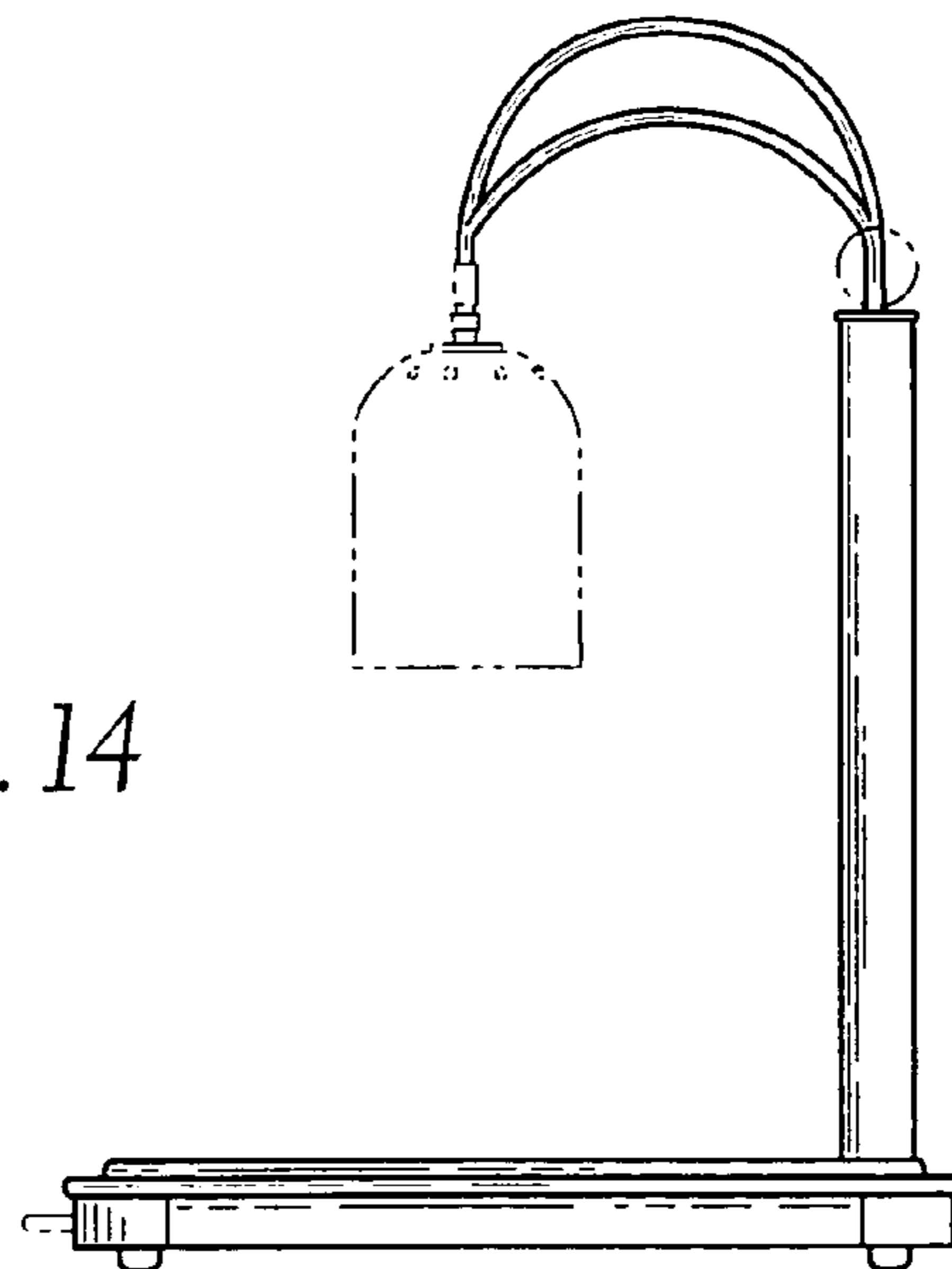


Fig. 14



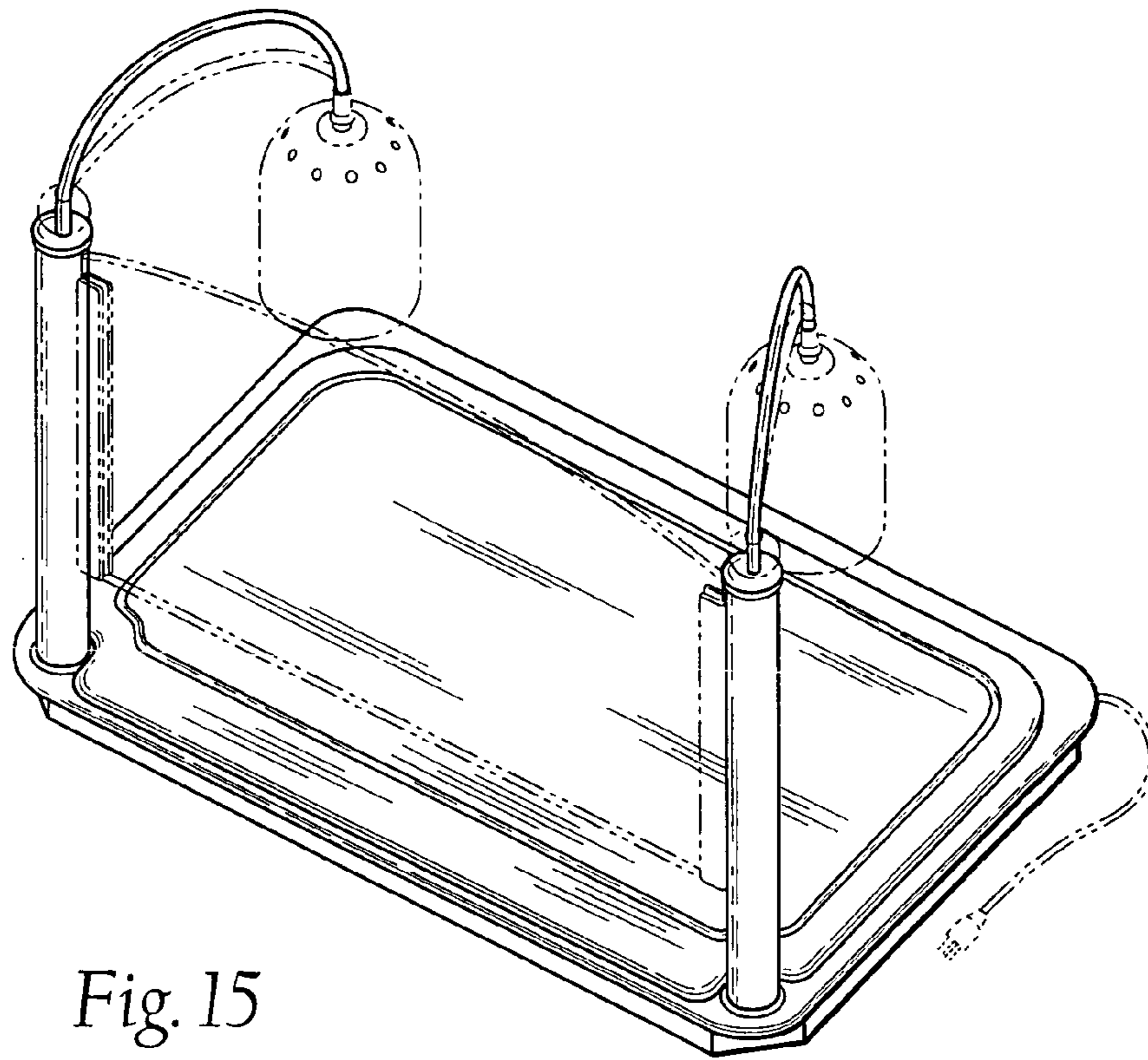


Fig. 15

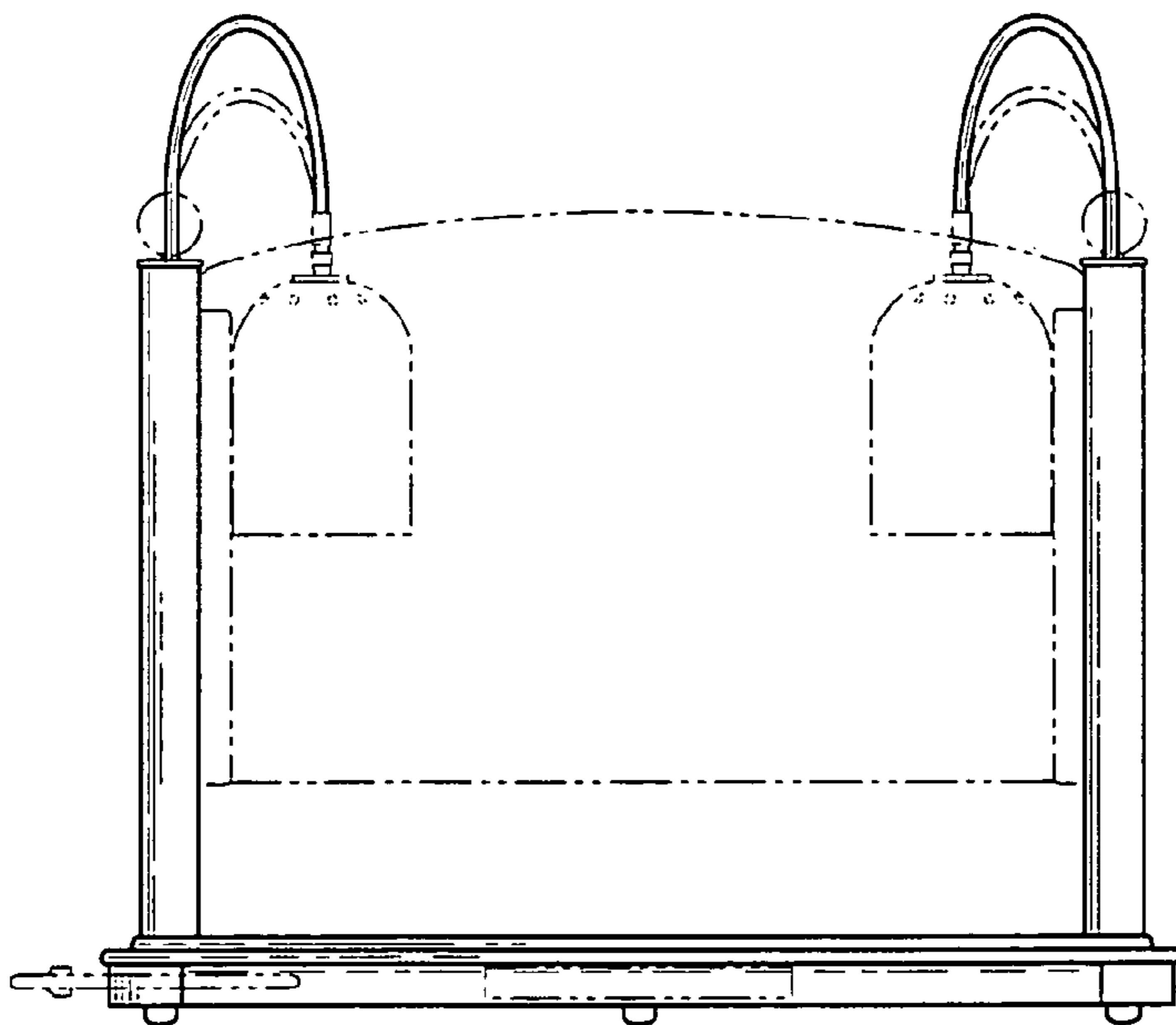


Fig. 16

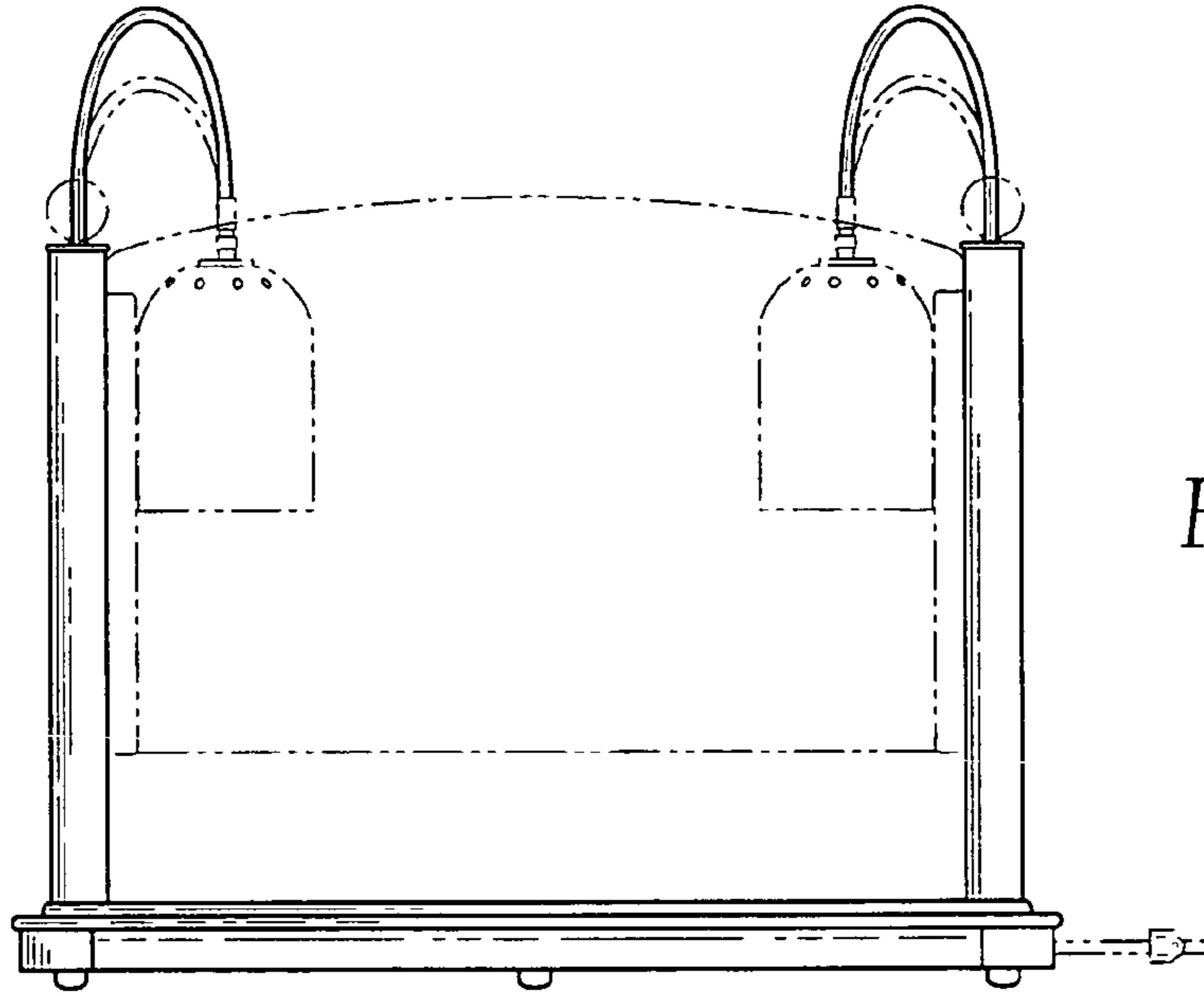


Fig. 17

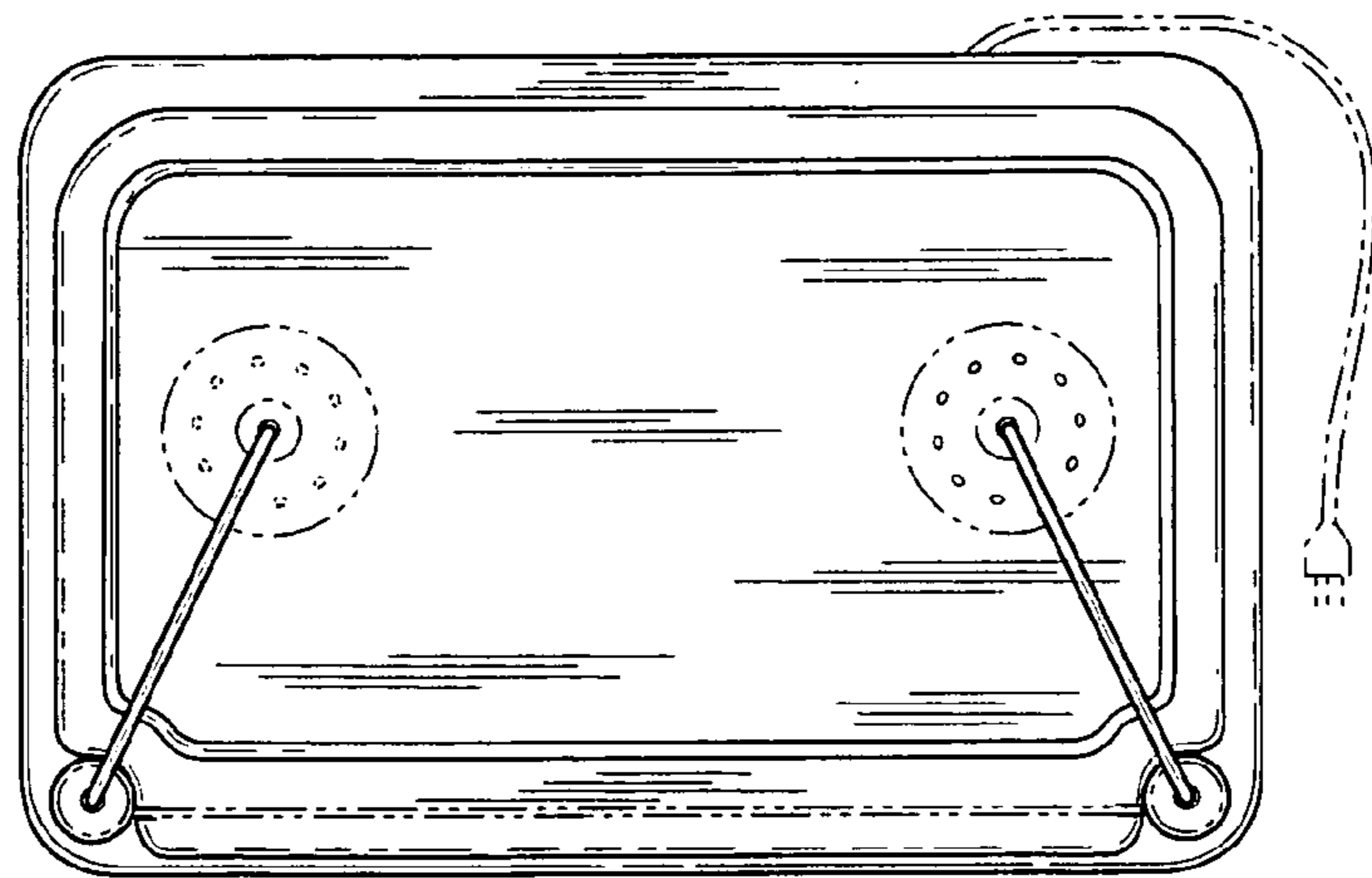


Fig. 18

Fig. 19

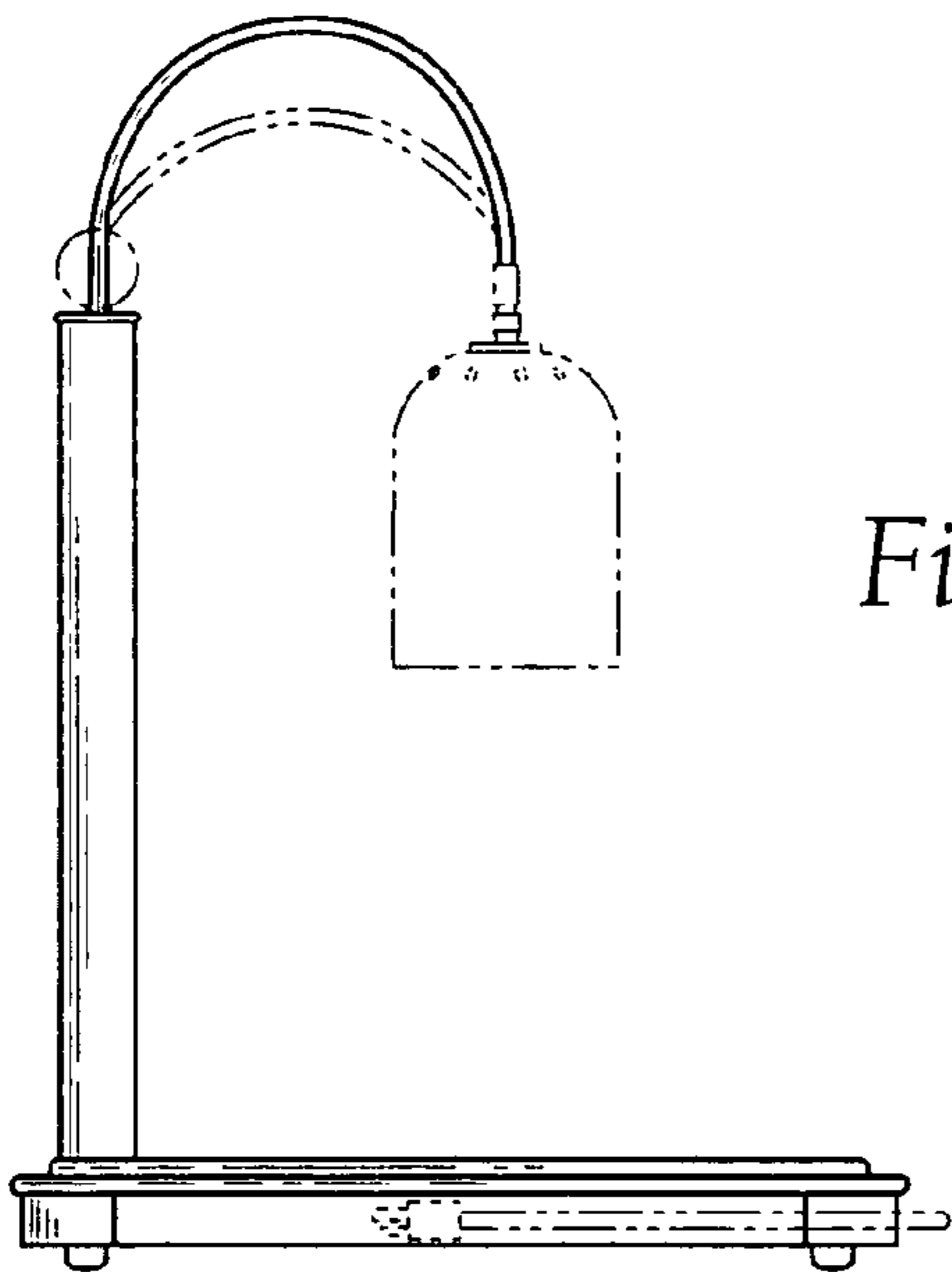
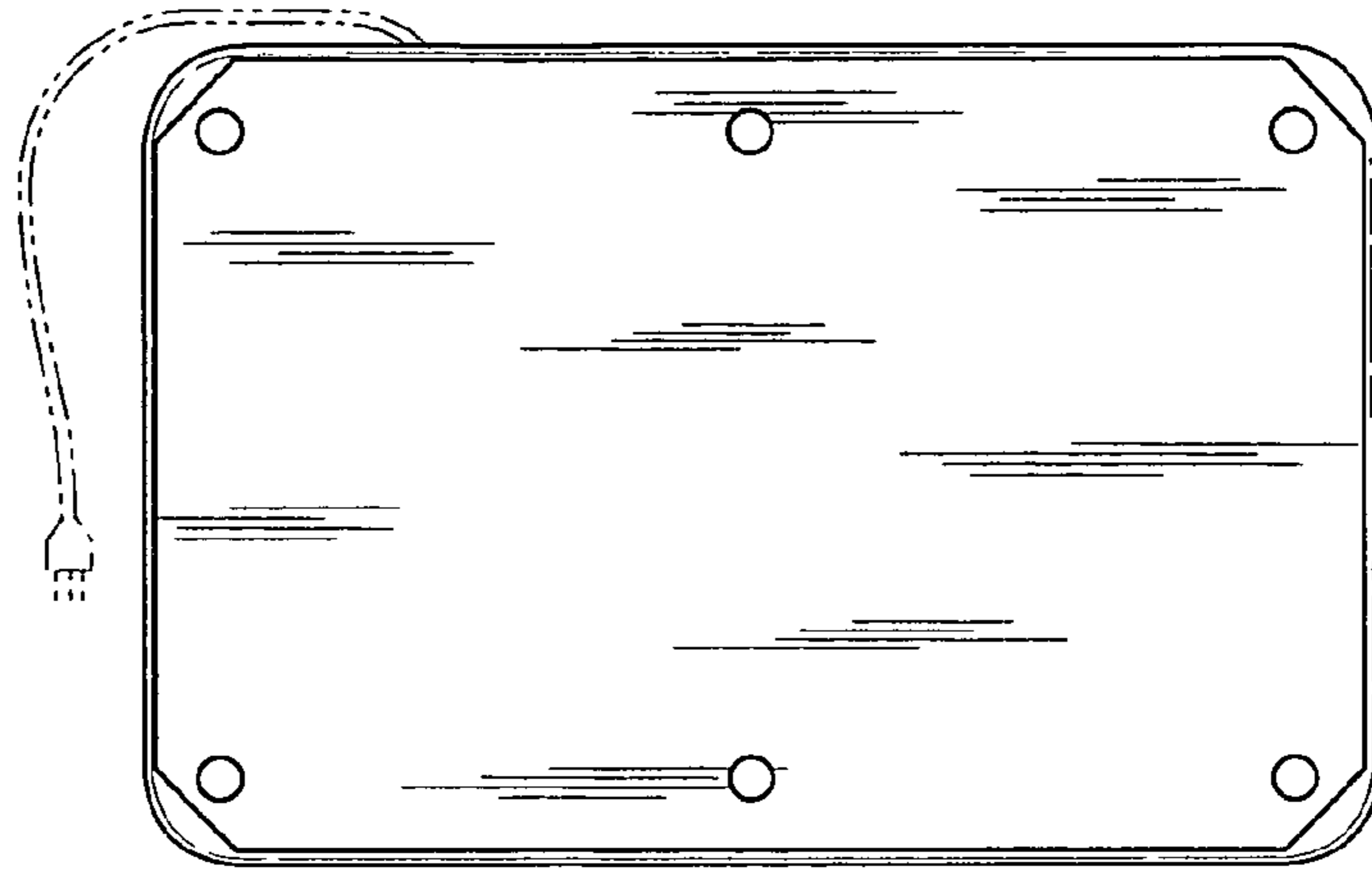


Fig. 20

Fig. 21

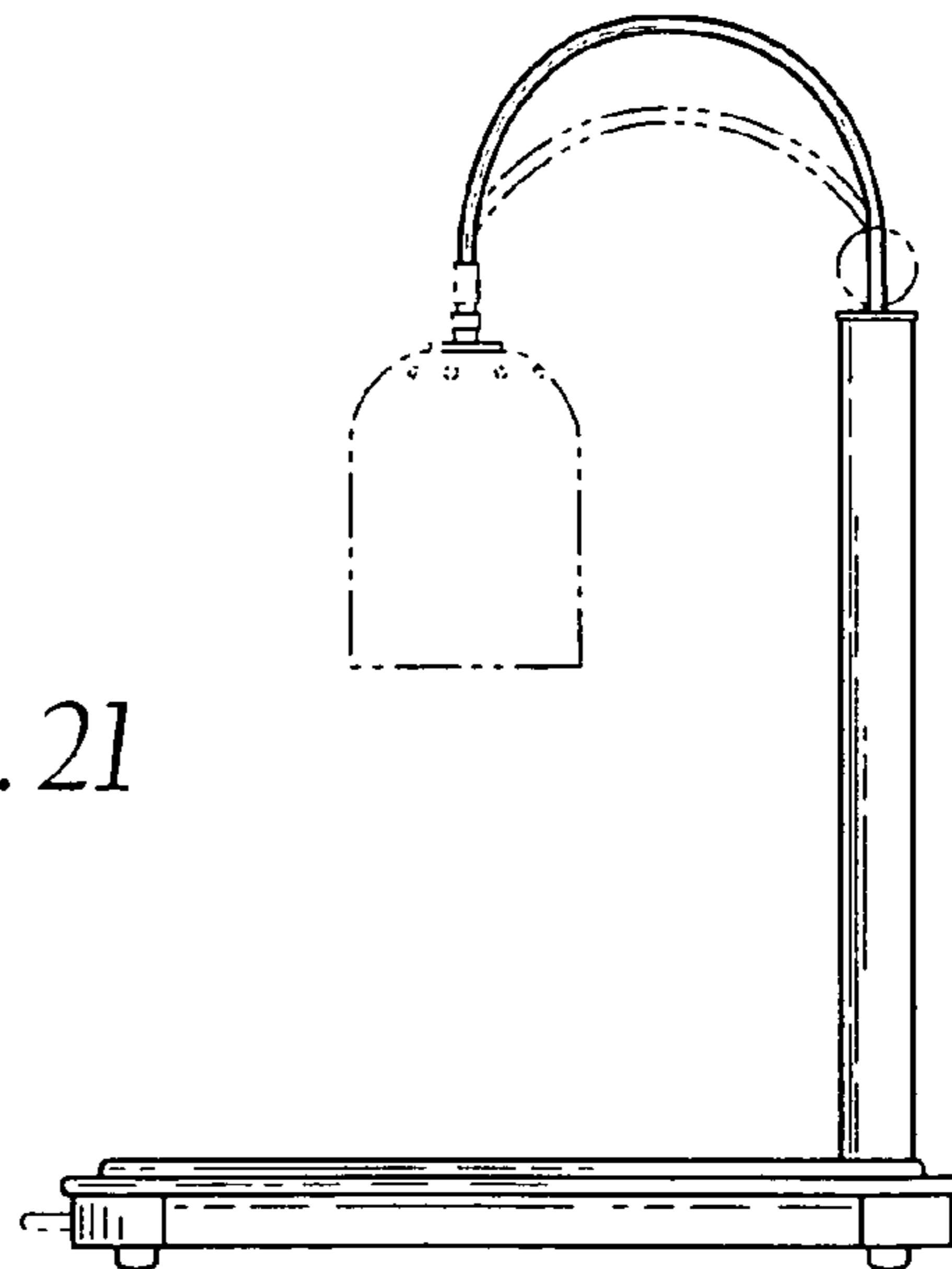


Fig. 22

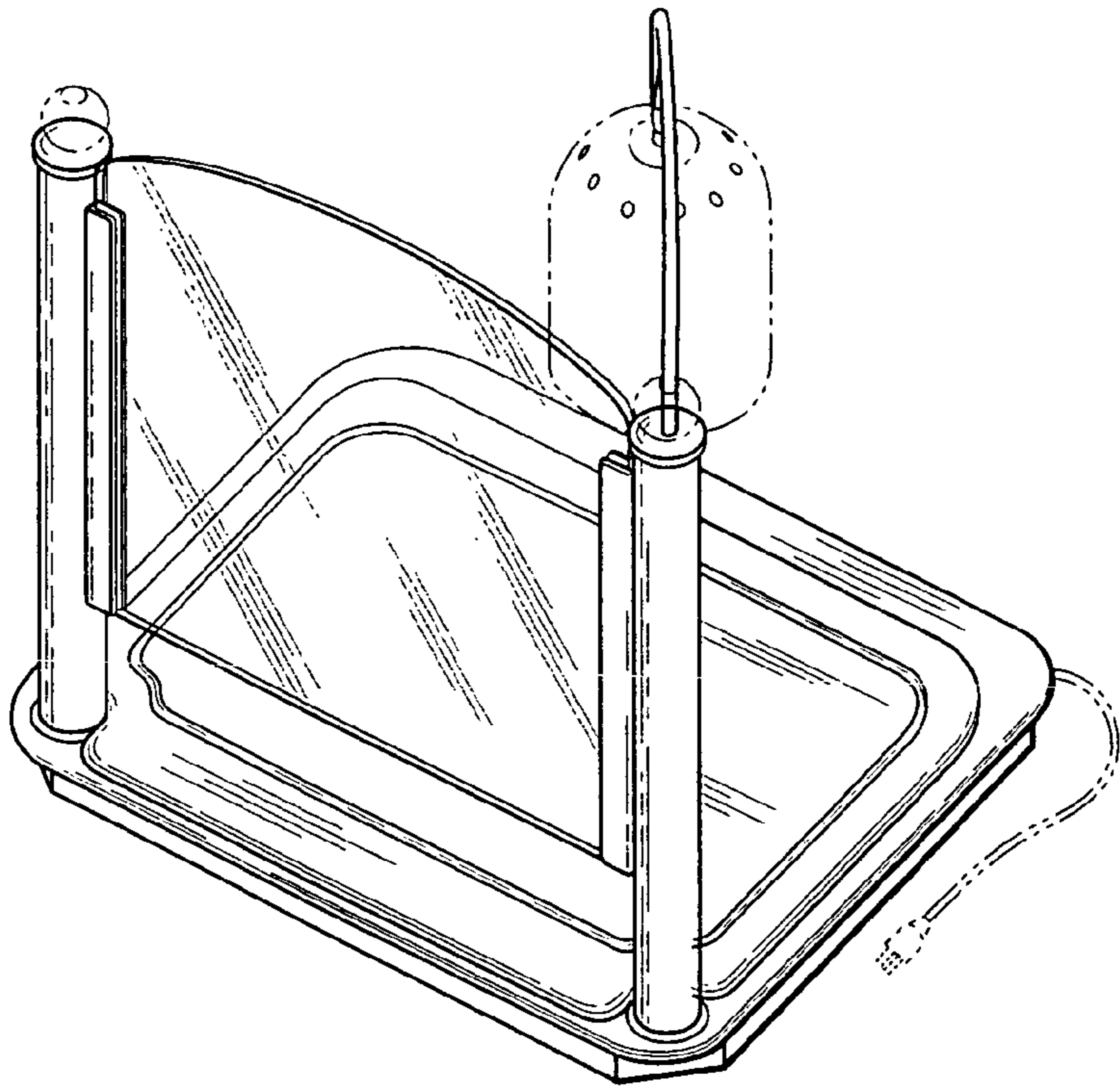
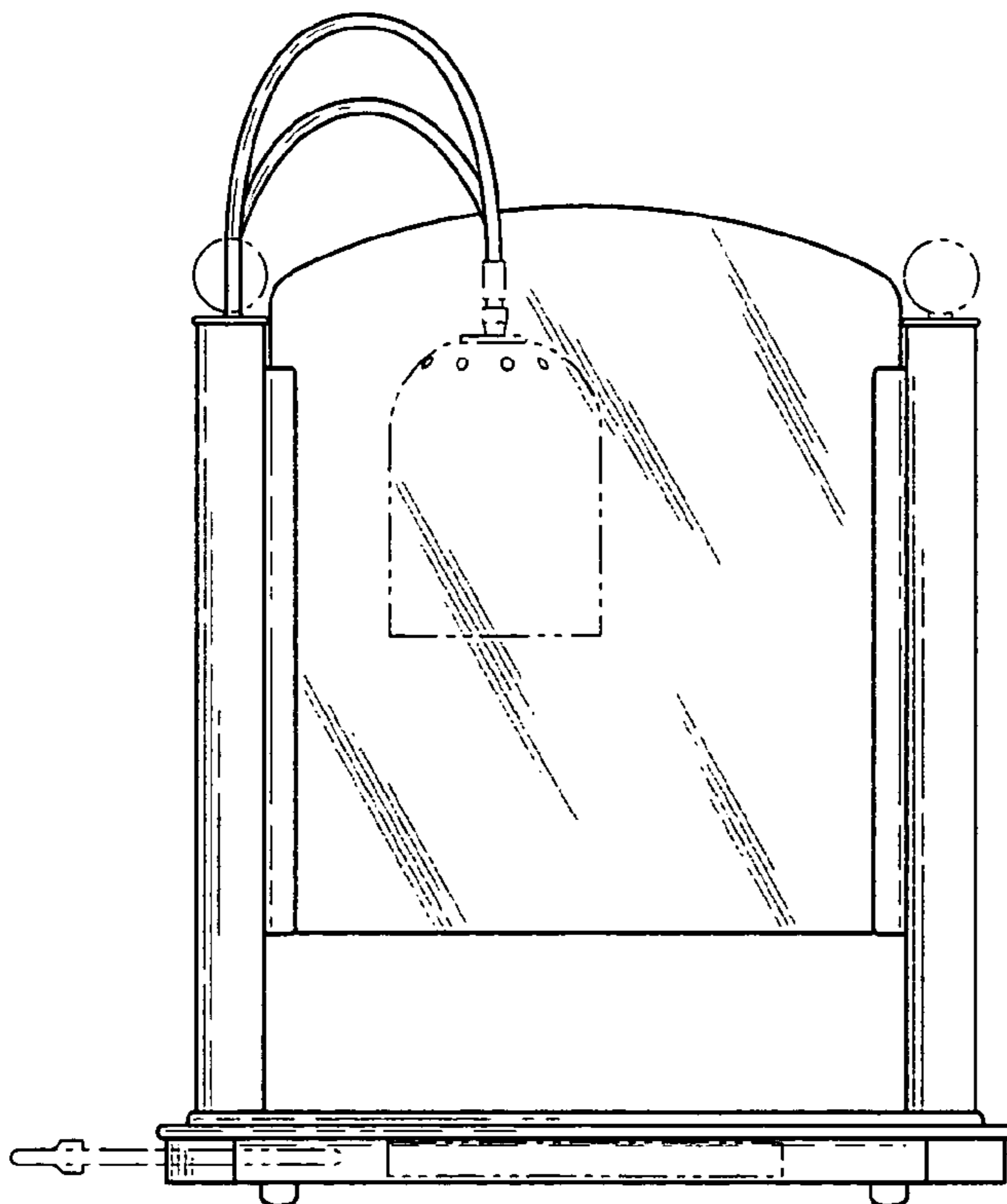


Fig. 23



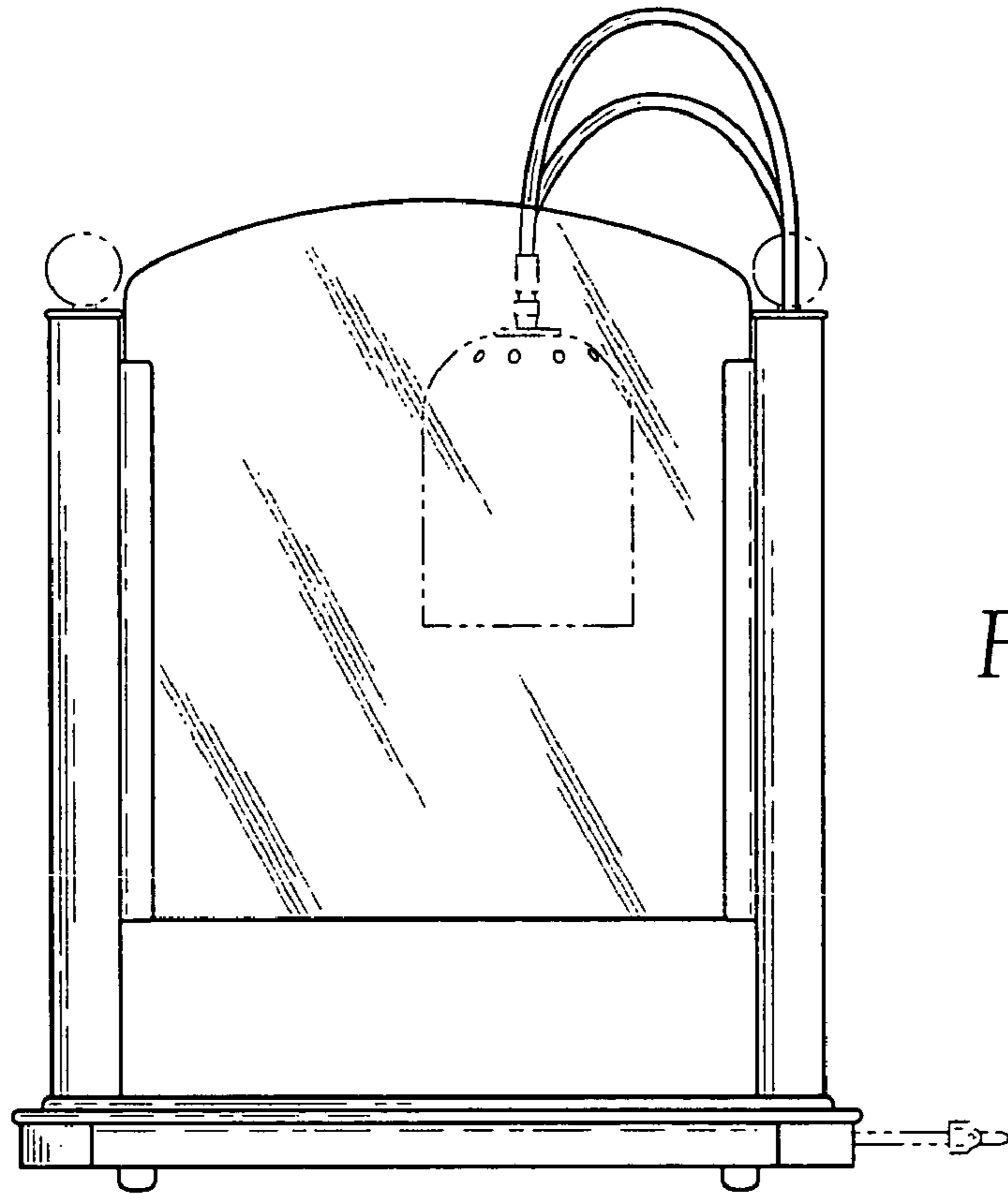


Fig. 24

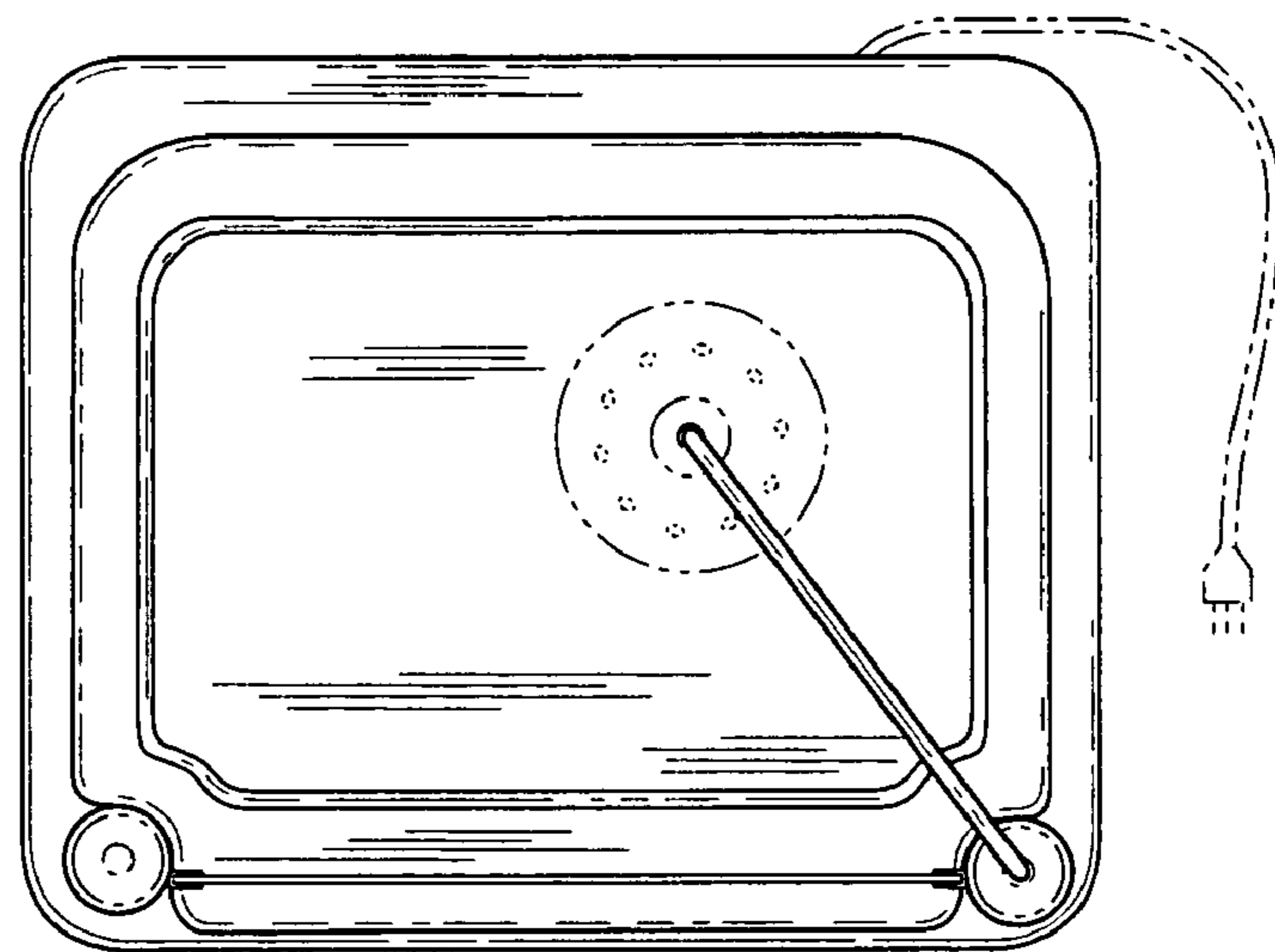


Fig. 25

Fig. 26

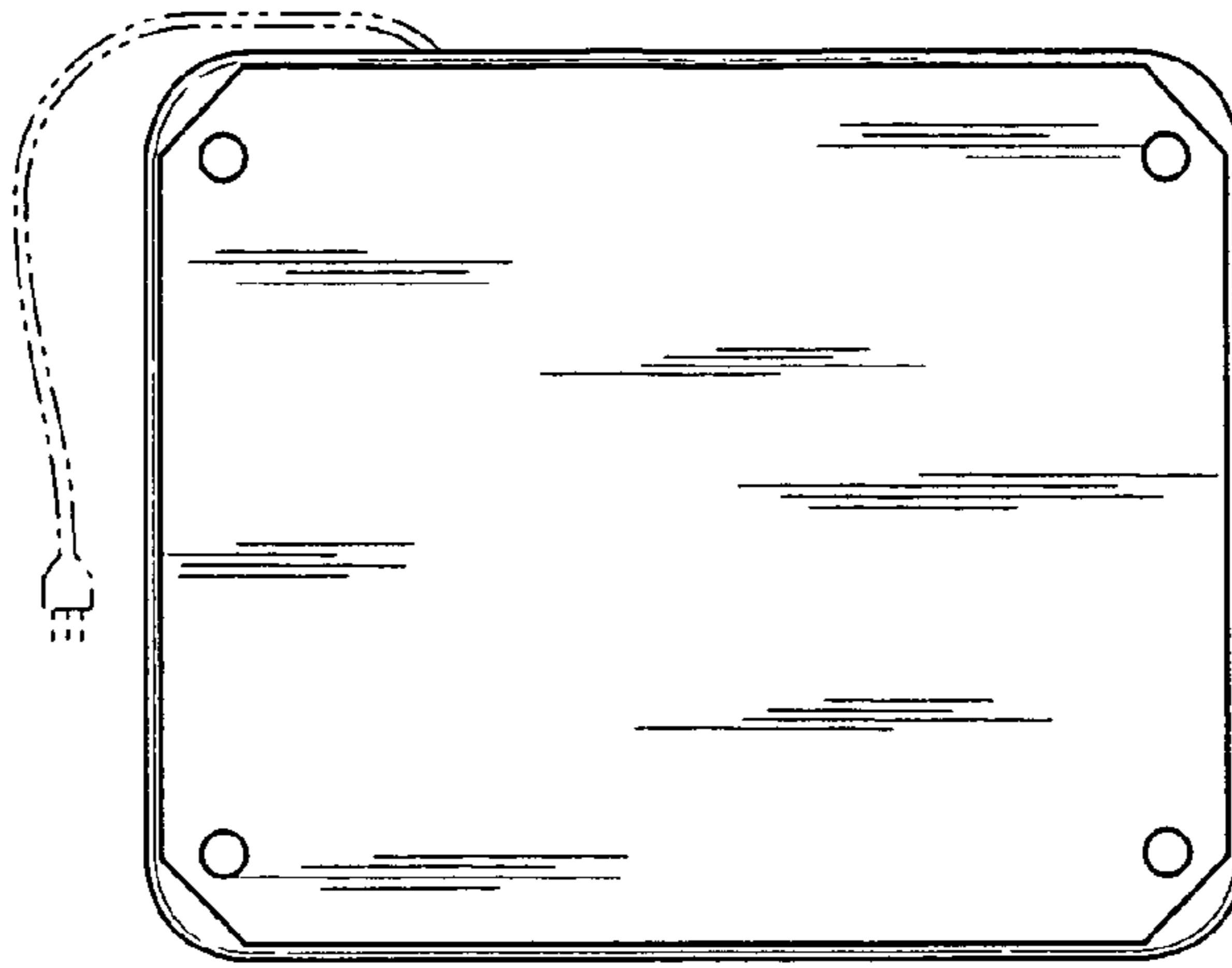


Fig. 27

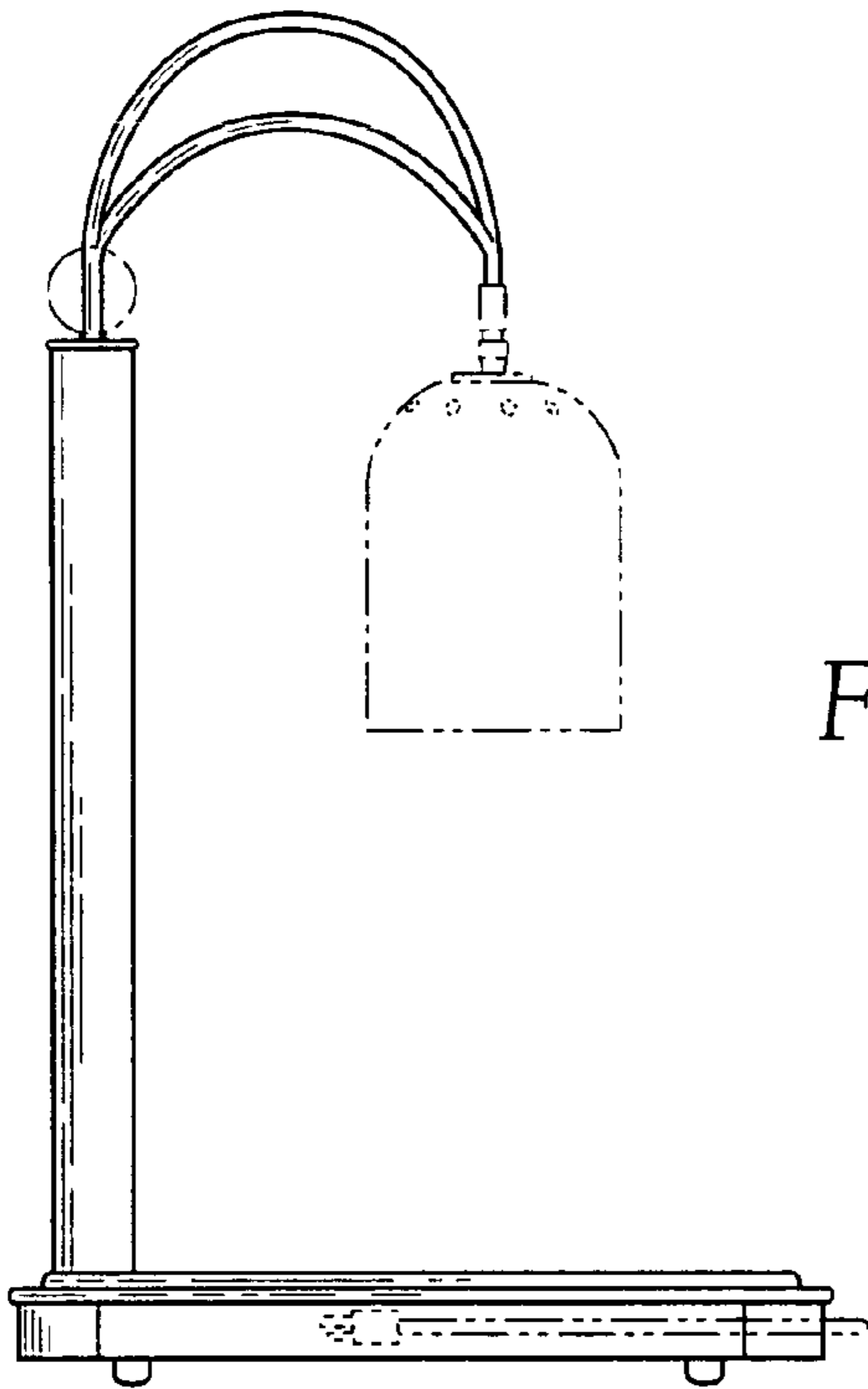


Fig. 28

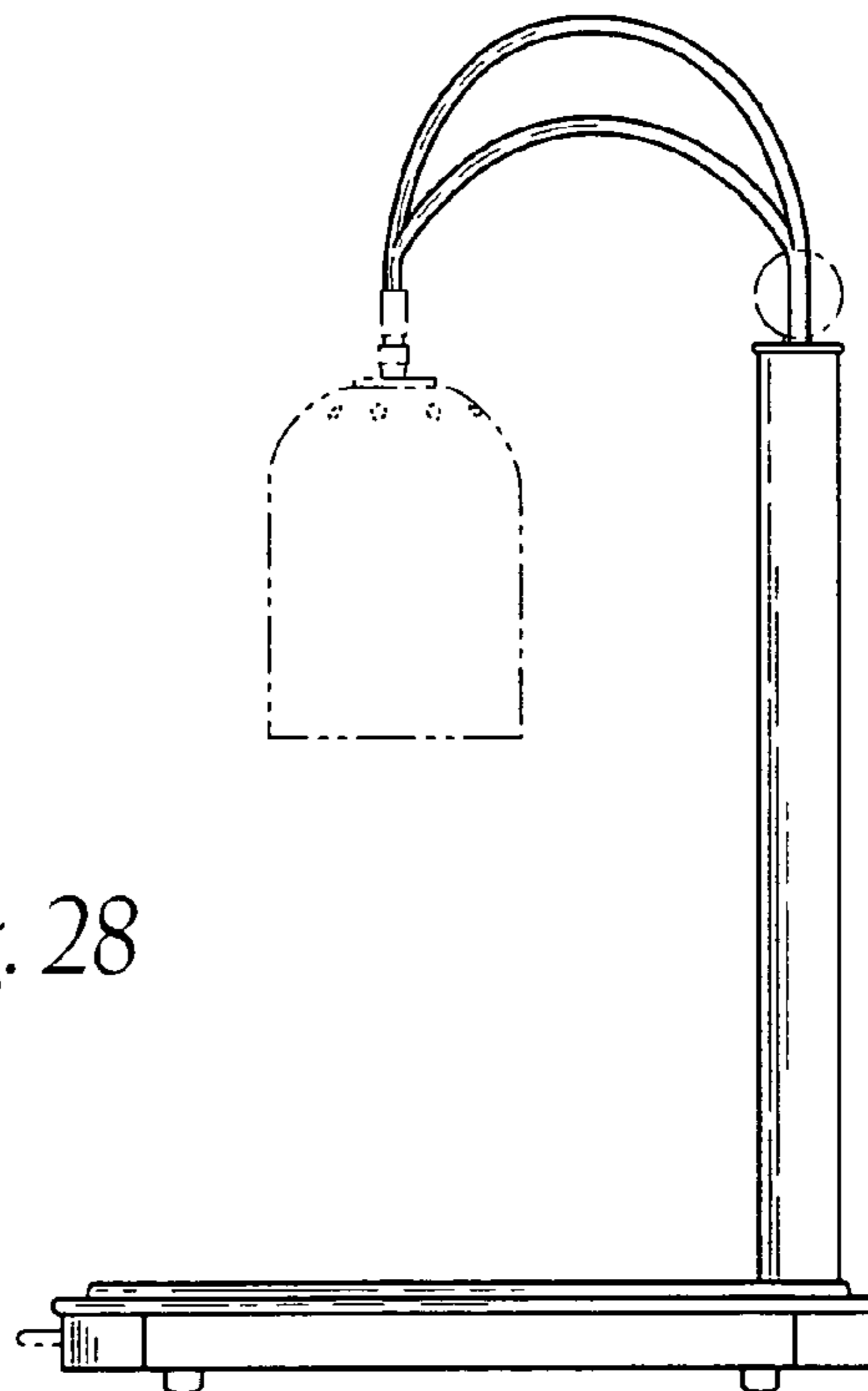


Fig. 29

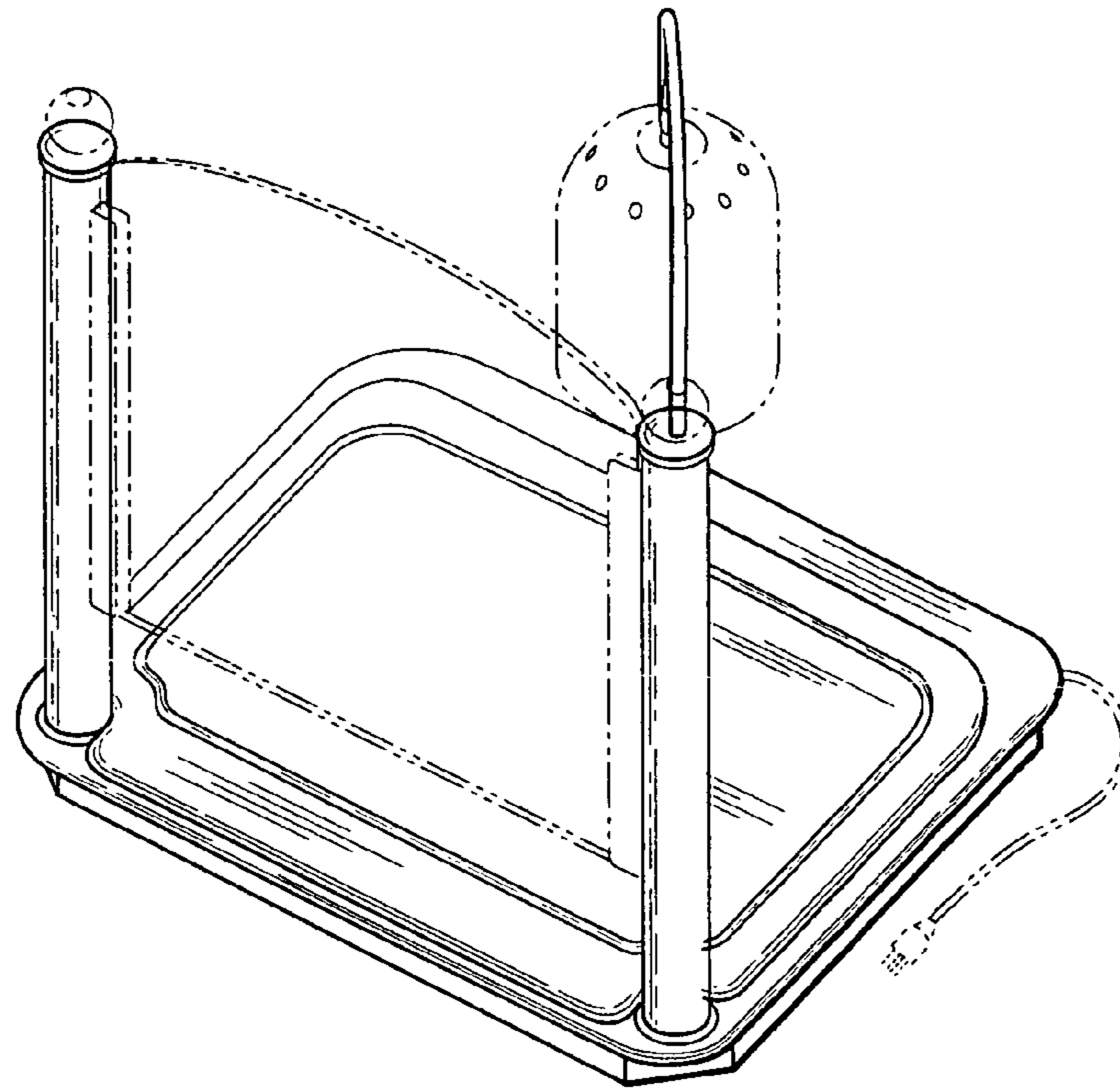
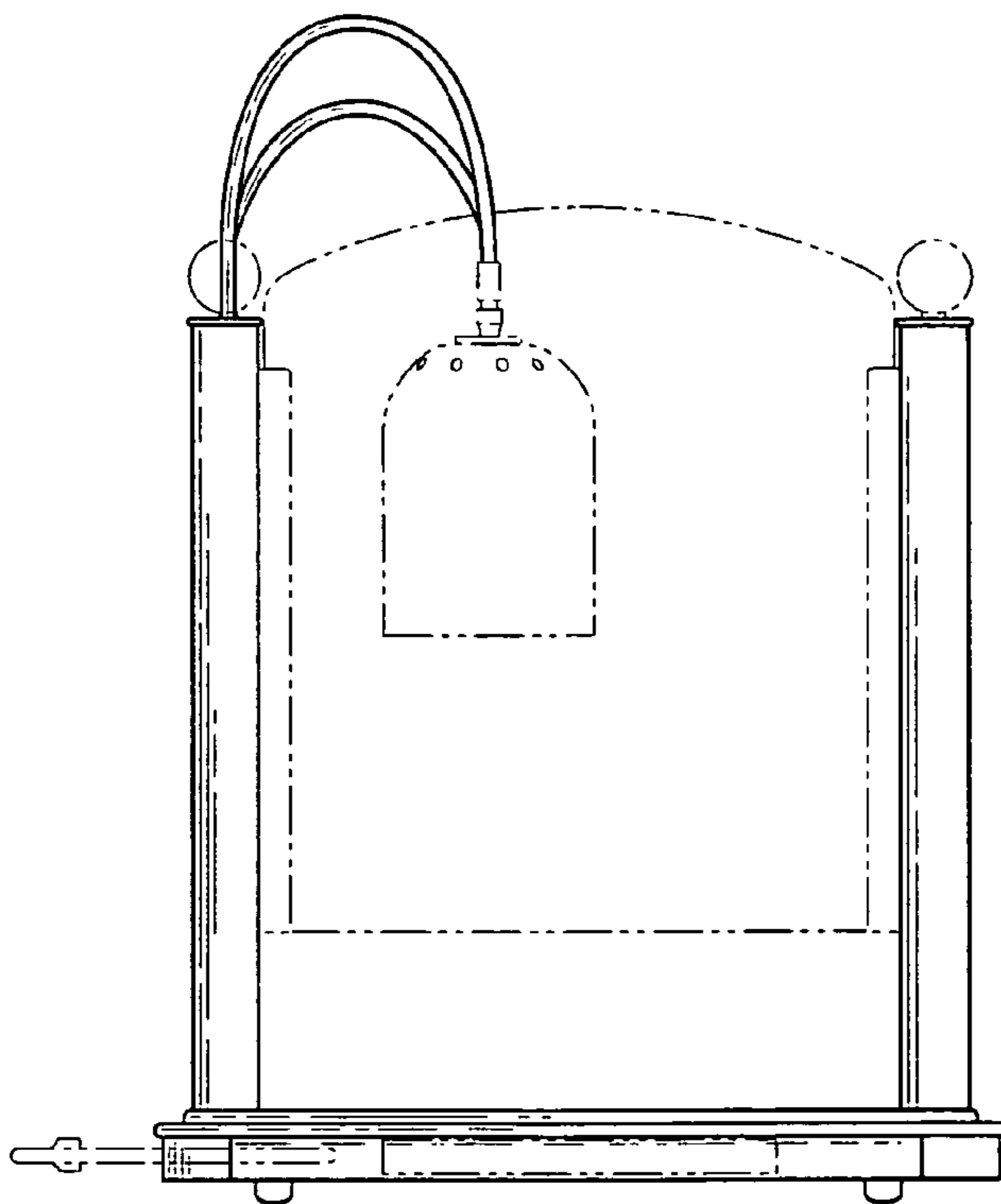


Fig. 30



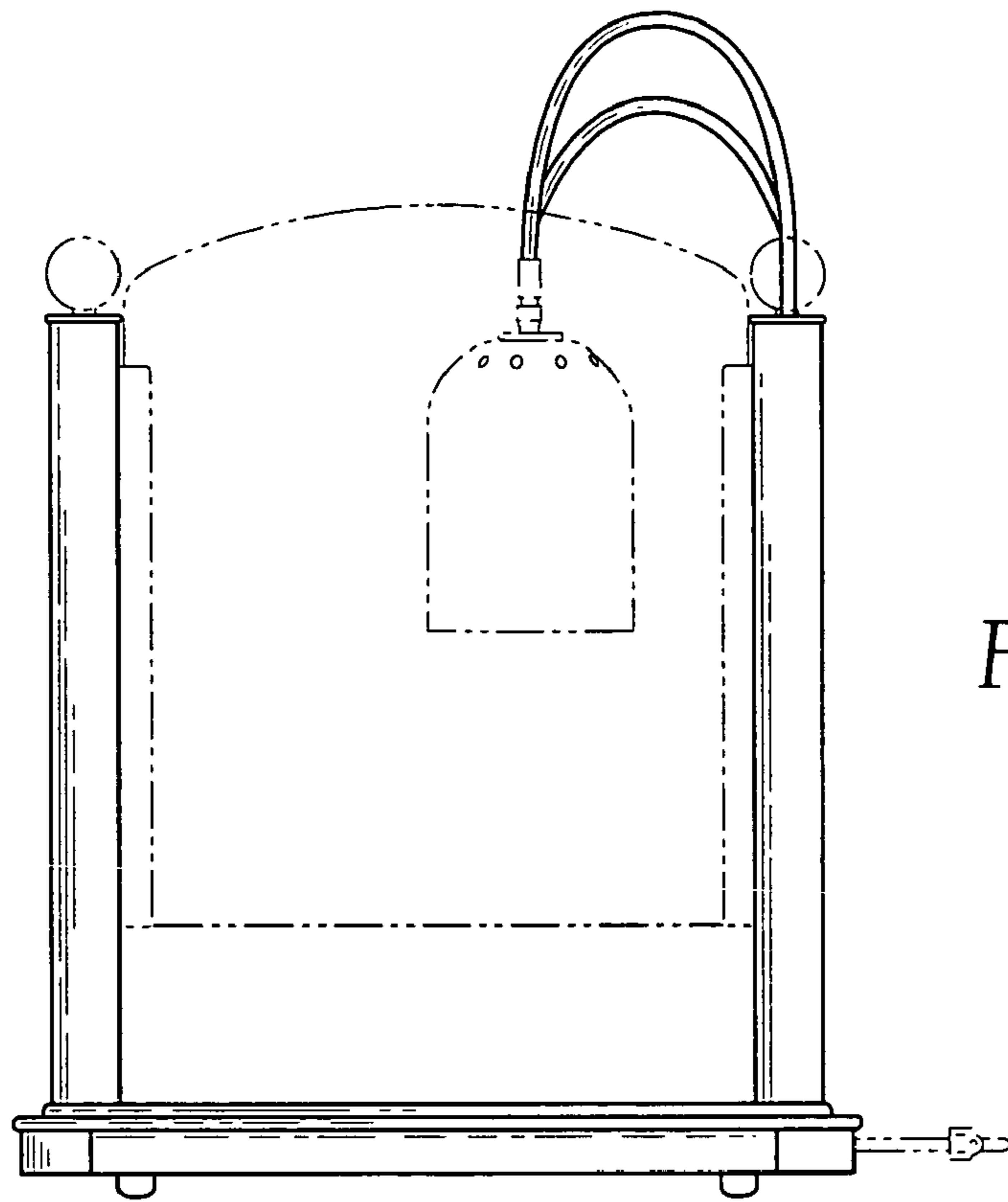


Fig. 31

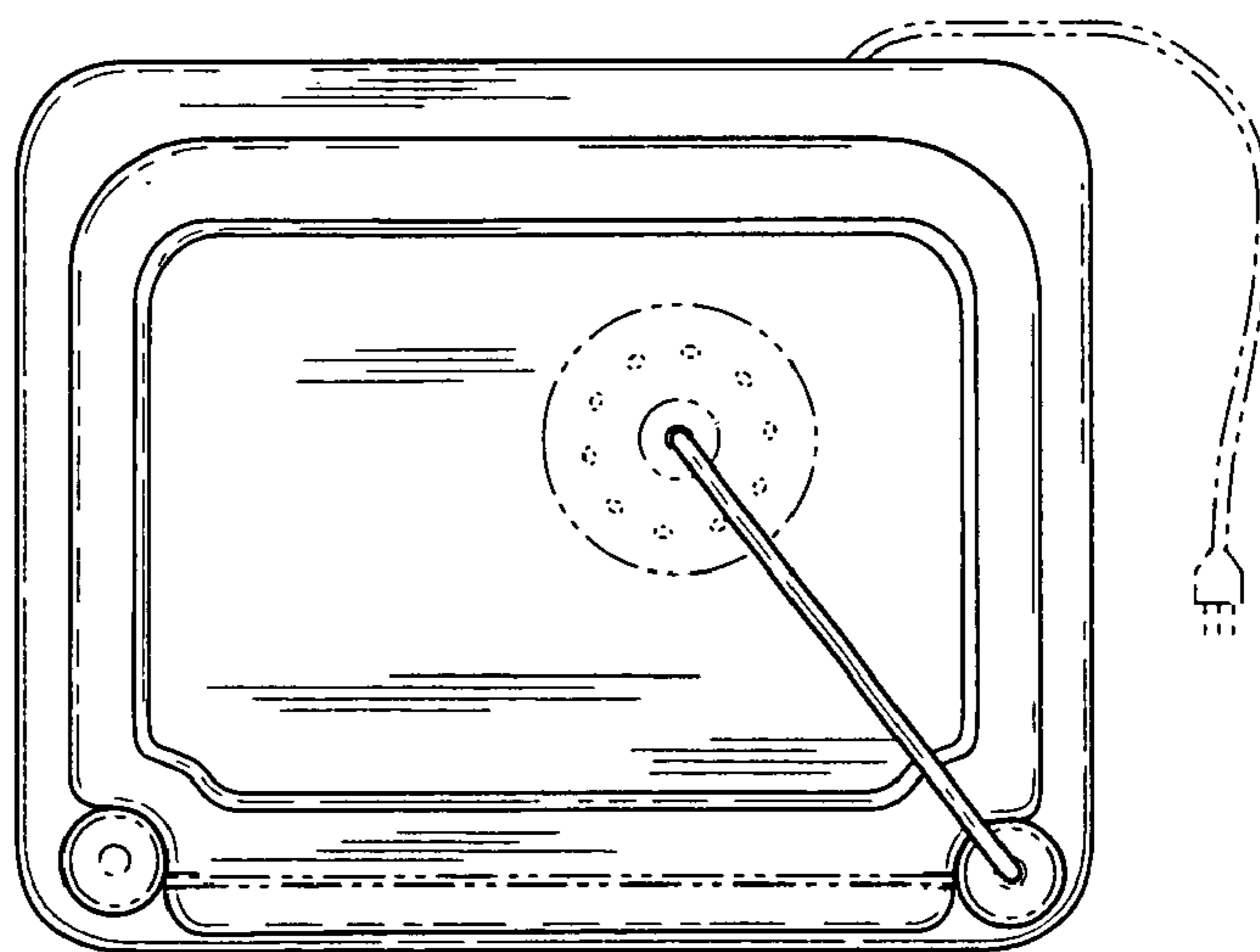


Fig. 32

Fig. 33

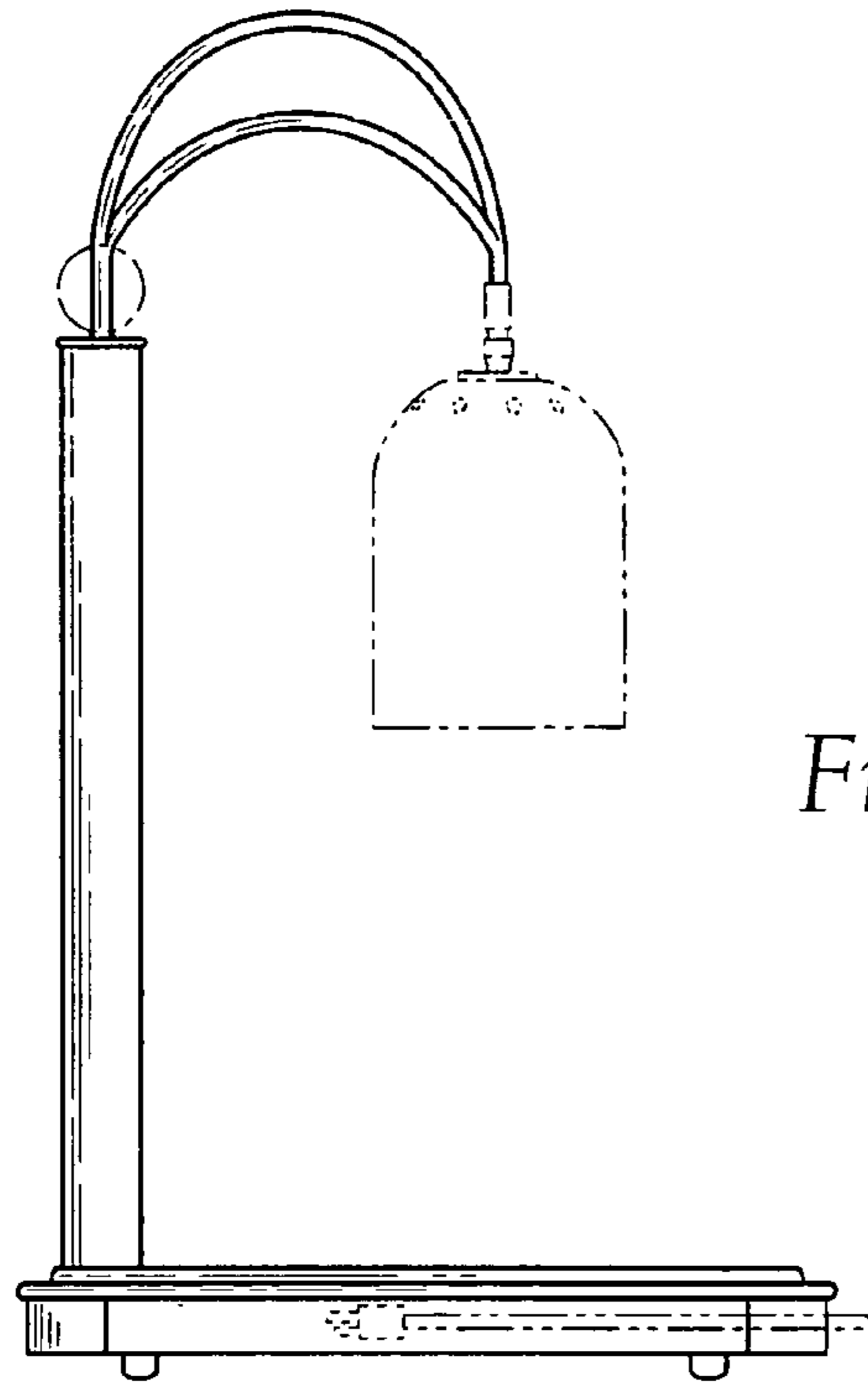
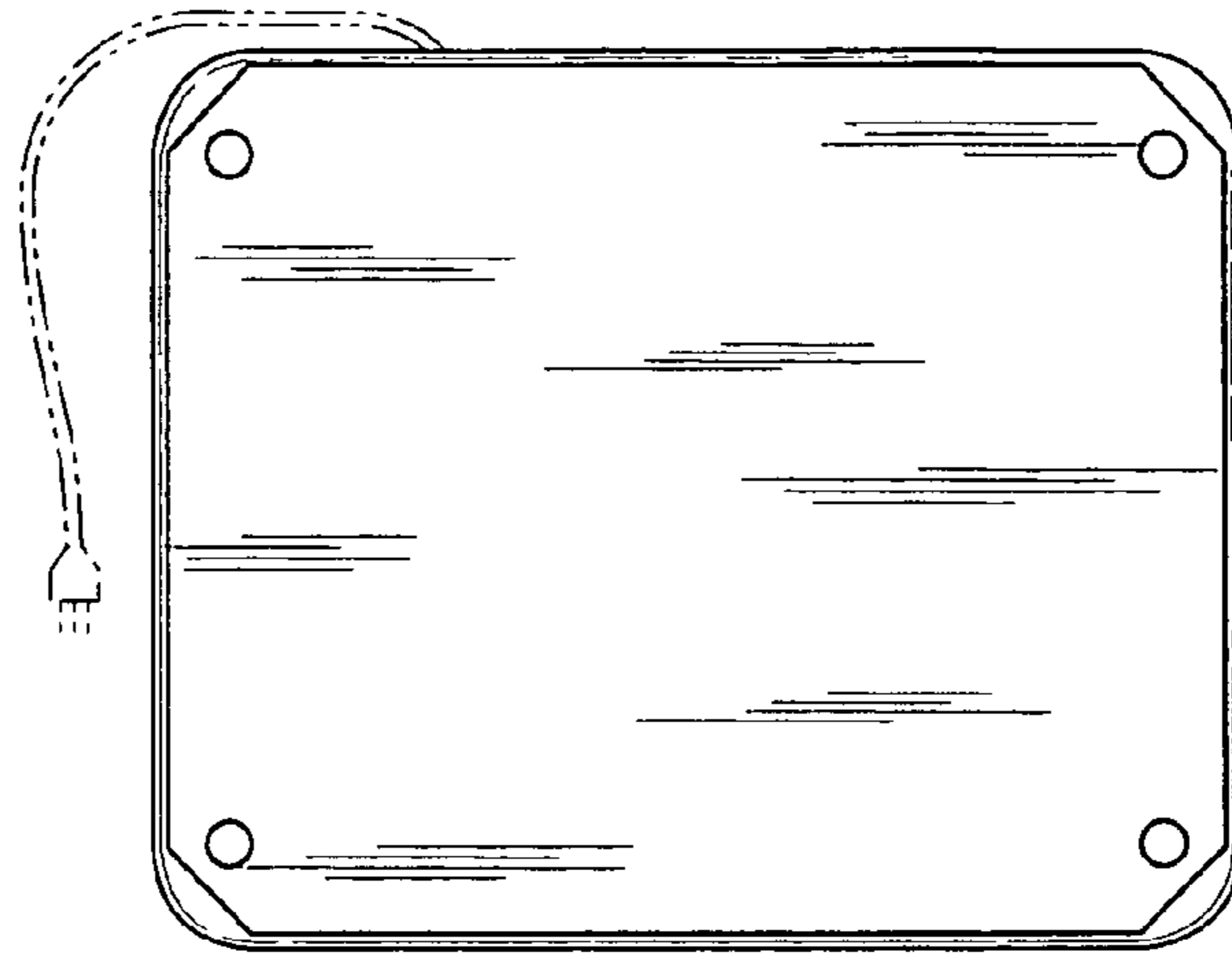


Fig. 34

Fig. 35

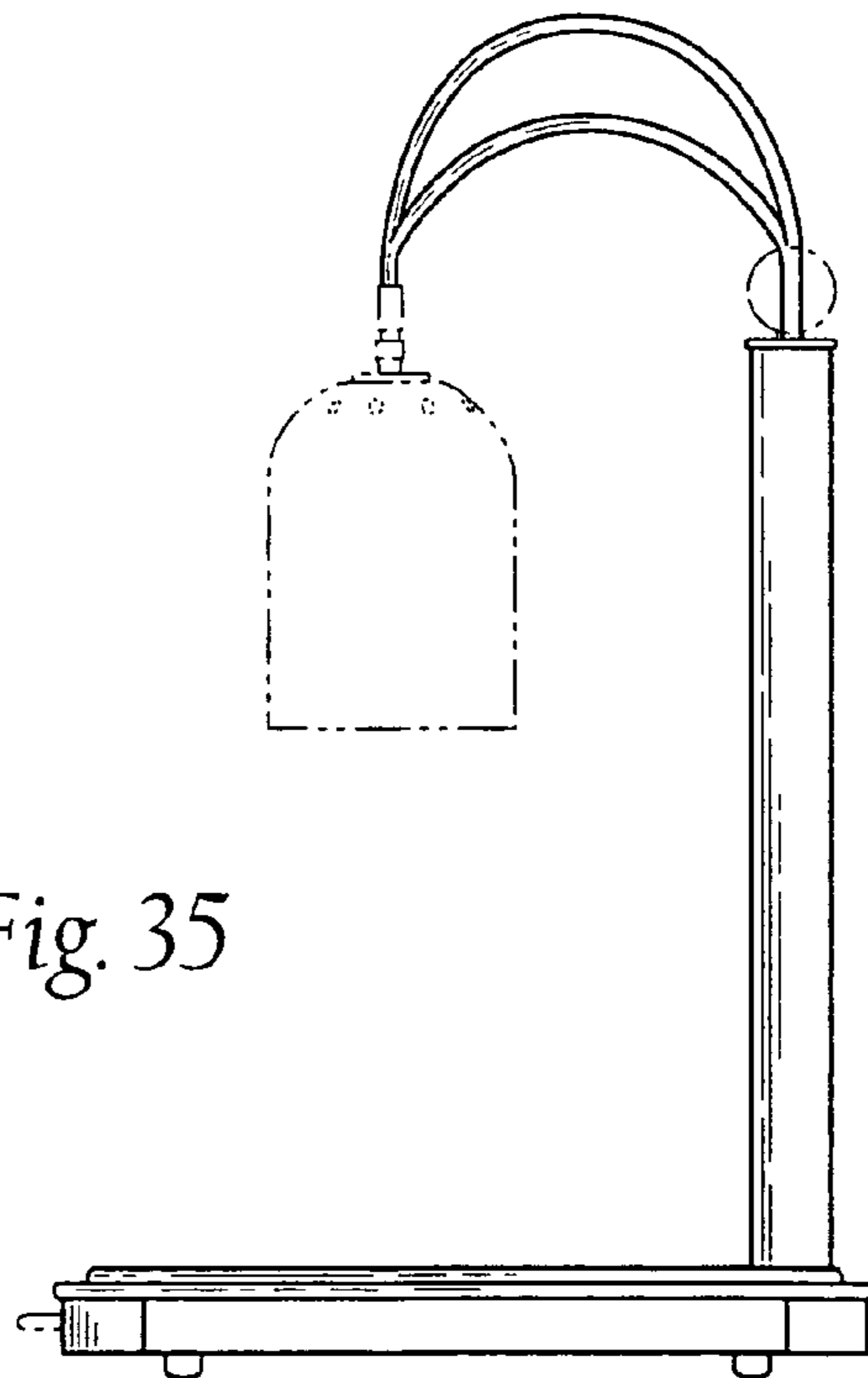


Fig. 36

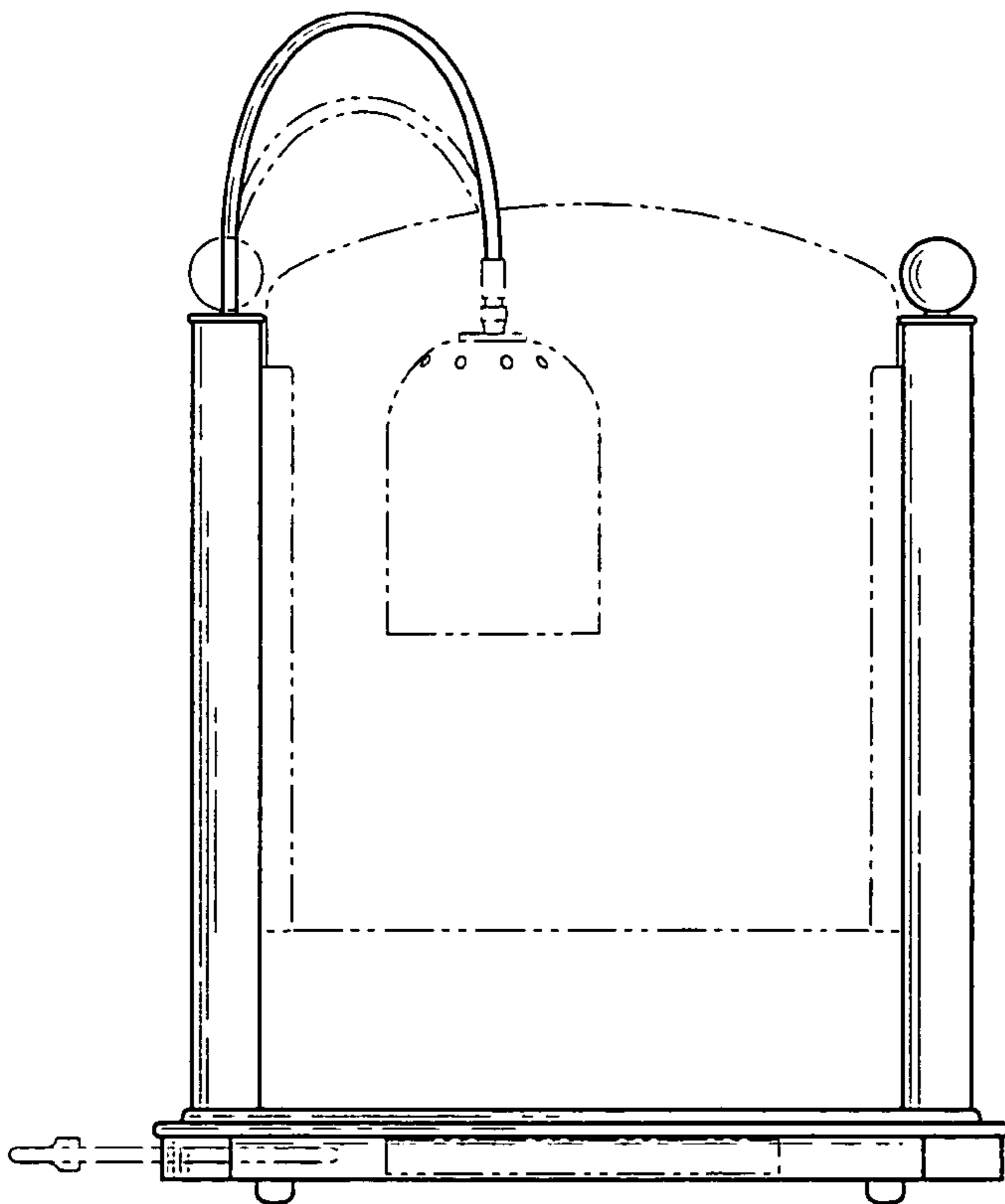
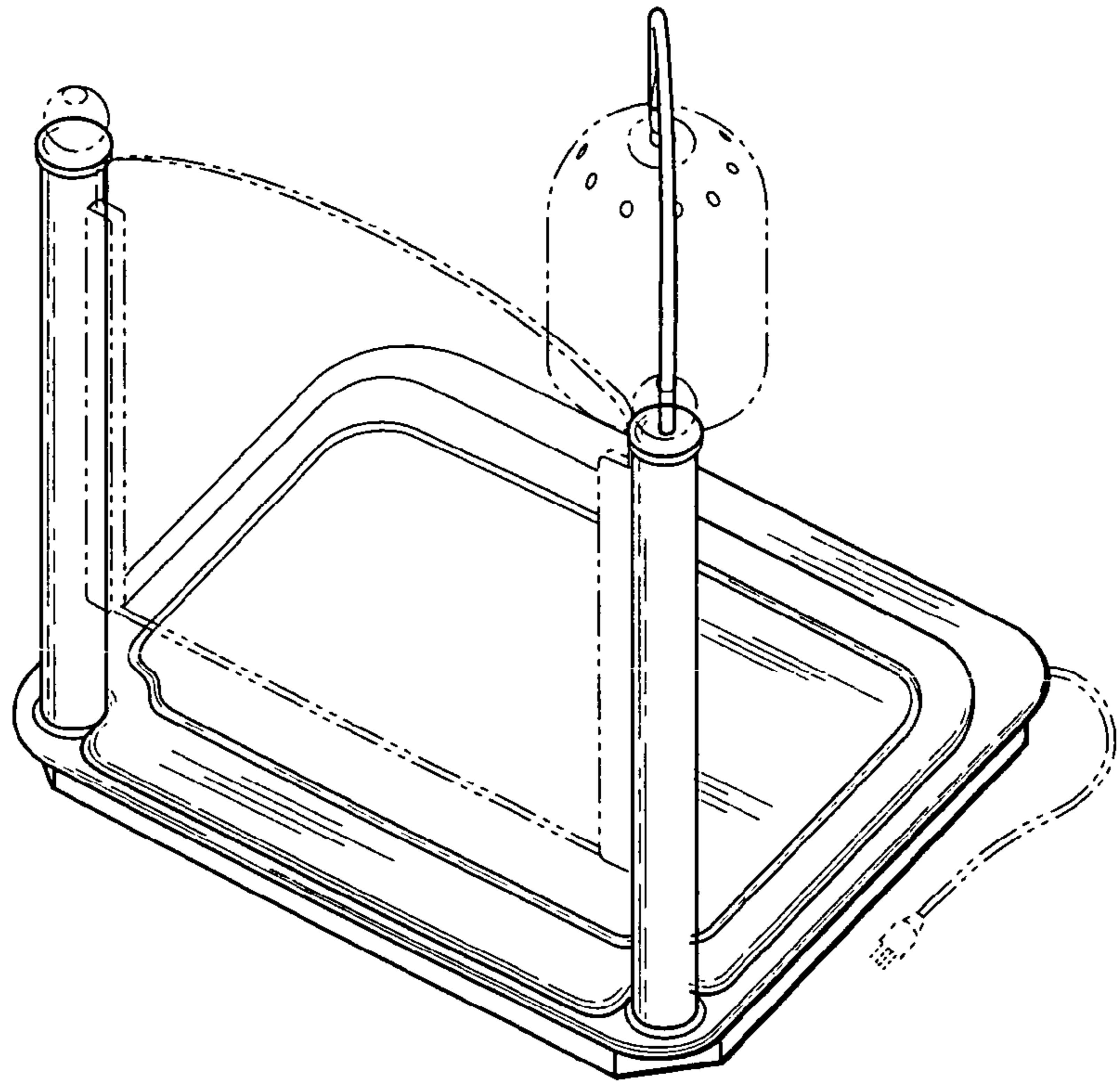


Fig. 37

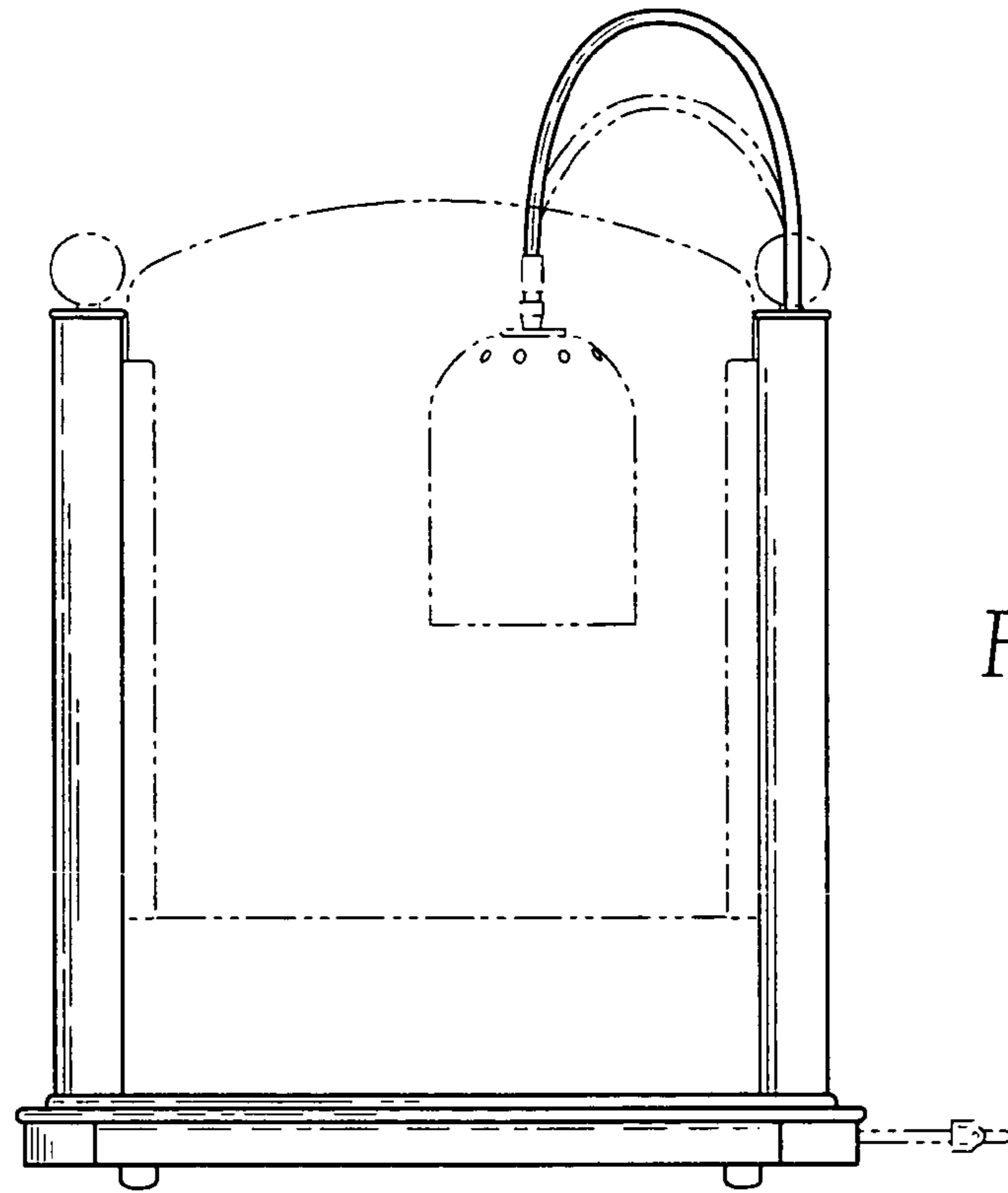


Fig. 38

Fig. 39

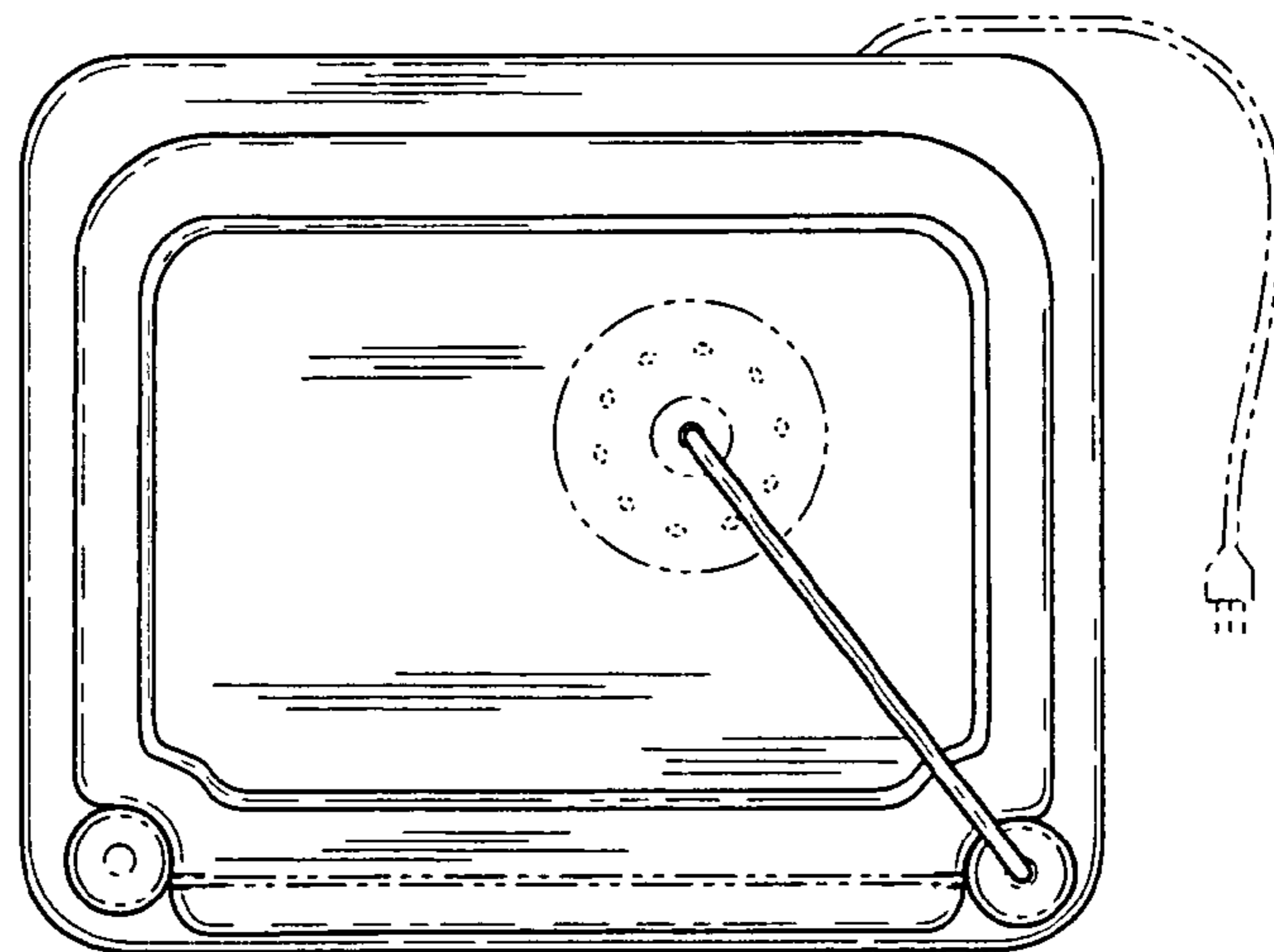


Fig. 40

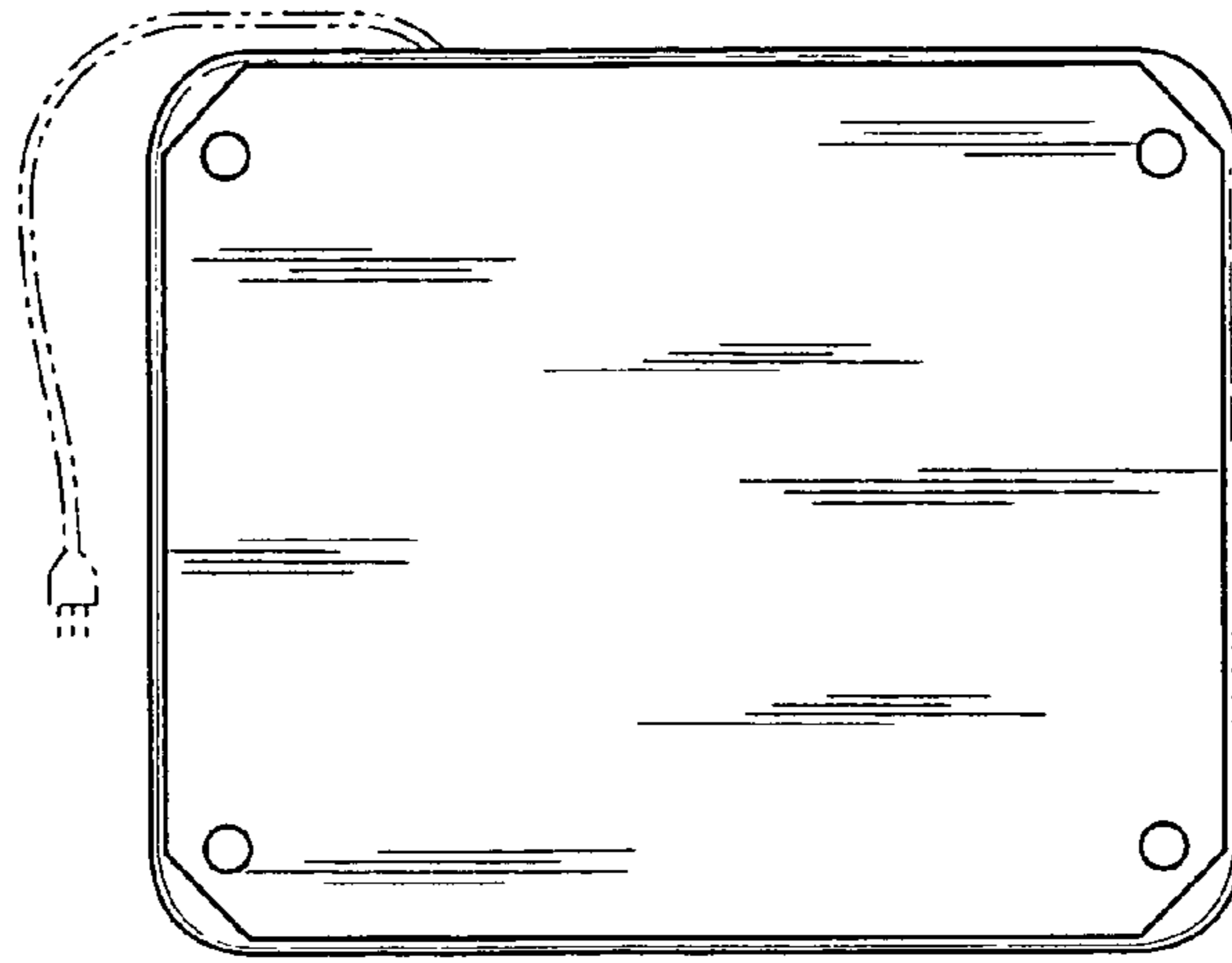


Fig. 41

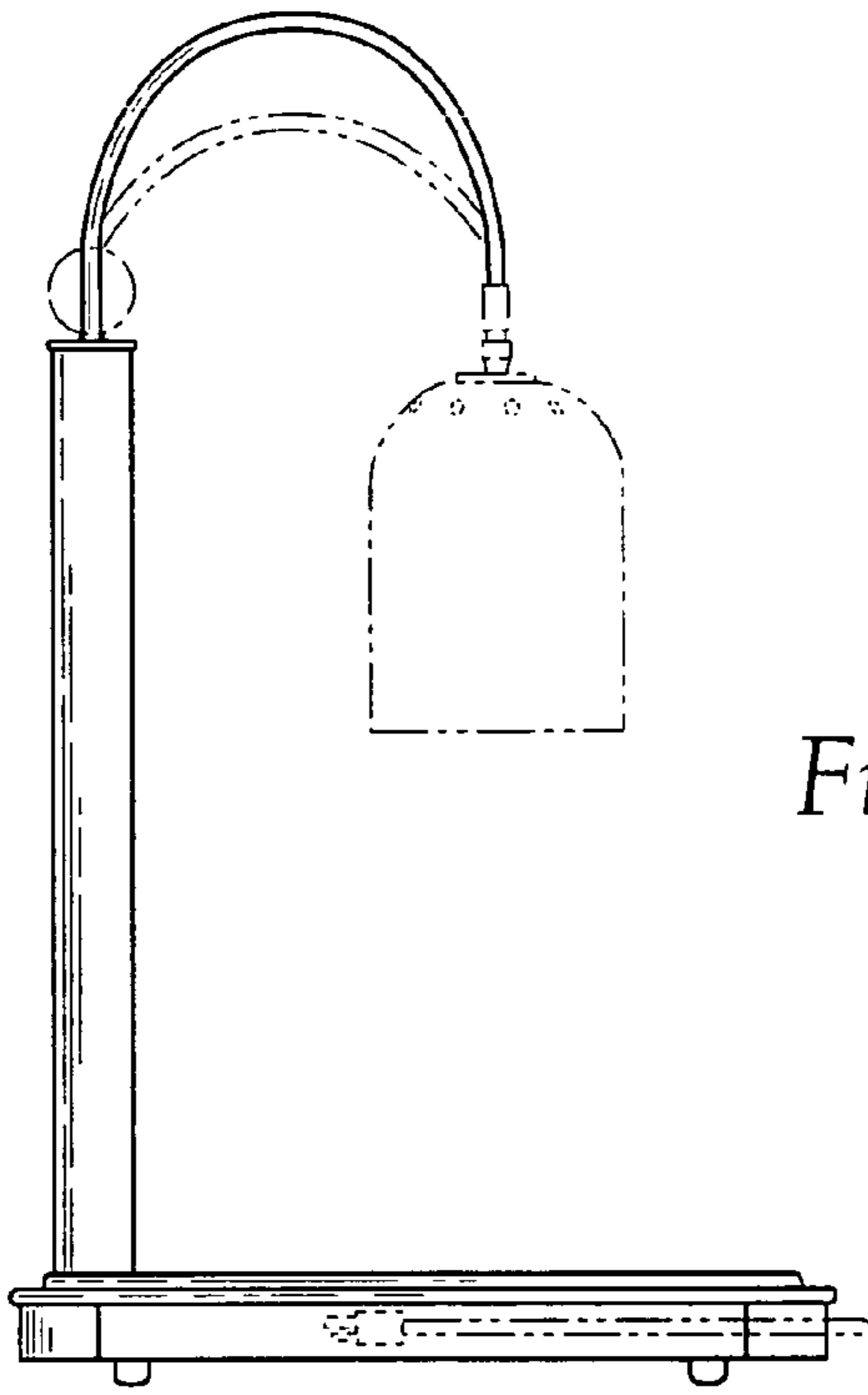


Fig. 42

